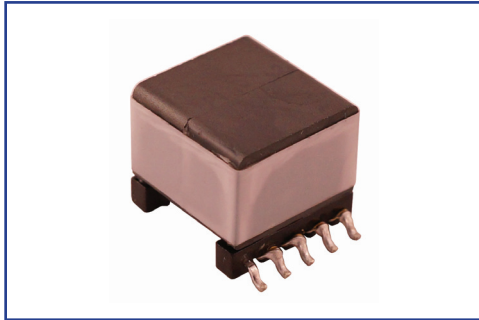


FLYBACK TRANSFORMERS



P613P SERIES



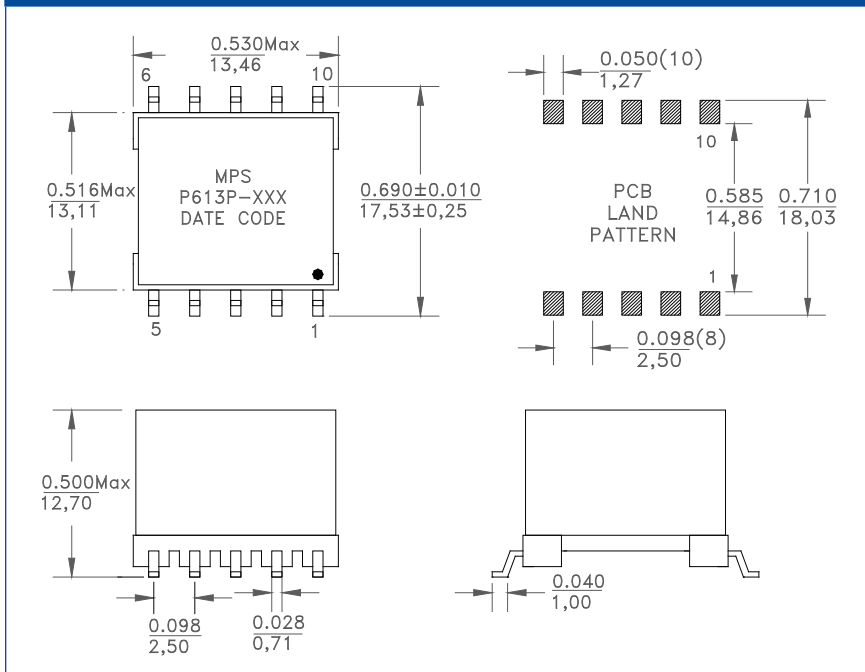
- Flyback transformers for 13 Watt and 25 Watt PoE applications
- Operating Frequency 250KHz
- Isolation 1500Vrms, 60 seconds (Pri, Aux to Sec)
- Operating Temperature -40°C to +125°C
- RoHS Compliant Product
- Custom Design Available

ELECTRICAL PARAMETERS @ 25°C

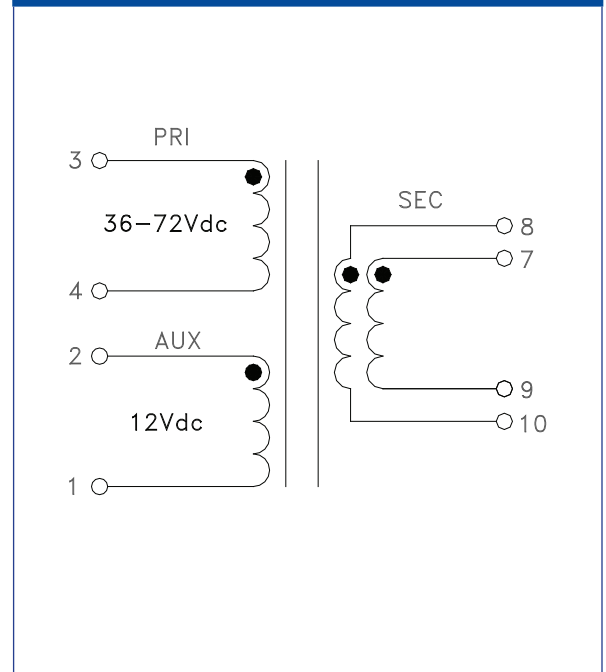
Part Number	Power (W)	Pri OCL (μH) ±10%	DCR (mΩ MAX)			Pri L _L (μH MAX)	Turns Ratio ±5%		Output Sec V / A
			Pri	Sec	Aux		Pri:Sec	Pri:Aux	
P613P-									
33A	13	127	0.255	0.024	0.31	1.25	1 : 0.116	1 : 0.50	3.3 / 4
50A	13	127	0.222	0.039	0.348	0.95	1 : 0.250	1 : 0.50	5.0 / 2.6
12A	13	127	0.200	0.065	0.308	0.65	1 : 0.500	1 : 0.50	12 / 1.08
19A	13	127	0.290	0.066	0.355	0.80	1 : 0.567	1 : 0.50	19.5 / 0.67
24A	13	127	0.255	0.067	0.315	0.60	1 : 0.667	1 : 0.50	24 / 0.54

- Note:**
1. Primary OCL measured @ 250KHz 0.7Vrms
 2. Primary Leakage L measured @ 250KHz 0.7Vrms with all Sec shorted
 3. DCR measured with windings in parallel
 4. Hi-pot: 1500Vrms, 1mA, 60s (Pri, Aux to Sec); 1800Vrms, 1mA, 5s (Pri, Aux, Core to Sec); 500Vrms, 1mA, 5s (between Pri, Aux, and Core)

DIMENSIONS



SCHEMATIC



Dimensions

Unless otherwise specified, all tolerances are:
 inch: XX : ±0.010 .XXX : ±0.005
 mm: X,X : ±0.254 X,XX : ±0.13

Product performance is limited to specified parameters. Data is subject to change without prior notice.

Tel: 310-325-1043
 Fax: 310-325-1044

www.mpsind.com
 sales@mpsind.com