

# OUTDOOR SPLIT CORE CURRENT TRANSFORMER



P4023

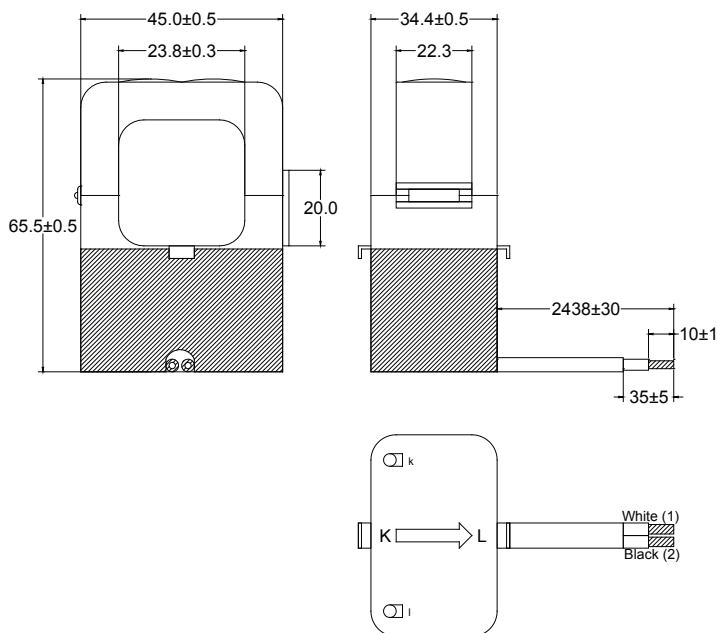


- 200A current transformer for measuring or monitoring current for control and/or load centers specifically designed for outdoor use
- Water resistant and UV protection
- Split core design allows easy installation mounting without removing existing cables
- High accuracy of 0.5% for precise current measurement
- Compact size for easy installation in tight spaces
- RoHS Compliant Product
- Custom design available

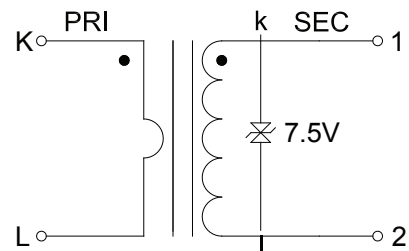
## ELECTRICAL PARAMETERS @25°C

<b>Rated Primary Current:</b>	200A NOM (250A MAX)	<b>Protection Level:</b>	7.5V peak
<b>Turns Ratio:</b>	1:2000±1%, (K-L):(1-2)	<b>Dielectric Withstanding Voltage:</b>	4kV, 1mA, 60s
<b>Current Ratio:</b>	200A/100mA	<b>Insulation Resistance:</b>	500Vdc/100MΩ Min
<b>Accuracy @ RL≤10Ω:</b>	0.5%	<b>Impluse Withstand Voltage:</b>	5kV Peak
<b>Phase error @ rated current range:</b>	≤1°	<b>Operating Temperature:</b>	-40 to +85°C
<b>DC Resistance:</b>	58Ω ±10%	<b>Storage Temperature:</b>	-40 to +90°C

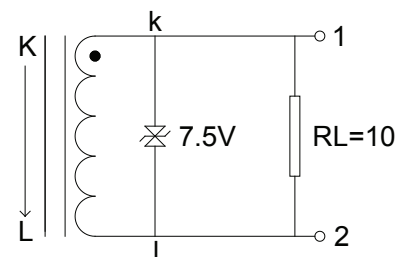
## DIMENSIONS (mm)



## SCHEMATIC



## TEST CIRCUIT



### Dimensions

Unless otherwise specified, all tolerances are:  
 inch: XX : ±0.010 .XXX : ±0.005  
 mm: X,X : ±0.254 X,XX : ±0.13

Product performance is limited to specified parameters. Data is subject to change without prior notice.

Tel: 310-325-1043  
 Fax: 310-325-1044

www.mpsind.com  
 sales@mpsind.com