

**Features :**

- Constant Current output suitable for HB-LED applications
- Compatible with Triac(LE) and ELV(TE ) dimmer Control
- Suitable for Dry , Damp locations
- Convection Cooled in plastic housing
- UL8750 Class 2 certified, Comply to FCC Class B
- RoHS Compliant
- Five Years Warranty(Lifetime:40,000Hrs at Tc=75°C)



**Specifications :**

Pending **UL<sup>®</sup>us** **FC** **IP66**

AC Input :90~135Vac 0.35A,47~63Hz	Load Regulation :+/-5%,Turn on time: <1.5 Sec.
Input Inrush Current :<10A/115Vac	DC Output Ripple/Noise p-p : 10%
Power Factor : >0.92 at 60~100% load, w/o dimmer connected	Protection: OCP,SCP,OVP,OTP(CC limit) - Auto Recovery
Surge Immunity(IEC61000-4-5) : 2.5KV	Operation Temp. : -40°C ~ +50°C , Tc : 80 °C
Total Harmonic Distortion(THD) : 20% Max. w/o dimmer	Storage Temp. : -40°C ~ +85°C
Efficiency : 85% typ. at full load	MTBF(@50°C) : >50,000 Hours,MIL-217F
Min.Output loading : 15 watts (When AC dimming)	UL8750 Class 2 certified, FCC B compliant
Dimming range : 10 ~100% at full load	Dimension : 80(R),26(H)mm , Weight : 200 Grams typ.

**Model List :**

Model	Constant Current Model (Max.)		Watts Max.	Compatible dimmer List
	Forward Volts(Vf)	Constant Current(±5%)		
LT1026-Y28-Cnnnn	28V	928mA	26W	Leviton-DVF103P(85%),SELV300P(95%),IP1106(92%),IP110(88%)
LT1026-Y28-Cnnnn	18V	1400mA	26W	6633P(92%),6311(91%),VP106(84%)
LT1026-Y42-Cnnnn	42V	619mA	26W	Lutron-SEVL-300P(85%),DVWCL153PHWH(80%),MA600(81%)
LT1026-Y42-Cnnnn	28V	900mA	26W	CTCL153PDHWH(82%),TG600PRWH(83%),S600PRWH(84%)
LT1026-Y52-Cnnnn	52V	500mA	26W	Panasonic-NQ20345(95%),WT57615WK(89%)
LT1026-Y52-Cnnnn	43V	600mA	26W	

**note1:**The output current will be reduced between 5% ~ 20% while connecting to dimmer. Please refer to compatible dimmer listing.

**Model Information :**

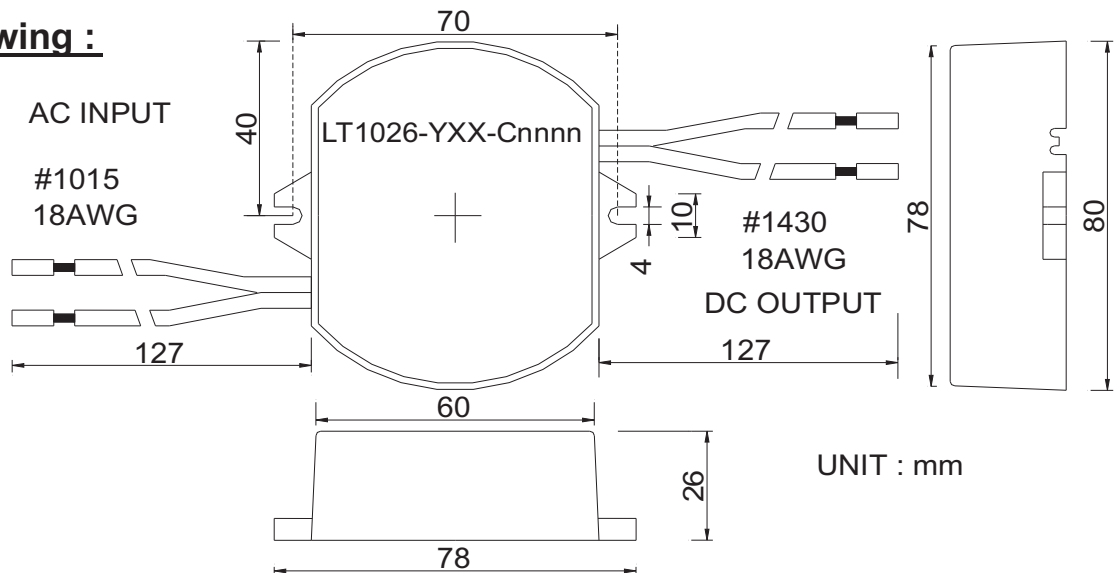
LT1026- YXX- Cnnnn

LT1026 = LT1026 series for Triac AC Dimming.

Y = 1-115Vac, AC Input , XX = 28, 42, 52 ( Max.forward voltage[Vdc] )

Cnnnn = Constant Current Limit.

**Mechanical Drawing :**



UNIT : mm