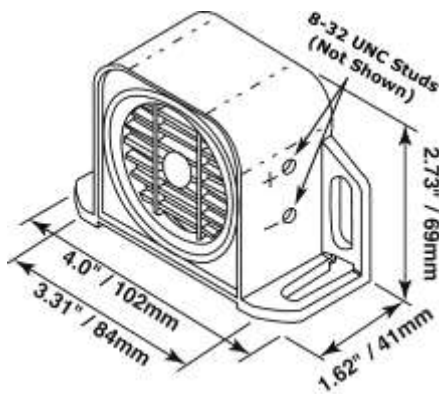


# Product APPLICATION Guide

## Mallory Back-up Alarm Models

UL File # YCFT2.AU2389 (U.S.); YCFT8.AU2389 (Canada)

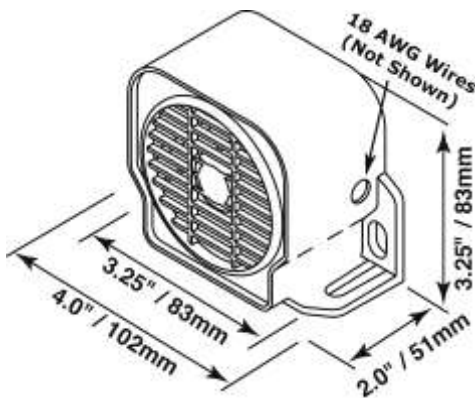


### STA20302 & STA20502

#### Features

- < 0.6 Average Amp Draw
- Polarity Protected
- Spike Protected: +100 / -400 Volts
- UL Recognized; CE Certified
- 8-32 UNC Stud Terminations

Model Number	Voltage Range	Sound Level (dB) @ 4 ft	SAE J994 Type	Cross Reference List	
				ECCO P/N	PRECO P/N
STA20302	12 to 24 Vdc	87 dB	D	505	225
STA20502	12 to 24 Vdc	97 dB	C	510 & 520	240



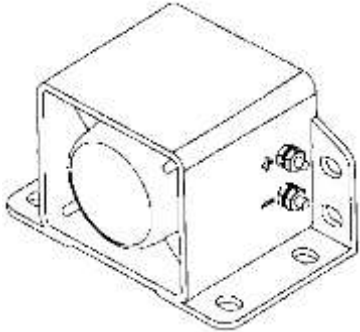
### STA22702W

#### Features

- < 0.8 Average Amp Draw
- Polarity Protected
- Spike Protected: +100 / -400 Volts
- UL Recognized; CE Certified
- 18 AWG; 10.5" Wire Terminations

Model Number	Voltage Range	Sound Level (dB) @ 4 ft	SAE J994 Type	Cross Reference List	
				ECCO P/N	PRECO P/N
STA22702W	12 to 24 Vdc	107 dB	B	575	270

# Back-up Alarm Models (Con't)

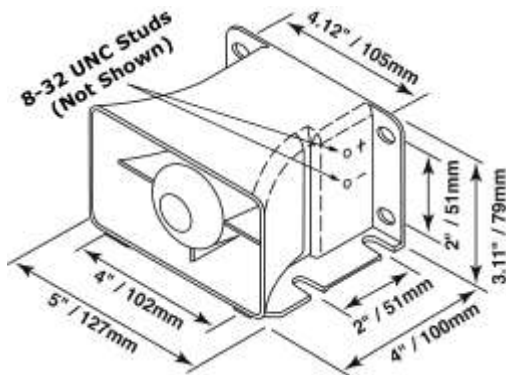


## STA32264A

### Features

- < 0.6 Average Amp Draw
- Polarity Protected
- Spike Protected: +100 / -400 Volts
- UL Recognized; CE Certified
- 8-32 UNC Stud Terminations

Model Number	Voltage Range	Sound Level (dB) @ 4 ft	SAE J994 Type	Cross Reference List	
				ECCO P/N	PRECO P/N
STA32264A	12 to 48 Vdc	82 to 102 dB (Self Adjusting)	None	SA931	1048



## STA35802

### Features

- < 0.8 Average Amp Draw
- Polarity Protected
- Spike Protected: +100 / -400 Volts
- UL Recognized; CE Certified
- 8-32 UNC Stud Terminations

Model Number	Voltage Range	Sound Level (dB) @ 4 ft	SAE J994 Type	Cross Reference List	
				ECCO P/N	PRECO P/N
STA35802	12 to 24 Vdc	112 dB	A	850	380

Call 317-612-1000 or Visit [www.mallory-sonalert.com](http://www.mallory-sonalert.com) for More Details