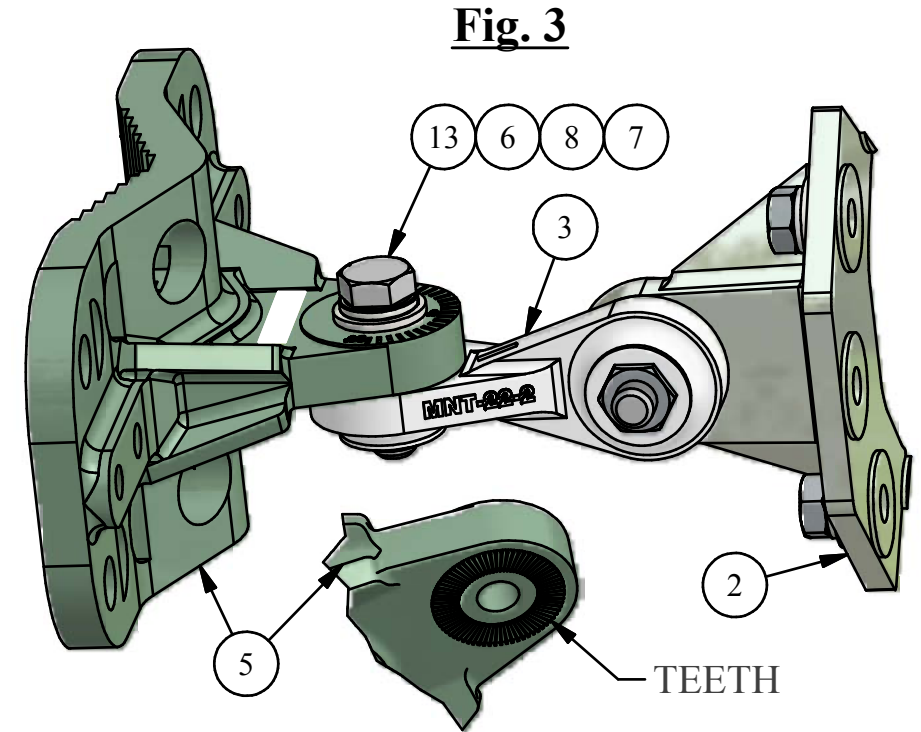
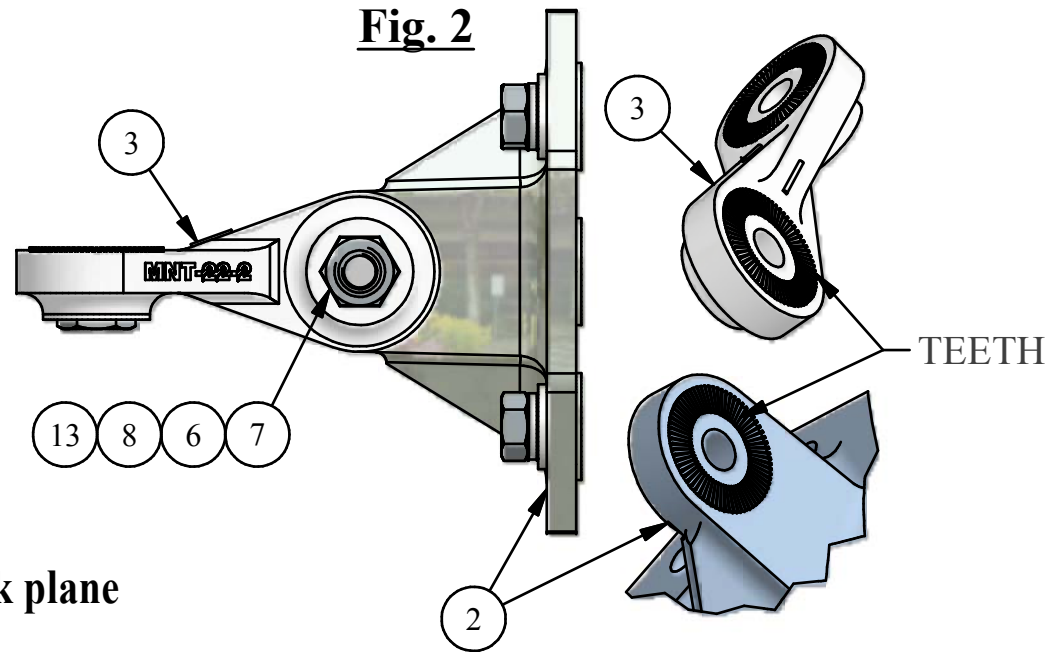
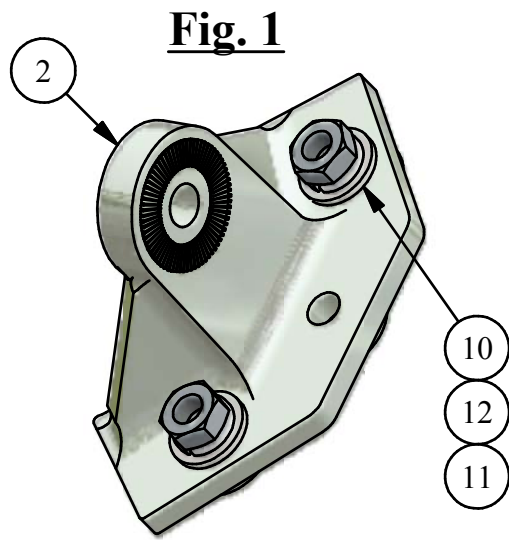


# Mounting instructions - Azimuth and Elevation Adjustable Mount MNT-23 REV. 3



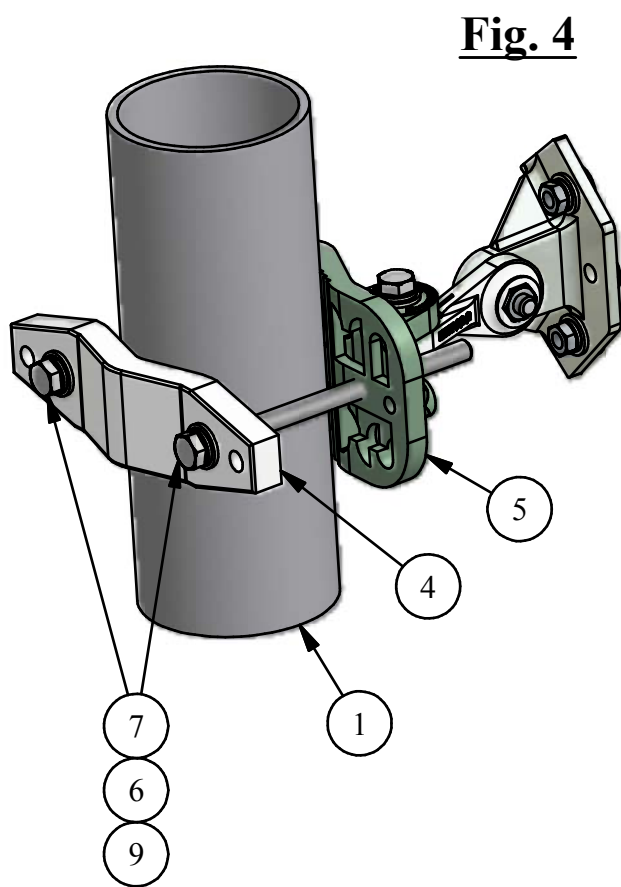
1. Align holes of item 2 with 2 studs on back plane of the antenna (not shown).

2. Connect item 2 to the antenna with spring washers (11), plain washers (10) and nuts (12).

3. Tighten the nuts at a torque of 30 Lbs x In.

4. Align item 3 with item 2 so teeth of item 2 face teeth of item 3. Connect with items 6, 7, 8, 13. Leave screw slightly loose.

5. Align item 5 with item 3 so teeth of item 5 face teeth of item 3. Connect with items 6, 7, 8, 13. Leave screw slightly loose.



6. Attach items 4, 5 to the pole as illustrated, and connect them using items 6, 7, 9.

7. Close screws (9) one and another in turn up to tightening torque of each screw is 30...35 Lbs x In.

8. Distance between ends of items 4, 5 on one and another side must be equal. NO SKEWNESS ALLOWED.

9. Adjust the desired angle, and fully tighten the loose screws (paragraph 4, 5) at a torque of 30 Lbs x In.

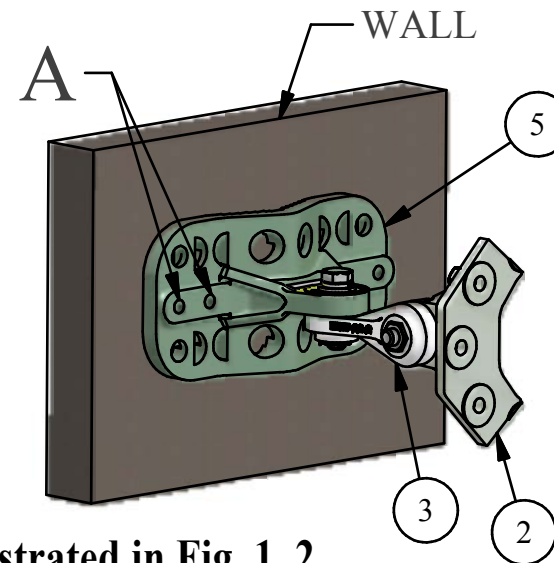
10. Make assemblies as illustrated in Fig. 1, 2.

11. Attach item 5 to the wall. Fasten it with screws 1/4" or M6 using holes 'A'. (Screws not shown.)

12. Align item 3 with item 5 so teeth of item 3 face teeth of item 5. Connect as illustrated in Fig. 3.

13. Adjust the desired angle, and fully tighten the loose screws (paragraph 4, 5) at a torque of 30 Lbs x In.

## Wall Mounting



NOTE :

1. MOUNT SUITABLE FOR POLES Ø1"-4".

Parts List		
ITEM	QTY	DESCRIPTION
1	1	POLE 1"-4" (NOT SUPPLIED)
2	1	MNT-23-1
3	1	MNT-22-2
4	1	MNT-22-4
5	1	MNT-22-3
6	4	Helical Spring Lock Washer St. St. #5/16
7	4	Plain Washer St. St. #5/16
8	2	Hex Cap Screw St. St. NC 5/16-18 x 1.25"
9	2	Hex Cap Screw St. St. NC 5/16-18 x 5"
10	2	Plain Washer St. St. #1/4
11	2	Helical Spring Lock Washer St. St.#1/4
12	2	Hex Nut St. St. NC 1/4-20
13	2	Hex Nut St. St. NC 5/16-18