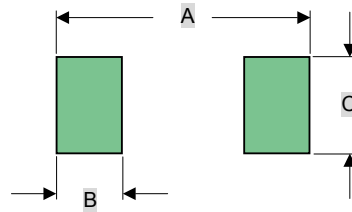
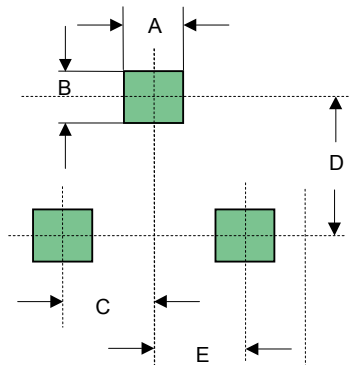


RECOMMENDED SOLDER PAD LAYOUTS



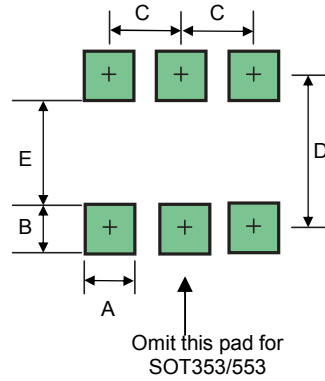
PACKAGE	DIMENSIONS (inches/mm)		
	A	B	C
SOD123	.165 / 4.19	.036 / 0.91	.048 / 1.22
SOD323	.118 / 3.01	.022 / 0.55	.027 / 0.70
SOD-523	.090 / 2.30	.024 / 0.60	.031 / 0.80
SOD-723	.063 / 1.60	.020 / 0.50	.018 / 0.45
MELF	.220 / 5.59	.035 / 0.89	.115 / 2.92
MINIMELF	.165 / 4.19	.030 / 0.76	.075 / 1.90
MICROMELF	.110 / 2.80	.035 / 0.90	.055 / 1.40
DO-221AC	.232 / 5.90	.063 / 1.60	.075 / 1.90
SMB	.230 / 5.84	.070 / 1.78	.085 / 2.16
SMC	.330 / 8.38	.070 / 1.78	.125 / 3.18
HSMA	.230 / 5.84	.070 / 1.78	.085 / 2.16
HSMB	.230 / 5.84	.070 / 1.78	.085 / 2.16
HSMC	.330 / 8.38	.070 / 1.78	.200 / 5.08



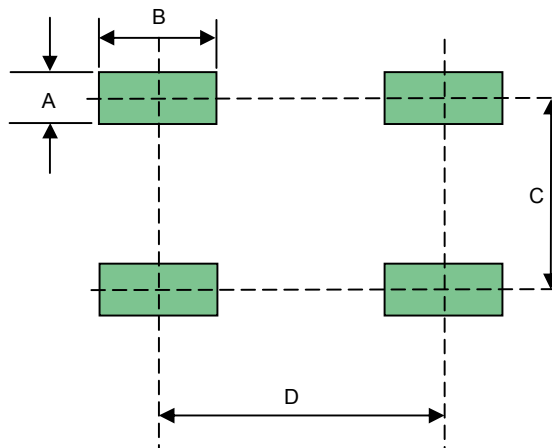
PACKAGE	DIMENSIONS (inches/mm)				
	A	B	C	D	E
SOT-23	.031 / 0.80	.035 / 0.90	.037 / 0.95	.079 / 2.00	.037 / 0.95
SOT-323	.028 / 0.70	.035 / 0.90	.026 / 0.65	.075 / 1.90	.026 / 0.65
SOT-523	.020 / 0.50	.020 / 0.50	.020 / 0.50	.055 / 1.40	.020 / 0.50

Note: Drawings Are Not To Scale

RECOMMENDED SOLDER PAD LAYOUTS



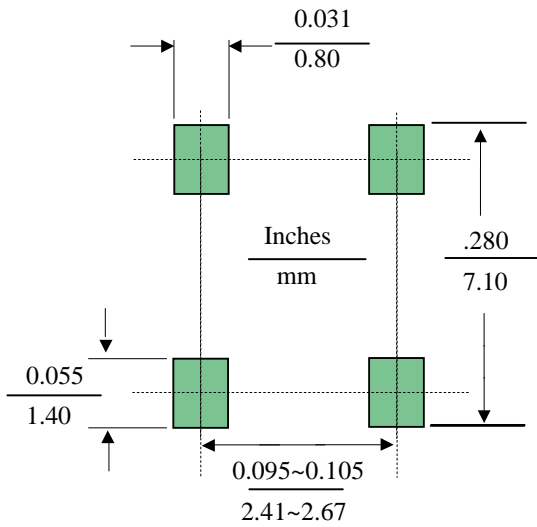
PACKAGE	DIMENSIONS (inches/mm)				
	A	B	C	D	E
SOT-363/353	.017 / 0.42	.024 / 0.60	.026 / 0.65	.075 / 1.90	.051 / 1.30
SOT-563	.015 / 0.375	.020 / 0.50	.020 / 0.50	.067 / 1.70	.047 / 1.20
SOT-553	.0118/0.3	.0177/0.45	.020/0.50	.0531/1.35	.047 / 1.20



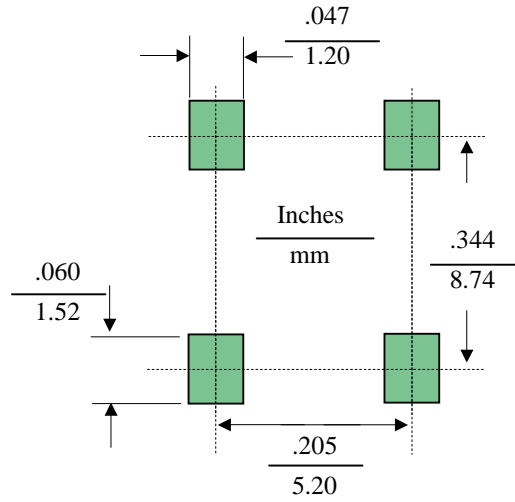
PACKAGE	DIMENSIONS (inches/mm)			
	A	B	C	D
SOT-343	.014 / 0.35	.031 / 0.80	.051 / 1.30	.076 / 1.94

Note: Drawings Are Not To Scale

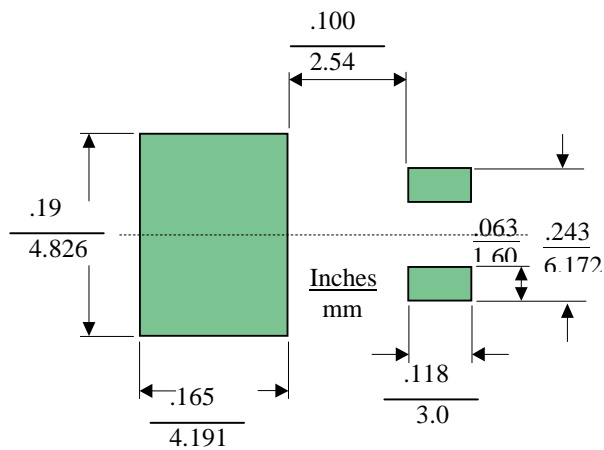
RECOMMENDED SOLDER PAD LAYOUTS



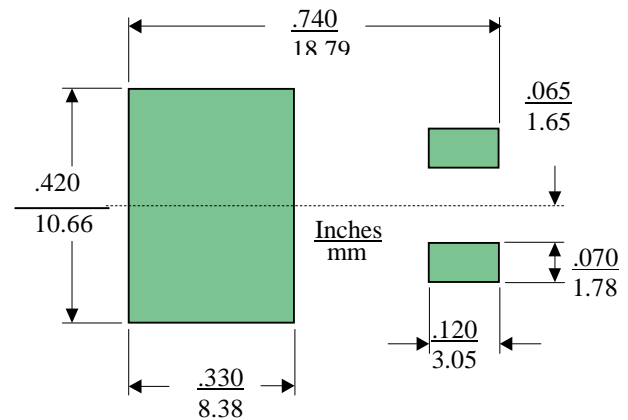
MBS-1



SDB-1

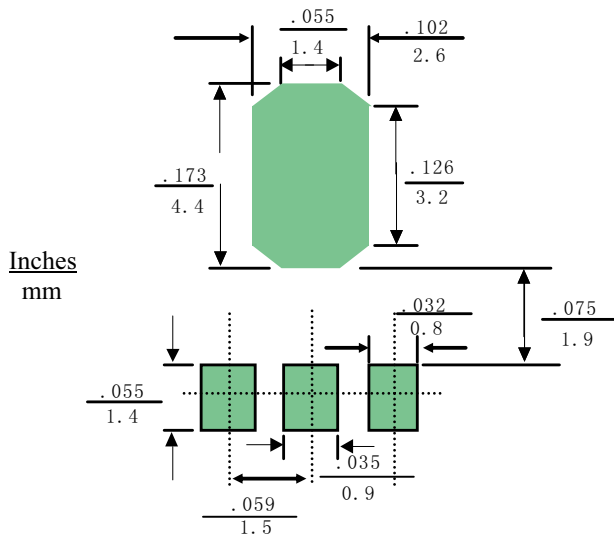


D-PACK

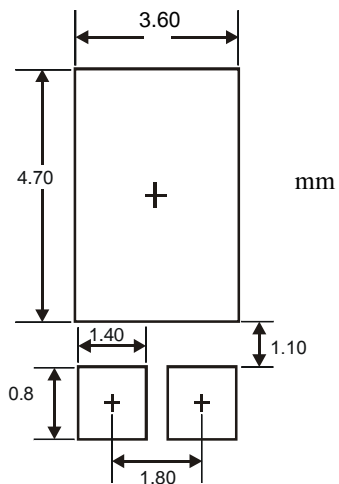


D²-PACK

RECOMMENDED SOLDER PAD LAYOUTS



SOT-89



TO-277B