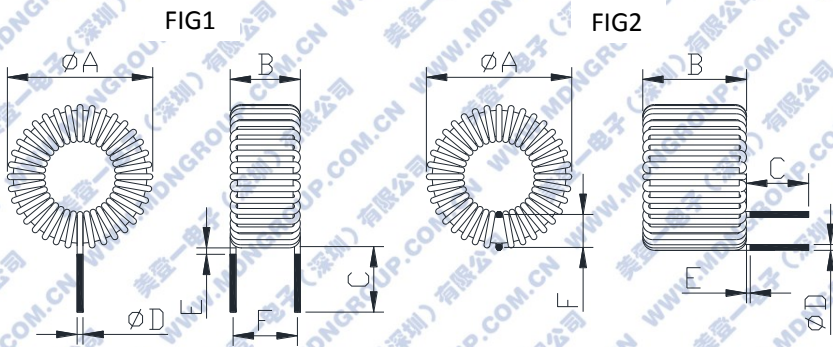


**TOROID INDUCTORS FOR DIGITAL AMPLIFIER 环形数字功放电感 T068M2/TH068DM2 系列****特 征**

- 全封闭环形磁路结构，优秀的屏蔽性能；
- 低磁导率铁粉芯磁芯，具有低损耗及优秀的直流偏流特性；中高音质低失真的最佳设计。
- 超大的直流饱和额定电流及温升电流；

**FEATURES**

- Closed magnetic circuit core, very low radiation noise by magnetically shielded construction.
- The iron power toroid core is low permeability, the material has low core loss and good DC saturation characteristics. The optimal design realizes middle -high quality sound and low distortion.
- Super high DC saturation allowable current and temperature rise allowable current.

**DIMENSIONS (mm) AND SHAPES**

TYPE	A Max	B Max	C Ref	D ± 0.1	E Max	F Ref	FIG
T068M2-	21.5	9.0	10	--	1.5	8.0	1
TH068DM2-	21.5	13.0	10	--	1.5	7.0	2

**ELECTRICAL CHARACTERISTICS**

TYPE	Inductance (uH) ± 20%	DC resistance (mΩ) Ref	IsAT (A)max	Irise (A)max	Dimension
					D(mm)
T068M2-L100M	10	38	16	6.0	0.80
T068M2-L150M	15	60	13	4.0	0.70
T068M2-L220M	22	100	11	3.5	0.60
TH068DM2-L100M	10	37	28	6.5	0.8
TH068DM2-L150M	15	44	22	5.5	0.8
TH068DM2-L220M	22	68	19	5.0	0.7

Remark : Inductance decrease current: Value of inductance decrease within 20%.

Temperature rise current: A rise in temperature of core surface is within 40°C.

**用 途**

- 该磁环电感专为 IR (IR2092、IR2095、IR4312M、IR2011S)、ST (TDA7491/2、TDA7498E、TDA8950TH) TI(TAS5612、TAS5614)、Zetex (ZXCD1210) 等数字功放芯片设计。
- 适用于数字功放线路的扼流。如汽车音响，LED 智能电视，5.1 声道家庭影院等。

**APPLICATIONS**

- These toroidal chokes were developed for use in TI TAS5612、TAS5614,Zetex Semiconductors ZXCD1210,ST TDA7491/2、TDA7198E、TDA8950TH and IR IR2092、IR2095、IR4312M、IR2011S etc. evaluation module.
- Suitable as choke for digital amp. Car audio, LED TV, 5.1ch Home theater, etc.



## TOROID INDUCTORS FOR DIGITAL AMPLIFIER

## 环形数字功放电感 T080M2/TH080M2 系列

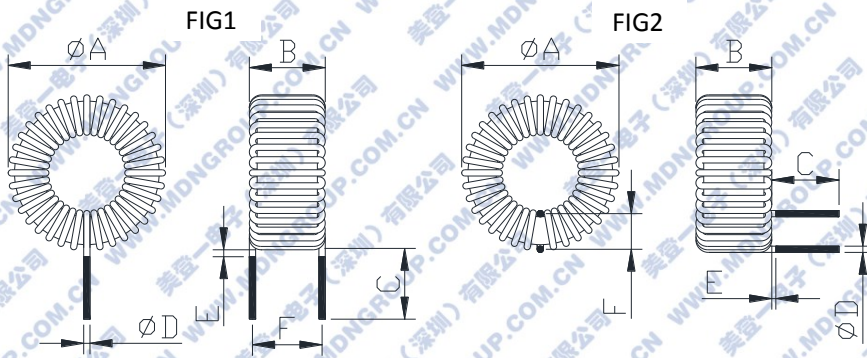
## 特 征

- 全封闭环形磁路结构，优秀的屏蔽性能；
- 低磁导率铁粉芯磁芯，具有低损耗及优秀的直流偏流特性；中高音质低失真的最佳设计。
- 超大的直流饱和额定电流及温升电流；

## FEATURES

- Closed magnetic circuit core, very low radiation noise by magnetically shielded construction.
- The iron power toroid core is low permeability, the material has low core loss and good DC saturation characteristics. The optimal design realizes middle-high quality sound and low distortion.
- Super high DC saturation allowable current and temperature rise allowable current.

## DIMENSIONS (mm) AND SHAPES



TYPE	A Max	B Max	C Ref	D $\pm$ 0.1	E Max	F Ref	FIG
T080M2-	24.0	10.8	10.0	--	1.5	9.0	1
TH080M2-	24.0	10.8	10.0	--	1.5	7.0	2

## ELECTRICAL CHARACTERISTICS

TYPE	Inductance ( $\mu$ H) $\pm$ 20%	DC resistance ( $m\Omega$ ) max	I <sub>SAT</sub> (A) max	I <sub>RISE</sub> (A) max	Dimension
					D(mm)
T/TH080M2-L070M	7	23	20.0	10.0	1.0
T/TH080M2-L100M	10	28	16.5	9.0	1.0
T/TH080M2-L150M	15	40	13.5	7.5	0.9
T/TH080M2-L220M	22	62	11.0	6.0	0.8

Remark : Inductance decrease current: Value of inductance decrease within 20%.

Temperature rise current: A rise in temperature of core surface is within 40°C.

## 用 途

- 该磁环电感专为 IR (IR2092、IR2095、IR4312M、IR2011S)、ST (TDA7491/2、TDA7498E、TDA8950TH) TI (TAS5612、TAS5614)、Zetex (ZXCD1210) 等数字功放芯片设计。
- 适用于数字功放线路的扼流。如汽车音响，LED 智能电视，5.1 声道家庭影院等。

## APPLICATIONS

- These toroidal chokes were developed for use in TI TAS5612、TAS5614,Zetex Semiconductors ZXCD1210,ST TDA7491/2、TDA7198E、TDA8950TH and IR IR2092、IR2095、IR4312M、IR2011S etc. evaluation module.
- Suitable as choke for digital amp. Car audio, LED TV, 5.1ch Home theater, etc.



## TOROID INDUCTORS FOR DIGITAL AMPLIFIER 环形数字功放电感 T094M2/TH094M2 系列

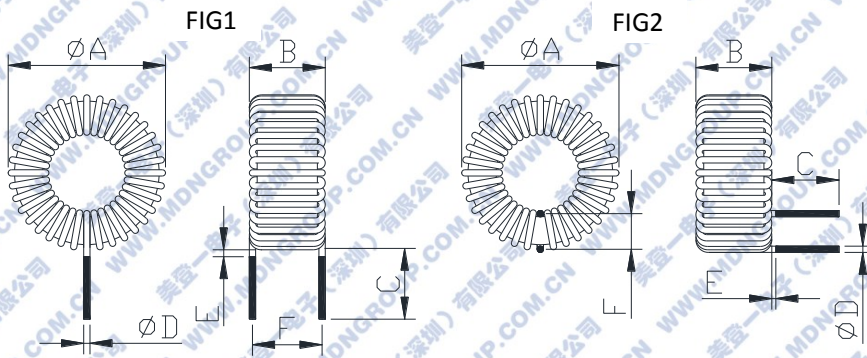
### 特 征

- 全封闭环形磁路结构，优秀的屏蔽性能；
- 低磁导率铁粉芯磁芯，具有低损耗及优秀的直流偏流特性；中高音质低失真的最佳设计。
- 超大的直流饱和额定电流及温升电流；

### FEATURES

- Closed magnetic circuit core, very low radiation noise by magnetically shielded construction.
- The iron power toroid core is low permeability, the material has low core loss and good DC saturation characteristics. The optimal design realizes middle-high quality sound and low distortion.
- Super high DC saturation allowable current and temperature rise allowable current.

### DIMENSIONS (mm) AND SHAPES



TYPE	A Max	B Max	C Ref	D ±0.1	E Max	F Ref	FIG
T094M2-	28.0	13.5	10.0	--	1.50	12.0	1
TH094M2-	28.0	13.5	10.0	--	1.50	8.0	2

### ELECTRICAL CHARACTERISTICS

TYPE	Inductance (uH) ± 20%	DC resistance (mΩ) max	IsAT (A)max	IRISE (A)max	Dimension
					D(mm)
T/TH094M2-L070M	7	18	25.0	12.0	1.1
T/TH094M2-L100M	10	26	22.0	10.0	1.0
T/TH094M2-L150M	15	33	18.5	9.0	1.0
T/TH094M2-L220M	22	40	15.0	8.0	1.0
T/TH094M2-L330M	33	75	12.5	6.0	0.8

Remark : Inductance decrease current: Value of inductance decrease within 20%.

Temperature rise current: A rise in temperature of core surface is within 40°C.

### 用 途

- 该磁环电感专为 IR (IR2092、IR2095、IR4312M、IR2011S)、ST (TDA7491/2、TDA7498E、TDA8950TH) TI (TAS5612、TAS5614)、Zetex (ZXCD1210) 等数字功放芯片设计。
- 适用于数字功放线路的扼流。如汽车音响，LED 智能电视，5.1 声道家庭影院等。

### APPLICATIONS

- These toroidal chokes were developed for use in TI TAS5612、TAS5614,Zetex Semicnductors ZXCD1210,ST TDA7491/2、TDA7198E、TDA8950TH and IR IR2092、IR2095、IR4312M、IR2011S etc. evaluation module.
- Suitable as choke for digital amp. Car audio, LED TV, 5.1ch Home theater, etc.

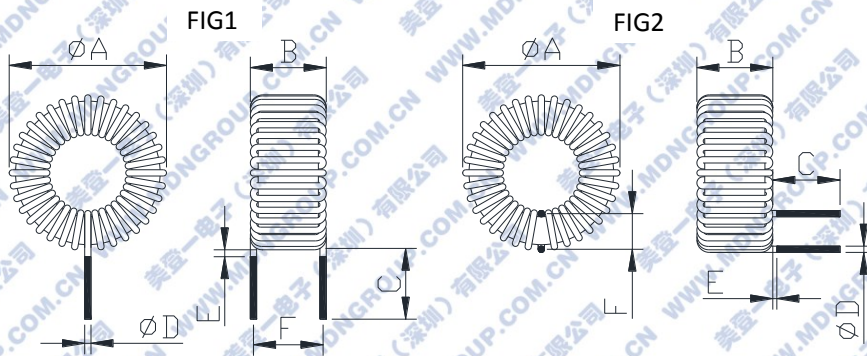


**TOROID INDUCTORS FOR DIGITAL AMPLIFIER****环形数字功放电感 T106M2/TH106M2 系列****特 征**

- 全封闭环形磁路结构，优秀的屏蔽性能；
- 低磁导率铁粉芯磁芯，具有低损耗及优秀的直流偏流特性；中高音质低失真的最佳设计。
- 超大的直流饱和额定电流及温升电流；

**FEATURES**

- Closed magnetic circuit core, very low radiation noise by magnetically shielded construction.
- The iron power toroid core is low permeability, the material has low core loss and good DC saturation characteristics. The optimal design realizes middle-high quality sound and low distortion.
- Super high DC saturation allowable current and temperature rise allowable current.

**DIMENSIONS (mm) AND SHAPES**

TYPE	A Max	B Max	C Ref	D ±0.1	E Max	F Ref	FIG
T106M2-	32.0	17.0	10.0	--	1.50	15.0	1
TH106M2-	32.0	17.0	10.0	--	1.50	9.0	2

**ELECTRICAL CHARACTERISTICS**

TYPE	Inductance (uH) ±20%	DC resistance (mΩ) max	IsAT (A)max	Irise (A)max	Dimension
					D(mm)
T/TH106M2-L070M	7	15	42	18	1.2
T/TH106M2-L100M	10	18	35	16	1.2
T/TH106M2-L150M	15	26	28	13	1.1
T/TH106M2-L220M	22	33	23	10	1.1
T/TH106M2-L330M	33	40	19	8.0	1.1

Remark : Inductance decrease current: Value of inductance decrease within 20%.

Temperature rise current: A rise in temperature of core surface is within 40°C.

**用 途**

- 该磁环电感专为 IR (IR2092、IR2095、IR4312M、IR2011S)、ST (TDA7491/2、TDA7498E、TDA8950TH) TI (TAS5612、TAS5614)、Zetex (ZXCD1210) 等数字功放芯片设计。
- 适用于数字功放线路的扼流。如汽车音响，LED 智能电视，5.1 声道家庭影院等。

**APPLICATIONS**

- These toroidal chokes were developed for use in TI TAS5612、TAS5614,Zetex Semicnductors ZXCD1210,ST TDA7491/2、TDA7198E、TDA8950TH and IR IR2092、IR2095、IR4312M、IR2011S etc. evaluation module.
- Suitable as choke for digital amp. Car audio, LED TV, 5.1ch Home theater, etc.



# TOROID INDUCTORS FOR DIGITAL AMPLIFIER 环形数字功放电感 T130M2/TH130M2 系列

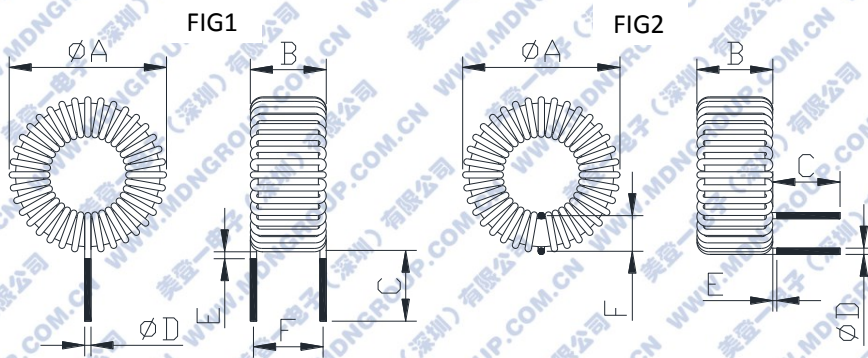
## 特 征

- 全封闭环形磁路结构，优秀的屏蔽性能；
- 低磁导率铁粉芯磁芯，具有低损耗及优秀的直流偏流特性；中高音质低失真的最佳设计。
- 超大的直流饱和额定电流及温升电流；

## FEATURES

- Closed magnetic circuit core, very low radiation noise by magnetically shielded construction.
- The iron power toroid core is low permeability, the material has low core loss and good DC saturation characteristics. The optimal design realizes middle-high quality sound and low distortion.
- Super high DC saturation allowable current and temperature rise allowable current.

## DIMENSIONS (mm) AND SHAPES



TYPE	A Max	B Max	C Ref	D $\pm$ 0.1	E Max	F Ref	FIG
T130M2-	38.5	19.0	10.0	--	1.50	16.0	1
TH130M2-	38.5	19.0	10.0	--	1.50	10.0	2

## ELECTRICAL CHARACTERISTICS

TYPE	Inductance ( $\mu$ H) $\pm$ 20%	DC re- sistance (m $\Omega$ ) max	I <sub>SAT</sub> (A) max	I <sub>RISE</sub> (A) max	Dimension
					D(mm)
T/TH130M2-L070M	7	12	52	25	1.5
T/TH130M2-L100M	10	14	48	22	1.5
T/TH130M2-L150M	15	25	38	15	1.2
T/TH130M2-L220M	22	31	29	12	1.2
T/TH130M2-L330M	33	40	24	10	1.2

Remark : Inductance decrease current: Value of inductance decrease within 20%.

Temperature rise current: A rise in temperature of core surface is within 40°C.

## 用 途

- 该磁环电感专为 IR (IR2092、IR2095、IR4312M、IR2011S)、ST (TDA7491/2、TDA7498E、TDA8950TH) TI (TAS5612、TAS5614)、Zetex (ZXCD1210) 等数字功放芯片设计。
- 适用于数字功放线路的扼流。如汽车音响，LED 智能电视，5.1 声道家庭影院等。

## APPLICATIONS

- These toroidal chokes were developed for use in TI TAS5612、TAS5614,Zetex Semiconductors ZXCD1210,ST TDA7491/2、TDA7198E、TDA8950TH and IR IR2092、IR2095、IR4312M、IR2011S etc. evaluation module.
- Suitable as choke for digital amp. Car audio, LED TV, 5.1ch Home theater, etc.

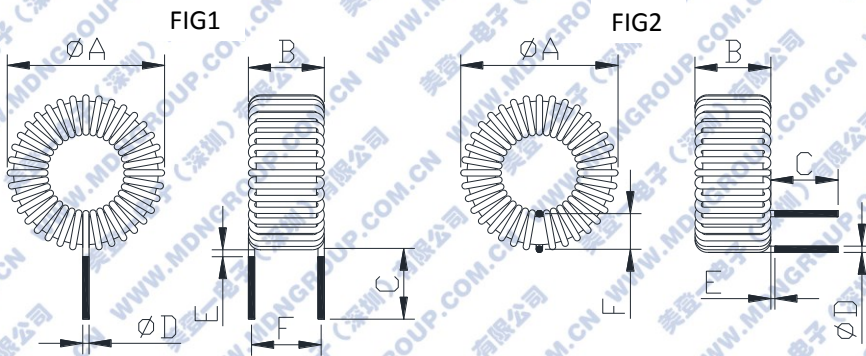


**TOROID INDUCTORS FOR DIGITAL AMPLIFIER****环形数字功放电感 T157M2/TH157M2 系列****特 征**

- 全封闭环形磁路结构，优秀的屏蔽性能；
- 低磁导率铁粉芯磁芯，具有低损耗及优秀的直流偏流特性；中高音质低失真的最佳设计。
- 超大的直流饱和额定电流及温升电流；

**FEATURES**

- Closed magnetic circuit core, very low radiation noise by magnetically shielded construction.
- The iron power toroid core is low permeability, the material has low core loss and good DC saturation characteristics. The optimal design realizes middle-high quality sound and low distortion.
- Super high DC saturation allowable current and temperature rise allowable current.

**DIMENSIONS (mm) AND SHAPES**

TYPE	A Max	B Max	C Ref	D ±0.1	E Max	F Ref	FIG
T157M2-	45.0	22.0	10.0	--	1.50	20.0	1
TH157M2-	45.0	22.0	10.0	--	1.50	12.0	2

**ELECTRICAL CHARACTERISTICS**

TYPE	Inductance (uH) ±20%	DC re-sistance (mΩ) max	IsAT (A) max	IRISE (A) max	Dimension
					D(mm)
T/TH157M2-L100M	10	11.5	51	28	2*1.2
T/TH157M2-L150M	15	18.0	42	22	1.5
T/TH157M2-L220M	22	22.0	35	20	1.5
T/TH157M2-L330M	33	25.0	28	17	1.5

Remark : Inductance decrease current: Value of inductance decrease within 20%.

Temperature rise current: A rise in temperature of core surface is within 40°C.

**用 途**

- 该磁环电感专为 IR (IR2092、IR2095、IR4312M、IR2011S)、ST (TDA7491/2、TDA7498E、TDA8950TH) TI (TAS5612、TAS5614)、Zetex (ZXCD1210) 等数字功放芯片设计。
- 适用于数字功放线路的扼流。如汽车音响，LED 智能电视，5.1 声道家庭影院等。

**APPLICATIONS**

- These toroidal chokes were developed for use in TI TAS5612、TAS5614,Zetex Semiconductors ZXCD1210,ST TDA7491/2、TDA7198E、TDA8950TH and IR IR2092、IR2095、IR4312M、IR2011S etc. evaluation module.
- Suitable as choke for digital amp. Car audio, LED TV, 5.1ch Home theater, etc.