

## - Realization in Saudi Arabia -

*A recognized know-how, supply of 2 types of resistors:  
Load bank and Neutral earthing resistor*

METAL DEPLOYE RESISTOR (MD Resistor) is specialized in designing, manufacturing and commercialization of power resistors and realizes more than 70% of its turnover on the export market in more than 100 countries and in particular in Saudi Arabia. Thanks to its unique technology of expanded metal grids, MD Resistor offers a wide range of standard or customized resistors, responding to the requirements of our clients.

For the same ITCC project (Information Technology Communications Complex), MD Resistor supplied two types of resistors:

- 3 neutral earthing resistors,

In order to protect the electrical installations of the site, 3 neutral earthing resistors, supplied by MD Resistor, are installed at the neutral point of the power transformers.

- 4 load banks,

In order to secure the significant amount of data stored in the "Data Center", 4 emergency power generators are installed and tested by load banks supplied by MD Resistor.

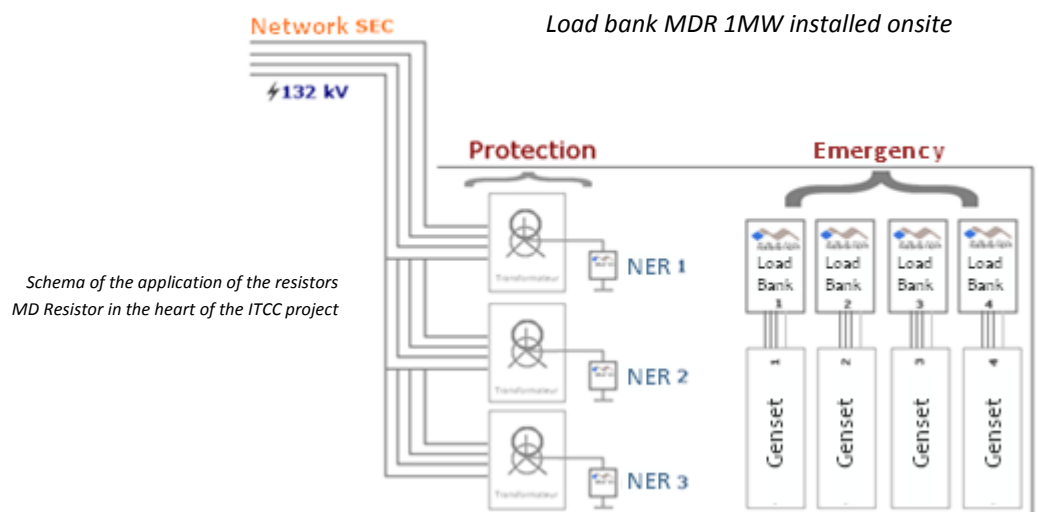
The load banks are used to load the generators during periodic tests. The aim of these tests is to ensure the proper functioning of the generators in case of a power failure. The resistors of MD Resistor are engineered and adapted to the Saudi Arabian climate and environment.

### MD Resistor ®

- Load bank standard line-up 400 V
- Load bank tunnel type
- Special load bank (resistive and reactive allowing a variation of the power factor)
- Control cabinet
- Variety of options



Load bank MDR 1MW installed onsite



MADE IN FRANCE



70 years Know How  
Standard & Custom  
Made Range



METAL DEPLOYE  
RESISTOR

[Info@mdresistor.com](mailto:Info@mdresistor.com)  
[www.mdresistor.com](http://www.mdresistor.com)