

- Panel sealing option
- Square cap
- 22 mm x 22 mm
- h = 11 mm
- Material: ABS/polycarbonate
- Temp. Range:
 - Solid cap: -40/+65°C
 - Transparent cap: -40/+85°C
- Panel cut-out: 10Q/10QM-22.5 x 22.5
- Height of the spacer: 3.9mm/5.1mm

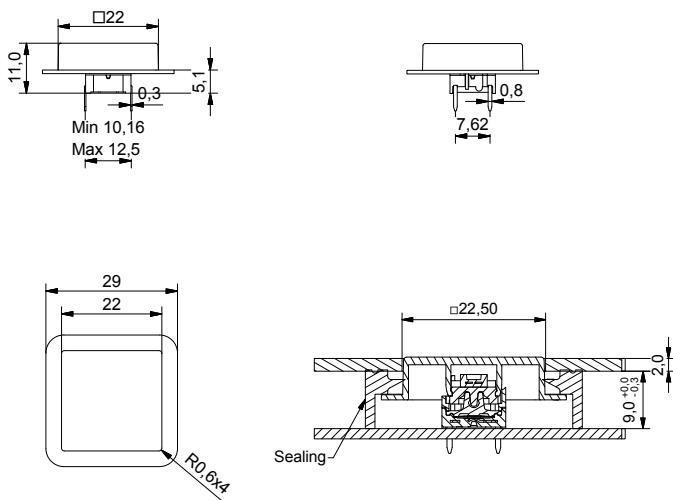


All dimensions in mm

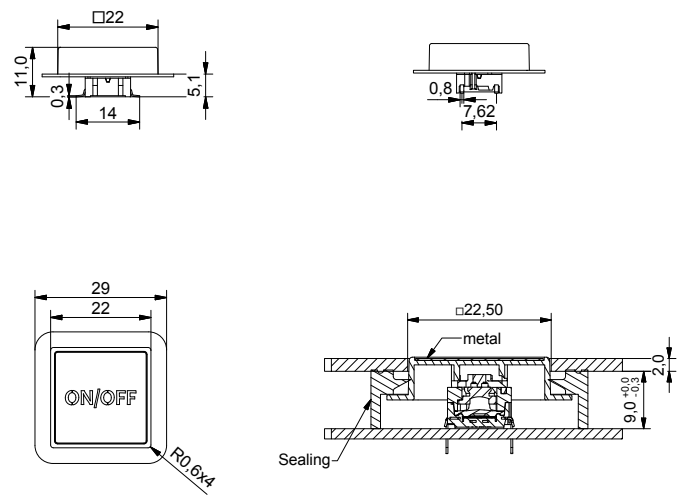
Tolerances +/-0.2mm

DIMENSIONS

TH + 10Q



SMD w/LED + 10QM



ILLUMINATED – HOW TO ORDER

Switch	Mounting	Actuation force	LED	+	Cap	Colour code	Sealing	+	Spacer
5 G	<input type="checkbox"/>	<input type="checkbox"/>	<input type="checkbox"/>		<input type="checkbox"/>	<input type="checkbox"/>	<input type="checkbox"/>		<input type="checkbox"/>
	TH9 through-hole	20	01 blue		10Q	16 frosted white	optional		optional
	SH9 surface mount	35	22 green						
		65	42 yellow		10QM				
		Q*	61 white						
			82 red						
			2242 green/yellow						
			8222 red/green						
			8242 red/yellow						

*For an illuminated quiet 2.0N switch add Q to the end of the switch part number.

See pages 34-35 for metal legend.

NON-ILLUMINATED – HOW TO ORDER

Switch	Mounting	Actuation force	+	Cap	Colour code	Sealing	+	Spacer
5 G	<input type="checkbox"/>	<input type="checkbox"/>		<input type="checkbox"/>	<input type="checkbox"/>	<input type="checkbox"/>		<input type="checkbox"/>
	TH9 through-hole	20		10Q	00 blue	06 white	optional	optional
	SH9 surface mount	20Q			02 green	08 red		
		35			03 grey	09 black		
		65			04 yellow			

Ordering example: 5GSH920+10Q00+10QY non-illuminated with spacer OR 5GTH93582+10QM16017 with illumination OR 5GSH920Q+10Q0910506+10QW with sealing OR *5GTH92001Q (illuminated quiet version)

Please see colour codes, updates of products and changes of specifications on www.mec.dk