



Micro Communications, Inc.

SERIES 51000

DIRECTIONAL COUPLERS

- **Small Size**
- **Adjustable Coupling**
- **High Directivity**
- **External Load**

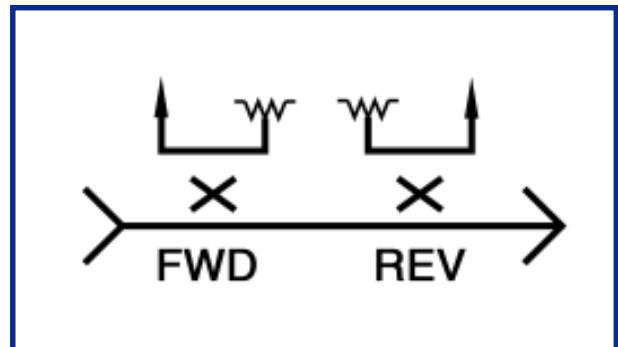
MCI's Directional Loop Couplers are designed to couple signals from a high power transmission line. These signals can be used for alarm circuits, envelope monitoring, frequency monitoring, forward and reverse wave monitoring, and a multitude of other operations.

The High Power Loop Coupler has an external load and can measure either forward or reverse power without rotation by manually repositioning the load. The advantage to utilizing an external load is that the coupler can handle higher power with closer values of coupling and the load can easily be replaced if damage occurs.

To measure forward and reverse power simultaneously, two couplers are required. Since MCI's couplers are very small, a number of single or multiple loops can be mounted circumferentially or in-line. Each coupler housing is welded to the line, ensuring the factory calibrated value of



coupling. All couplers are adjustable in height and angle to select the desired value of coupling and directivity. Precision built in height and angle scales are installed for presetting. Field installable "saddle" type couplers available also.





Micro Communications, Inc.

**SERIES 51000
DIRECTIONAL COUPLERS**

SPECIFICATIONS	
Frequency:	50-1,000 MHz
VSWR:	
Primary Line:	1.05
Secondary Line:	1.10
Coupling Adjustable:	35-80 dB
Directivity:	>30 dB
Impedance:	50

TYPE	LOOP COUPLERS		
	HIGH POWER		
	UNFLANGED	FLANGED	SADDLE TYPE
MODEL	51155	51555	51615
NUMBER OF LOOPS	1	1	1
SIZE in	10	10	10
SIZE (mm)	(254)	(254)	(254)
CONNECTOR EIA	6 1/8	6 1/8	6 1/8 line
MODEL	51152	51552	51612
NUMBER OF LOOPS	1	1	1
SIZE in	6	6	6
SIZE (mm)	(152)	(152)	(152)
CONNECTOR EIA	4 1/16	4 1/16	4 1/16 line
MODEL	51154	51554	51614
NUMBER OF LOOPS	1	1	1
SIZE in	6	6	6
SIZE (mm)	(152)	(152)	(152)
CONNECTOR EIA	3 1/8	3 1/8	3 1/8 line
MODEL	51153	51553	51613
NUMBER OF LOOPS	1	1	1
SIZE in	6	6	6
SIZE (mm)	(152)	(152)	(152)
CONNECTOR EIA	1 5/8	1 5/8	1 5/8



Micro Communications, Inc.

Micro Communications, Inc - A Mega Industries Company
 28 Sanford Dr. Gorham Maine 04038 Phone: 207.854.1700 Fax: 207.854.2287
 Email: sales@megaind.com Web: www.megaind.com