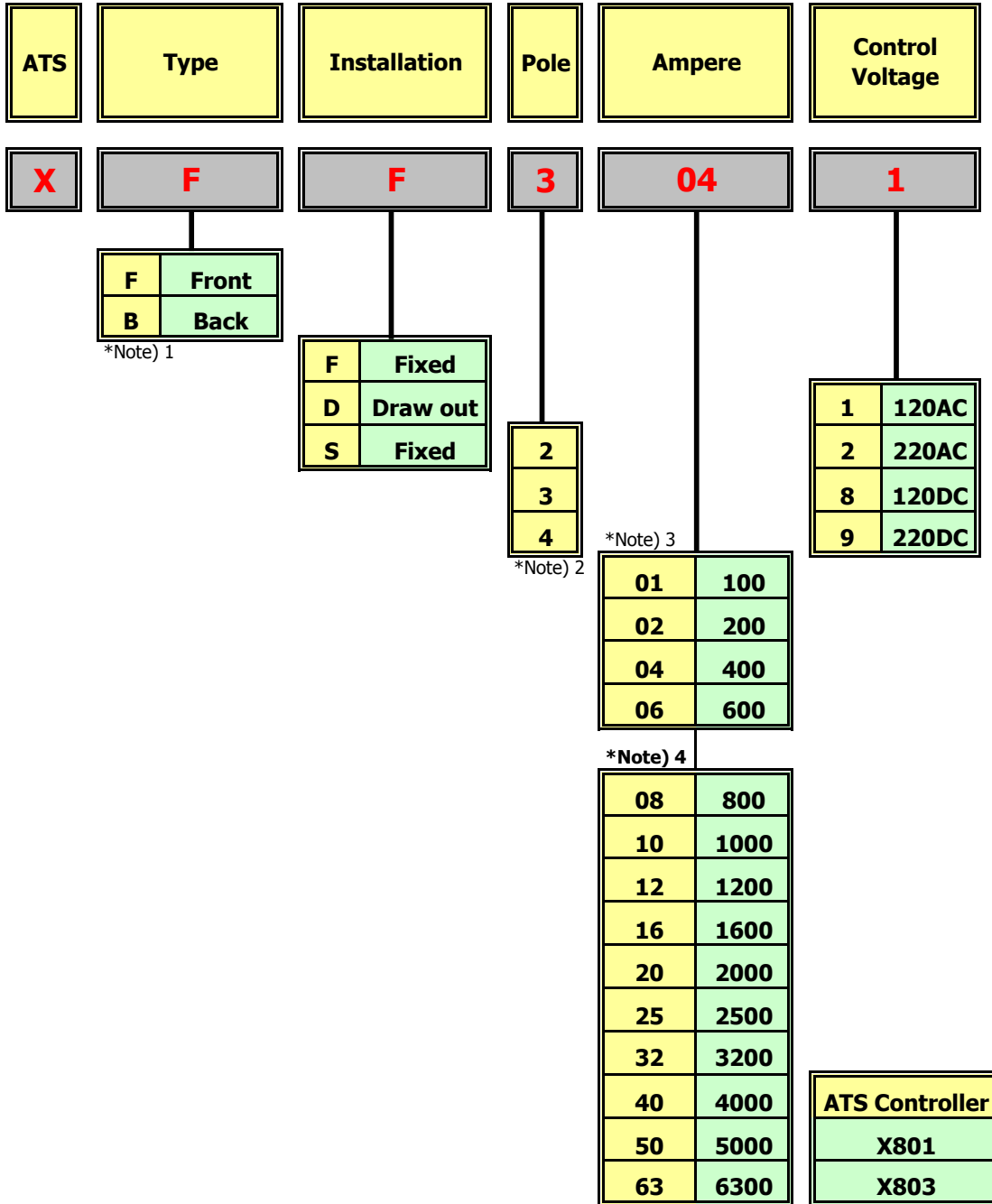




## OPEN TRANSFER SELECTION GUIDE



*\* Note) 1. F type may only be ordered by Fixed type.  
 2. 2 poles available for XF type only  
 3. Amperages available for XF type only.  
 4. Amperages available for XB type only.*