

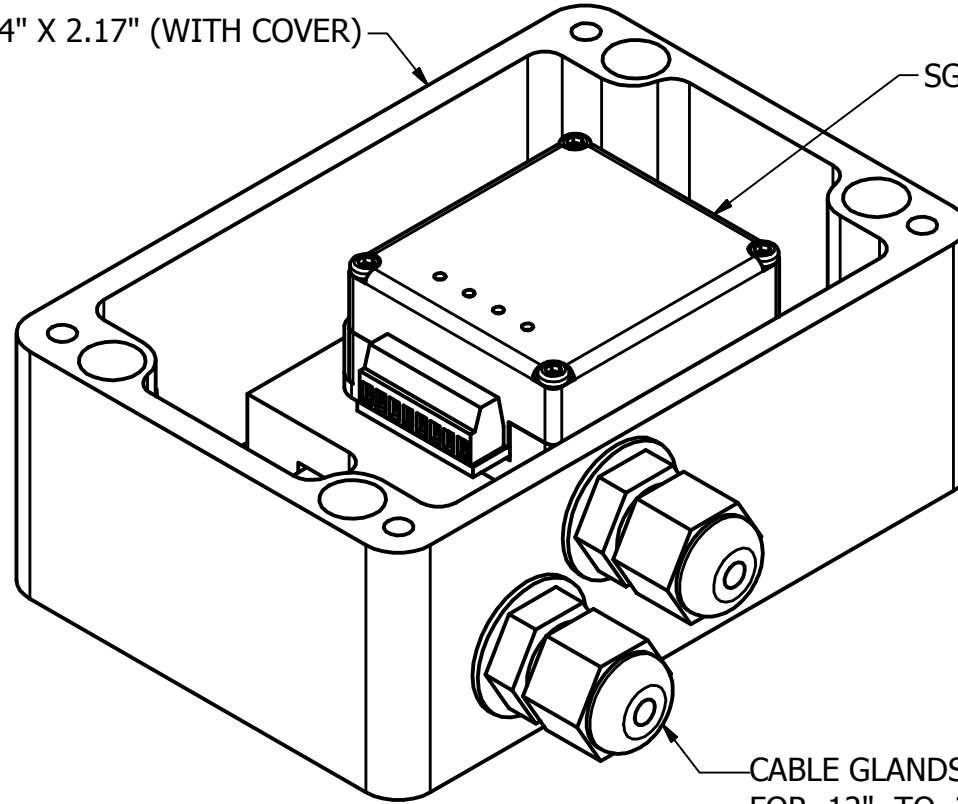
2

1

REV	DESCRIPTION	DATE	APPROVED

ENCLOSURE 4.32" X 2.94" X 2.17" (WITH COVER)

SG-LINK -LXRS



CABLE GLANDS (2)  
FOR .12" TO .26" DIA CABLE

B

B

A

A

UNLESS OTHERWISE SPECIFIED ALL DIMENSIONS ARE IN INCHES.  
 TOLERANCES:(UOS):  
 .X = ± .02; .XX = ± .01; .XXX = ± .005  
 HOLE DIAMETERS: ± .002; ANGLES: ± 0.5°  
 SURFACE FINISH: 63 MICROINCHES  
 MATERIAL:



459 Hurricane Lane, Suite 102  
 Williston, VT 05495  
 802-862-6629

TITLE  
**SG-Link-IP66-ENCL**

THIS DRAWING AND SPECIFICATIONS ARE THE PROPERTY OF MICROSTRAIN INC. AND SHALL NOT BE PRODUCED WITHOUT PERMISSION FROM MICROSTRAIN INC.

DESIGNED BY: TDA	DRAWN BY: TDA
CHECKED BY:	APPROVED BY: TDA

SIZE A	CAGE CODE OXYZ9	DWG NO: <b>6309-3000</b>	REV -
SCALE 1 : 1		DATE: 12/4/2007	SHEET 1 OF 1

2

1