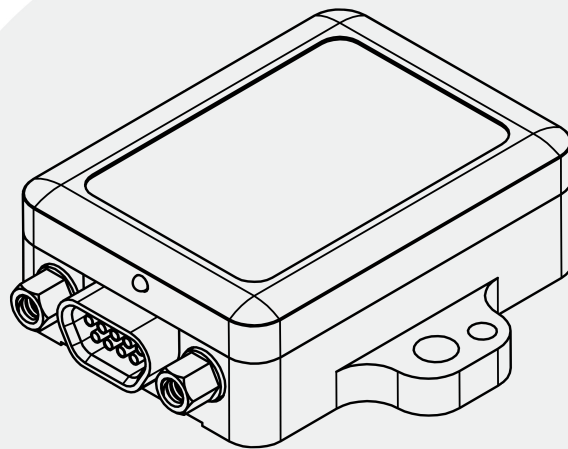


3DM-GX4-15™

Inertial Measurement and Vertical Reference Unit (IMU/VRU)





LORD MicroStrain®
SENSING SYSTEMS

MicroStrain® Sensing Systems
459 Hurricane Lane
Suite 102
Williston, VT 05495
United States of America

Phone: 802-862-6629

Fax: 802-863-4093

<http://www.microstrain.com>
sensing_support@LORD.com
sensing_sales@LORD.com

Copyright © 2015 LORD Corporation

3DM®, 3DM-DH®, 3DM-DH3™, 3DM-GX1®, 3DM-GX2®, 3DM-GX3®, 3DM-GX4-15™, 3DM-GX4-25™, 3DM-GX4-45™, 3DM-GX4™, 3DM-RQ1™, 3DM-GQ4™, AIFP®, Ask Us How™, Bolt-Link®, DEMOD-DC®, DVRT®, DVRT-Link™, EH-Link®, EmbedSense®, ENV-Link™, FAS-A®, G-Link®, G-Link2™, HS-Link®, IEPE-Link™, Inertia-Link®, Little Sensors, Big Ideas®, Live Connect™, LXRS®, MathEngine®, MicroStrain®, MVEH™, MXRS®, Node Commander®, PVEH™, RHT-Link®, RTD-Link™, SensorCloud™, SG-Link®, Shock-Link™, Strain Wizard®, TC-Link®, Torque-Link™, V-Link®, Watt-Link™, Wireless Simplicity, Hardwired Reliability™, and WSDA® are trademarks of LORD Corporation.

Document 8500-0046 Revision D

Subject to change without notice.

Table of Contents

1. System Overview	6
2. Sensor Overview	7
2.1 Components	8
2.2 Interface and Indicators	9
3. Basic Setup and Operations	10
3.1 Software Installation	11
3.2 System Connections	12
3.3 Software Interface	13
3.3.1 Interactive Help Menu	13
3.4 Sensor Communication	14
3.5 Sensor Settings	15
3.5.1 Saving Configurations	16
3.6 Data Monitoring and Recording	17
3.7 Viewing Data	20
4. Sensor Measurements	21
4.1 Direct Sensor Measurements (IMU Outputs)	22
4.2 Computed Outputs (Estimation Filter)	24
4.3 Sensor Reference Frames	26
4.3.1 Geodetic Frame	26
4.3.2 North East Down (NED) Frame	27
4.3.3 Sensor Frame	28
5. Performance Optimization	29
5.1 Gyroscope Bias	29

5.2	Heading Drift and Compensation	30
5.3	Angular Rate and Acceleration Limits	31
5.4	Bandwidth	31
5.5	Estimation Filter Operation	31
5.6	Estimation Filter Convergence	32
5.6.1	<i>Initial Convergence</i>	32
5.6.2	<i>Bias Convergence</i>	32
5.6.3	<i>Output Uncertainty</i>	33
5.7	Vibration Isolation	33
5.8	IMU Sensor Calibration	33
5.9	Temperature Compensation	33
6.	Sensor Installation	34
6.1	Sensor Mounting	34
7.	OEM System Integration	35
7.1	Data Communications Protocol (DCP)	35
7.1.1	<i>Packet Builder</i>	36
7.1.2	<i>Sensor Direct Mode</i>	37
7.2	Sensor Wiring	38
7.3	Sampling on Start-up	39
7.4	Connecting to a Datalogger	40
7.5	Using Wireless Adapters	40
8.	Troubleshooting	41
8.1	Troubleshooting Guide	41
8.2	Repair and Calibration	45
8.3	Technical Support	46

9. Maintenance	47
10. Parts and Configurations	48
10.1 Standard Configurations	48
10.2 Accessories	50
10.3 Sales Support	51
11. Specifications	52
12. Safety Information	54
12.1 Disposal and Recycling	54
13. Addendum	55
13.1 Reference Diagrams	55
13.1.1 <i>Sensor Dimensions and Origin</i>	55
13.1.2 <i>Power Supply Specifications (RS232 kits only)</i>	56
13.1.3 <i>Communication and Power Cables</i>	57
13.2 Reference Documents	58
13.3 Glossary	59

1. System Overview

The LORD MicroStrain® family of industrial and tactical grade inertial sensors provide a wide range of triaxial orientation measurements and computed navigation solutions. In all models, the Inertial Measurement Unit (IMU) includes direct measurement of acceleration and angular rate, and some also offer atmospheric pressure readings. Sensor measurements are processed through an Extended or Adaptive Kalman Filter (EKF/AKF) to produce highly accurate computed outputs. The computed outputs vary between models and include: pitch and roll in the 3DM-GX4-15™ IMU/VRU model, the full attitude solution (pitch, roll, and yaw) in the 3DM-GX4-25™ AHRS model, and the full PVA (position, velocity and attitude) solution in the 3DM-GX4-45™ and 3DM-RQ1-45™ GPS/INS, and 3DM-GQ4-45™ GNSS/INS models. The Kalman filter provides EKF technologies to compensate for magnetic and linear acceleration anomalies as applicable to the model. It also provides sensor bias tracking, auto-zero update options (ZUPT), and user adjustable sensor noise factors. All sensors are fully temperature compensated and calibrated over the full operating temperature range.

The use of Micro-Electro-Mechanical System (MEMS) technology allows for small, lightweight devices. Sensors are integrated into customer systems using serial communication protocols such as RS422, RS232 and USB. The LORD MicroStrain® MIP™ Monitor software can be used for device configuration, real time measurement monitoring, and data recording. The LORD MicroStrain® MIP™ Data Communications Protocol that is used to communicate with LORD MicroStrain® inertial sensors is also available for users who want to develop customized software solutions. Because of the unified set of commands across the sensor family, it is easy to migrate code from one inertial sensor to another.

Common applications of LORD MicroStrain® inertial sensor products include vehicle health monitoring, platform stabilization, down-hole and drilling operations, and inertial navigation systems such as unmanned air and ground vehicles and personal navigation systems.



2. Sensor Overview

The 3DM-GX4-15™ is a high-performance, miniature, Inertial Measurement and Vertical Reference Unit (IMU/VRU) that combines micro inertial sensors for use in a wide range of industrial grade applications, such as unmanned vehicle navigation, robotic control, platform stabilization, motion tracking and analysis, vehicle health monitoring, and device aiming.

The 3DM-GX4-15™ utilizes the strengths of integrated multi-axis gyroscopes and accelerometers in combination with temperature, and pressure readings to provide highly accurate inertial measurements. Each of the integrated sensors is especially good at certain tasks, and it is the weighted combination of their outputs that provides the best estimations outputs. All sensor measurements are temperature compensated and are mathematically aligned to an orthogonal coordinate system. The combination of sensors, environmental compensation, and dual on-board processing with an Adaptive Kalman Filter (AKF) allows the 3DM-GX4-15™ to perform well in a wide variety of applications that require low noise, drift, gain, and offset errors. Uncertainty monitoring, and bias estimation outputs are available, and settings for sensor filtering, sensor noise, sensor bias, and more offer many adjustments for specific application needs.

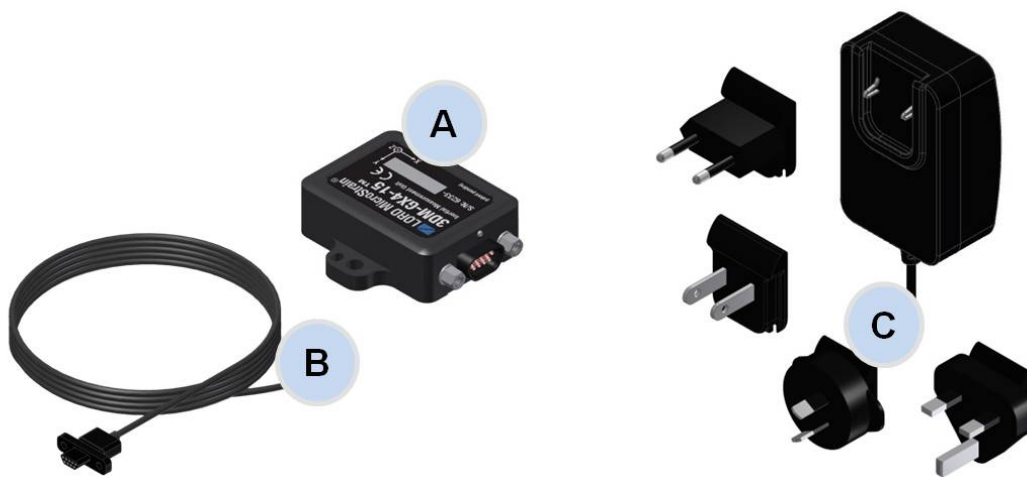
The 3DM-GX4-15™ communicates through a serial connection and is monitored by a host computer. Sensor measurements and computed outputs can be viewed and recorded with the LORD MicroStrain® MIP™ Monitor software that is provided with system starter kits and also available as a free download from the LORD MicroStrain® website. Alternatively, users can write custom software with the LORD MicroStrain® open source data communication protocol. The data is time-aligned and available by either polling or continuous stream.



Figure 1 - 3DM-GX4-15™ Sensor

2.1 Components

The 3DM-GX4-15™ can be purchased by itself or in a starter kit that includes everything needed to begin using it. The starter kits include the 3DM-GX4-15™ inertial sensor, a serial communication cable (either RS232 or USB), a power supply with international plug adapters (RS232 kits only), and all software, drivers, and documentation. This manual covers all items included in the starter kits. For a complete list of available configurations, accessories, additional system products, and ordering information [see Parts and Configurations on page 48](#) *see Parts and Configurations on page 48*.



Item	Description	Quantity
A	3DM-GX4-15™ Inertial Sensor	1
B	Communications cable (USB or RS232)	1
C	Power supply and plug adapters (for RS232 only)	1
--	MIP™ Monitor Software Suite	1
--	User Documentation and Calibration Certificate	1

Table 1 - Starter Kit Components List

2.2 Interface and Indicators

The 3DM-GX4-15™ sensor interface is a communications and power input connector . The sensor is mounted using the mounting and alignment holes as needed ([see Sensor Mounting on page 34](#)).

The indicators on the 3DM-GX4-15™ include a device status indicator and the device information label. [Table 2 - Indicator Behaviors](#) describes the basic status indicator behavior. The device information label includes the sensor frame diagram (axis orientation), which will be critical during device installation ([see Sensor Frame on page 28](#)).

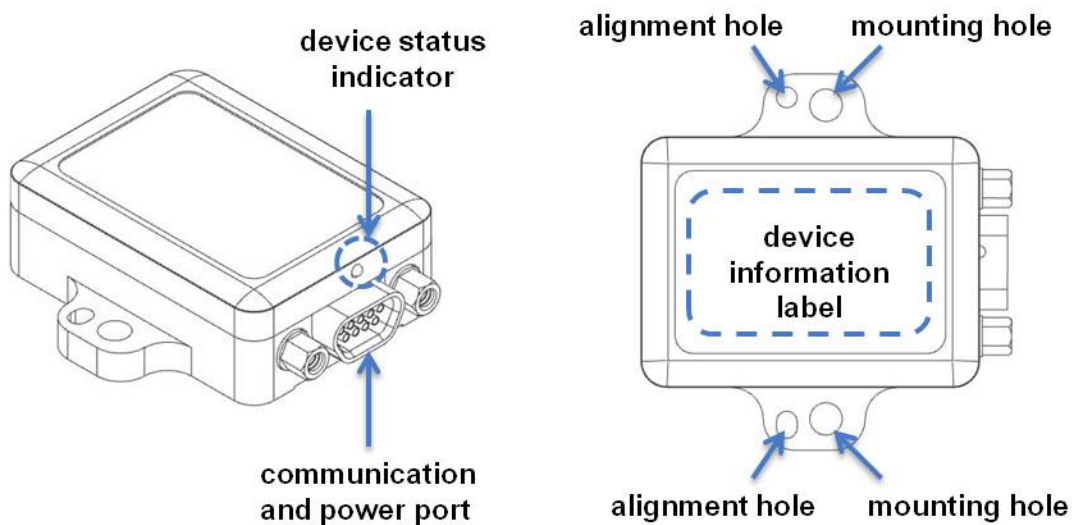


Figure 2 - Interface and Indicators

Indicator	Behavior	Device Status
device status indicator	OFF	no power applied
	rapid flash	streaming data
	slow pulse	idle mode, awaiting commands

Table 2 - Indicator Behaviors

3. Basic Setup and Operations

To acquire sensor measurements and computed outputs, the 3DM-GX4-15™ uses a host computer, a serial communications port, and applicable software. The LORD MicroStrain® MIP™ Monitor software is provided with the system and includes all functions needed for sensor configuration and data acquisition. Users may also utilize the LORD MicroStrain® MIP™ Data Communications Protocol to write custom software applications with expanded or specific feature sets needed for the application. MIP™ Monitor includes a message building tool that can be used to streamline this process. For more information [see OEM System Integration on page 35](#).

In this section hardware and software setup is described, including an overview of the MIP™ Monitor software menus required to configure a sensor and begin data acquisition. This is intended as a quick start guide and is not a complete demonstration of all system or software features and capabilities.

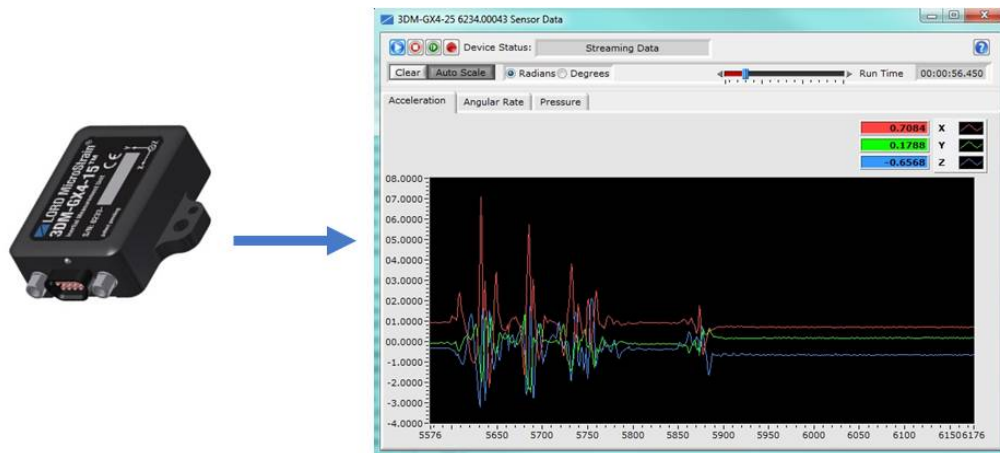


Figure 3 - Acquiring Sensor Data with MIP™ Monitor

3.1 Software Installation

NOTE

The MIP™ Monitor Software Suite includes hardware drivers required for 3DM-GX4™ sensor operation. Sensors will not be recognized without these drivers installed.

To install the MIP™ Monitor Software Suite on the host computer, complete the following steps:

1. Launch the software installation menu by inserting the software CD or thumb drive into the host computer or, by running the Autorun.exe file from the software directory in Windows® Explorer.
2. In the software installation (*Figure 4 - Software Installation Menu*) menu select "Install MIP Monitor Software" and follow the on-screen prompts to completion.
3. If the sensor has internal magnetometers, select "Install MIP Hard and Soft Iron Calibration Software" and follow the on-screen prompts to completion. This is used for magnetometer field calibration.
4. Select "Install Inertial Drivers" to install the hardware drivers required for operating the sensors, and follow the on-screen prompts to completion.
5. Select "Install Inertial Manuals", if desired, and reboot the host computer.
6. Plug the communications adapter into the host computer, and the drivers will install automatically. Reboot the computer when complete.



Figure 4 - Software Installation Menu

3.2 System Connections

CAUTION

Power is applied to the sensor either through a host computer USB port or an external power supply, such as the one provided in the RS232 starter kit. Use only power supplies within the operating range of the sensor, or damage or injury could result. Once power is applied the sensor is on and active ([see Specifications on page 52](#)).

To acquire sensor data the following components are needed: 3DM-GX4-15™ sensor, communication cable, power cable (as applicable for RS232 communications), and a host computer with LORD MicroStrain® MIP™ Monitor installed.

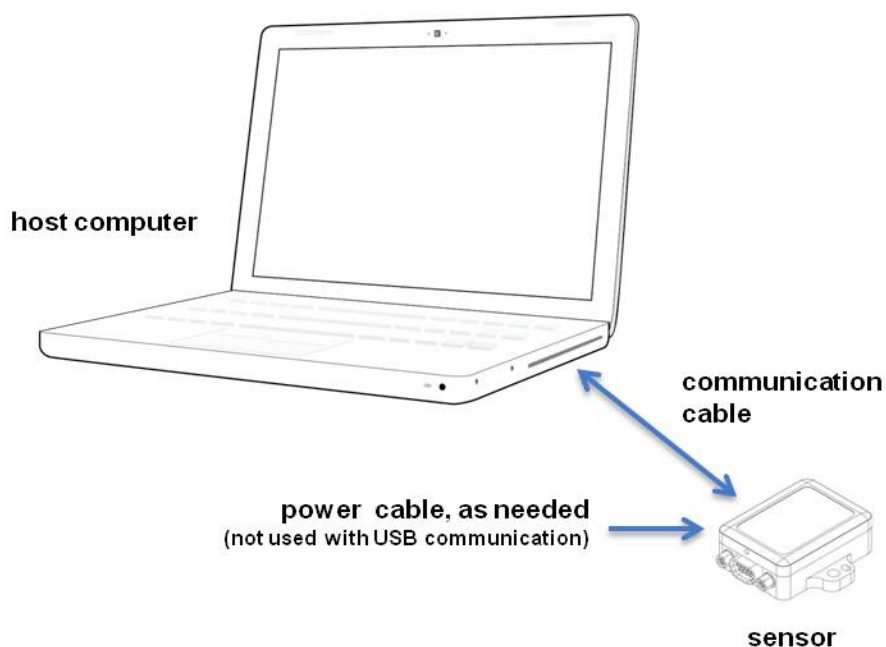


Figure 5 - System Connections

3.3 Software Interface

The MIP™ Monitor software includes a main window with system information and menus, a device settings window (*see Sensor Settings on page 15*), and several data monitoring windows (*see Data Monitoring and Recording on page 17*).

The main window provides an overview of connected devices. Devices are selected by clicking on them. A device menu is available by right-clicking on the device name and includes the most used items from the header row menus (*Figure 6 - Main Window*). The header row menu includes selections for data sampling, recording, device settings, opening windows, selecting which open window to view, and advanced features such as selecting the communications mode. The icon toolbar includes buttons for Help Menu access, device refresh, and data sampling and recording (*see Data Monitoring and Recording on page 17*).

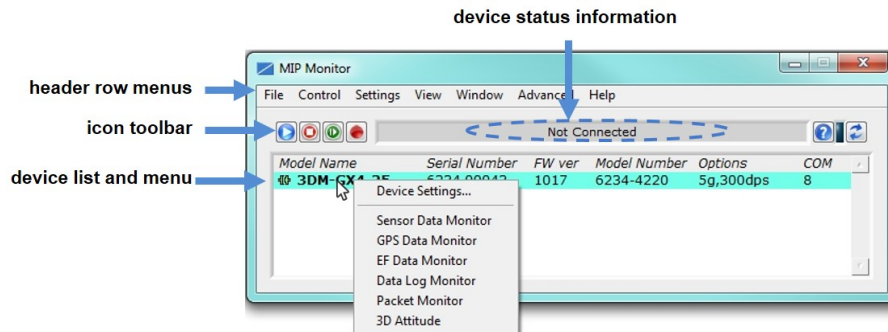


Figure 6 - Main Window

3.3.1 Interactive Help Menu

MIP™ Monitor also includes a mouse-over feature that provides explanations of the information and settings. This feature is enabled by selecting the question mark icon or Help button in any window.



Figure 7 - Context Sensitive Help Menu

3.4 Sensor Communication

Once power has been applied to the sensor, it is on. The sensor selects the appropriate serial communication (USB or RS232) on power-up based on which cable is connected. If the hardware drivers have been installed, communication can be established using the MIP™ Monitor software interface.

1. Verify the sensor device status indicator is on.
2. Open the MIP™ Monitor software.



3. The sensor should appear in the device list automatically when the software is running. The list includes the device information and communication port assignment ([Figure 8 - Sensor Communication](#)). If the sensor is not automatically discovered, use the refresh button.

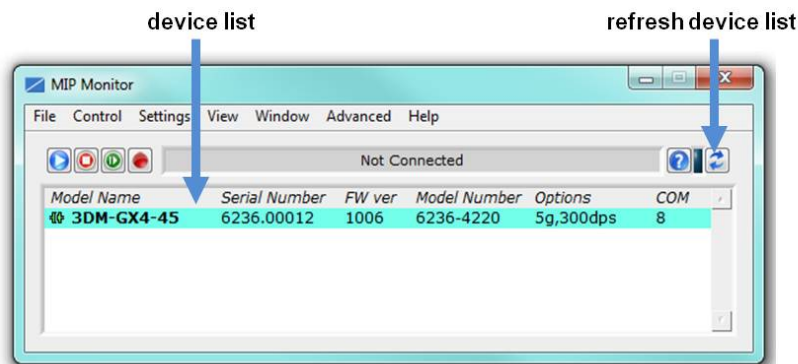


Figure 8 - Sensor Communication

NOTE

If data is not actively being exchanged between the sensor and host computer, the status message may display Not Connected. This indicates the port status, not the sensor availability. When commands are sent to the sensor, the software will automatically connect to it before sending the message.

3.5 Sensor Settings

Device settings are stored in the sensor memory. Only the configuration options that are available for the type of sensor being used will be available in the configuration menus.

1. To enter the settings menu, right-click on the sensor name, and select Device Settings:
 - a. **Main menu tabs:** The main tabs break up the setting into broad functional groups for the types of measurement available. For the 3DM-GX4-15™ these include calculated measurements (Estimation Filter), and direct inertial sensor measurements (IMU/AHRS).
 - b. **Message Format (first sub-menu tab):** Under each main menu tab there are additional sub-menu tabs, including the Message Format tab. The Message Format tab allows the user to select the measurement type to be displayed and recorded (b1) and the data rate (rate at which data is sent to the host computer) in samples/second (b2).
 - c. **Measurement parameters (other sub-menu tabs):** Available sub-menu tabs besides the Message Format tab depend on the selected main menu tab. These tabs include the configurable settings for each measurement.
 - d. **Scrolling:** used to navigate to additional sub-menus
 - e. **Help menu:** Enable the context-sensitive help menu for explanations of specific settings ([see Interactive Help Menu on page 13](#)).

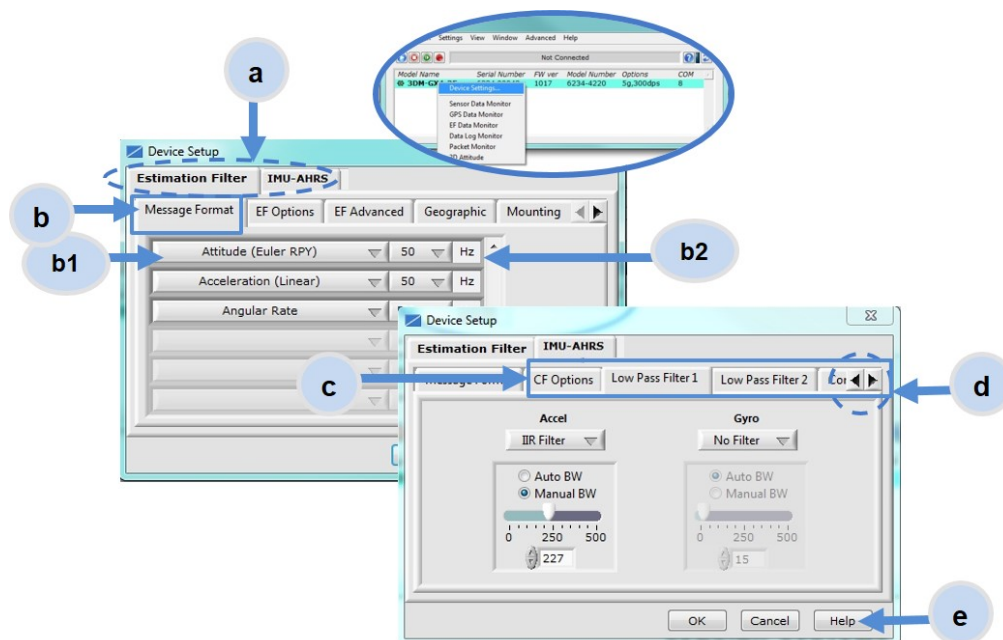


Figure 9 - Device Settings Menu

NOTE

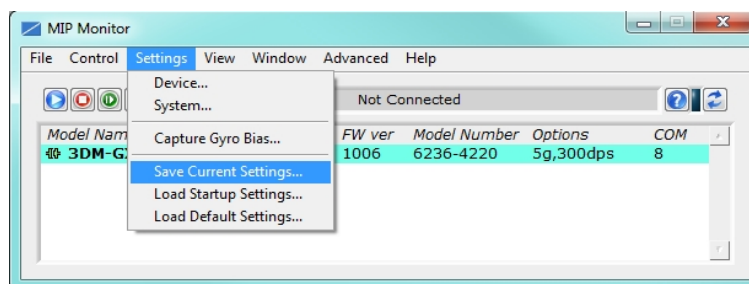
When selecting sensor and estimation outputs to be recorded, communications bandwidth considerations should be taken into account, especially when using RS232 communications. Lower baud rates equate to lower communications bandwidth, which can be consumed quickly by selecting a large number of measurements at high sample rates. Overrunning the communications bandwidth will result in dropped communications packets and lost data.

3.5.1 Saving Configurations

Sensor settings are saved temporarily by selecting the OK button in the Device Setup window after configuration, but they are lost when the device is powered off. To save current settings in the device memory for the future, use the Save Current Settings feature.

First adjust the sensor settings to the desired values. Next select Settings > Save Current Settings from the main window (*Figure 10 - Save Sensor Settings*). The setting will now remain intact when the sensor is powered off and then on again.

To recall the last saved settings select Settings > Load Startup Settings. To revert the settings back to the factory defaults, select Settings > Load Default Settings.

**Figure 10 - Save Sensor Settings**

3.6 Data Monitoring and Recording

NOTE

During viewing and recording, only the outputs that are selected in the Message Format tabs in the Device Setup menu are displayed and recorded (*see Sensor Settings on page 15*).

Throughout the MIP™ Monitor menus the same icons are used to control data streaming (sampling) and recording (*Table 3 - Sampling and Recording Controls*). These icons can be found in the MIP™ Monitor main window icon toolbar and in each data monitoring window. The same commands are also found in the main window Control menu.

sampling and recording controls (main window)

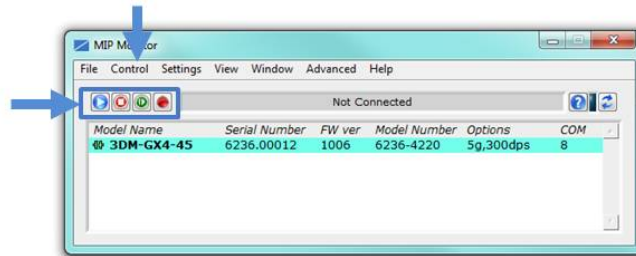


Figure 11 - Main Window Controls

Icon	Command
	Run: start data streaming
	Stop: end data streaming
	Step: sample single set of data
	Record: start and stop data recording

Table 3 - Sampling and Recording Controls

There are several data monitoring views available depending on what measurements are desired for monitoring and recording. Each view corresponds to one of the main categories in

the Device Settings window. For example, the 3DM-GX4-15™ includes Sensor Data Monitoring for the IMU/AHRS measurements, GPS Monitoring for the metrics, and EF Monitoring for the Estimation Filter outputs (*Figure 12 - Data Streaming*). During viewing and recording only the outputs that are selected in the Message Format tab of the Device Settings menu are displayed and recorded (*see Sensor Settings on page 15*).

Data streaming must be started before data can be recorded, however it is not necessary to view it in a data monitoring window. Data monitoring is used primarily to confirm the system is operating correctly or to view the outputs in near real time. If sensor setup has already been confirmed, streaming and recording can be initiated from the main window.

Figure 12 - Data Streaming is an example of Sensor Data Monitoring, which displays the selected IMU/AHRS measurements. In data monitoring windows, no data will be displayed until data streaming is started, and no data will be recorded (even if it is being viewed) until data recording is initiated (armed). In the example below, the y-axis of the graph indicates data points, the x-axis is the measurement units, and there is a tab for each measurement.

1. Right-click on the device in the main window and select Sensor Data Monitoring.
2. Press the Start Streaming icon to start sampling.

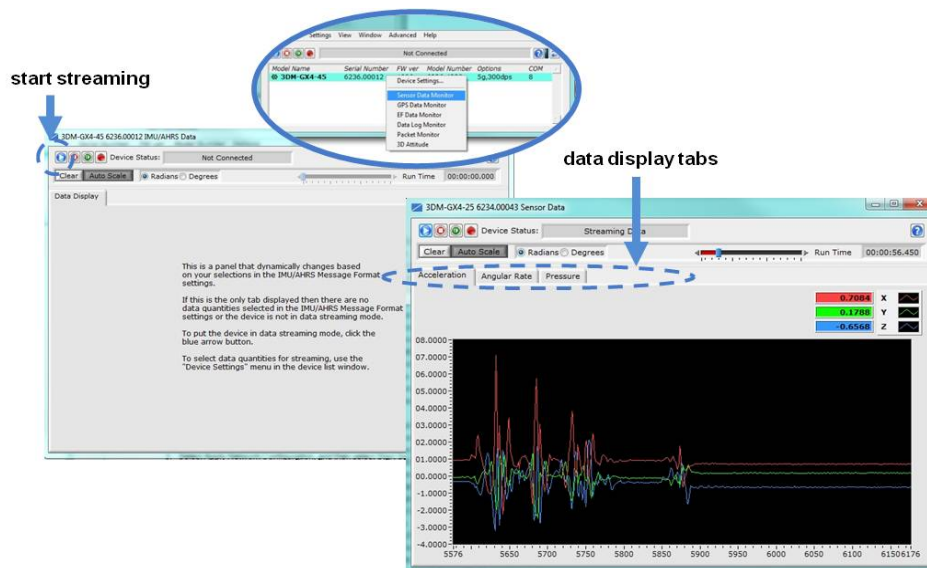


Figure 12 - Data Streaming

- To record data, select the Arm Recording icon at any time.
- Select the type of data file to generate: Binary or CSV. The CSV file is the most common and can be viewed and processed by data editors such as Microsoft Excel®.

NOTE

If the data is recorded in Binary format it will require a translation program that utilizes the LORD MicroStrain® MIP™ Data Communications Protocol to make it user-readable.

arm data recording

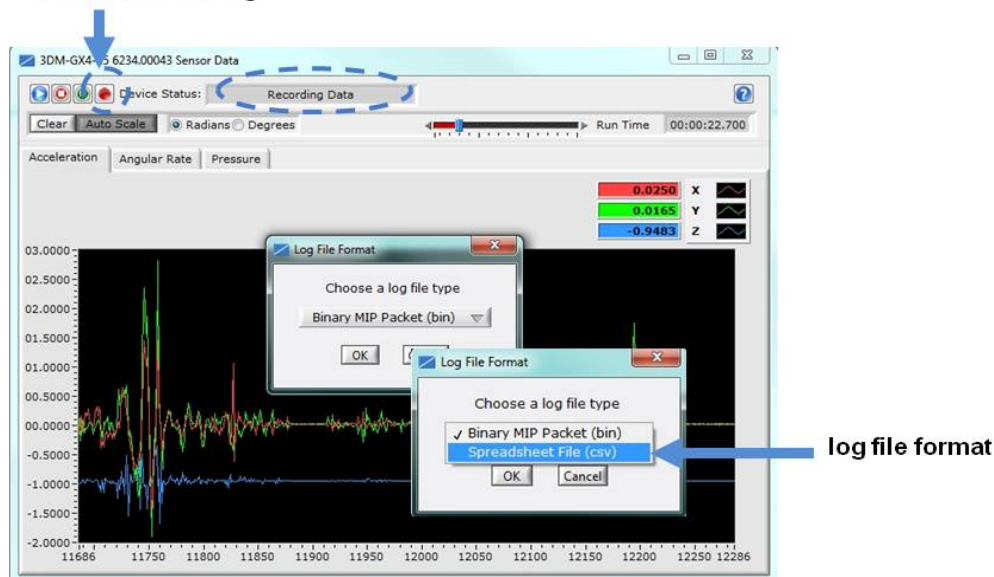


Figure 13 - Data Recording

- To end recording press the Arm Recording button again, and select OK in the confirmation prompt window.
- Select the Stop Streaming icon to end sampling.
- Use the red "X" in the upper right of the sensor monitoring window to exit monitoring mode.

3.7 Viewing Data

Acquired data is stored in either Binary (.bin) or Comma Separated Values (.CSV) format, depending on what was selected at the initiation of data recording. The files can be found in the directory specified at that time or in the default directory on the host computer desktop.

CSV files can be viewed with Microsoft Excel, Quattro Pro, Open Office, or other CSV editors and spreadsheet programs.

Data recorded in Binary format requires a translation program utilizing the LORD MicroStrain® MIP™ Data Communications Protocol to make it user-readable.

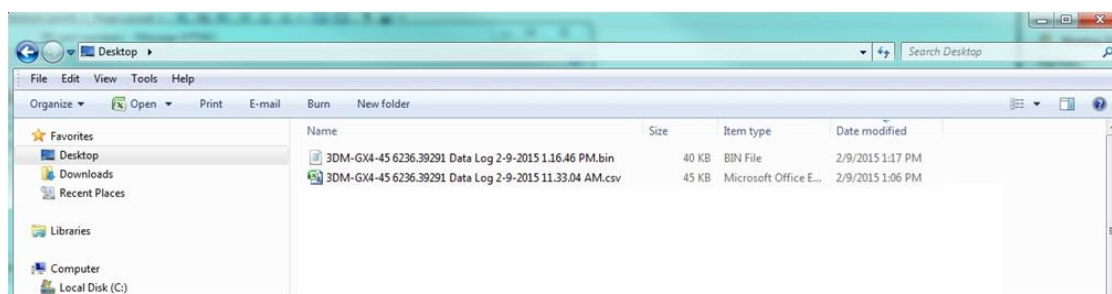


Figure 14 - Exploring Data

NOTE

Data in the data files is displayed in time sequence. If measurements are set to different data rates, not all time intervals will include a reading from each output that is being recorded.

4. Sensor Measurements

The 3DM-GX4-15™ block diagram (*Figure 15 - 3DM-GX4-15™ Block Diagram*) describes its primary hardware components and internal configuration. Integrated Micro-Electro-Mechanical System (MEMS) sensors within the 3DM-GX4-15™ are collectively known as the Inertial Measurement Unit (IMU) and include tri-axial gyroscopes (gyros) and tri-axial accelerometers, and a pressure altimeter. This technology provides direct measurements of acceleration, angular rate, pressure, delta-Theta (change in acceleration), and delta- v (change in velocity). Temperature and pressure sensors provide environmental information for measurement compensation and altitude estimations.

Computed estimations for attitude, acceleration, angular rate, and heading are available outputs on the 3DM-GX4-15™. To achieve these estimations, the MEMS sensors are processed by an IMU Estimation Filter (EF) microprocessor with an Adaptive Kalman Filter (AKF). Additional user settings such as measurement filtering, biasing, and tolerance values offer adjustments for specific applications.

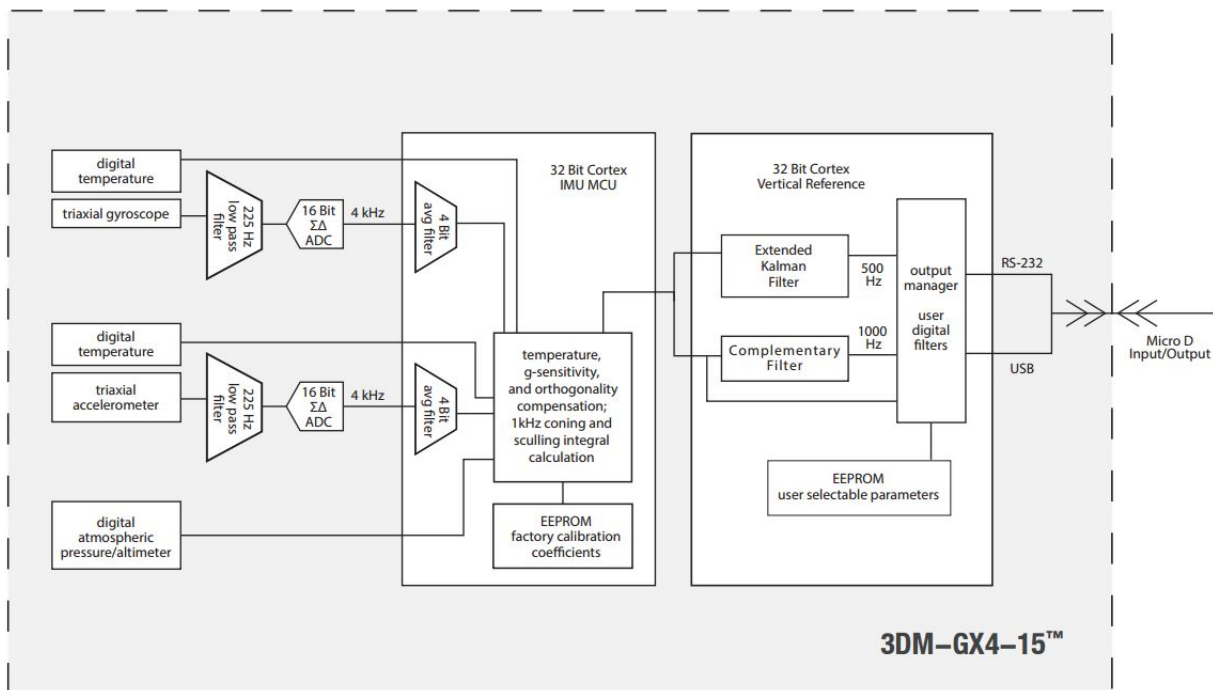


Figure 15 - 3DM-GX4-15™ Block Diagram

4.1 Direct Sensor Measurements (IMU Outputs)

The sensors in an Inertial Navigation System (INS), from which measurements for navigation and orientation are obtained, are collectively known as the Inertial Measurement Unit (IMU). These sensors are arranged on the three primary axes (x, y, and z) to sense angular rate and acceleration. The gyroscopes are used to adjust the current attitude estimate when an angular rate is sensed. The accelerometers sense gravity as well as linear acceleration. All measurements are temperature-compensated and are mathematically aligned to an orthogonal coordinate system.

The IMU sensors can be read directly to report stand alone inertial measurements or computed measurements. Because the sensor system is digital, the analog voltage readings from the sensors are converted into a digital equivalent value based on the volt-to-bit scale of the internal analog-to-digital voltage converter. In the MIP™ Monitor software the conversion values are not configurable, but there are user-settable options for how the measurement is made. These settings are available at: Settings > Device > IMU (tab). With the Help window open (accessed with the Help button), mousing over context-sensitive settings provides a detailed explanation of the setting (*Figure 16 - IMU Settings*).

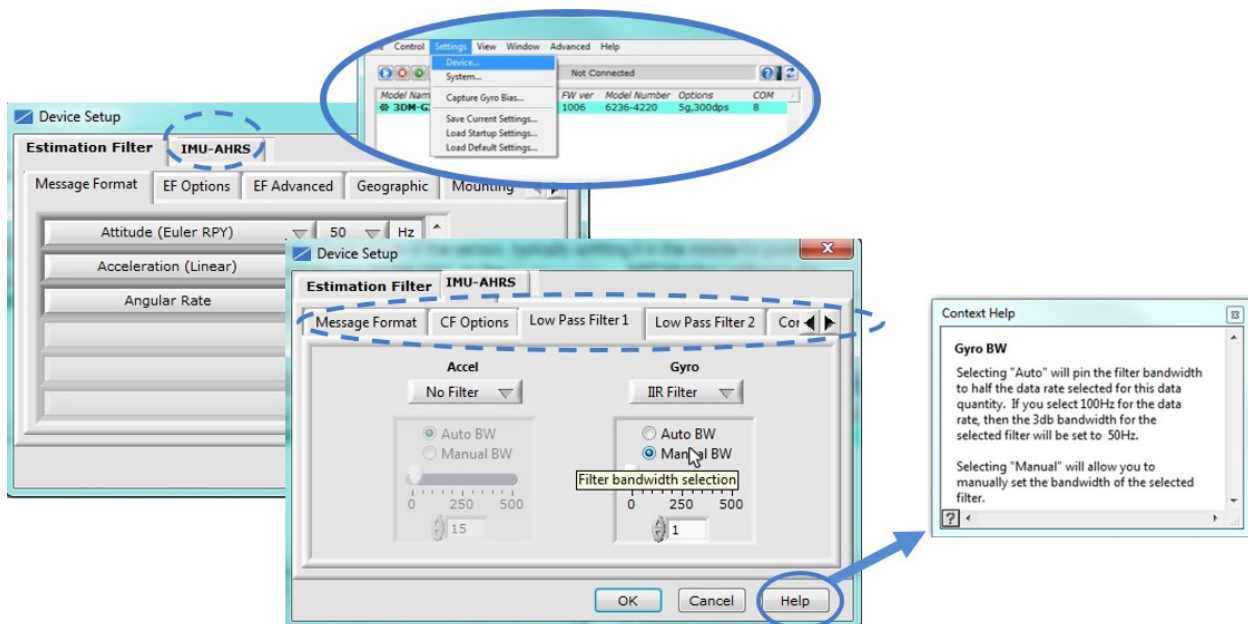


Figure 16 - IMU Settings

Table 4 - IMU Measurements lists the IMU measurements available for the 3DM-GX4-15™. Additional measurement units may be available in MIP™ Monitor for some outputs, however they are converted values and do not represent the actual sensor outputs. Only actual output units are listed.

The Complementary Filter (CF) attitude, and up and north vector outputs are computed estimations from the LORD MicroStrain® 3DM-GX3® inertial sensor family and are available to maintain backwards compatibility. For new applications it is recommended that these estimations be computed with the 3DM-GX4™ EF Outputs algorithms (*see Computed Outputs (Estimation Filter) on page 24*).

To view and record IMU outputs, *see Basic Setup and Operations on page 10*.

Measurement	Units	Description
Acceleration	gravitational force (g)	three axis acceleration readings in engineering units
Angular Rate	radian/second	three axis rotational velocity reading from gyroscope in engineering units
Delta Angle (Theta)	radians	time integral of angular rate with configurable time period
Delta Velocity	g*seconds	time integral of acceleration with configurable time period
GPS Correlation Timestamp	weeks, seconds, and status indicators	time metrics from the receiver for tracking IMU sensor data
Ambient Pressure	millibars	air pressure reading from pressure sensor
CF Attitude (Euler RPY)	radians	Complementary Filter (CF) Euler angles representation of orientation
CF Attitude (Matrix)	--	Complementary Filter (CF) matrix representation of orientation
CF Attitude (Quaternion)	--	Complementary Filter (CF) quaternions representation of orientation
CF North Vector *	--	Complementary Filter (CF) north vector
CF Up Vector	--	Complementary Filter (CF) up vector

* Not magnetometer stabilized in the 3DM-GX4-15™

Table 4 - IMU Measurements

4.2 Computed Outputs (Estimation Filter)

The computed outputs are measurements from the 3DM-GX4-15™ IMU sensors that are blended through an Adaptive Kalman Filter (AKF) algorithm. The Kalman Filter produces a better estimation of attitude than can be achieved by the inertial sensors individually. Refer to [Table 5 - Estimation Filter Outputs](#) for a complete list of outputs.

In the MIP™ Monitor software there are user-settable options for how the estimations are made. These settings are available at: Settings > Device > EF. With the Help window open (accessed with the Help button), mousing over context-sensitive settings provides a detailed explanation of the setting ([Figure 17 - Estimation Filter Settings](#)).

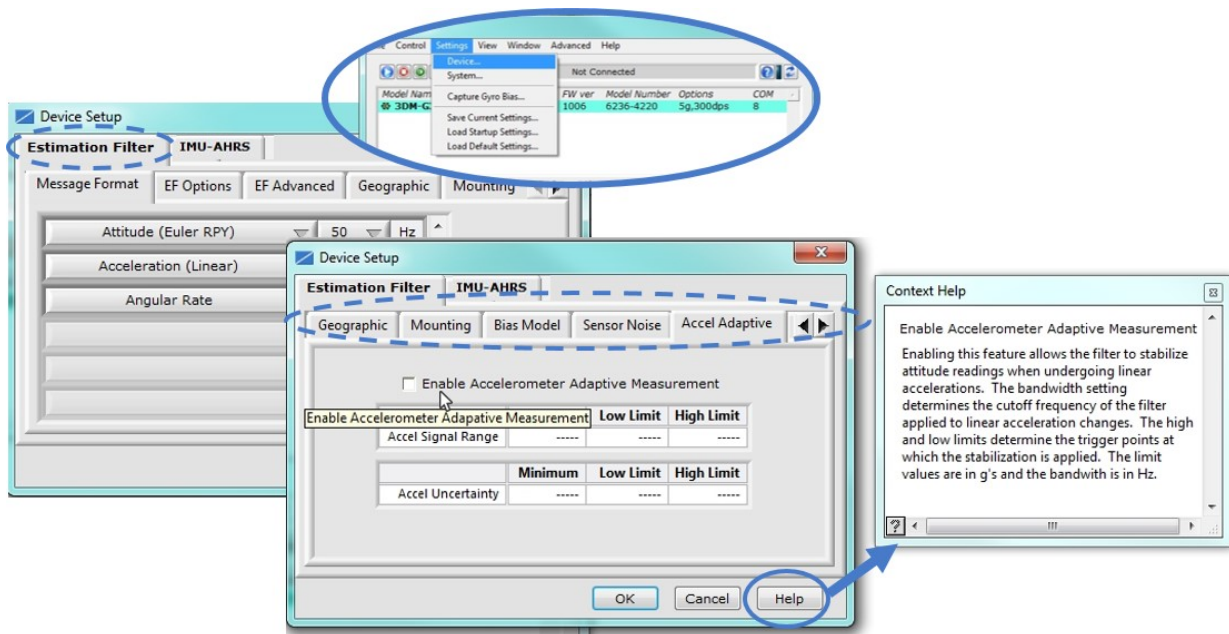


Figure 17 - Estimation Filter Settings

All of the estimation filter outputs are available to view and record in MIP™ Monitor. In addition to the standard attitude solution, additional filter outputs, such as uncertainties, inertial sensor bias and scale factors, filter status, and physical models (WGS84, WMM, and SAM) are available ([Table 5 - Estimation Filter Outputs](#)).

To view and record Estimation outputs, [see Basic Setup and Operations on page 10](#).

Measurement	Units	Description
Filter Status	--	indicates the current state of the EF, such as running or initializing
GPS Time	weeks & seconds	time corresponding to the calculated filter solution
Attitude (Euler RPY)	radians	Euler angles representation of orientation expressed as roll, pitch and yaw (RPY) with one-sigma uncertainty estimation available
Attitude (Matrix)	--	transformation matrix that describes orientation with reference to the Earth Centered Earth Fixed (ECEF) coordinate system
Attitude (Quaternion)	--	unit quaternions representation of orientation with one-sigma uncertainty estimation available
Acceleration (Linear)	meter/second ²	linear acceleration readings with reference to either the sensor or vehicle frame (depending on settings), with bias and scale readings, and one-sigma uncertainty estimations also available.
Compensated Angular Rate	radians/second	measured angular rate corrected using the estimated gyroscope scale factor and bias, with reference to either the sensor or vehicle frame
Gravity Vector	meter/second ²	estimated WGS84 gravity vector with reference to either the sensor or vehicle frame (depending on settings)
WSG-84 Local Gravity Magnitude	meter/second ²	local WGS84 gravity vector magnitude
Heading Update	radians	heading used to update EF, calculated from the selected heading source (magnetometer, external, etc.) with one-sigma uncertainty reading available
Pressure Altitude	meters (altitude)	altitude estimate from barometric pressure
SAM	meters (altitude) pressure (milli-bars) temperature (°C) density (kg/m ³)	altitude as derived from the U.S. Standard Atmospheric Model (SAM) using the sensed barometric pressure and air temperature

Table 5 - Estimation Filter Outputs

4.3 Sensor Reference Frames

4.3.1 Geodetic Frame

The World Geodetic System is the standard for cartography and navigation. The latest revision, WGS84, is the reference coordinate system for GPS, and the 3DM-GX4-15™ reports position using this coordinate frame. It also calculates the magnitude of the local gravity vector using the WGS84 reference formulas.

The WGS coordinates are latitude (ϕ), longitude (λ), and height (h) above the reference ellipsoid. Latitude ranges from -90 degrees at the South Pole to 90 degrees at the North Pole. Longitude ranges from -180 to 180 degrees, with 0 degrees being the prime meridian. The -180/180 degree switchover occurs in the middle of the Pacific Ocean and includes a section of the International Date Line. The model takes into account the oblateness of the Earth's surface.

A point (P) on or above the Earth in the WGS84 coordinate system is notated as: latitude (ϕ), longitude (λ), and height above the reference ellipsoid (h).

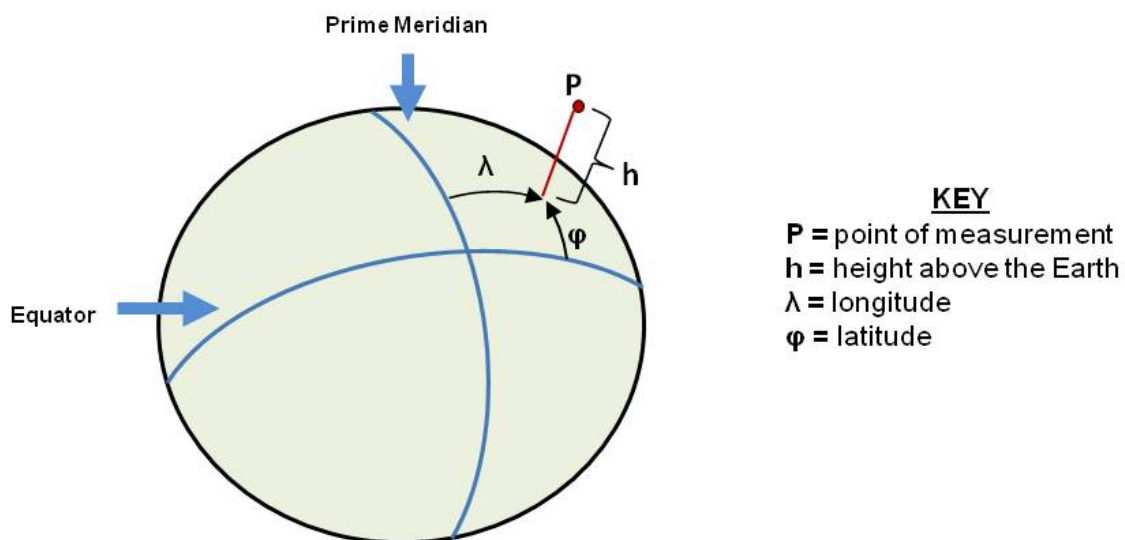


Figure 18 - World Geodetic System (WGS84) Reference Ellipsoid

4.3.2 North East Down (NED) Frame

The North-East-Down (NED) frame is a local coordinate frame, which is formed by a tangent plane located at a particular point (current coordinates) on the WGS84 reference ellipse. The NED frame is constructed with the (true) North vector along the line of longitude, the East vector along the line of latitude, and the Down vector normal to and towards the tangent plane (*Figure 19 - North East Down Frame*). The assumption when using the NED frame is that the local surface can be reasonably approximated by a flat plane. For most applications, this assumption is valid and provides a more intuitive reference frame for expressing velocity and attitude information than a global frame.

The 3DM-GX4-15™ reports velocity in this frame and attitude with respect to this frame.

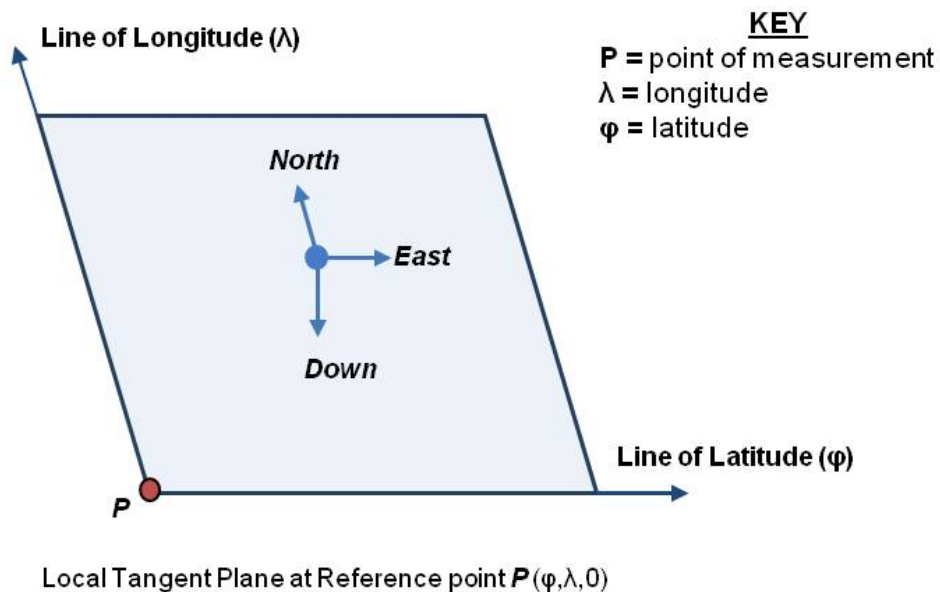


Figure 19 - North East Down Frame

4.3.3 Sensor Frame

The sensor frame is indicated on the top of the device and is oriented such that the x-axis vector is parallel with the long side of the sensor and points toward the sensor connector, the y-axis is 90° to the right of the x-axis, and the z-axis goes through the bottom of the sensor (outward). These axes were selected so that when the connector on the device is pointed north and the device is upright and level, the sensor frame will match the NED frame exactly, giving zero rotation.

The 3DM-GX4-15™ reports acceleration, angular rate, delta-Theta, delta-velocity, inertial sensor biases and corrections in this frame.

The orientation of the sensor frame with respect to the local NED frame can be viewed in the MIP™ Monitor software at: View > 3D Attitude menu. This window displays the orientation of the sensor in relationship to north and shows measurement origination for acceleration and angular rate. The view can be rotated for clicking, holding, and dragging the image. Options for true north and magnetic north georeferences are available through the magnetic declination correction setting at: Device Settings > EF settings > Geographic.

Refer to the 3DM-GX4-15™ dimensional diagram for the location of the measurement origin ([see Reference Diagrams on page 55](#)).

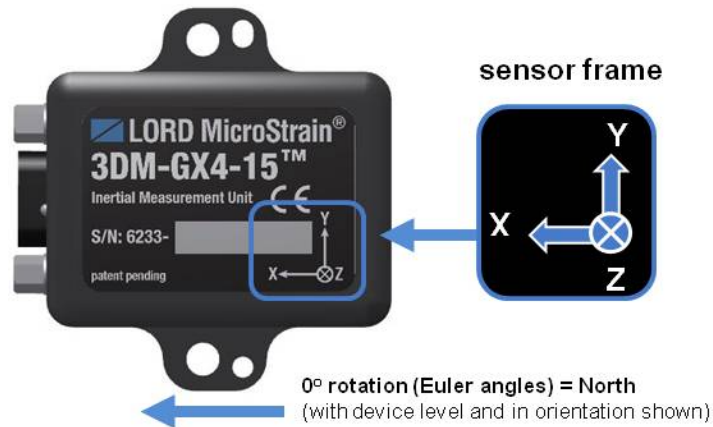


Figure 20 - Sensor Frame

5. Performance Optimization

5.1 Gyroscope Bias

Gyroscope biases (offsets) can be zeroed out to set a baseline value for the static home position and conditions in the application. This should be done after sensor installation.

To set the gyroscope baseline, place the sensor or sensor platform in the desired home position. Allow 2-3 minutes for the sensor to warm up and for the temperature to stabilize for the best bias capture. Select Settings > Capture Gyro Bias ([Figure 21 - Gyro Bias Capture](#)). The sensor must remain stationary for about twenty seconds while the outputs are being measured. A status message will appear when the capture has been completed.

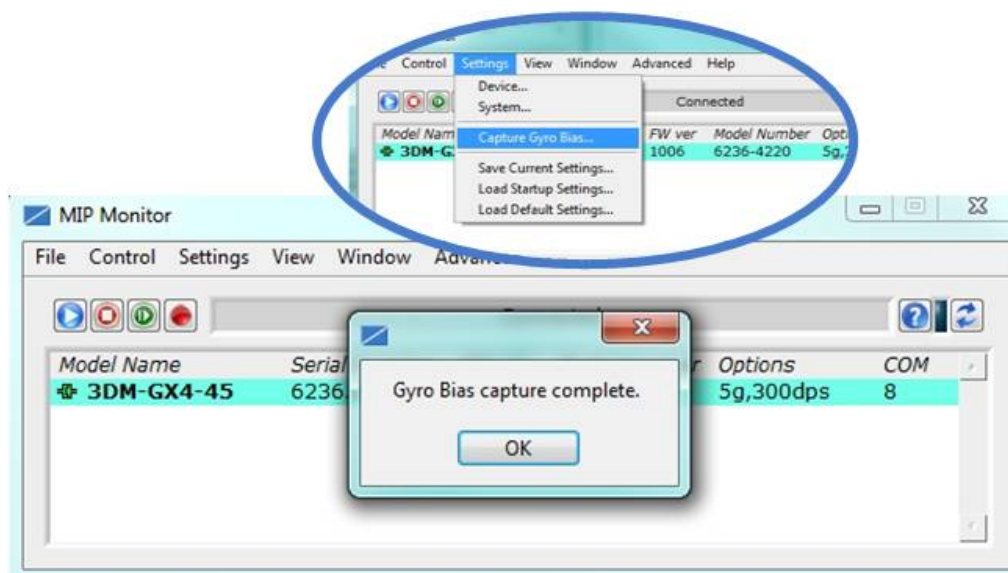


Figure 21 - Gyro Bias Capture

5.2 Heading Drift and Compensation

There are two options for the heading reference source: an external reference, or none. If the setting is an external reference, the user has to provide a heading reference. If the setting is none, the estimated heading will drift when little- or-no changes in velocity are sensed (e.g. when stationary or traveling in the same direction at a constant velocity).

To select between the heading sources in MIP™ Monitor select Settings > Device > Estimation Filter > EF Options.

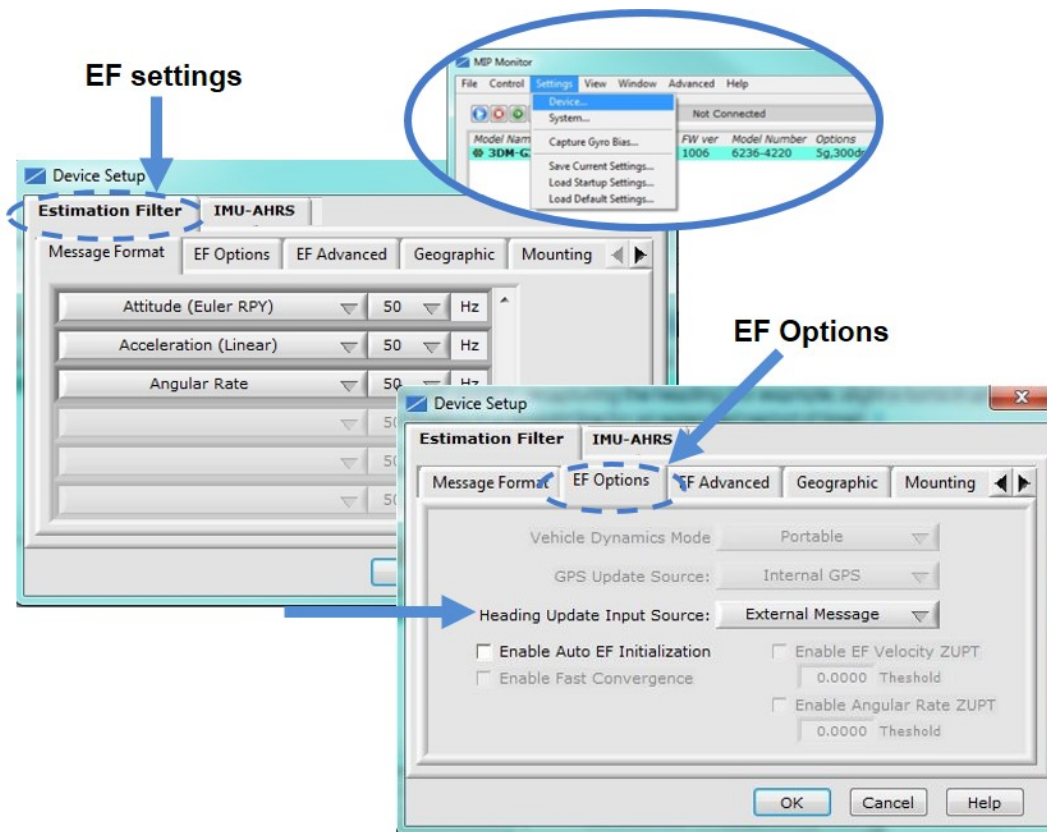


Figure 22 - Heading Source Setting

5.3 Angular Rate and Acceleration Limits

The 3DM-GX4-15™ angular rate and acceleration range depend on the sensors installed in the device. Exceeding the specified range for either sensor will result in estimated state errors and elevated uncertainties until the over-range event is corrected and the filter can resolve the errors.

5.4 Bandwidth

When selecting sensor and estimation outputs to be recorded, communication bandwidth considerations should be taken into account, especially when using RS232 serial communications. Lower baud rates equate to lower communication bandwidth, which can be consumed quickly by selecting a large number of measurements at high sample rates. Severely overrunning the communication bandwidth can have adverse effects on the sensor performance due to excessive processor usage. Most computer RS232 ports are limited to 115,200 baud even though the 3DM-GX4-15™ is capable of running at 921,600 baud.

5.5 Estimation Filter Operation

The 3DM-GX4-15™ combines the information from the IMU sensors to calculate an orientation solution that incorporates the strengths of the individual sensors while minimizing their weaknesses.

In a conventional attitude estimations several sources of error exist. First, the algorithm assumes the acceleration vector is dominated by Earth's gravity, with only transient linear accelerations. When long-duration linear accelerations are experienced, such as when an aircraft performs a sustained 2G turn, the sensor will report incorrect pitch and roll angles. This error is the direct result of the assumption that the accelerometers are only sensing Earth's gravity. A second source of error occurs when the device attempts to measure the Earth's magnetic field. This field is very weak compared to the numerous magnetic anomalies typically found on platforms, or naturally occurring close to the Earth's surface. A third source of error occurs when attempting to navigate between geographic way-points expressed in latitude and longitude. This error is due to the difference between detecting magnetic north, which is output by the sensor, and true north, which is used to define lines of longitude. If the sensor is always used in one geographical location, the user can correct for this difference using a constant offset. If the sensor is used over a wide range of longitude, the magnetic declination must be calculated from a magnetic model.

The 3DM-GX4-15™ runs a Adaptive Kalman Filter with a full-state dynamics model. The state propagation utilizes Newton's and Euler's equations of motion with the acceleration and angular rate treated as control inputs. Heading mis-alignments typically occur during periods of low dynamics.

The Kalman filter attitude for a total of 16 states: 4 attitude (quaternion), 3 accel bias, 3 gyro bias, 3 accel scale factor, and 3 gyro scale factor. The bias states are estimated in order to compensate for the time-varying biases inherent in MEMS inertial sensors, which are the largest error sources for these devices. The bias states are subtracted from the gyroscope and accelerometer inputs, thus providing more accurate inertial data to the propagation stage of the filter. This enhances overall accuracy.

The Kalman filter also provides statistical information about the quality of the estimated states described in a covariance matrix. The diagonal terms of the matrix are the variance of each state, thus the square root of these values are 1-sigma standard deviations. These values give the filter's estimation of how well it knows the individual states, given what it knows about the statistical properties of the noise sources of the various sensors and also provide feedback to the user as uncertainty values.

5.6 Estimation Filter Convergence

5.6.1 Initial Convergence

After a successful initialization, a period of convergence for the Kalman filter states occurs. Roll angle, and pitch angle typically converge very quickly. Heading, accelerometer bias, and gyro bias take more time to converge. If the initial attitude estimate provided to the filter is well outside of the true attitude, the filter may diverge and never recover. This is most likely to occur for the heading estimate when a poor value is used for initialization and when the vibration environment is strong. Should this occur, it is recommended that the filter be reset and new attitude estimate provided. Refer to the 3DM-GX4-15™ MIP™ DCP Manual for the various ways of providing an initial attitude estimate through a user-designed interface.

5.6.2 Bias Convergence

Accurate estimation of the biases can take several minutes to converge, therefore after the filter is initialized, the free-inertial performance will continue to improve until the bias estimations settles. The MEMS sensor manufacturers quote bias drift stability numbers which correspond to the expected drift in bias while the sensor is operating. The filter

attempts to track the changing biases over time, and a user can expect these bias estimates will be non-constant during a navigation run.

5.6.3 Output Uncertainty

The 3DM-GX4-15™ estimation data set includes a filter status field that contains a set of status flags. These flags pertain to high covariance values for attitude and inertial sensor parameters. These flags should be monitored and cross-checked against the corresponding uncertainty fields when they appear. This can assist in determining how trustworthy the solution generated by the Kalman filter is. When the filter is first initialized, it is likely that some of these values will be beyond limits, and the flags may be asserted. This fact should be taken into account when developing automated monitoring systems.

5.7 Vibration Isolation

The 3DM-GX4-15™ should be isolated from strong vibrations as much as possible. Strong, continuous vibrations appear as unaccounted noise to the estimation filter, degrading its performance.

5.8 IMU Sensor Calibration

All of the internal sensors in the 3DM-GX4-15™ are calibrated when the device is manufactured, and the calibration values are saved in the device memory. Recalibration is not required unless the device has been under conditions that exceed the operating specifications. For example, if the sensor has been exposed to excessive shock beyond the rated g-force, performance may be compromised. Indications of internal sensor damage may be seen as measurement offsets or drift when the sensor is in a neutral motionless position.

5.9 Temperature Compensation

All sensor conversion and calibration formulas include temperature compensation. All computed outputs and IMU sensor outputs are automatically adjusted for local temperature (*see [Direct Sensor Measurements \(IMU Outputs\)](#) on page 22*).

6. Sensor Installation

6.1 Sensor Mounting

The 3DM-GX4-15™ sensor housing is rated for indoor use only, unless used inside a protective enclosure.

The sensor has two mounting tabs with holes for fastening. There are two additional holes used for precise alignment with 2mm dowel pins. One of the holes is slotted to allow for relaxed pin positioning accuracy. The sensor can be mounted in any orientation, as required for the application (*see Sensor Reference Frames on page 26*). The axes are labeled on the face of the sensor for reference, and the sensor measurement origin is shown in the sensor dimensional drawing (*see Reference Diagrams on page 55*).

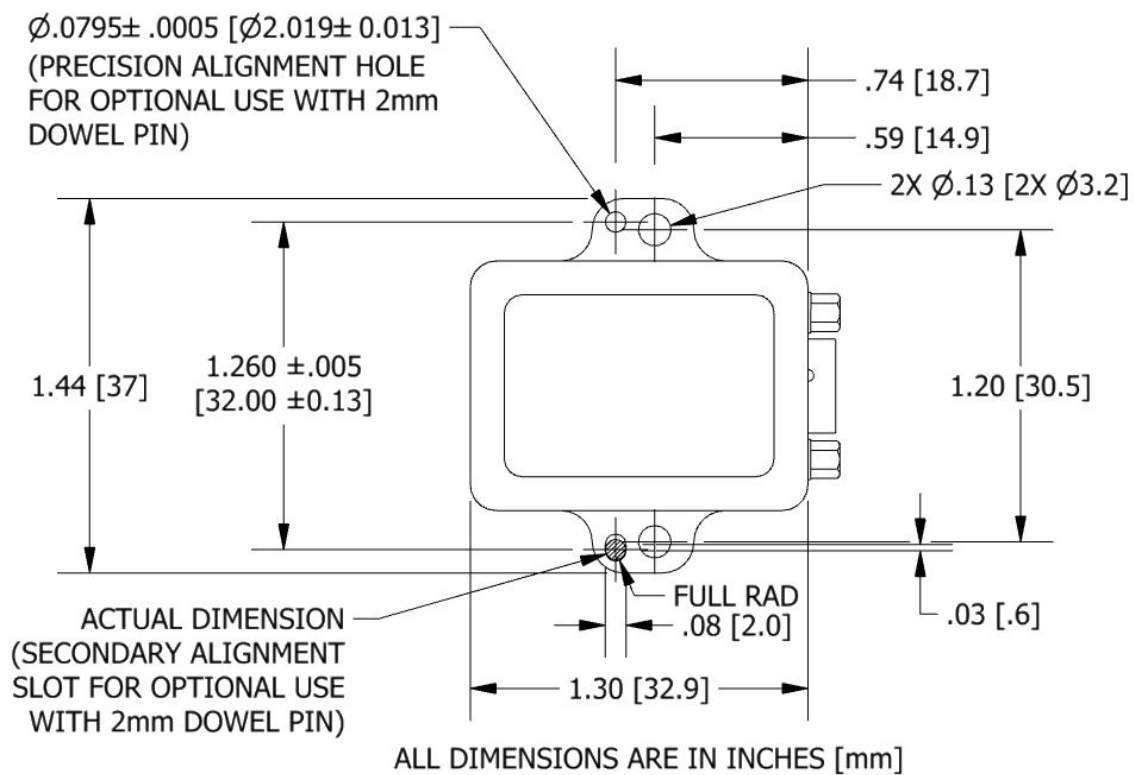


Figure 23 - Mounting the Sensor

7. OEM System Integration

The 3DM-GX4-15™ starter kit comes with everything that is needed for sensor configuration, operation, and data collection. However, many applications will require custom solutions because of physical or environmental constraints, required sensor output processing, or for integration into control systems that react to the sensor outputs. For these applications the 3DM-GX4-15™ is available as a stand-alone component with optional interface connectors. The communication protocol used for configuring and acquiring sensor data and estimations outputs is available for these applications as well.

7.1 Data Communications Protocol (DCP)

The LORD MicroStrain® MIP™ Data Communications Protocol includes all commands available for controlling and acquiring data from the 3DM-GX4-15™, including many that are not available in the MIP™ Monitor software. Programming is performed through a standard serial interface program. The programming interface is comprised of setup and control commands and a very flexible user-configurable data output format. The commands and data are divided into four command sets and three data sets corresponding to the internal architecture of the device. The protocol is packet-based. All commands, replies, and data are sent and received as fields in a message packet. The packets have a descriptor-type field based on their contents, so it is easy to identify if a packet contains commands, replies, or data.

The MIP™ software developers kit (SDK) includes sample code and can be found on the LORD MicroStrain® website Support page or by contacting Technical Support ([see *Technical Support on page 46*](#)).

The LORD MicroStrain® MIP™ Data Communications Protocol describes each command description, message syntax, and message option. It also provides examples, and can also be found on the LORD MicroStrain® website or through Technical Support.

7.1.1 Packet Builder

To expedite program development, a packet builder tool is included in the MIP™ Monitor software. The packet builder allows users to send multiple packets to the 3DM-GX4-15™ and view the resulting reply data.

Applicable protocol structure and design is described 3DM-GX4-15™ MIP™ DCP Manual. The manual can be found with software installation thumb-drive, on the LORD MicroStrain® website Support page or by contacting Technical Support ([see Technical Support on page 46](#)).

To use the packet builder select Advanced > Packet Builder from the MIP™ Monitor main window ([Figure 24 - Packet Builder](#)). The sensor must be in the Standard communications mode to use this feature.

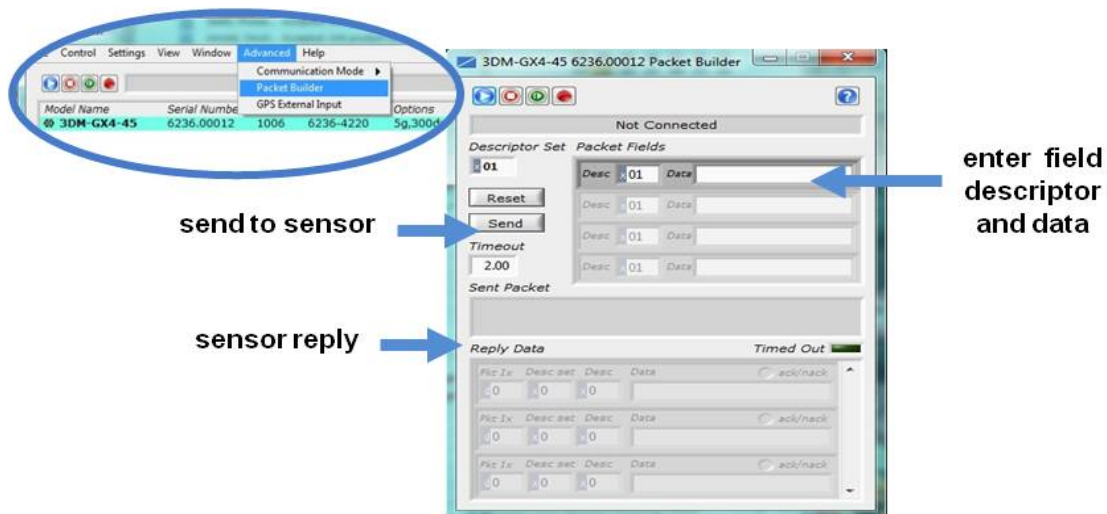


Figure 24 - Packet Builder

7.1.2 Sensor Direct Mode

The MIP™ Monitor software can be used to put the sensor in a mode that allows direct programmatic access to the internal Inertial Measurement Unit (IMU). The IMU has its own processor and protocol commands and native data outputs from the individual IMU sensors that may not be available in MIP™ Monitor.

When in Sensor Direct mode the device normal functionality is not available. The protocol commands used to interface with the IMU are a subset of the standard LORD MicroStrain® MIP™ Data Communications Protocol and are further described in the LORD MicroStrain® MIP™ Data Communications Protocol manual. For additional information contact LORD MicroStrain® Technical Support ([see Technical Support on page 46](#)).

To enter this mode select Advanced > Communications> Sensor Direct from the MIP™ Monitor main window. Once in this mode the device status message will indicate Sensor Direct Mode ([Figure 25 - Sensor Direct Mode](#)).

To exit Sensor Direct Mode select the Refresh button in the MIP™ Monitor at any time, or use Advanced > Communication menu to select the Standard operating mode.

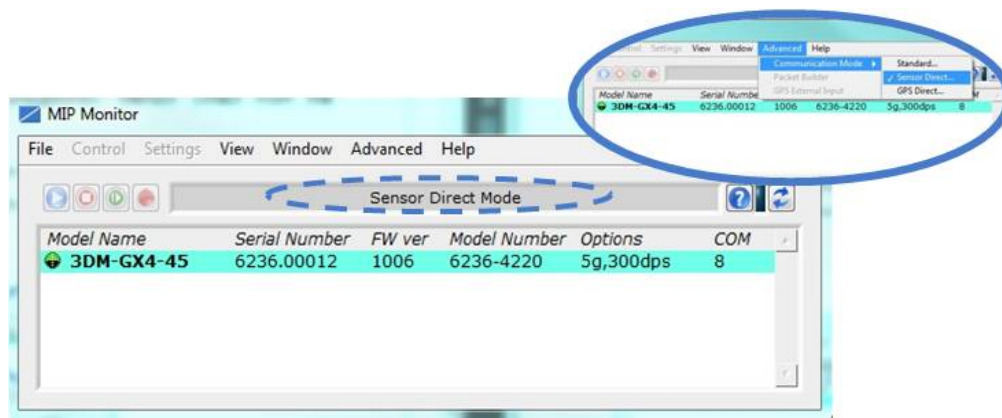


Figure 25 - Sensor Direct Mode

7.2 Sensor Wiring

⚠ WARNING

Only use power supplies within the operating range of the sensor, or permanent sensor damage or personal injury could result. There are two input power pins available, each with different voltage ranges. Connect only one at a time. Observe connection polarity.

Sensor power and serial communications cables are available from LORD MicroStrain® and come with the sensor starter kits. These cables will have the micro-DB9 connector on one end (to connect to the sensor) and either a standard DB9 on the other end (for RS232 communication) or a USB connector (for USB communications). Alternately, the micro-DB9 can be purchased from LORD MicroStrain® with flying leads or the connector by itself can be purchased from the manufacturer (Ulti-Mate Connector Inc.). [See Parts and Configurations on page 48](#) for a list of available options. a standard DB9 on the other end. For the cable diagram [see Reference Diagrams on page 55](#).

The connector interface includes connections for USB and RS232 communications (only connect one), two options for sensor input power range (only connect one), and a precision hardware timing input (PPS input) for synchronizing with external timestamps. The sensor selects the appropriate serial communication (USB or RS232) on power-up based on which connection is used.

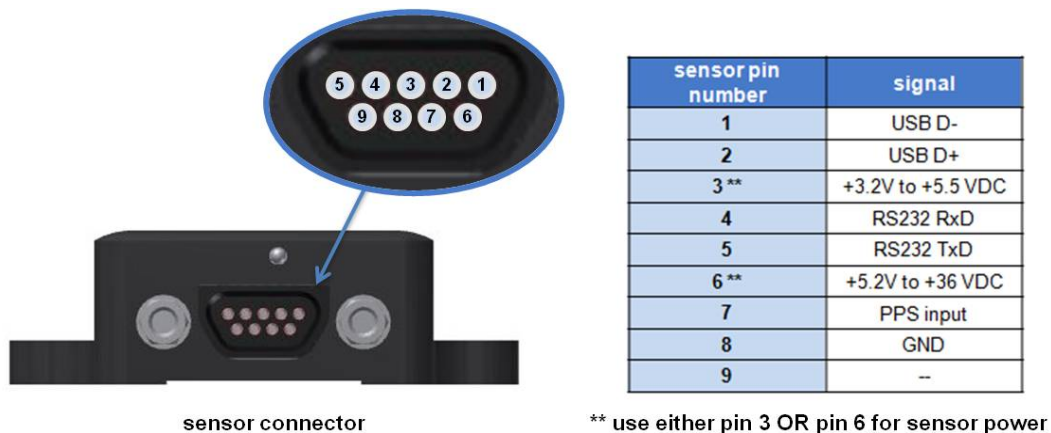


Figure 26 - Connector Wiring

7.3 Sampling on Start-up

The Save Current Settings command can be used to instruct the sensor to start streaming data as soon as it powered on. This can be useful in sensor integration applications in which immediate data acquisition is desired, and connection to MIP™ Monitor for data logging is not required. This functionality can also be embedded in user-designed applications by using the corresponding LORD MicroStrain® MIP™ Data Communications Protocol command ([see Data Communications Protocol \(DCP\) on page 35](#) for more information).

NOTE

When setting the sensor to begin sampling on start-up, verify that the sensor is sampling by reading the status indicator on the device ([see Interface and Indicators on page 9](#)), or by viewing the serial data stream from the host computer. If communication with MIP™ Monitor is established, the sampling will stop to facilitate device configuration.

To save the current sensor configuration, first adjust the sensor settings to the desired values, and then start streaming. Next select Settings > Save Current Settings from the main window ([Figure 27 - Save Sensor Settings](#)). The setting will remain intact when the sensor is powered off and then on again.

To recall the last saved settings select Settings > Load Startup Settings.

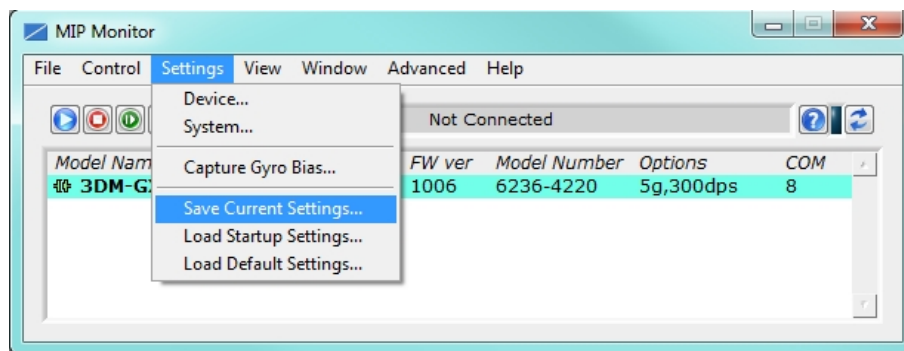


Figure 27 - Save Sensor Settings

7.4 Connecting to a Datalogger

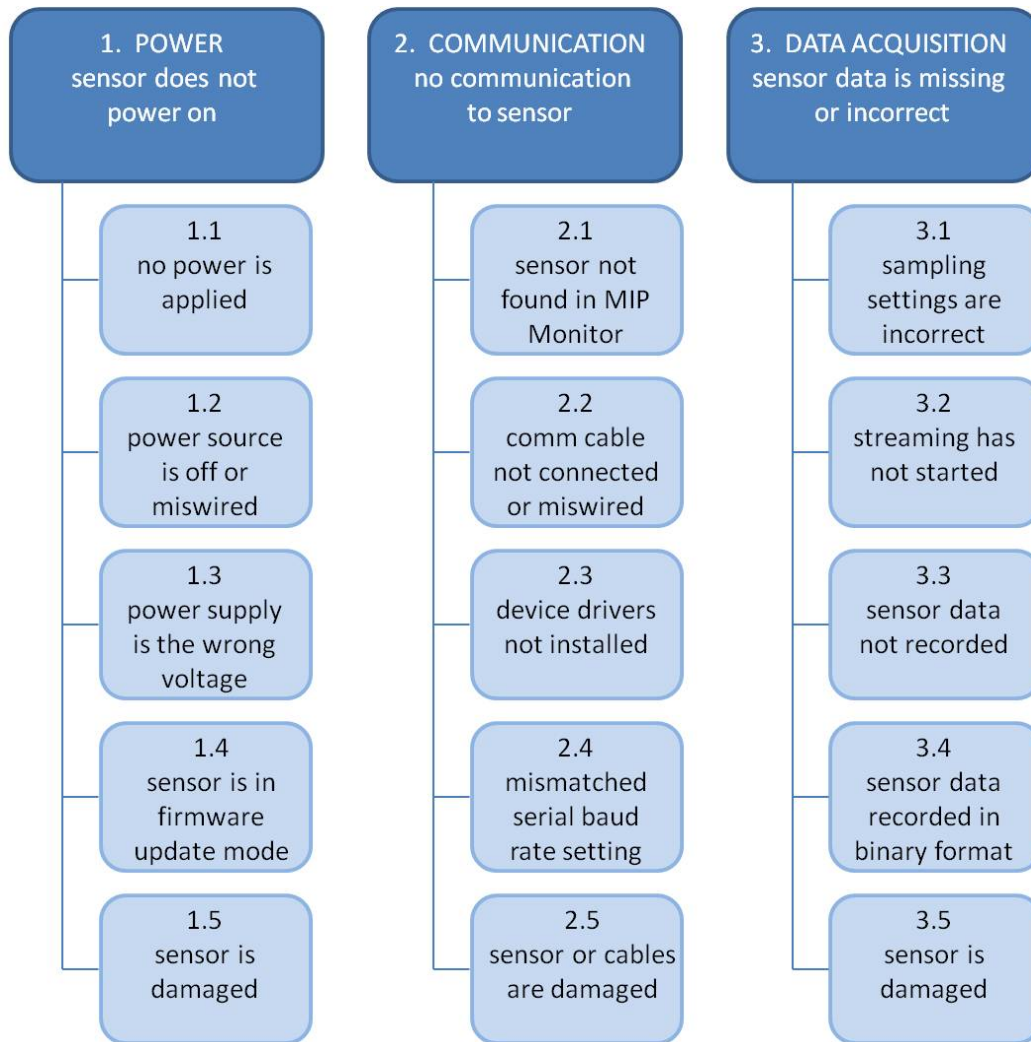
Many inertial applications incorporate dataloggers of all different types to collect and distribute sensor outputs. For more information and examples refer to the "Using Dataloggers with Inertial Sensors" Technical Note on the LORD MicroStrain® website, or contact LORD MicroStrain® Technical Support ([see *Technical Support on page 46*](#)).

7.5 Using Wireless Adapters

In some applications it can be very useful to set up wireless communications between the sensor to the host computer. One way this can be accomplished is by connecting the serial output of the sensor to a serial to wireless converter and then connecting the wireless receiver to the host computer. For more information and an example refer to the "Using RS232 Bluetooth Adapters" Technical Note on the LORD MicroStrain® website or contact LORD MicroStrain® Inertial Sensor Products Technical Support ([see *Technical Support on page 46*](#)).

8. Troubleshooting

8.1 Troubleshooting Guide



Problem	Possible cause and recommended solution
1. POWER sensor does not power on	1.1 no power is applied The status indicator on the device will be off. Make sure the sensor is connected to a power source and the status indicator illuminates.
	1.2 power source is off or miswired Verify the device power source is connected correctly.
	1.3 power supply is the wrong voltage Using a power supply other than the one provided with the device, or a supply that is outside of the device operating range, could result in permanent damage or cause it to not work properly.
	1.4 sensor is in firmware update mode Firmware update mode is used when updating firmware on the device. If the firmware updater fails, it is possible that the device can get stuck in the firmware update mode, and the sensor will be non-responsive. Contact LORD MicroStrain® Technical Support (See Technical Support on page 46).
	1.5 sensor is damaged If all power settings and connections have been verified, and the sensor is still unresponsive, contact LORD MicroStrain® Technical Support (See Technical Support on page 46).
2. COMMUNICATION no communication to sensor or GPS receiver	2.1 sensor not found in MIP™ Monitor In MIP™ Monitor use the Refresh button to look for the sensor again. If the sensor is still not found try cycling power to the sensor and refreshing.
	2.2 communication cable not connected or miswired Check, remove, and reconnect communications and power cables as applicable. Replace or rewire as needed.
	2.3 device drivers not installed Verify the drivers (included with MIP™ Monitor Software Suite) are installed on the computer and that the software has had

Problem	Possible cause and recommended solution
	<p>sufficient time to detect it. See Software Installation on page 11</p>
	<p>2.4 serial baud rate setting (not applicable to USB devices)</p> <p>The host computer serial port baud rate and the sensor baud settings must match in order for communication be established. In MIP™ Monitor this occurs automatically and the baud rate can only be changed once initial communication is established. To change the baud rate in MIP™ Monitor select Settings > System and select the desired rate.</p> <p>NOTE: if the baud rate is set higher than the computer serial port is capable of reading, communication will be permanently lost with the device. To recover, it will need to be connected to a higher speed port, connected via USB cable, or sent to LORD MicroStrain® for reconfiguration.</p>
	<p>2.5 sensor or cables are damaged</p> <p>Verify all connections, power, and settings. If available, try installing an alternate cable or sensor one at a time to see if the faulty device can be identified. If no conclusion can be determined, or to send a device in for repair, contact LORD MicroStrain® Technical Support (See Technical Support on page 46).</p>
<p>3. DATA ACQUISITION sensor data is missing or incorrect</p>	<p>3.1 sampling settings are incorrect</p> <p>If unexpected measurements or sampling rates are displayed or recorded, enter the Device Settings menu and verify the sampling settings.</p>
	<p>3.2 streaming has not started</p> <p>If data streaming is occurring the sensor device status indicator will also be flashing to indicate sampling. In MIP™ Monitor the device status information field will indicate Streaming. If the sensor is not streaming data, activate it in the software.</p>
	<p>3.3 sensor data not recorded</p> <p>Verify data recording has been activated. In MIP™ Monitor the device status information field will indicate Recording Data. If the sensor isn't recording, activate in the software. Verify</p>

Problem	Possible cause and recommended solution
	<p>specific measurements have been enabled for sampling and recording.</p> <p>NOTE: Data is recorded in time sequence. If measurements are set to different sample rates, not all time intervals will include a reading from each output that is being recorded.</p>
	<p>3.4 sensor data recorded in binary format</p> <p>When data recording is started the user can choose between CSV and Binary output formats. If the data is recorded in Binary format it will require a translation program that utilizes the LORD MicroStrain® MIP™ Data Communications Protocol to make it readable.</p>
	<p>3.5 sensor is damaged</p> <p>With the sensor in a static neutral position data, look for baseline offset or drift on the IMU sensor outputs. Sensor damage can occur as a result of excessive g-force other conditions outside of its operating specifications.</p>

8.2 Repair and Calibration



General Instructions

In order to return any LORD MicroStrain® product, you must contact LORD MicroStrain® Sales or Technical Support to obtain a Return Merchandise Authorization (RMA) number. All returned merchandise must be in the original packaging, including manuals, accessories, cables, etc. with the RMA number clearly printed on the outside of the package. Removable batteries should be removed and packaged in separate protective wrapping. Please include the LORD MicroStrain® model number and serial number, as well as your name, organization, shipping address, telephone number, and email. Normal turn-around for RMA items is seven days from receipt of item by LORD MicroStrain®.



Warranty Repairs

LORD MicroStrain® warrants its products to be free from defective material and workmanship for a period of one (1) year from the original date of purchase. LORD MicroStrain® will repair or replace, at its discretion, a defective product if returned to LORD MicroStrain® within the warranty period. This warranty does not extend to any LORD MicroStrain® products that have been subject to misuse, alteration, neglect, accident, incorrect wiring, misprogramming, or use in violation of operating instructions furnished by LORD MicroStrain®. It also does not extend to any units altered or repaired for warranty defect by anyone other than LORD MicroStrain®.



Non-Warranty Repairs

All non-warranty repairs/replacements include a minimum charge. If the repair/replacement charge exceeds the minimum, LORD MicroStrain® will contact the customer for approval to proceed beyond the minimum with the repair/replacement.

8.3 Technical Support

There are many resources for product support found on the LORD MicroStrain® website including technical notes, FAQs, and product manuals.

http://www.microstrain.com/support_overview.aspx

For further assistance our technical support engineers are available to help with technical and applications questions.

Technical Support

sensing_support@LORD.com

Phone: 802-862-6629

Fax: 802-863-4093

SKYPE: microstrain.orientation.support

Live Chat is available from the website during business hours:
9:00 AM to 5:00 PM (Eastern Time US & Canada)

9. Maintenance

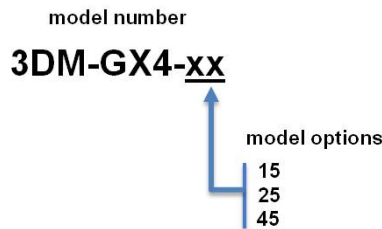
There are no user-serviceable parts on the 3DM-GX4-15™. Removing the device cover or disassembling in any way voids the product warranty.

10. Parts and Configurations

10.1 Standard Configurations

For the most current product information, custom, and OEM options not listed below, refer to the LORD MicroStrain® website or contact the LORD MicroStrain® Sales Department.

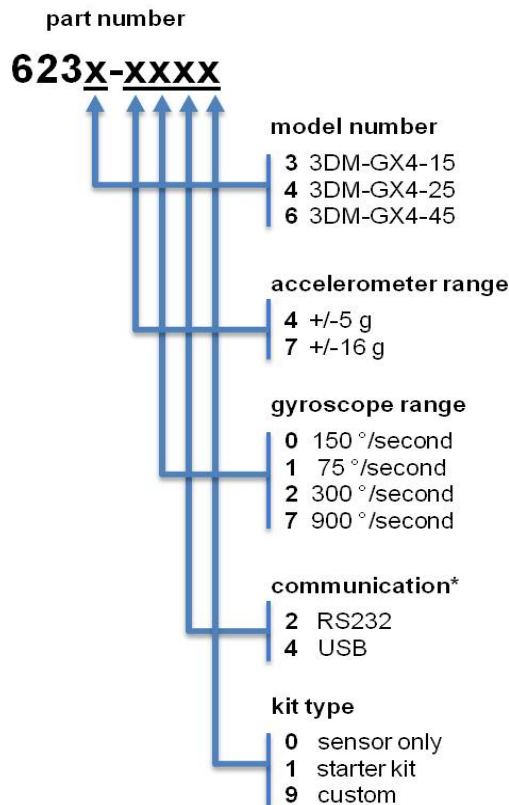
Table 6 - Model Numbers describes the standard models available at the time this manual was published. Once a model is selected, the part number is further defined by desired configuration and interface options. The model determines the first four digits of the product part number; the options are indicated in the last four digits (*Figure 28 - Standard Part Numbers*).



model number	triaxial accelerometers	triaxial gyroscope	triaxial magnetometer	internal GPS receiver	altitude measurements	Adaptive Kalman Filter	Extended Kalman Filter	part number
3DM-GX4-15	X	X			X	X		6233-XXXX
3DM-GX4-25	X	X	X		X	X		6234-XXXX
3DM-GX4-45	X	X	X	X	X		X	6236-XXXX

Table 6 - Model Numbers

The same options are available in each model, and are indicated in the last four digits of the product part number. For a list of the starter kit contents, [see Components on page 8](#).



*Communication option is only for the selection of the cable provided in starter kits. The sensor is capable of RS232 and USB communication. Use 2 for sensor only kits.

Figure 28 - Standard Part Numbers

Description	LORD MicroStrain® Part Number
3DM-GX4-15 Starter Kit (RS232, +/-5g, 300°/sec)	6233-4221
3DM-GX4-15 Starter Kit (USB, +/-5g, 300°/sec)	6233-4241
3DM-GX4-25 Starter Kit (RS232, +/-5g, 300°/sec)	6234-4221
3DM-GX4-25 Starter Kit (USB, +/-5g, 300°/sec)	6234-4241
3DM-GX4-45 Starter Kit (RS232, +/-5g, 300°/sec)	6236-4221
3DM-GX4-45 Starter Kit (USB, +/-5g, 300°/sec)	6236-4241

Table 7 - Example Part Numbers

10.2 Accessories

The following parts are available for use with the 3DM-GX4™, and some are included in sensor starter kits ([see Components on page 8](#)). For the most current product information refer to the LORD MicroStrain® website or contact the Sales Department. [See Sales Support on page 51](#).

Description	LORD MicroStrain® Part Number
RS232 communications cable	4005-0037
USB communications cable	9022-0019
Power supply (RS232 systems only)	9011-0009
Power supply country plug adapter kit (RS232 systems only)	9011-0022
MIP™ Monitor Software Suite flash drive	8200-0020
Sensor mating connector (micro-DB9) with flying leads	6224-0100

Table 8 - Sensor Accessories

Description	Manufacturer part number
“A” Series or “P” Series 9-pin male Micro-D connector	Ulti-Mate PR09N05

Table 9 - Sensor Mating Connector

10.3 Sales Support

Products can be ordered directly from the LORD MicroStrain® website by navigating to the product page and using the Buy feature.

<http://www.microstrain.com/inertial>

For further assistance, our sales team is available to help with product selection, ordering options, and questions.

Sales Support

sensing_sales@LORD.com

Phone: 802-862-6629

Fax: 802-863-4093

9:00 AM to 5:00 PM (Eastern Time US & Canada)

11. Specifications

General		
Integrated sensors	Triaxial accelerometer, triaxial gyroscope, temperature sensors, and pressure altimeter	
Data outputs	<p>Inertial Measurement Unit (IMU) outputs: acceleration, angular rate, ambient pressure, deltaTheta, deltaVelocity</p> <p>Computed outputs: Adaptive Kalman Filter (AKF): filter status, GPS timestamp, attitude estimates (Euler angles, quaternion, orientation matrix), bias compensated angular rate, pressure altitude, gravity-free linear acceleration, attitude uncertainties, gyroscope and accelerometer bias, scale factors and uncertainties, gravity models, and more. Complementary Filter (CF): attitude estimates (Euler angles, quaternion, orientation matrix), north and gravity vectors, GPS correlation timestamp</p>	
Inertial Measurement Unit (IMU) Sensor Outputs		
	Accelerometer	Gyroscope
Measurement range	±5 g (standard) ±16g (option)	300°/sec (standard) ±75, ±150, ±900 °/sec (options)
Non-linearity	±0.03 % fs	±0.03 % fs
Resolution	<0.1 mg	<0.008°/sec
Bias instability	±0.04 mg	10°/hr
Initial bias error	±0.002 g	±0.05°/sec
Scale factor stability	±0.05 %	±0.05 %
Noise density	100 µg/√Hz	0.005°/sec/√Hz
Alignment error	±0.05°	±0.05°
Adjustable bandwidth	225 Hz (max)	250 Hz (max)
Offset error over temperature	0.06% (typ)	0.05% (typ)
Gain error over temperature	0.05% (typ)	0.05% (typ)
Scale factor non-linearity (@ 25° C)	0.02% (typ) 0.06% (max)	0.02% (typ) 0.06% (max)
Vibration induced noise	--	0.072°/s RMS/g RMS
Vibration rectification error (VRE)	--	0.001°/s/g ² RMS
IMU filtering	4 stage filtering: Analog bandwidth filter to digital sigma-delta wide band anti-aliasing filter to digital averaging filter (user adjustable) sampled at 4 kHz, and scaled into physical units; coning and sculling integrals computed at 1 kHz	
Sampling rate	4 kHz	4 kHz
IMU data output rate	1 Hz to 1000 Hz	
Pressure Altimeter		
Range	-1800 m to 10,000 m	
Resolution	<0.1 m	
Noise density	0.01 hPa RMS	
Sampling rate	10 Hz	

Computed Outputs	
Roll and pitch accuracy	AKF outputs: $\pm 0.25^\circ$ RMS (typ) CF outputs: $\pm 0.5^\circ$ roll, pitch, and heading (static, typ), $\pm 2.0^\circ$ roll, pitch, and heading (dynamic, typ)
Roll and pitch range	360° about all axes
Roll and pitch resolution	< 0.01°
Roll and pitch repeatability	0.3° (typ)
Calculation update rate	500 Hz
Computed data output rate	AKF outputs: 1 Hz to 500 Hz CF outputs: 1 Hz to 1000 Hz
Operating Parameters	
Communication	USB 2.0 (full speed) RS232 (9,600 bps to 921,600 bps, default 115,200)
Power source	+ 3.2 to + 36 V dc
Power consumption	100 mA (typ), 120 mA (max) with $V_{pri} = 3.2$ V dc to 5.5 V dc 550 mW (typ), 800 mW (max) with $V_{aux} = 5.2$ V dc to 36 V dc
Operating temperature	-40 °C to +85 °C
Mechanical shock limit	500 g (calibration unaffected) 1000 g (bias may change) 5000 g (survivability)
MTBF	1.2 million hours (Telcordia method I, GL/35C) 0.45 million hours (Telcordia method I, GM/35C)
Physical Specifications	
Dimensions	36.0 mm x 24.4 mm x 11.1 mm (excluding mounting tabs), 36.6 mm (width across tabs)
Weight	16.5 grams
Regulatory compliance	ROHS, CE
Integration	
Connectors	Data/power output: micro-DB9
Software	MIP™ Monitor, Windows XP/Vista/7/8 compatible
Compatibility	Protocol compatibility with 3DM-GX3® and 3DM-RQ1-45™ sensor families,
Software development kit (SDK)	MIP™ data communications protocol with sample code available (OS and computing platform independent)

12. Safety Information

This section provides a summary of general safety precautions that must be understood and applied during operation and maintenance of components in the LORD MicroStrain® Inertial Sensor Products. Throughout the manual, ANSI Z535 standard safety symbols are used to indicate a process or component that requires cautionary measures.



Situations in which potentially hazardous conditions exist that could result in death or serious injury of workers and/or the general public if not avoided.



Situations where a non-immediate or potential hazard presents a lesser threat of injury that could result in minor or moderate injury to workers and/or the general public.



Situations where a non-immediate or potential hazard presents a risk to damage of property and equipment. May be used to indicate important operational conditions.

12.1 Disposal and Recycling



The 3DM-GX4™ contains internal printed circuit boards and electronic components. These items are known to contain toxic chemicals and heavy metals that are harmful to humans health and the environment. Disposal is subject to federal and local laws. Do not discard the device in the trash. Follow proper electronic waste disposal protocol, as dictated by federal and local authorities. Some states also have programs for extracting reusable parts for recycling.

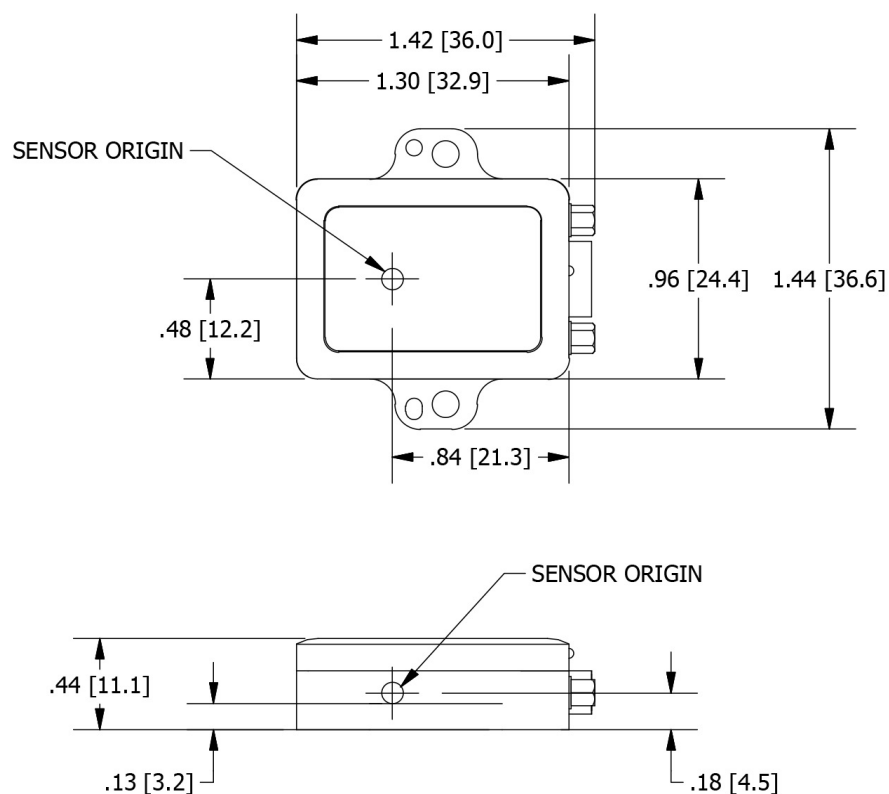
13. Addendum

13.1 Reference Diagrams

The diagrams in this section are to intended to aid in product installation and troubleshooting. For more information contact LORD MicroStrain® Technical Support ([see Technical Support on page 46](#)).

13.1.1 Sensor Dimensions and Origin

This diagram describes the sensor physical specification including the measurement point of origin.

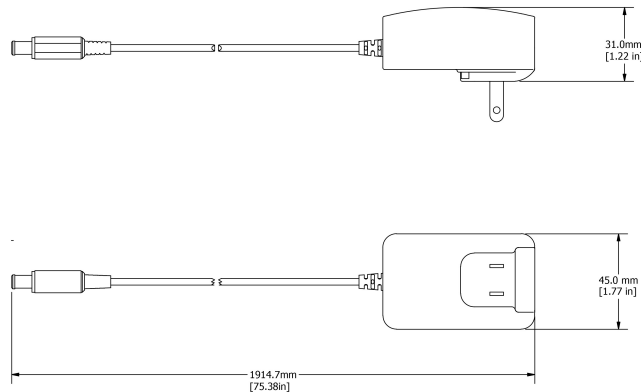


ALL DIMENSIONS ARE IN INCHES [mm]

Figure 29 - 3DM-GX4™ Sensor Origin

13.1.2 Power Supply Specifications (RS232 kits only)

The power supply is only required for the RS232 devices. These specifications describe the power supply included in the 3DM-GX4™ starter kit.



Operating Parameters	
AC input voltage rating	100 to 240 V ac
AC input voltage range	90 to 264 V ac
AC input frequency range	47 to 63 Hz
AC input current	0.25 A (RMS) maximum @ 120 V ac 0.125 A (RMS) maximum @ 240 V ac
Leakage current	0.25 mA maximum @ 254 V ac
Inrush current (cold start @ 25 °C)	< 30 A for 120V ac @ maximum load < 60 A for 240 V ac @ maximum load
Input power saving (at no load)	0.3 W maximum
DC voltage rating	9 V dc
DC load capacity	0.56 A maximum
Ripple	90 mV peak to peak maximum
Regulation	± 5 % line and load
Efficiency	≥ 72.3 % average
Hold-up time	10 mS @ 120 V ac and maximum load
Circuit protection	> 120 %, auto restart
Over-voltage protection	> 120 %, zener clamp
Safety approvals	cUL/UL, TUV, SAA, CE, C-Tick, GS, EISA, N136
Environmental Parameters	
Operating temperature	0 °C to +40 °C
Storage temperature	-25 °C to +85 °C
Humidity	10 to 90 %
Emissions	FCC Class B, EN55022 Class B
Dielectric withstanding (hi-pot) test	primary to secondary: 3000 V ac
Physical Specifications	
Dimensions	71.7 mm x 45 mm x 28.9 mm
Weight	120 g
DC output connector	2.1 mm x 5.5 mm center positive standard
Mating connector	Kycon KLD-0202-A or equivalent

13.1.3 Communication and Power Cables

These diagrams describe the cables included in the 3DM-GX4™ starter kits. Only one is included in each kit, depending on the type of kit ordered.

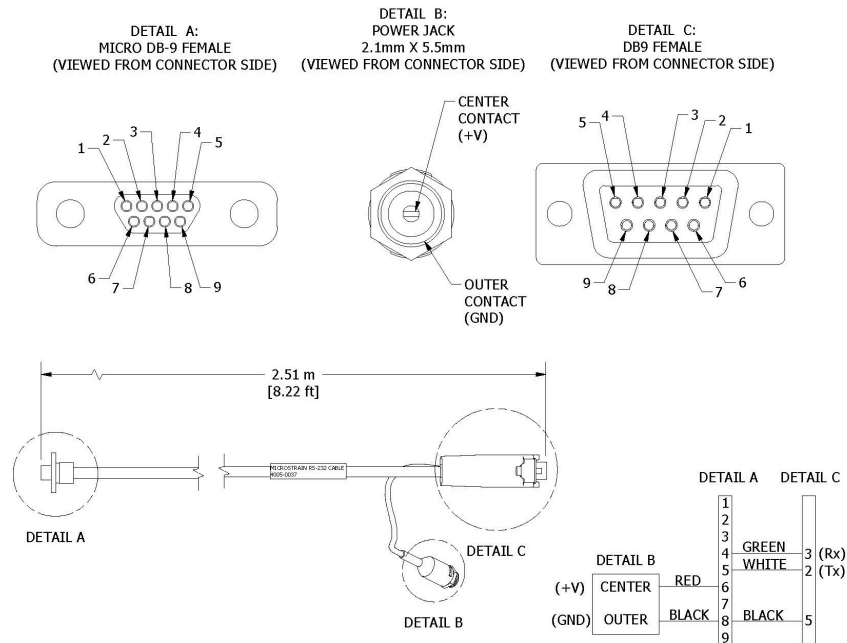


Figure 30 - Communications and power cable (RS232 Kits, PN: 4005-0037)

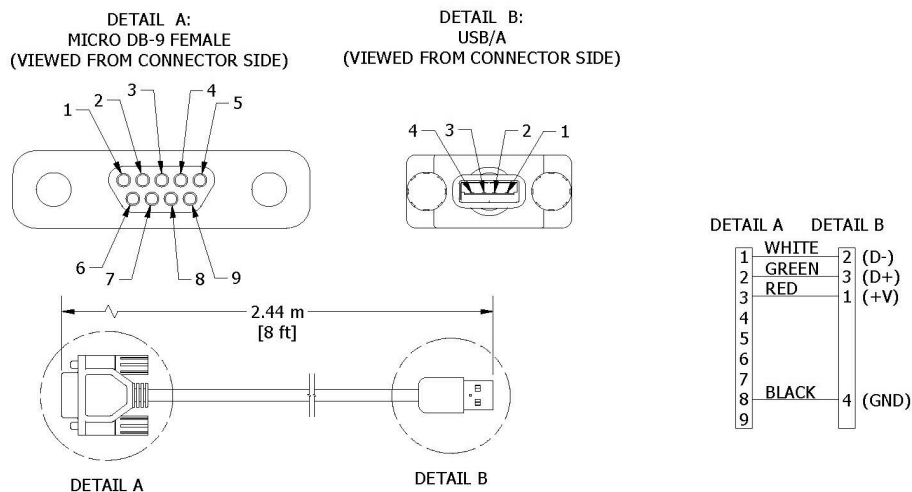


Figure 31 - Communications cable (USB Kits, PN: 9022-0019)

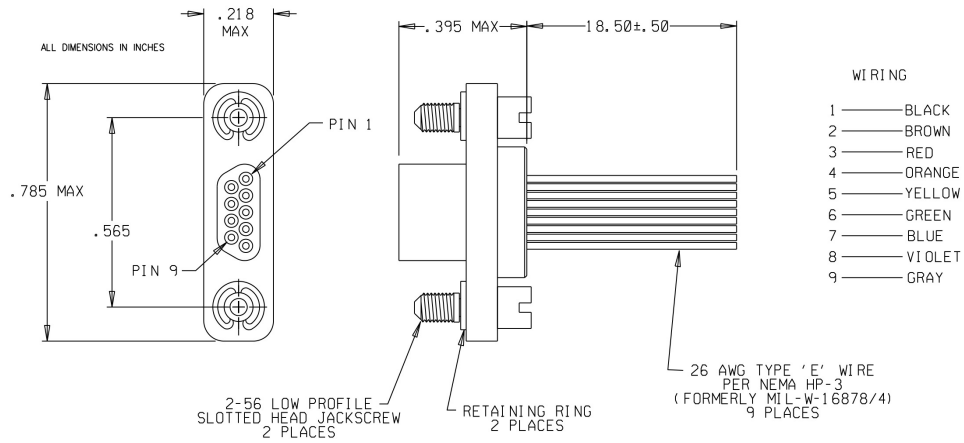


Figure 32 - Connector interface cable (sold separately, PN: 6224-0100)

13.2 Reference Documents

Many references are available on the LORD MicroStrain® website including product user manuals, technical notes, and quick start guides. These documents are continuously updated and may provide more accurate information than printed or file copies.

Document	Where to find it
3DM-GX4-15™ Software Developers Kit	http://www.microstrain.com/software-development-kits-sdks
3DM-GX4-15™ MIP™ DCP Manual	http://www.microstrain.com/support/docs
Product Technical Notes	http://www.microstrain.com/support/docs
Product Application Notes	http://www.microstrain.com/applications
Product Datasheets	http://www.microstrain.com/lord-microstrain-inertial-sensors-all-products
NIST Calibration Procedures	http://www.nist.gov/calibrations/
ASTM Testing Procedures	http://www.astm.org/Standard/standards-and-publications.html

Table 10 - Document Resources

13.3 Glossary

A

A/D Value

The digital representation of analog voltages in an analog-to-digital (A/D) conversion. The accuracy of the conversion is dependent on the resolution of the system electronics. Higher resolution produces a more accurate conversion.

Acceleration

In physics, acceleration is the change in the rate of speed (velocity) of an object over time.

Accelerometer

A sensor used to detect and measure magnitude and direction of an acceleration force (g-force) in reference to its sensing frame. For example, at rest perpendicular to the Earth's surface an accelerometer will measure 9.8 meters/second squared as a result of gravity. If the device is tilted the acceleration force will change slightly, indicating tilt of the device. When the accelerometer is moving it will measure the dynamic force (including gravity).

Adaptive Kalman Filter (AKF)

A type of Extended Kalman Filter (EKF) that contains an optimization algorithm that adapts to dynamic conditions with a high dependency on adaptive technology. Adaptive technology refers to the ability of a filter to selectively trust a given measurement more or less based on a trust threshold when compared to another measurement that is used as a reference. Sensors that have estimation filters that rely on adaptive control elements to improve their estimations are referred to as an AKF.

AHRS (Attitude and Heading Reference System)

A navigation device consisting of sensors on the three primary axes used to measure vehicle direction and orientation in space. The sensor measurements are typically processed by an onboard algorithm, such as an Estimation Filter, to produce a standardized output of attitude and heading.

Algorithm

In math and science, an algorithm is a step-by-step process used for calculations.

Altitude

the distance an object is above the sea level

Angular rate

The rate of speed of which an object is rotating. Also known as angular frequency, angular speed, or radial frequency. It is typically measured in radians/second.

API (Applications Programming Interface)

A library and/or template for a computer program that specifies how components will work together to form a user application: for example, how hardware will be accessed and what data structures and variables will be used.

ASTM (Association of Standards and Testing)

a nationally accepted organization for the testing and calibration of technological devices

Attitude

the orientation of an object in space with reference to a defined frame, such as the North-East-Down (NED) frame

Azimuth

A horizontal arc measured between a fixed point (such as true north) and the vertical circle passing through the center of an object

B

Bias

A non-zero output signal of a sensor when no load is applied to it, typically due to sensor imperfections. It is also called offset.

C

Calibration

to standardize a measurement by determining the deviation standard and applying a correction, or calibration, factor

Complementary Filter (CF)

A term commonly used for an algorithm that combines the readings from multiple sensors to produce a solution. These filters typically contain simple filtering elements to smooth out the effects of sensor over-ranging or anomalies in the magnetic field.

Configuration

A general term applied to the sensor indicating how it is set up for data acquisition. It includes settings such as sampling rate, active measurements, measurement settings, offsets, biases, and calibration values

Convergence

when mathematical computations approach a limit or a solution that is stable and optimal.

D

Data Acquisition

the process of collecting data from sensors and other devices

Data Logging

the process of saving acquired data to the system memory, either locally on the device, or remotely on the host computer

Data rate

the rate at which sampled data is transmitted to the host

Delta-Theta

the time integral of angular rate expressed with reference to the device local coordinate system, in units of radians

Delta-velocity

the time integral of velocity expressed with reference to the device local coordinate system, in units of $g \cdot \text{second}$ where g is the standard gravitational constant

E

ECEF (Earth Centered Earth Fixed)

a reference frame that is fixed to the earth at the center of the earth and turning about earth's axis in the same way as the earth

Estimation Filter

A mathematical algorithm that produces a statistically optimum solution using measurements and references from multiple sources. Best known estimation filters are the Kalman Filter, Adaptive Kalman Filter, and Extended Kalman Filter.

Euler angles

Euler angles are three angles use to describe the orientation of an object in space such as the x, y and z or pitch; roll; and yaw. Euler angles can also represent a sequence of three elemental rotations around the axes of a coordinate system.

Extended Kalman Filter (EKF)

Used generically to describe any estimation filter based on the Kalman Filter model that can handle non-linear elements. Almost all inertial estimation filters are fundamentally EKFs.

G

GNSS (Global Navigation Satellite System)

a global network of space based satellites (GPS, GLONASS, BeiDou, Galileo, and others)

used to triangulate position co-ordinates and provide time information for navigational purposes

GPS (Global Positioning System)

a U.S. based network of space based satellites used to triangulate position co-ordinates and provide time information for navigational purposes

Gyroscope

a device used to sense angular movements such as rotation

H

Heading

an object's direction of travel with reference to a co-ordinate frame, such as latitude and longitude

Host (computer)

The host computer is the computer that orchestrates command and control of attached devices or networks.

I

IMU

Inertial Measurement System

Inclinometer

device used to measure tilt, or tilt and roll

Inertial

pertaining to systems that have inertia or are used to measure changes in inertia as in angular or linear accelerations

INS (Inertial Navigation System)

systems that use inertial measurements exclusively to determine position, velocity, and attitude, given an initial reference

K

Kalman Filter

a linear quadratic estimation algorithm that processes sensor data or other input data over time, factoring in underlying noise profiles by linearizing the current mean and covariance to produces an estimate of a system's current state that is statistically more precise than what a single measurement could produce

L

LOS (Line of Sight)

Describes the ideal condition between transmitting and receiving devices in a wireless network. As stated, it means they are in view of each other with no obstructions.

M

Magnetometer

A type of sensor that measures the strength and direction of the local magnetic field with reference to the sensor frame. The magnetic field measured will be a combination of the earth's magnetic field and any magnetic field created by nearby objects.

MEMS (Micro-Electro-Mechanical System)

The technology of miniaturized devices typically made using micro fabrication techniques such as nanotechnology. The devices range in size from one micron to several millimeters and may include very complex electromechanical parts.

N

NED (North-East-Down)

A geographic reference system

O

OEM

acronym for Original Equipment Manufacturer

Offset

A non-zero output signal of a sensor when no load is applied to it, typically due to sensor imperfections. Also called bias.

Orientation

The orientation of an object in space with reference to a defined frame. Also called attitude.

P

Pitch

In navigation pitch is what occurs when vertical force is applied at a distance forward or aft from the center of gravity of the platform, causing it to move up or down with respect to the sensor or platform frame origin.

Position

The spatial location of an object

PVA

acronym for Position, Velocity, Attitude

Q

Quaternion

Mathematical notation for representing orientation and rotation of objects in three dimensions with respect to the fixed earth coordinate quaternion. Quaternions convert the axis–angle representation of the object into four numbers and to apply the corresponding rotation to a position vector representing a point relative to the origin.

R

Resolution

In digital systems, the resolution is the number of bits or values available to represent analog voltages or information. For example, a 12-bit system has 4096 bits of resolution and a 16-bit system has 65536 bits.

RMS

acronym for Root Mean Squared

Roll

In navigation roll is what occurs when a horizontal force is applied at a distance right or left from the center of gravity of the platform, causing it to move side to side with respect to the sensor or platform frame origin.

RPY

acronym for Roll, Pitch, Yaw

RS232

a serial data communications protocol

RS422

a serial data communications protocol

S

Sampling

the process of taking measurements from a sensor or device

Sampling rate

rate at which the sensors are sampled

Sampling Rate

the frequency of sampling

Sensor

a device that physically or chemically reacts to environmental forces and conditions and produces a predictable electrical signal as a result

Sigma

In statistics, sigma is the standard deviation from the mean of a data set.

Space Vehicle Information

refers to GPS satellites

Streaming

typically when a device is sending data at a specified data rate continuously without requiring a prompt from the host

U

USB (Universal Serial Bus)

A serial data communications protocol

UTC (Coordinated Universal Time)

The primary time standard for world clocks and time. It is similar to Greenwich Mean Time (GMT).

V

Vector

a measurement with direction and magnitude with reference from one point in space to another

Velocity

The rate of change of position with respect to time. Also called speed.

W

WAAS (Wide Area Augmentation System)

An air navigation aid developed to allow aircraft to rely on GPS for all phases of flight, including precision approaches to any airport.

WGS (World Geodetic System)

a protocol for geo-referencing such as WGS-84

Y

Yaw

In navigation yaw is what occurs when rotational force is applied at a distance forward or aft from the center of gravity of the platform, causing it to move around the center axis of a sensor or platform frame origin.