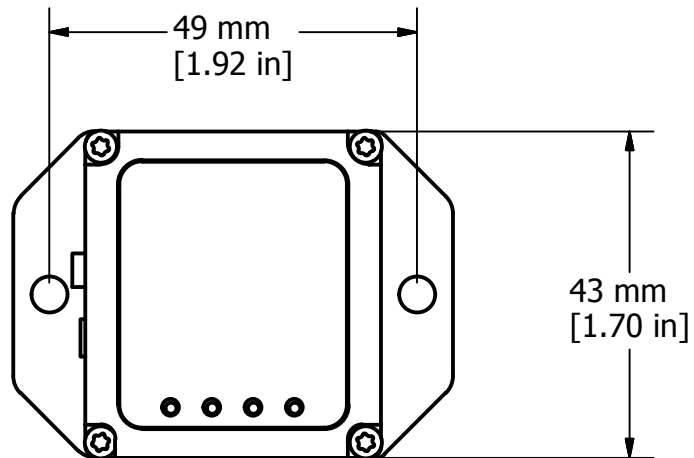


2



1

REV	DESCRIPTION	DATE	APPROVED

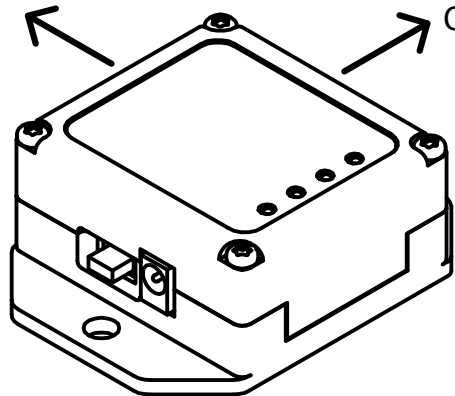


B

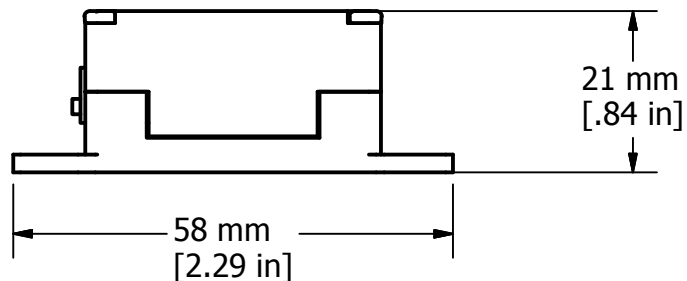
B

Ch. 1 (X)

Ch. 2 (Y)



Ch. 3 (Z)



A

A

UNLESS OTHERWISE SPECIFIED ALL DIMENSIONS ARE IN INCHES.
 TOLERANCES:(UOS):
 .X = ± .02; .XX = ± .01; .XXX = ± .005
 HOLE DIAMETERS: ± .002; ANGLES: ± 0.5°
 SURFACE FINISH: 63 MICROINCHES
 MATERIAL:
 -



459 Hurricane Lane, Suite 102
 Williston, VT 05495
 802-862-6629

TITLE

G-Link-2G -LXRS

SIZE A	CAGE CODE OXYZ9	DWG NO: 6305-2000	REV -
-----------	--------------------	----------------------	----------

THIS DRAWING AND SPECIFICATIONS ARE THE PROPERTY OF MICROSTRAIN INC. AND SHALL NOT BE PRODUCED WITHOUT PERMISSION FROM MICROSTRAIN INC.

DESIGNED BY:

DRAWN BY:
TDA

CHECKED BY:

APPROVED BY:

SCALE 1:1

DATE: 1/24/2013

SHEET 1 OF 1

2



1