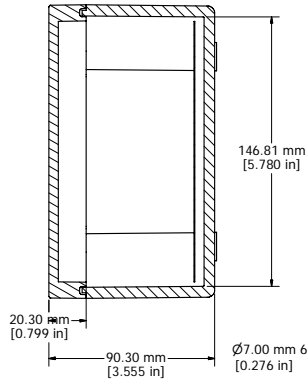
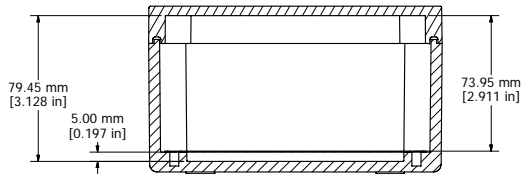


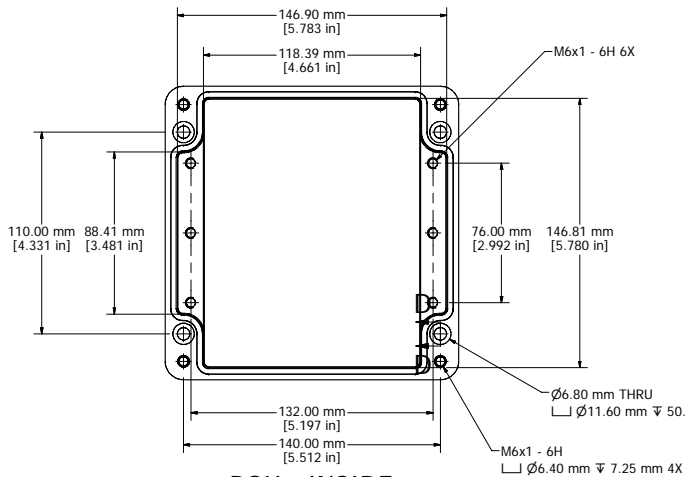
ASSEMBLY



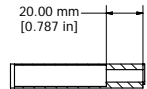
SECTION A-A



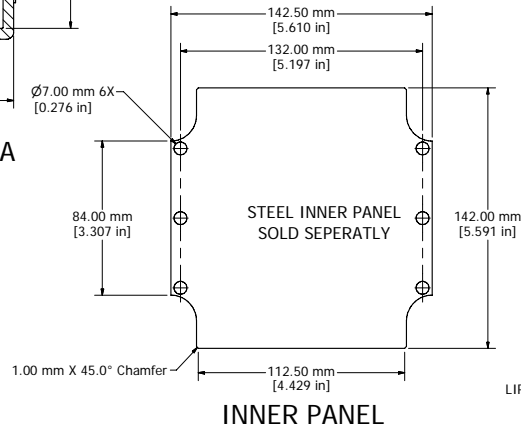
SECTION B-B



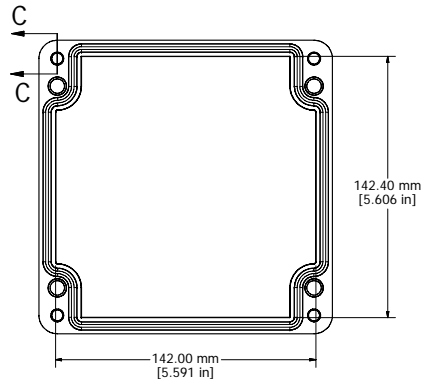
BOX - INSIDE



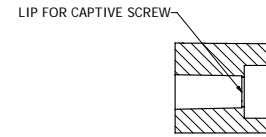
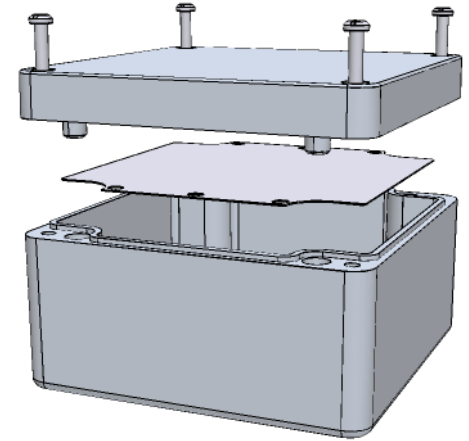
SECTION D-D



INNER PANEL



LID - INSIDE



SECTION C-C

**UL** US LISTED  
File #E65324  
NEMA 4, 4X

FIBERGLASS ENCLOSURE	
INCLUDES	
1	ENCLOSURE
4	M6 x 28mm PAN HEAD SCREWS
ACCESSORIES	
STEEL INNER PANEL	1590ZGRP161PL

**HAMMOND MANUFACTURING™**  
1590ZGRP161  
www.hammondmfg.com