



Pulsed Modulated Oscillator

MLO-1000-XX.XX (1-18 GHz)

MLO-1070-XX.XX (18-45 GHz)

Features

- High power output 1 watt. - High efficiency - Excellent rise and fall time

Application

Radars

Description

The pulsed modulated oscillator consists of free-running DRO, pulse modulator and output amplifier, MLO features total control of power consumption with enable control and duty cycle through a DB-9 connector.

Specifications

Fixed Frequency range: 1-45 GHz

Power Output: +13 to +30dBm (optional)

Pulse Rise Time: 35 nsec

Pulse Fall Time: 25 nsec

Pulse Width: 0.2 µsec

Pulse Repetition Rate: 100 kHz max

Duty Cycle: Up to 1 %

Modulating Pulse: TTL compatible

RF ON/OFF ratio: 40 dB

Enable control: TTL

Harmonic Outputs: -25dBc

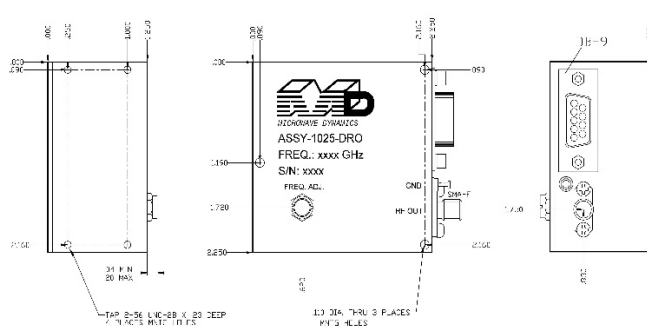
Frequency Stability: 3 ppm/C

Frequency Pulling: +/-90 ppm max

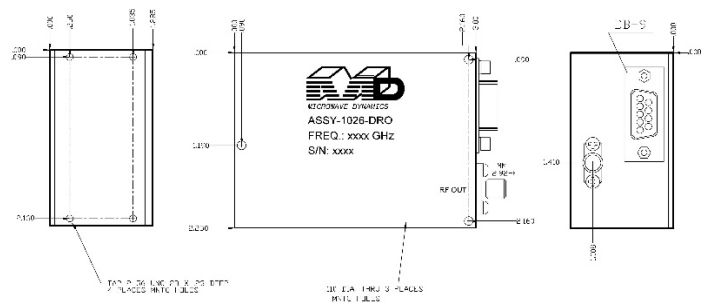
Supply Voltage: +8 to +12VDC, the average current as low as 15mA with 1% duty cycle

Outline Drawings

MLO-1000 (1-18 GHz)



MLO-1070 (18-45 GHz)



MICROWAVE DYNAMICS, 16541 Scientific Way, Irvine, CA, 92618 Phone: 949-679-7788 Fax: 949-679-7748

Web Page: <http://www.microwave-dynamics.com> . Email: info@microwave-dynamics.com