



MICROWAVE DYNAMICS

THE LO-MIX SERIES

A COMPACT LO, MIXER AND AMPLIFIER,
2-45 GHz ALL IN ONE PACKAGE



LO-MIX100

Free Running LO, Mixer and Amplifier

FEATURES

- * LOW COST
- * ONE SUPER COMPACT PACKAGE
- * WIDE BANDWIDTH 2-45 GHz
- * UP TO + 25 dBm OUTPUT POWER
- * LOW VSWR 2.5:1 MAX
- * LOW POWER CONSUMPTION
- * LOW PHASE NOISE
- * INTERNAL VOLTAGE REGULATOR

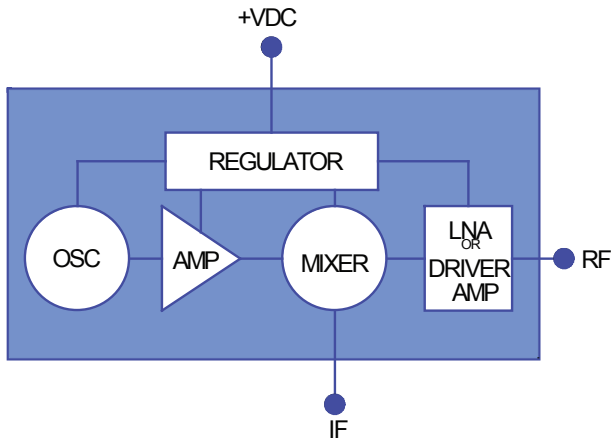
DESCRIPTION

LO-MIX Series utilizes latest MMIC technology to provide a highly stable, low noise signal source (DRO), a mixer and a power amplifier or LNA in one small compact package.

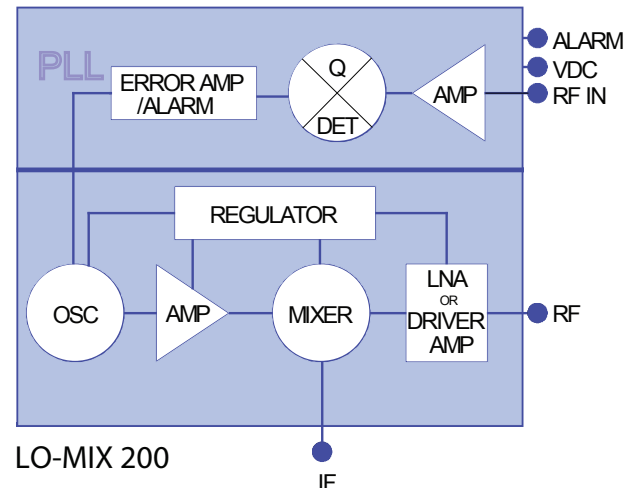
LO-MIX is designed to solve the matching issues of LO, MIXER and AMPLIFIER together. All these components are internally matched to save time, space and cost for end-users. LO frequency up to 20 GHz (fundamental), and harmonically balanced mixers used for higher frequencies.

- LO-MIX** is available with different models:
- Free Running LO (LO-MIX100 Series)
 - External Reference PLO (LO-MIX200 Series)
 - Internal Reference PLO (LO-MIX300 Series)
 - External 10MHz Reference PLO (LO-MIX400 Series)

LO-MIX models are available with driver amplifier (Up-Converter) or LNA (Down Converter). LO-MIX with driver amplifier up to +25 dBm (optional) is available.



LO-MIX 100



LO-MIX 200

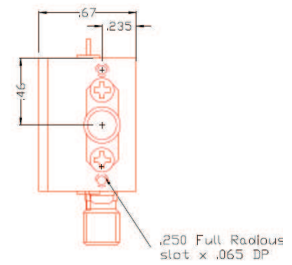
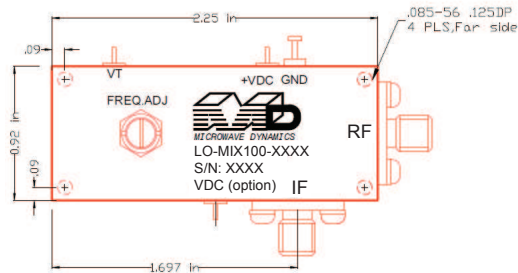
MICROWAVE DYNAMICS, 16541 Scientific Way, Irvine, CA 92618

PHONE: 949-679-7788, FAX: 949-679-7748

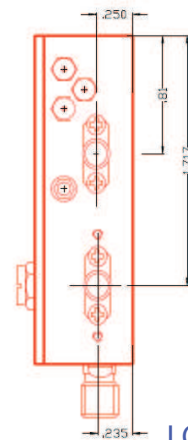
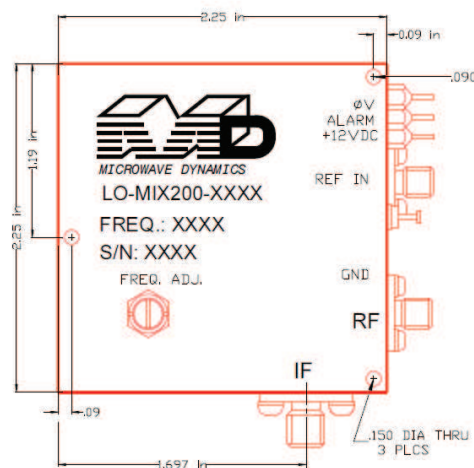
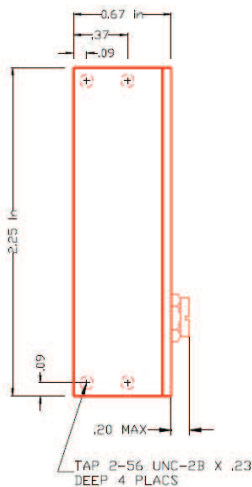
Web Page: <http://www.microwave-dynamics.com> Email: info@microwave-dynamics.com

COPYRIGHT ©2012 MICROWAVE DYNAMICS, IRVINE, CA

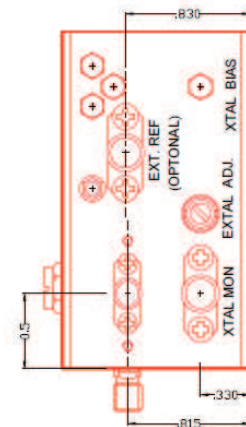
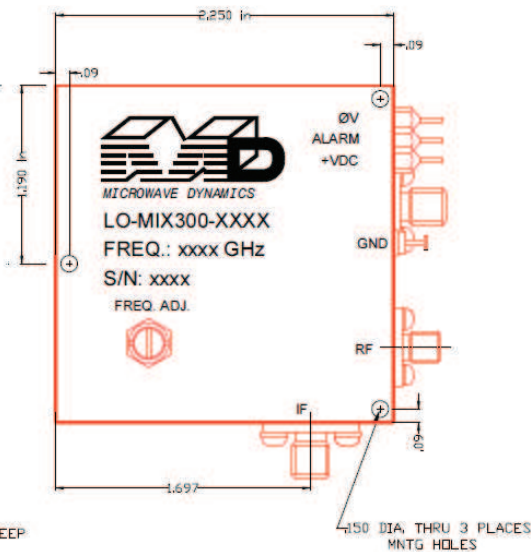
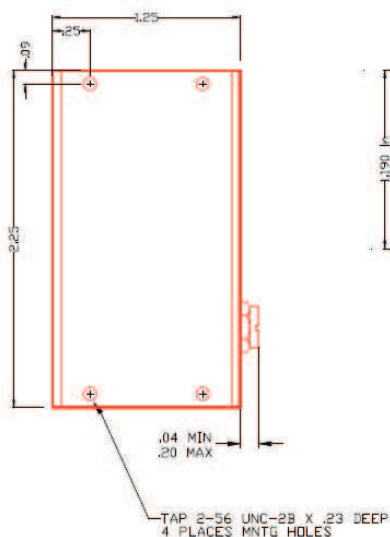
MD Model Number	Model Description	Frequency Range	IF (GHz)	Conversion Gain (TYP)	Output Power (TYP)	Supply Requirements (VDC @ I TYP)
LO-MIX100-XXXX	Free Running LO & Downconverter	2-45 GHz	DC-8.0	5 dB min	+ 0 dBm	8 V @ 150 mA
LO-MIX101-XXXX	Free Running LO & Upconverter	2-45 GHz	DC-8.0	5 dB min	+ 7 dBm	8 V @ 150 mA
LO-MIX200-XXXX	Ext Ref PLO & Downconverter	2-45 GHz	DC-8.0	5 dB min	+ 0 dBm	8 V @ 300 mA
LO-MIX201-XXXX	Ext Ref PLO & Upconverter	2-45 GHz	DC-8.0	5 dB min	+ 7 dBm	12 V @ 300 mA
LO-MIX300-XXXX	Int Ref PLO & Downconverter	2-45 GHz	DC-8.0	5 dB min	+ 0 dBm	12 V @ 400 mA
LO-MIX301-XXXX	Int Ref PLO & Upconverter	2-45 GHz	DC-8.0	5 dB min	+ 7 dBm	12 V @ 400 mA
LO-MIX400-XXXX	Ext 10 MHz Ref PLO & Downconverter	2-45 GHz	DC-8.0	5 dB min	+ 0 dBm	12 V @ 400 mA
LO-MIX401-XXXX	Ext 10 MHz Ref PLO & Upconverter	2-45 GHz	DC-8.0	5 dB min	+ 7 dBm	12 V @ 400 mA



LO-MIX 100 Series



LO-MIX 200 Series



LO-MIX 300/400 Series

MICROWAVE DYNAMICS, 16541 Scientific Way, Irvine, CA 92618

PHONE: 949-679-7788, FAX: 949-679-7748

Web Page: <http://www.microwave-dynamics.com> Email: info@microwave-dynamics.com

COPYRIGHT ©2012 MICROWAVE DYNAMICS, IRVINE, CA

