

# Bench Center

## SERIES 967

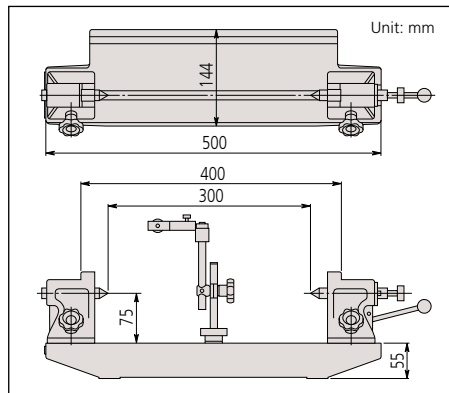
### FEATURES

- Used with a dial test indicator (optional), the bench center provides precision measurement of concentricity verification on cylindrical workpieces.
- With an indicator clamp. (Holding stem diameter: 9.53mm / .375")

967-201-10



### DIMENSIONS



Order No.	A	B	C	D	E	F	G	H
967-203-10	310	40	50	70	178	41	60	134.5
967-201-10	500	45	75	80	370	36	60	194.5
967-204-10	700	80	100	140	500	65	110	194.5
967-202-10	900	100	125	160	600	50	104	230

### SPECIFICATIONS

Order No.	Center-to-Center	Workpiece Capacity Diameter	Max. Weight Hold	Parallelism of Centers	Flatness of Surface	Attachment Diameter	Mass (kg)
967-203-10	5.9" / 150mm	3.8"	17.5 lbs. (8kg)	.0002"	.0004"	Ø3/8"	7
967-201-10	11.8" / 300mm	5.8"	35 lbs. (16kg)	.0002"	.0006"	Ø3/8"	13
967-204-10	17.7" / 450mm	7.8"	44 lbs. (20kg)	.0002"	.0007"	Ø3/8"	60
967-202-10	23.6" / 600mm	9.8"	66 lbs. (30kg)	.00024"	.0008"	Ø3/8"	70

# Granite Surface Plate Accessories

## SERIES 517

These accessories are made from the same high-quality black granite as Mitutoyo surface plates, allowing flexibility in work holding and positioning.

### SPECIFICATIONS

**Angle Blocks** with or without inserts

Grade	Laboratory*			Master**		
	Size	4 Face		2 Face	4 Face	
2 Face		no inserts	w/ inserts		no inserts	w/ inserts
4 x 4 x 4"	517-767	517-761	517-773	517-867	517-861	517-873
6 x 6 x 6"	517-768	517-762	517-774	517-868	517-862	517-874

\*Laboratory overall accuracy: .000025" per 6".

\*\*Master overall accuracy: .000050" per 6".

### Parallels

Grade	Pair Accuracy	Laboratory		Master		
		2 Face	4 Face	Accuracy	2 Face	4 Face
.75 x 1 x 6"	.00003"	517-755	517-750	.00006"	517-855	517-850
.75 x 1.5 x 9"	.00004"	517-756	517-751	.00008"	517-856	517-851
1 x 2 x 12"	.00006"	517-757	517-752	.0001"	517-857	517-852

### V-Blocks

V-1 type have matching accuracy on "V" from the bottom face only. V-5 type have four face matching accuracy plus "V".

Grade	Laboratory*		Master**	
	V-1	V-5	V-1	V-5
2 x 2 x 2.5"	517-787	517-783	517-887	517-883
3 x 3 x 3"	517-788	517-784	517-888	517-884
6 x 6 x 6"	517-789	517-785	517-889	517-885

\*Laboratory overall accuracy: .00005" per 6".

\*\*Master overall accuracy: .0001" per 6"

Angle Blocks



517-862  
(without inserts)

517-884 V-Blocks (matching pair)



517-852  
Parallels  
(in pairs)

### Technical Data

Maximum workpiece dia.: 300mm  
Maximum workpiece height: 150mm  
Mass: 13kg  
Spindle Tip Material: Hardened Steel

### Standard Accessories:

56AAK066 Indicator rod assembly  
967-201-10  
967-203-10

56AAK961R Indicator rod assembly  
967-202-10  
967-204-10

### Optional Accessories:

56AAJ988 Special attachment for mounting 967-201-10 in vertical position.

56AAJ987 Special attachment for mounting 967-203-10 in vertical position.

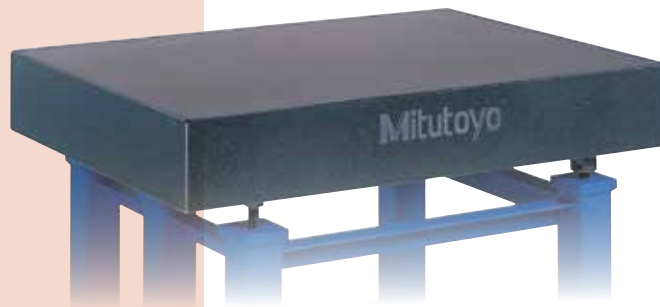
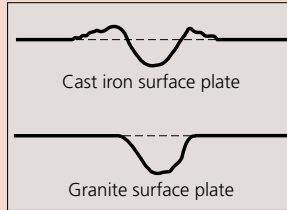
# Black Granite Surface Plate

## SERIES 517

### FEATURES

- Natural granite seasoned for thousands of years is free from deterioration or dimensional change over time.
- Granite surface plate has many advantages over cast iron surface plates:  
Twice as hard as cast iron.  
Minimal changes in dimension due to temperature changes.  
Free from wringing, so there is no interruption of work.  
Free from burrs or protrusions because of the fine grain structure and insignificant

- stickiness; this ensures a high degree of flatness over a long service life and causes no damage to other parts or instruments.
- Trouble-free operation for use with magnetic materials.
- Long life and rust-free, resulting in low maintenance costs.
- Mitutoyo granite surface plates meet or exceed federal specification GGG-P-463c. Each surface plate is shipped with a Certificate of Accuracy which guarantees its accuracy and verifies its traceability to NIST.
- All plates from 48" x 108" and larger are machine base gray granite. Smaller plates are black granite.
- Surface plates, to size of specifications other than standard, available by special order.
- Surface plates, with the bolt screws, available by special order.
- All Mitutoyo surface plates shipped F.O.B. Escondido, CA.



### SPECIFICATIONS

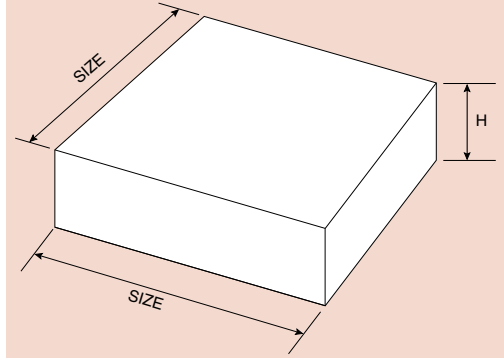
**Inch** 100 lbs.-Load / sq. ft. no ledge

Size	AA Laboratory Grade				A Inspection Grade				B Shop Grade			
	H	Acc.*	Order No.	Wt. (lbs)	H	Acc.*	Order No.	Wt. (lbs)	H	Acc.*	Order No.	Wt. (lbs)
8 x 12"	3"	50	517-700	30	2"	100	517-800	25	2"	200	517-900	25
9 x 12"	3"	50	517-701	40	3"	100	517-801	40	2"	200	517-901	30
12 x 12"	3"	50	517-702	50	3"	100	517-802	50	3"	200	517-902	50
12 x 18"	4"	50	517-703	100	4"	100	517-803	100	4"	200	517-903	100
18 x 18"	4"	50	517-704	150	4"	100	517-804	150	3"	200	517-904	100
18 x 24"	4"	65	517-705	200	4"	130	517-805	200	4"	260	517-905	200
24 x 24"	5"	70	517-706	310	4"	140	517-806	259	3"	280	517-906	200
24 x 30"	5"	75	517-707	400	5"	150	517-807	400	4"	300	517-907	300
24 x 36"	6"	85	517-708	600	5"	170	517-808	500	4"	340	517-908	400
24 x 48"	8"	150	517-709	1000	6"	300	517-809	800	5"	600	517-909	650
30 x 36"	6"	100	517-710	800	5"	200	517-810	600	5"	400	517-910	600
30 x 48"	8"	150	517-711	1300	6"	300	517-811	1000	6"	600	517-911	1000
30 x 60"	12"	200	517-712	1900	10"	500	517-812	1535	8"	1000	517-912	1150
36 x 36"	6"	100	517-713	900	5"	200	517-813	780	5"	400	517-913	700
36 x 48"	8"	150	517-714	1500	6"	300	517-814	1200	6"	600	517-914	1200
36 x 60"	12"	200	517-715	2850	10"	400	517-815	2350	8"	800	517-915	1900
36 x 72"	12"	250	517-716	3400	10"	500	517-816	2850	8"	1000	517-916	2300
48 x 48"	8"	200	517-717	2025	6"	400	517-817	1525	6"	800	517-917	1500
48 x 60"	12"	250	517-718	3800	10"	500	517-818	3150	8"	1000	517-918	2525
48 x 72"	12"	300	517-719	4500	10"	600	517-819	3800	8"	1200	517-919	3050
48 x 84"	14"	350	517-720	6150	12"	700	517-820	5325	10"	1400	517-920	4450
48 x 96"	14"	400	517-721	7000	12"	800	517-821	6050	10"	1600	517-921	5150
48 x 108"	14"	500	517-722	7900	12"	1000	517-822	6830	10"	2000	517-922	5700
48 x 120"	18"	700	517-723	11300	16"	1400	517-823	10160	14"	2800	517-923	8800
48 x 144"	18"	800	517-724	13500	16"	1600	517-824	12200	14"	3200	517-924	10500
60 x 60"	14"	250	517-725	5500	12"	500	517-825	4800	10"	1000	517-925	4000
60 x 72"	14"	350	517-726	6600	12"	700	517-826	5750	10"	1400	517-926	4900
60 x 96"	14"	500	517-727	8800	12"	1000	517-827	7600	10"	2000	517-927	6500
60 x 120"	16"	700	517-728	11050	14"	1400	517-828	11100	12"	2800	517-928	9800
60 x 144"	18"	900	517-729	16950	16"	1800	517-829	15100	14"	3600	517-929	14200
72 x 72"	14"	400	517-730	8000	12"	800	517-830	7000	10"	1600	517-930	5700
72 x 96"	16"	500	517-731	12025	14"	1000	517-831	10800	12"	2000	517-931	9200
72 x 120"	16"	700	517-732	15070	14"	1400	517-832	13400	12"	2800	517-932	11400
72 x 144"	18"	1000	517-733	20300	16"	2000	517-833	18100	14"	4000	517-933	15900

\* Accuracies shown in microinches (µin)

**Inch** 50 lbs.-Load / sq. ft. no ledge

Size	AA Laboratory Grade				A Inspection Grade				B Shop Grade			
	H	Acc.	Order No.	Wt.	H	Acc.	Order No.	Wt.	H	Acc.	Order No.	Wt.
8 x 12"	2"	50	<b>517-740</b>	25	2"	100	<b>517-840</b>	25	2"	200	<b>517-940</b>	25
12 x 18"	3"	50	<b>517-741</b>	80	3"	100	<b>517-841</b>	80	2"	200	<b>517-941</b>	60
18 x 24"	4"	65	<b>517-742</b>	200	3"	130	<b>517-842</b>	165	2"	260	<b>517-942</b>	100
24 x 36"	5"	85	<b>517-743</b>	500	4"	170	<b>517-843</b>	400	3"	340	<b>517-943</b>	300
36 x 48"	6"	150	<b>517-746</b>	1200	5"	300	<b>517-846</b>	1000	4"	600	<b>517-946</b>	800



## Steel Stands

Steel stands for supporting black granite surface plates, at working levels, are available either stationary or with casters. Sizes and weights are given below.



### SPECIFICATIONS

Size	Stationary		With Casters	
	Order No.	Wt.	Order No.	Wt.
12 x 18"	<b>517-950</b>	42lbs	<b>517-950-1</b>	46lbs
18 x 18"	<b>517-951</b>	46lbs	<b>517-951-1</b>	50lbs
18 x 24"	<b>517-952</b>	50lbs	<b>517-952-1</b>	56lbs
24 x 24"	<b>517-954</b>	65lbs	<b>517-954-1</b>	69lbs
24 x 30"	<b>517-955</b>	70lbs	<b>517-955-1</b>	74lbs
24 x 36"	<b>517-956</b>	73lbs	<b>517-956-1</b>	77lbs
24 x 48"	<b>517-957</b>	90lbs	<b>517-957-1</b>	94lbs
30 x 36"	<b>517-960</b>	85lbs	<b>517-960-1</b>	89lbs
30 x 48"	<b>517-961</b>	95lbs	<b>517-961-1</b>	99lbs
30 x 60"	<b>517-962</b>	105lbs	<b>517-962-1</b>	109lbs
36 x 36"	<b>517-963</b>	95lbs	<b>517-963-1</b>	99lbs
36 x 48"	<b>517-964</b>	105lbs	<b>517-964-1</b>	109lbs
36 x 60"	<b>517-965</b>	160lbs	<b>517-965-1</b>	164lbs
36 x 72"	<b>517-966</b>	180lbs	<b>517-966-1</b>	184lbs
48 x 48"	<b>517-967</b>	190lbs	<b>517-967-1</b>	194lbs
48 x 60"	<b>517-968</b>	200lbs	<b>517-968-1</b>	204lbs
48 x 72"	<b>517-969</b>	205lbs	<b>517-969-1</b>	209lbs
48 x 84"	<b>517-970</b>	320lbs	<b>517-970-1</b>	324lbs
48 x 96"	<b>517-971</b>	335lbs	<b>517-971-1</b>	339lbs
48 x 108"	<b>517-972</b>	350lbs	<b>517-972-1</b>	354lbs
48 x 120"	<b>517-973</b>	365lbs	<b>517-973-1</b>	369lbs
48 x 144"	<b>517-974</b>	430lbs	<b>517-974-1</b>	434lbs
60 x 60"	<b>517-975</b>	245lbs		
60 x 72"	<b>517-976</b>	340lbs		
60 x 96"	<b>517-977</b>	375lbs		
60 x 120"	<b>517-978</b>	455lbs		
60 x 144"	<b>517-979</b>	480lbs		
72 x 72"	<b>517-980</b>	380lbs		
72 x 96"	<b>517-981</b>	465lbs		
72 x 120"	<b>517-982</b>	510lbs		
72 x 144"	<b>517-983</b>	530lbs		

48x72 and smaller include keepers to prevent the surface plate from being pushed off the stand.

Note: The total height of stand and granite plate is 36". If ordering only stand, stand height will be made according to a Grade A granite plate thickness.