



**CDCG-0040**

**6U CompactPCI  
Card Cage**

**User Manual**

<p>13 Altalef St. Yehud, Israel 56216 Tel: 972 (3) 632-0533 Fax: 972 (3) 632-0458</p>	<p><a href="http://www.tenta.com">www.tenta.com</a></p>	<p>919 Kifer Road Sunnyvale, CA 94086 USA Tel: (408) 328-1370 Fax: (408) 328-1371</p>
---	---	---

## Document Revisions

---

Rev	Comment	BY	Date
E0	Initial	DG	11/25/00
E0.1	Part number additions	DG	12/07/00
E1.0	ReleaseOptions, clarification	DG	01/26/00
E2.0	Update document format	TJ	01/15/02

# Table of Contents

---

<b><i>I. Introduction .....</i></b>	<b><i>4</i></b>
<b><i>II. Ordering Information .....</i></b>	<b><i>5</i></b>
<b><i>III. Specifications .....</i></b>	<b><i>6</i></b>
<b><i>A. Physical Specifications .....</i></b>	<b><i>6</i></b>
<b><i>B. Environmental Specifications .....</i></b>	<b><i>6</i></b>
<b><i>IV. Front Layout.....</i></b>	<b><i>7</i></b>
<b><i>V. Rear Layout.....</i></b>	<b><i>8</i></b>
<b><i>VI. INTLK Board.....</i></b>	<b><i>9</i></b>
<b><i>VII. Warranty .....</i></b>	<b><i>10</i></b>

# I. Introduction

---

This document describes the specifications and functionality of Tenta's 6U CompactPCI Card Cage. This cage provides the base for fully functional 8 slot cPCI system supporting rear I/O transition cards. Tenta's PWRS-0026 power supply module is required to supply all cCPI power requirements. The card cage form factor, physical dimension and BUS interface comply with CompactPCI Specification PICMG 2.0 R2.1.

## II. Ordering Information

---

Part Number	Description
AS00040-02	Card cage, 6U with backplane, CD-ROM, ZIP, and AC interlock board
AS00040-03	Card cage, 6U with backplane, CD-RW, and AC interlock board
AS00040-04	Card cage, 6U support, with backplane and AC interlock board

### III. Specifications

---

#### A. Physical Specifications

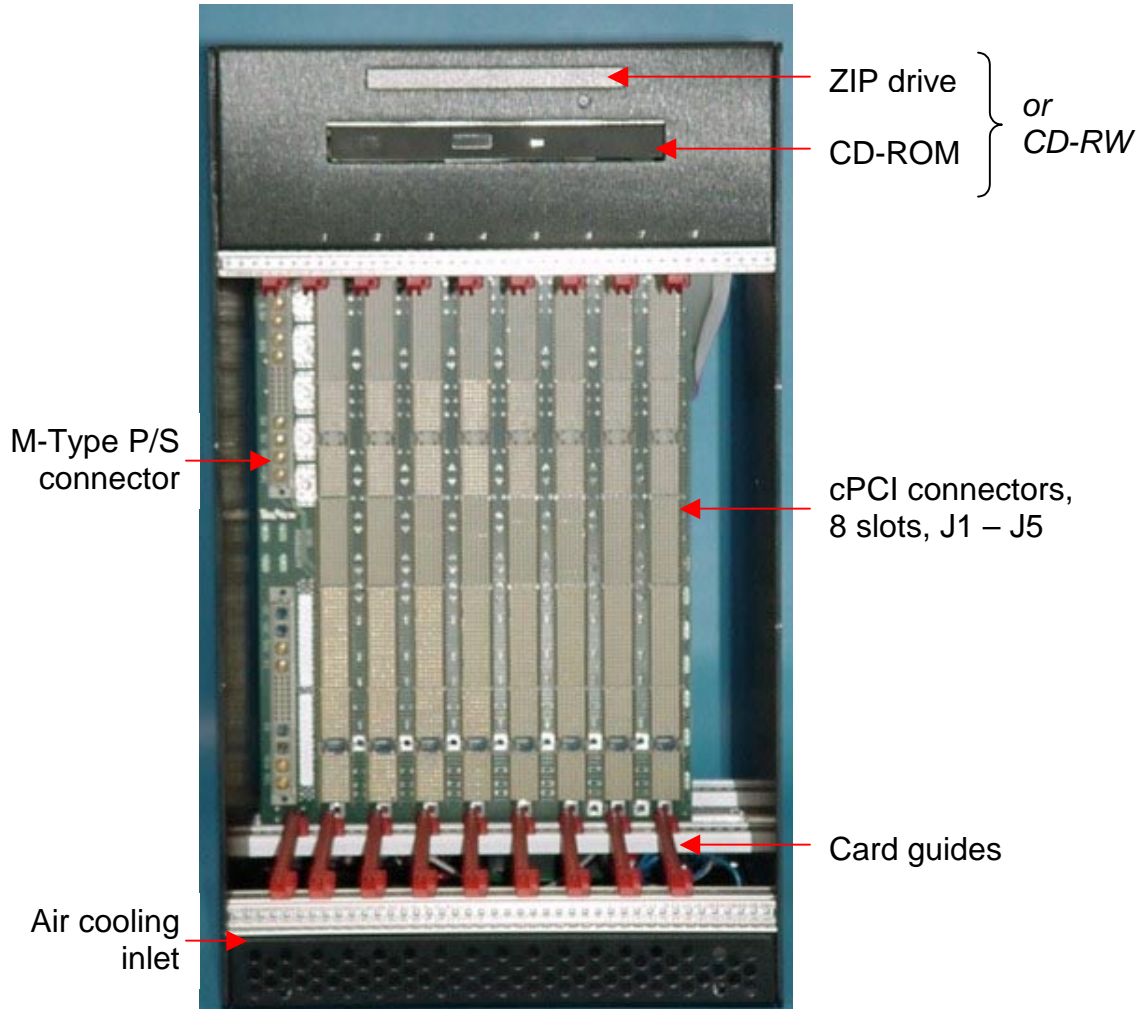
<b>Criteria</b>	<b>Specifications</b>
Core	
Enclosure Dimensions	14.75" Height X 8.5635" Width X 11.75" Depth
Card Form Factor	Plug in Euro card, 6U Height, IEEE (1101.1, 101.10 and P1101.11)
Backplane	M-Type Connector on power slot; metric 2.0mm grid female connector for cPCI 8 slots, J1 – J5.
Power Input	Standard 3 pole AC plug receptacle, fused at 2.5 amps
Cooling	Blower cooled
Material	Aluminum; black anodized (sides, base), paint (top)
Weight	5 lbs.
Options	
CD-ROM	TEAC 24x, Super-Slim, read only, ATAPI
ZIP Drive	Imomega, 100 MB capacity, ATAPI
CD-RW	TEAC 12x Write, 10x ReWrite, 32 Read, EIDE

#### B. Environmental Specifications

<b>Criteria</b>	<b>Specifications</b>
Temperature, operating	5 to 51 °C
Temperature, storage	-20 to +60 °C
Humidity, operating	8 to 80% non-condensing
Humidity, storage	5 to 90% non-condensing

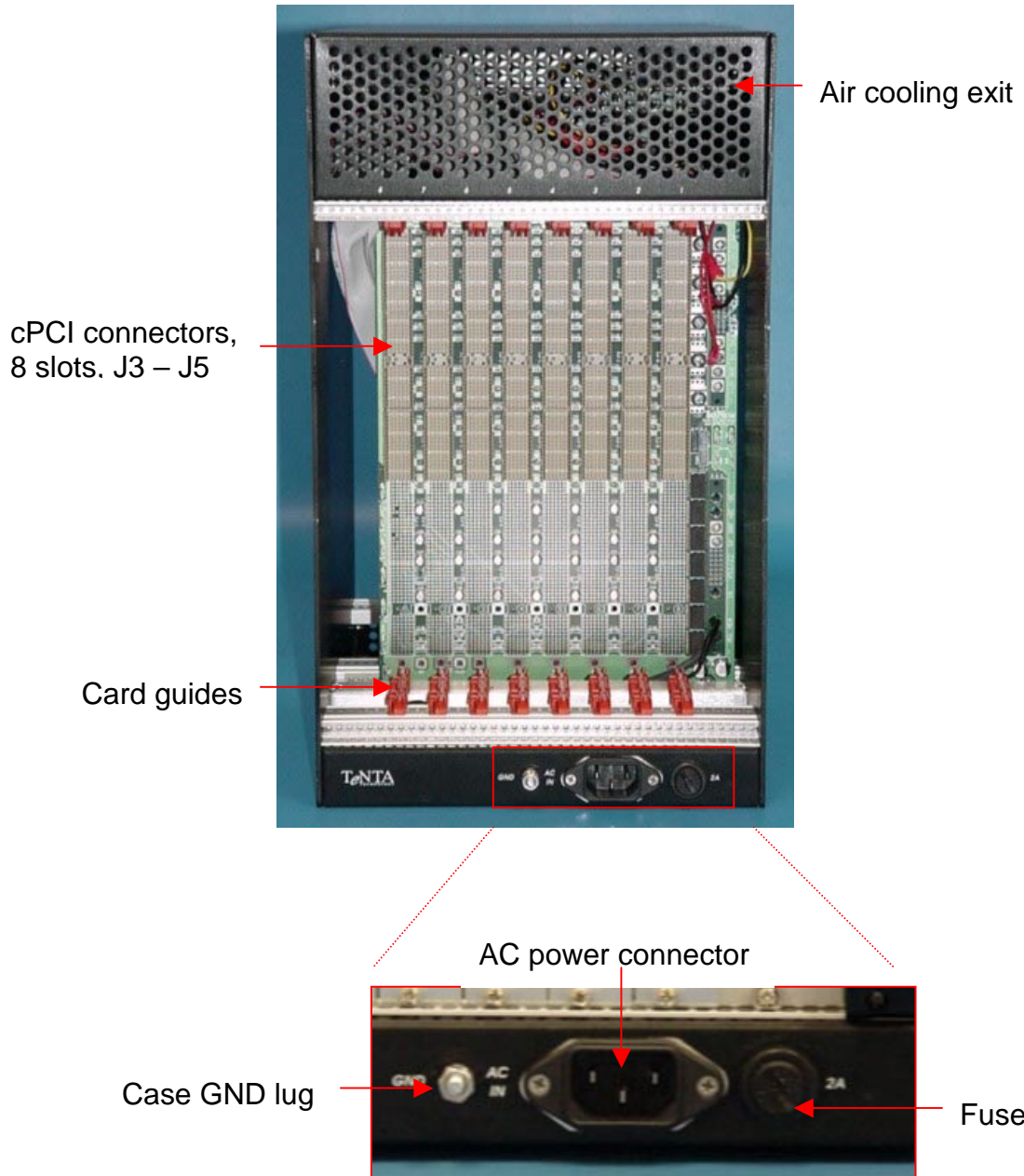
## IV. Front Layout

---



## V. Rear Layout

---

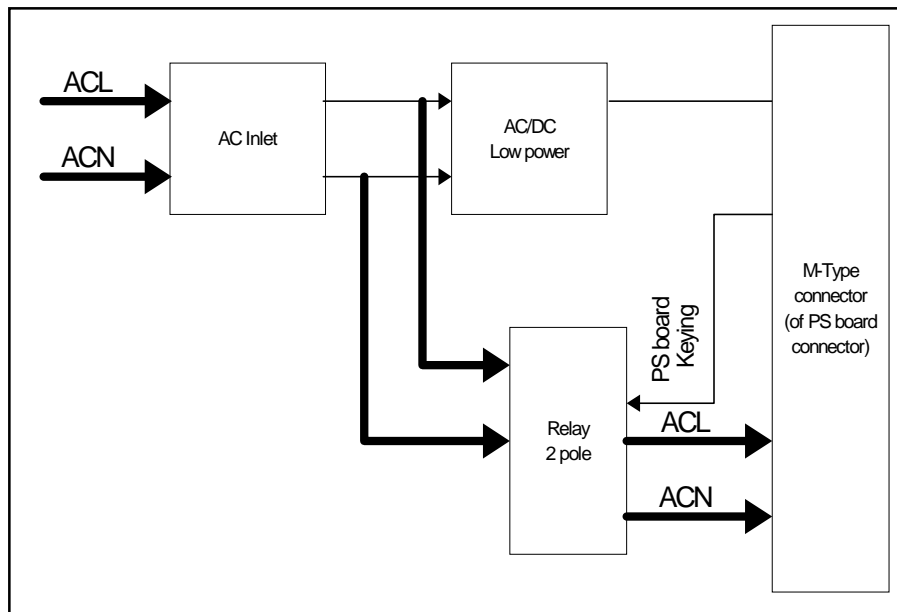




## VI. INTLK Board

---

INTLK is a small PCBA which is mounted on the internal side of the cage wall. INTLK board is responsible for disconnecting the AC line from PS connector when no PS board is attached to the cage. This is done by using a small AC/DC which acts as a control circuit keyed by PS board. When no PS board is attached to the cage, the DC control from the AC/DC is blocked the AC is not supplied to the M-Type connector.



## **VII. Warranty**

---

Tenta Technology warrants the original purchaser for two years from the date of delivery for any defect in the product, material or workmanship. Product should be used in suitable installation environment and for the purposes it was designed, any damages caused by natural disasters such as: fire, flood, wind and lightning are not covered. For more information, please contact Tenta Technology customer support (see locations on front page). Tenta Technology hardware and software are not intended for use in any manner when human life or safety is at risk and not for use in life support equipment.