

MSS Fan-Out Kits 6 & 12 Fibre

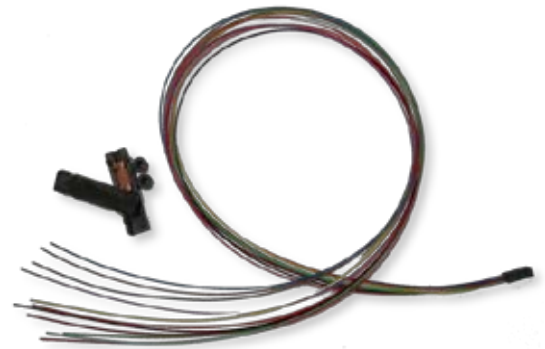
Application:

Field termination of loose tube cables to assist connectorisation.

Product Details:

Fan-Out Kits are specifically designed to sleeve the 250um loose tube fibre with 900um buffer tube. These buffer tube fan-out kits provide the ultimate solution for those users who want to field install connectors onto loose tube cable. The kits provide the most compact, easy to install fan-out solution requiring no additional hardware or space than that required for terminating tight-buffered cables.

Fan-out kits feature a 900 µm fan-out assembly that is colour coded to match the fibre colour code standard. The fan-out assembly is available in 6 or 12 fibre.



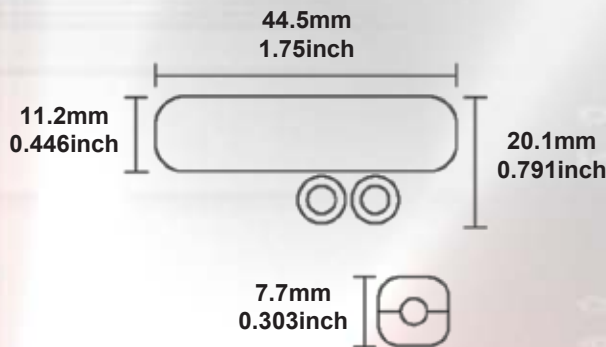
Specifications:

Product Code	Length of tubing	Fibres per Buffer Tube
MSS-FANOUT-6	25inch/610mm	6
MSS-FANOUT-12	25inch/610mm	12

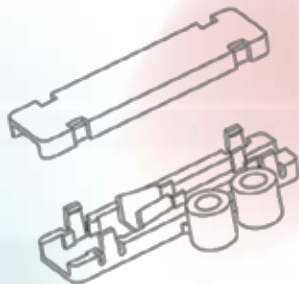
Features/Benefits:

- Eliminates strain on fibres by isolating them from tensile forces
- Colour coded fan-out tubing
- Snap-together furcation unit eliminates epoxy for indoor kits
- Compact design
- Quick and easy to install
- Optimised for field termination of cables
- Excellent fibre routing capabilities
- Bend radius protection designed into each unit

Completed Kit Dimensions:



Furcation Unit:



Fan-Out Assembly:



Ordering Information:

Product Code	Description
MSS-FANOUT-6	Corning/Siecor Fanout Kit - 6 Fibre
MSS-FANOUT-12	Corning/Siecor Fanout Kit - 12 Fibre