

Small Wall Mount Enclosures

MSS Small Wall Mount Enclosures

Product Details:

The MSS Small Wall Mount Enclosures offer the installer a compact and heavy duty solution for cable management and fibre termination. Ideal when space is limited or project does not require a complex enclosure.

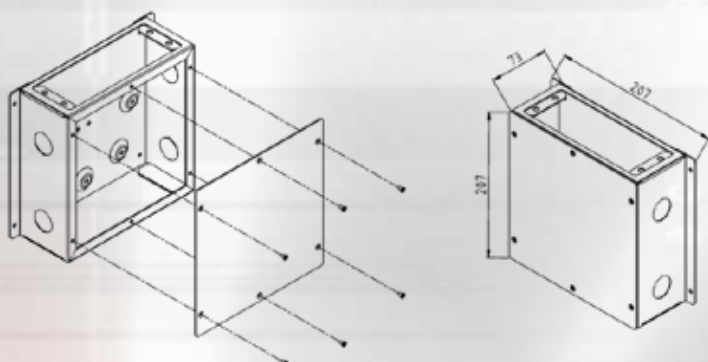
Its modular design provides the flexibility to choose from a variety of thru-adaptor types including ST, SC duplex, FC, LC and MTRJ.



MSS-WB-12/24MOD	
Size	207mmH x 207mmW x 73mmD
Coupler Panels	2
Colour	Grey
Compound	Steel
Weight	1.55 Kg

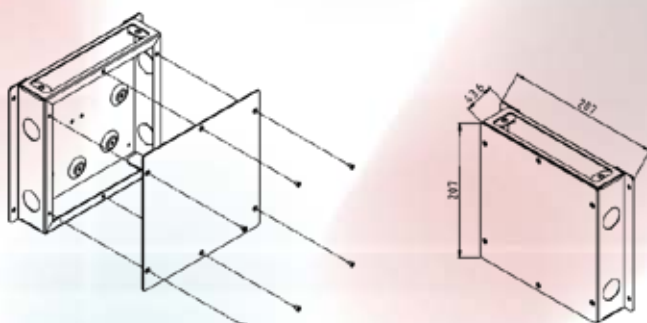
Features:

- Small compact design
- Tough and Durable
- Accommodates up to 24 fibres
- Access via screw lid
- 20mm gland holes
- Utilises modular coupler panels to suit your connector type (see coupler panels)



MSS-WB-12MOD	
Size	207mmH x 207mmW x 43.6mmD
Coupler Panels	1
Colour	Grey
Compound	Steel
Weight	1.30 Kg

MSS-WB-12-SPH	
Size	160mmH x 140mmW x 50mmD
Coupler Panels	1
Colour	Black
Compound	Metal
Weight	0.5 Kg



Ordering Information:

Product Code	Description
MSS-WB-12MOD	Wall Box - 12 Fibre Metal (1x Coupler Panel) Screw/Lid
MSS-WB-12/24MOD	Wall Box - 12/24 Fibre Metal (2x Coupler Panel) Screw/Lid
MSS-WB-12-SPH	Wall Box Corning Single Panel Housing (for 1 Panel/12 Fibre)

Optional Extras:

Product Code	Description
MSS-BAG-BITS	1x M20 Cable Gland, 4x Cable Ties, 4x Clips, 1x Clamp