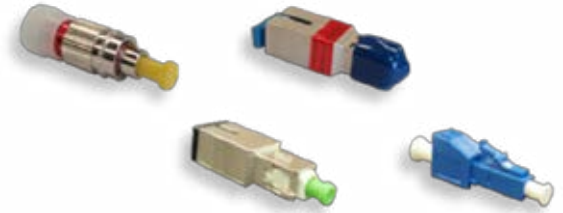


MSS Attenuators

Description:

An optical attenuator is a device used to reduce the power level of an optical signal, either in free space or in an optical fibre.

MSS stock a range of singlemode attenuators to suit most common applications. MSS attenuators are available in SC, SCA and LC in 5dB, 10dB and 15dB. Multimode attenuators are also available upon request.



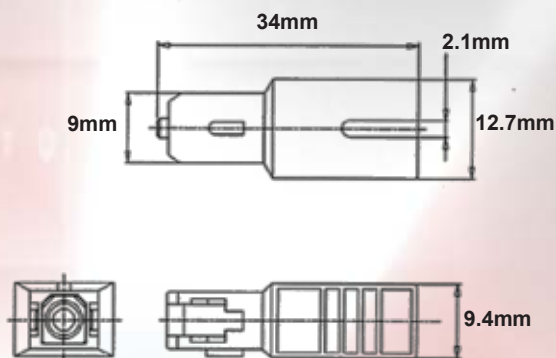
Specifications:

Attenuator Specification	
Operating Wavelength	1310/1550nm
Attenuation Levels	5, 10, 15 dB
Operating Temperature	-40 C to +85 C

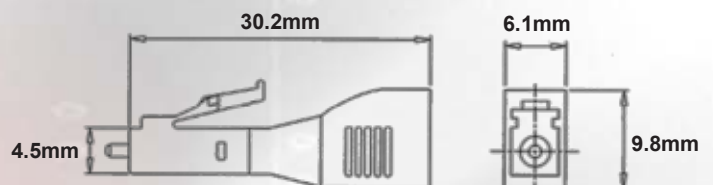
Features:

- High quality ferrules ensure reliable performance
- BI-directional use
- Environmentally stable and reliable
- Small size
- Build out style for easy use
- Available in SC, SCA and LC
- Available 5dB, 10dB and 15dB
- Other types available on request

SC/SCA Attenuator Dimensions:



LC Attenuator Dimensions:



Ordering Information:

Product Code	Description
MSS-ATT-SC-SM-5	SC Singlemode Male-Female Attenuator - 5dB
MSS-ATT-SC-SM-10	SC Singlemode Male-Female Attenuator - 10dB
MSS-ATT-SC-SM-15	SC Singlemode Male-Female Attenuator - 15dB
MSS-ATT-SCA-SM-5	SCA Singlemode Male-Female Attenuator - 5dB
MSS-ATT-SCA-SM-10	SCA Singlemode Male-Female Attenuator -10dB
MSS-ATT-SCA-SM-15	SCA Singlemode Male-Female Attenuator -15dB
MSS-ATT-LC-SM-5	LC Singlemode Male-Female Attenuator - 5dB
MSS-ATT-LC-SM-10	LC Singlemode Male-Female Attenuator - 10dB
MSS-ATT-LC-SM-15	LC Singlemode Male-Female Attenuator - 15dB