

Defence Wall Box

Description:

The MSS Defence Wall Box has a compact and heavy duty design, made from powder coated 1.6mm zinc seal® steel to withstand the toughest of environments. Utilises knock-out holes to ensure unused ports remain sealed.

Optional 3mm thick clear polycarbonate covers for visual inspection.



Specifications:

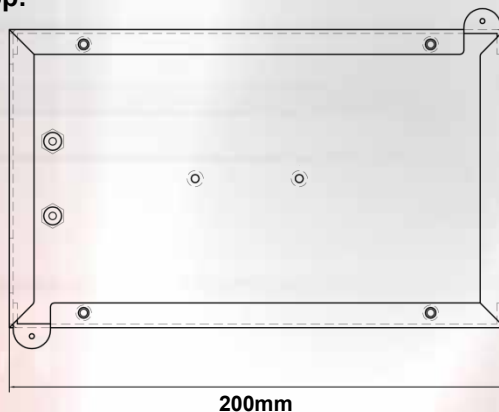
MSS-WB-FOB-ST/SC/SC-SCD	
Size	42mmH x 200mmW x 120mmD
Connector Styles	
-ST	6 x ST Ports
-SC	6 x SC Simplex Ports
-SC-SCD	1 x SC Simplex, 1 x SC Duplex Ports
Colours	Grey/Red
Compound	Steel
Weight (without lid)	610gms
Metal Lid	155gms
Plastic Lid	50gms

Features:

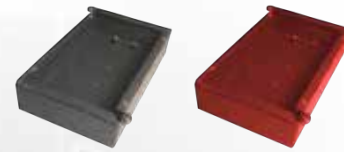
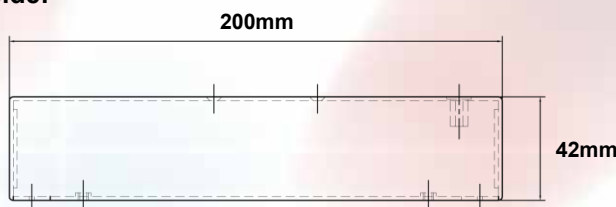
- Punch-out holes
- Small compact design
- Supports 1 splice tray
- Optional metal lid to ensure safety
- Supplied with mounting screws
- Optional transparent lids
- Provision for roto seals

Dimensions:

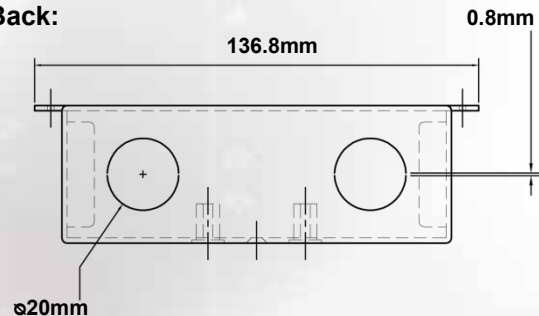
Top:



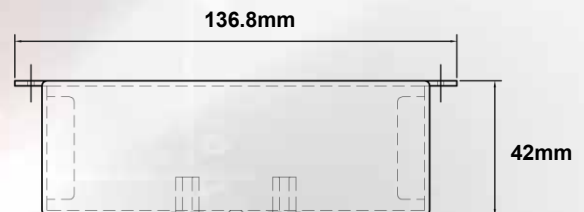
Side:



Back:



Front:



Ordering Information:

Product Code	Description
MSS-WB-FOB-SC-SCD	Defence Spec Wall Box 1 x SC Simplex 1 x SC Duplex
MSS-WB-FOB-ST	Defence Spec Wall Box 6 x ST
MSS-WB-FOB-SC	Defence Spec Wall Box 6 x SC Simplex

Accessories:

Product Code	Description
MSS-BAG-BITS	1x M20 Cable Gland, 4x Cable Ties, 4x Clips, 1x Clamp