

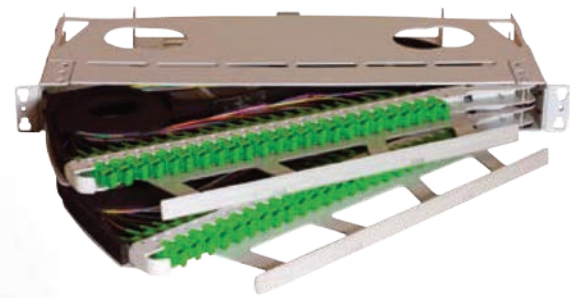
1RU High Density Pivot Panel

1RU High Density Pivot Panel with maximum “Cooling Airflow” capability

Product Details:

Innovative, the 1RU High Density Pivot Panel is designed to accept 24 SC simplex footprint adaptors within each of two ½U trays. Each tray fully manages the incoming fibres, pigtails and splices. The panel can pivot by up to 116° to allow easy access during installation or rework with no disturbance of the existing cable or fibres. Angled adaptors route exiting patch cords directly into the cabinet side management.

An optional bracket maintains the minimum bend radius in any direction. The panel can be assembled to pivot in either direction, facilitating cable entry from either side. Ventilation tracts allow free flow of air through the panel, providing highly efficient cooling for active equipment.



Features and Benefits:

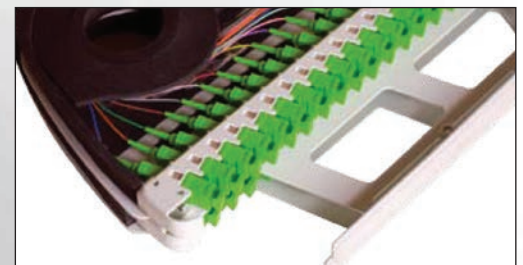
- 48 SC Simplex or LC Duplex connections
- Angled adaptors for reduced bend losses
- Fully integrated fibre management
- 1RU overall with ½U individual trays
- High flow ventilation
- Side cable entry
- 30mm bend radius maintained throughout
- Single layer interleaved splicing area
- Individually labelled ports
- Accepts both loose tube and distribution cable
- RoHS, REACH and SvHC
- Available in standard colours and standard packaging
- Fits standard 19” or ETSI rack with adjustable positioning
- Adjustable position with respect to frame
- Individual cable tie and strength member tie points in each tray
- Individual PG13.5 gland entry point for each tray
- Cable entry from both sides dependant upon direction of pivot

Applications:

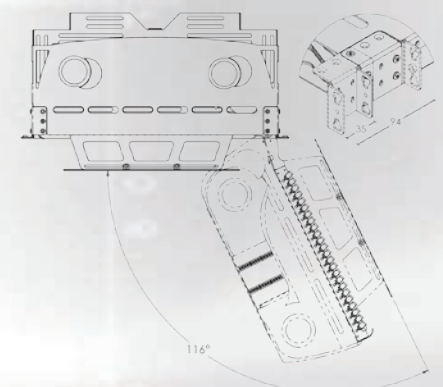
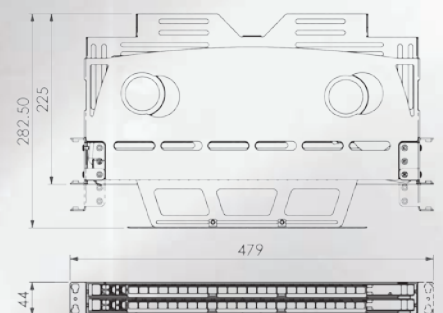
- Telecom outside plant and ODF
- Telecom CPE
- Ethernet, Fibre Channel, ATM, LAN, MAN and WAN
- Data communication ODF and distribution
- Indoor and outdoor applications

Specifications:

1RU High Density Pivot Panel Specifications	
Size (HxWxD)	44Hmm x 479Wmm x 282.5Dmm
Net Weight	3.0kg
IP Rating	N/A
Suitable for Adaptor Type	SC Simplex, LC Duplex (Pre-term only)
Number of Adaptor Positions	48
Mounting Adjustment Range	64mm
Material	Cold-rolled Steel
Material Thickness	1.5mm
Material Coating	Powder Coating
Colour	Grey RAL7035
Operating Temperature	-40°C to +60°C
Compliant To	RoHS, Reach/SVHC
Designed In Accordance With	TIA/EIA 568.C, ISO/IEC 11801, EN50173, IEC60304, IEC61754, EN297-1



116° opening angle allowing complete and easy access



Ordering Information:

Product Code	Description
1RU-ODF-48SCS	1RU High Density Pivot Panel – 48 SC Simplex