

Press Fit SCR ½", 40 Amps

Features

- Improved glass passivation for high reliability
- Exceptional stability at high temperatures
- Metric thread type available
- Low thermal resistance



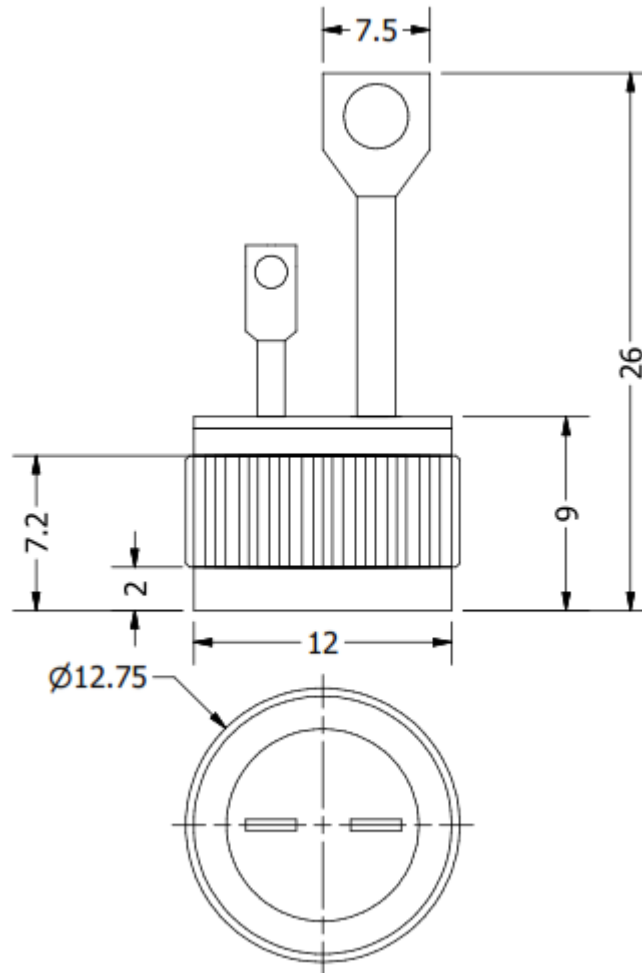
TO-203/F

Electrical Characteristics (T _A = 25°C unless otherwise specified)			
Parameter	Symbol	Part Numbers	Units
Maximum repetitive peak reverse voltage, V _{RRM}	50	NPS400	V
	100	NPS401	
	200	NPS402	
	400	NPS404	
	600	NPS406	
Maximum average forward output current	I _{T(RMS)}	40	A
Peak forward surge current, single half sine-wave	I _{TSM}	400	A
Peak gate trigger current	I _{GTM}	2	A
Peak gate power dissipation @ I _{GT} ≤ I _{GTM}	P _{GM}	20	W
Average gate power dissipation	P _{G(AV)}	0.5	W
Peak off-state current	I _{DRM} & I _{RRM}	1.0	mA
Maximum instantaneous forward voltage drop @ 100 A	V _{TM}	1.6	V
DC holding current	I _H	50	mA
Critical rate-of-rise of off-state voltage	dv/dt	200	V/μsec
Gate trigger current	I _{GT}	25	mA
Gate trigger voltage	V _{GT}	2.0	V
Turn-on time	T _{gt}	2.5	μsec

Thermal and Mechanical Specifications (T _A = 25°C, unless otherwise noted)			
Parameters	Symbol	Values	Units
Maximum operating junction temperature range	T _J	- 40 to +150	°C
Maximum storage temperature range	T _{Stg}	- 40 to +150	°C
Maximum thermal resistance, junction to case	R _{θ(j-c)}	0.9	°C/W
Approximate weight	W	15	g

Package Outline

(All dimensions in mm)



Ordering Table

NPS	40	0,1,2,4,6
1	2	3

- 1 – Press Fit SCR
- 2 – Current, $I_{F(AV)}$
- 3 – Voltage, V_{RRM} (See table)