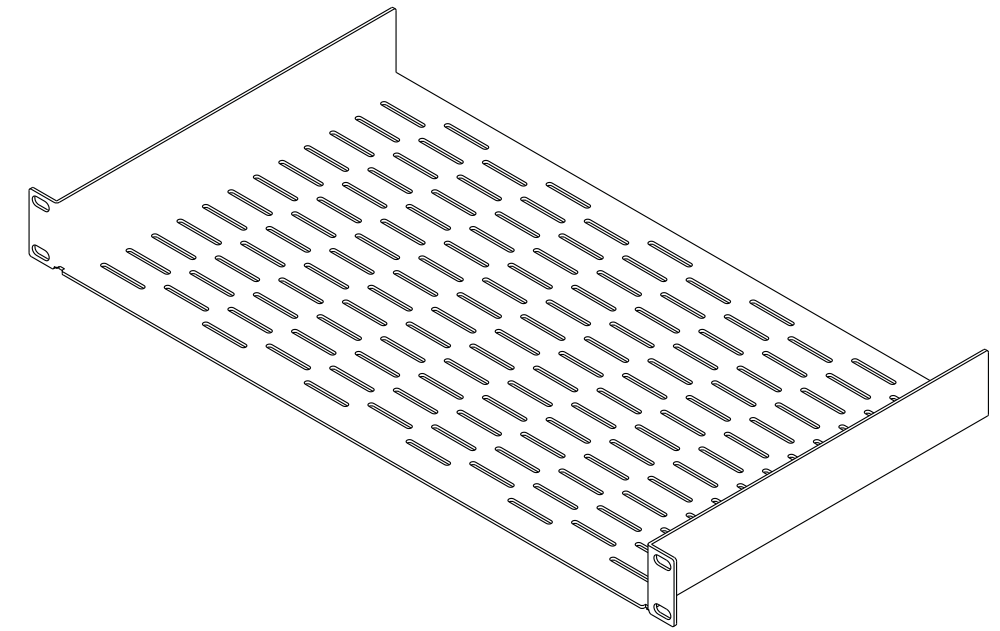
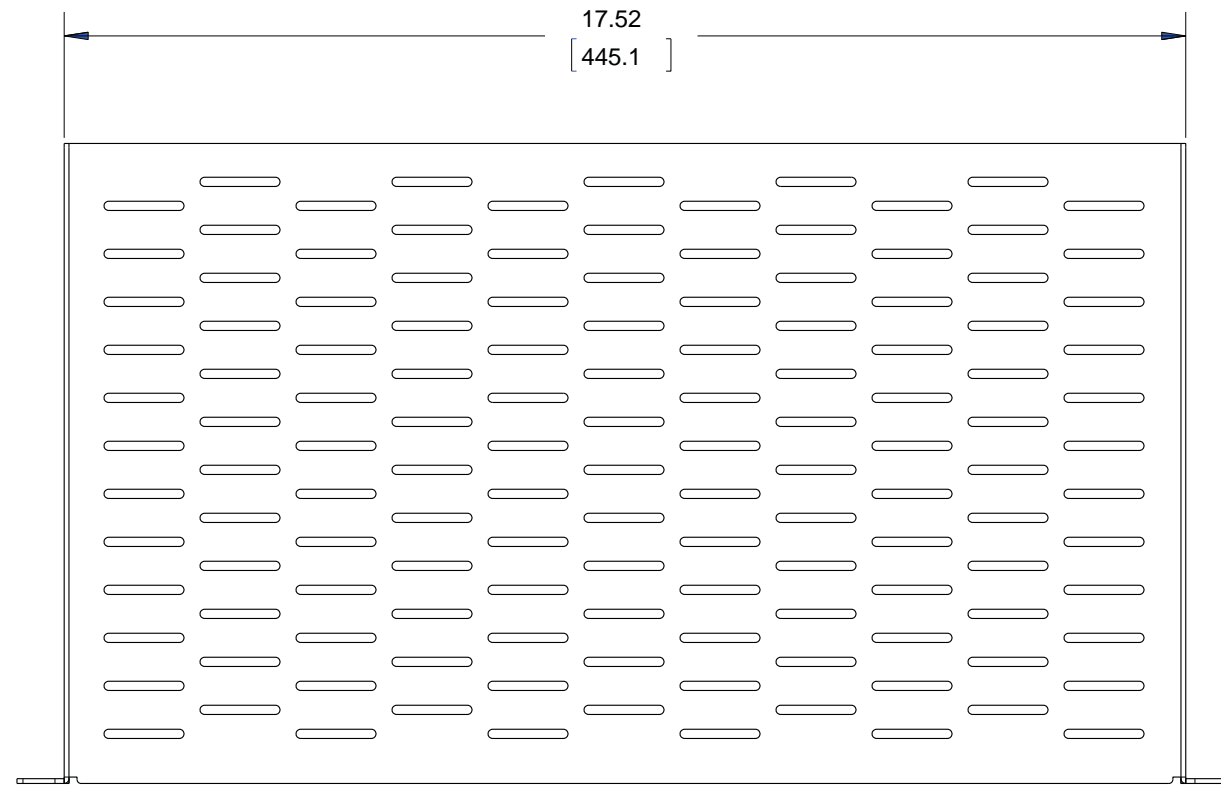
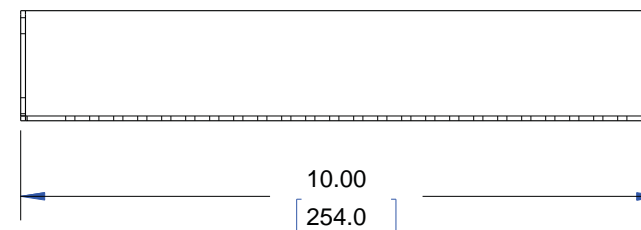
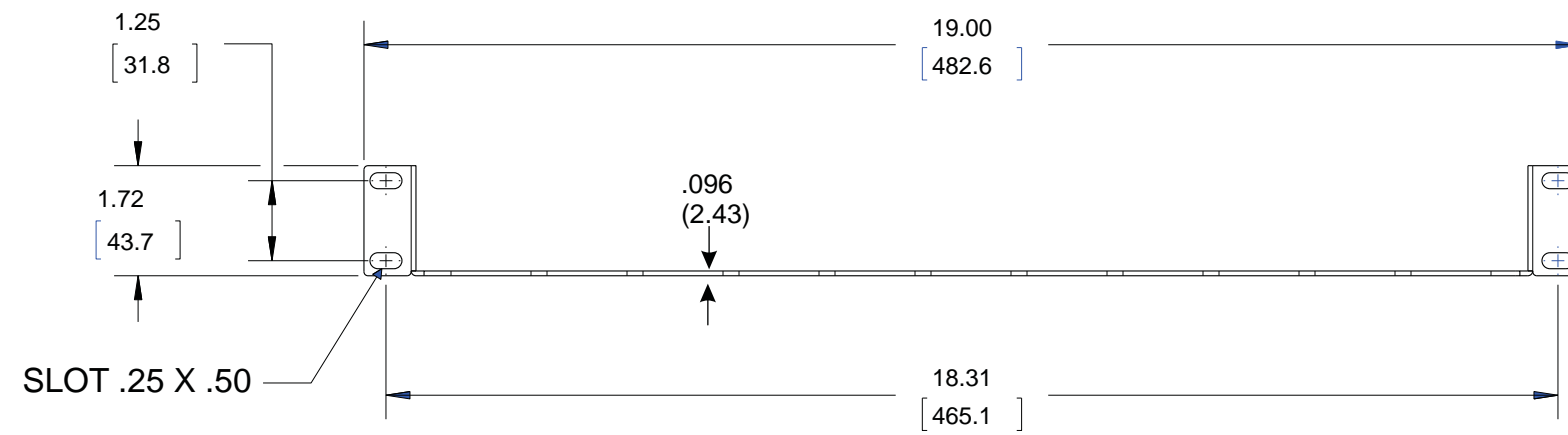


NTI P/N: RCK-TRAY-1RU



WEIGHT CAPACITY: 20 LBS



Units: Inches (Millimeters)