



Ordering a market-ready enclosure® is made fast and affordable with our complete in-house capabilities. New Age provides machined openings to fit your PCB, pad printing for your graphics, custom enclosures, custom colors, final assembly, testing and fulfillment services to save you additional time and money. Ask your representative for a free quote today 805-595-1310.

Fast and Affordable Customization

**CNC Modifications
Pad Printing
Colored Resins
EMI/RF Shielding
Custom Enclosure
Assembly & Testing**



ISO quality
off-the-shelf
to market-ready®

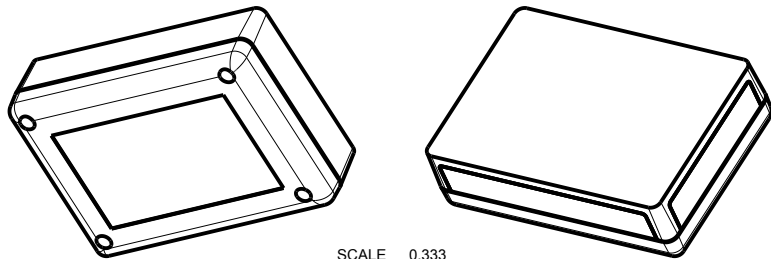
NEW AGE ENCLOSURES

www.NewAgeEnclosures.com

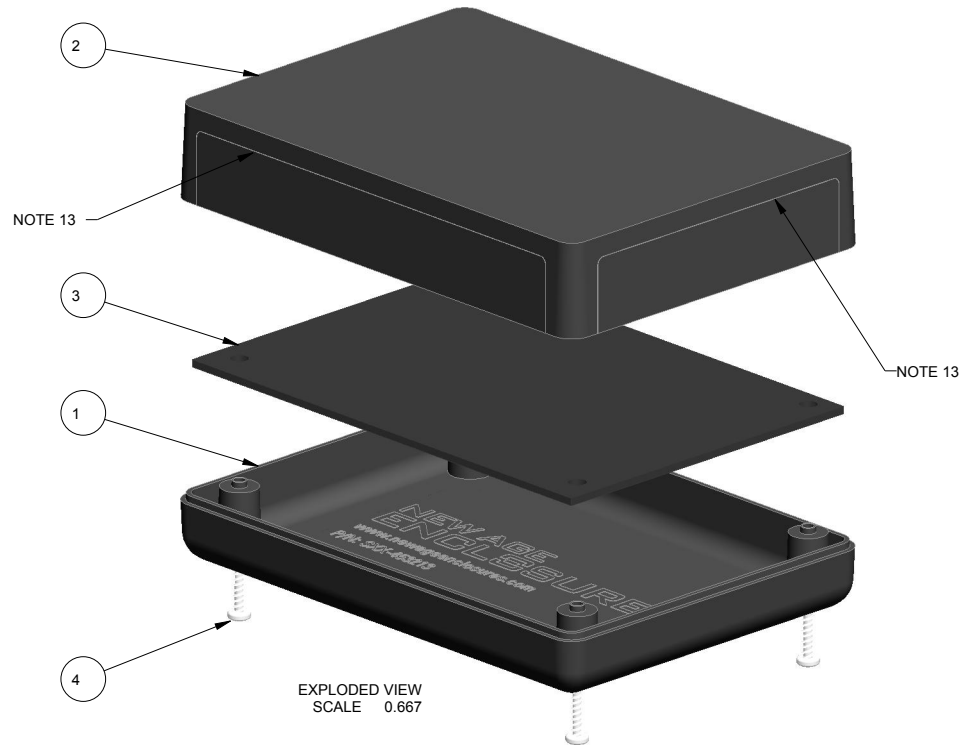
4330 Santa Fe Road • San Luis Obispo, CA 93401 • T 805.595.1310 • F 805.595.1024

NOTES: UNLESS OTHERWISE SPECIFIED

1. CORNERS DRAWN SHARP TO BE R.010 MAXIMUM.
2. EXTERIOR SURFACE TEXTURE TO BE EQUIVALENT TO MT-11007.
3. ALL INSIDE RADII .020R. UNLESS OTHERWISE SPECIFIED.
4. ALL EXTERNAL DIMENSIONS AFFECTED BY THE DRAFT APPLY AT THE LARGE END OF THE FEATURE, AND ALL INTERNAL FEATURES AFFECTED BY THE DRAFT APPLY AT THE SMALL END OF THE FEATURE UNLESS OTHERWISE SPECIFIED.
5. 1 DEGREE DRAFT IN THE DIRECTION OF PULL IS PERMISSIBLE UNLESS OTHERWISE SPECIFIED.
6. MATERIAL / COLOR: ABS PLASTIC IS STANDARD IN BLACK OR WHITE. CUSTOM MATERIALS AND COLORS ARE AVAILABLE UPON REQUEST FOR QUOTE.
7. PCB SIZES ARE RECOMMENDATIONS ONLY. FINAL SIZES AND VERIFICATION OF ITS FIT ARE THE SOLE RESPONSIBILITY OF EACH CUSTOMER.
8. ASSEMBLY SCREWS FOR THE ENCLOSURE INCLUDED. MOUNTING SCREWS FOR THE PCB ARE CUSTOMER SUPPLIED.
9. THIS DRAWING IS BASED ON A SOLID MODEL, AND IS FURTHER DEFINED BY THE SOLID MODEL FILE.
10. ALLOWABLE FLASH: 0.015 MAX.
11. ALL EJECTOR PIN MARKS TO BE WITHIN 0.015" OF FLUSH, PROTRUDING OR BELOW FLUSH.
12. TRIM GATE WITHIN 0.030" OF FLUSH.
13. BEAUTY MARKS ON COVER ARE DECORATIVE ONLY AND DO NOT AFFECT THE FUNCTIONALITY OF THE ENCLOSURE.



R E V I S I O N					
REV.	DRAWN BY	ECO No	DESCRIPTION	DATE	APPROVED
A	R CRUZ		PRELIMINARY RELEASE	31-Jan-14	D.C.
			REVISIONS B-H ARCHIVED ON REV 1.0		
1.0	R CRUZ	0369	UPDATE TO AS BUILT AND RELEASE	01-Jul-14	D.C.
2.0	R CRUZ	4214	ADD STANDARD CONFIGURATION OPTION	18-Sep-14	D.C.
3.0	R CRUZ	02716	REMOVE -KO OPTION THOUGHOUT	2016-May-09	

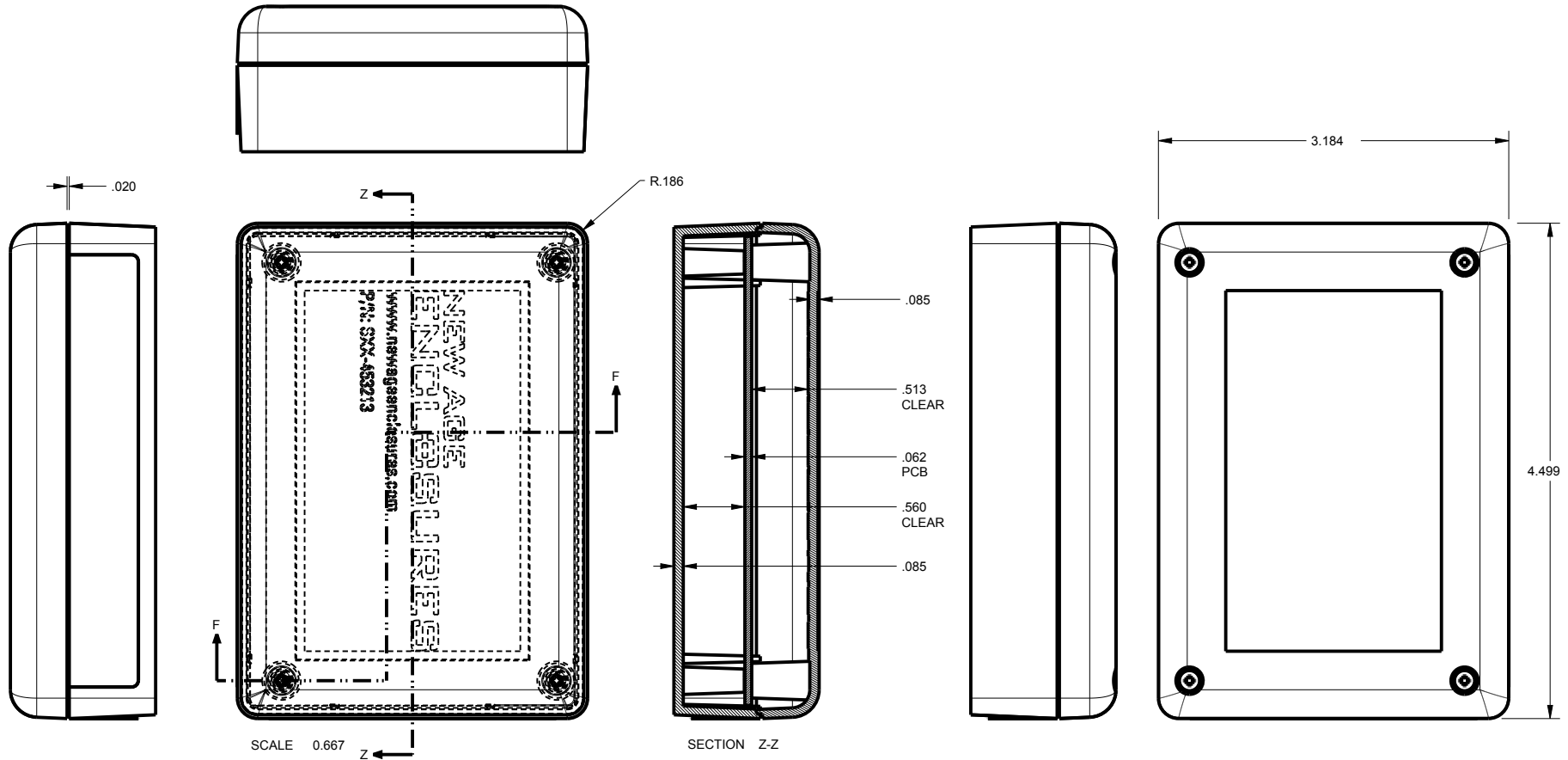


ITEM	FILE NAME	DESCRIPTION	MATERIAL	COLOR	QTY.
4	SCREW_HILO-N04X500	#4 HiLo x .500" SCREW	STEEL	ZINK PLATED	4
3	453213_PCB	453213 PCB - REFERENCE	.062" THICK	CUSTOMER SUPPLIED	1
2	453213_COVER	453213 COVER - STANDARD	ABS	BLACK or WHITE	1
1	453213_BASE	453213 BASE - STANDARD	ABS	BLACK or WHITE	1

BILL OF MATERIALS

THIRD ANGLE PROJECTION DO NOT SCALE DRAWING	TOLERANCES: UNLESS OTHERWISE SPECIFIED DIMENSIONS ARE IN U.S. INCHES. X.XX = .015 X.XXXX = .001 X.XXX = .010 X.X° = 1°		NEW AGE ENCLOSURES 4330 Santa Fe Road San Luis Obispo, CA. 93401 ph. (805) 595-1310 fax (805) 595-1024 www.newageenclosures.com		
	Customer's Part No: 453213				
APPROVAL BY DATE		CHECK ENG.		STD. - DEVELOPMENT ENCL. SXX-453213-XXX ASSEMBLY	
SCALE AS NOTED		DRAWN BY R CRUZ 31-Jan-14			
NOTICE: THE INFORMATION AND DATA CONTAINED HEREIN IS CONSIDERED PROPRIETARY TO ALLTEC INTEGRATED MFG INC & SHALL REMAIN THE EXCLUSIVE PROPERTY OF ALLTEC INTEGRATED MFG INC. THE HOLDER WILL ASSUME CUSTODY AND CONTROL THAT THIS DOCUMENT WILL NOT BE COPIED, REPRODUCED, OR DISCLOSED WITHOUT THE EXPRESS WRITTEN CONSENT OF ALLTEC INTEGRATED MFG INC. POSSESSION OF THIS DOCUMENT DOES NOT CONSTITUTE A GRANT TO MANUFACTURE ANY ITEMS. © 2016		SIZE A	DRAWING NAME 453213_R3_0	SHEET 1 OF 6	REV.DOC 3.0

453213 ASSEMBLY



SCALE 0.667

SECTION Z-Z

SECTION F-F

TOLERANCES: UNLESS OTHERWISE SPECIFIED
DIMENSIONS ARE IN U.S. INCHES.

X.XX = .015 X.XXXX = .001
X.XXX = .010 X.X° = 1°

NEW AGE ENCLOSURES
Customer's Part No: 453213

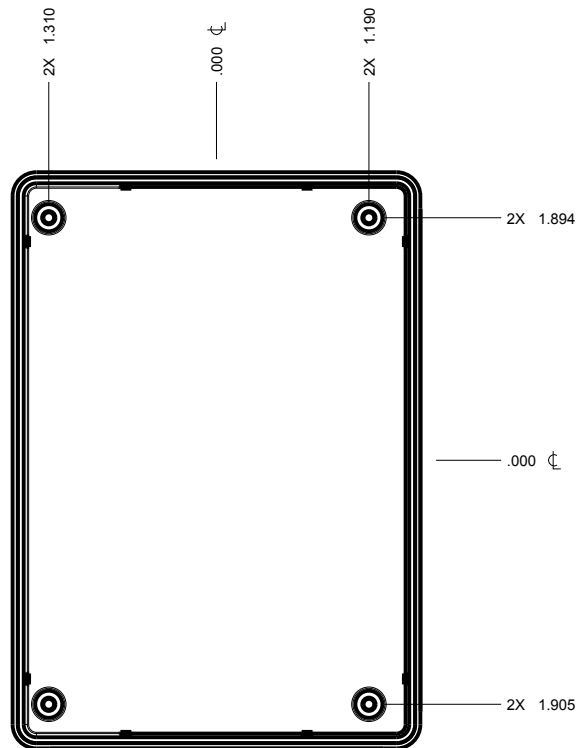
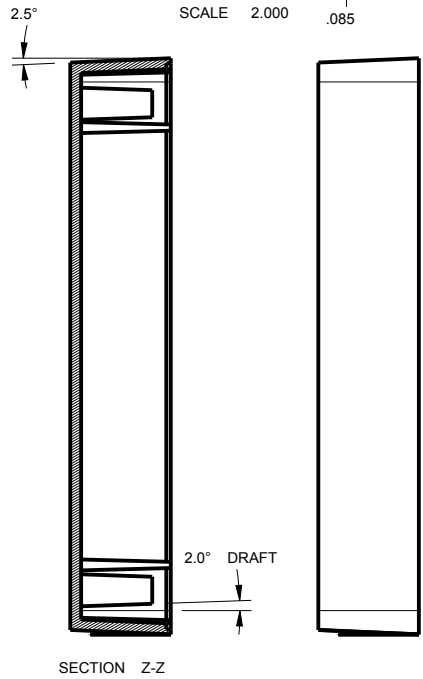
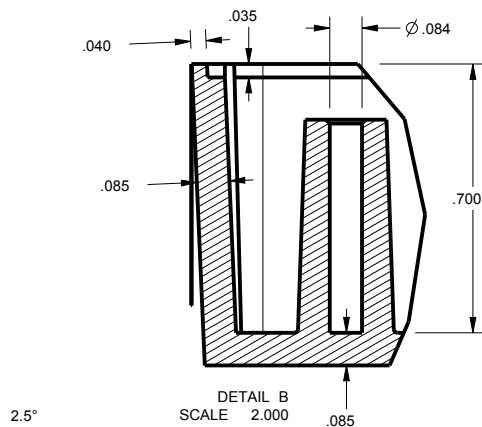
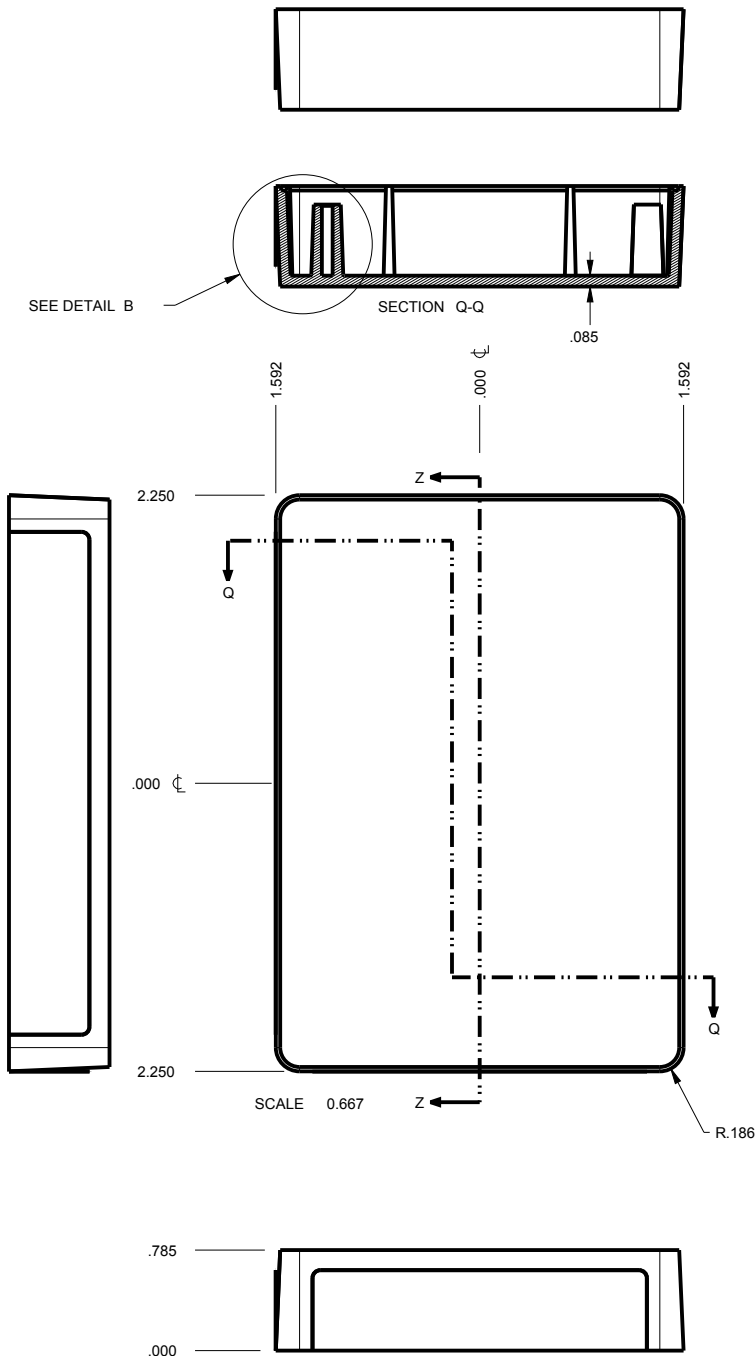
APPROVAL	BY	DATE
CHECK		
ENG.		
SCALE	AS NOTED	
DRAWN BY	31-Jan-14	
R CRUZ		

NEW AGE ENCLOSURES
 4330 Santa Fe Road San Luis Obispo, CA. 93401
 ph. (805) 595-1310 fax (805) 595-1024
www.newageenclosures.com

STD. - DEVELOPMENT ENCL.
SXX-453213-XXX ASSEMBLY

SIZE	DRAWING NAME	SHEET	REV.DOC
A	453213_R3_0	2 OF 6	3.0

453213 COVER



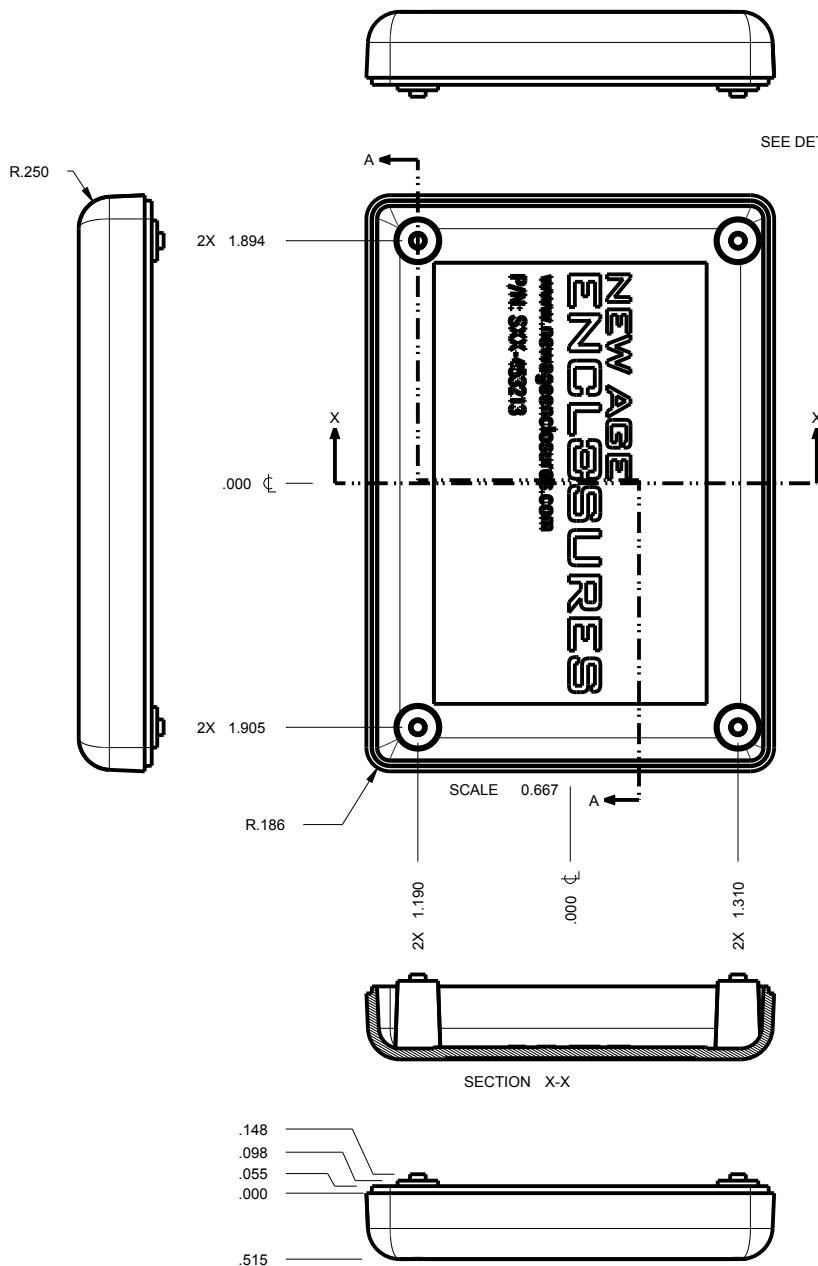
TOLERANCES: UNLESS OTHERWISE SPECIFIED DIMENSIONS ARE IN U.S. INCHES.		NEW AGE ENCLOSURES	
X.XX = .015 X.XXXX = .001		4330 Santa Fe Road San Luis Obispo, CA. 93401	
X.XXX = .010 X.X° = 1°		ph. (805) 595-1310 fax (805) 595-1024	
NEW AGE ENCLOSURES		www.newageenclosures.com	
Customer's Part No: 453213			
APPROVAL	BY	DATE	
CHECK			
ENG.			
SCALE	AS NOTED		
DRAWN BY		SIZE	DRAWING NAME
R CRUZ	31-Jan-14	A	453213_R3_0
		SHEET	REV.DOC
		3 OF 6	3.0

NEW AGE ENCLOSURES

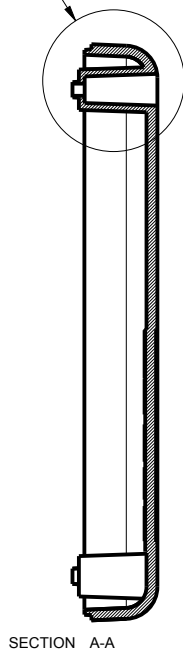
4330 Santa Fe Road San Luis Obispo, CA. 93401
ph. (805) 595-1310 fax (805) 595-1024
www.newageenclosures.com

STD. - DEVELOPMENT ENCL.
SXX-453213-XXX ASSEMBLY

453213 BASE

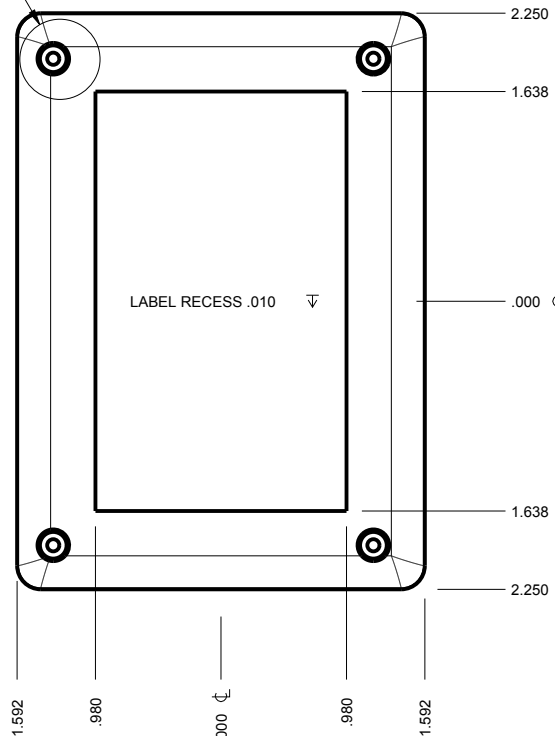


SEE DETAIL D

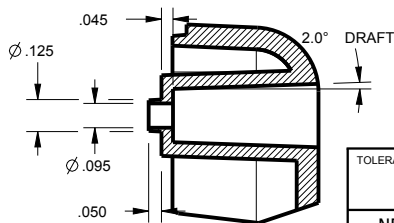
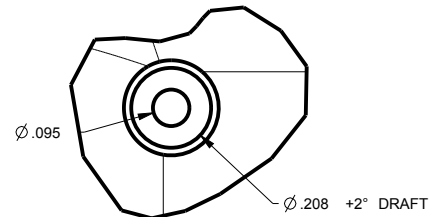


SECTION A-A

SEE DETAIL C



DETAIL C
SCALE 2.000



DETAIL D
SCALE 1.334

TOLERANCES: UNLESS OTHERWISE SPECIFIED
DIMENSIONS ARE IN U.S. INCHES.

X.XX = .015 X.XXXX = .001
X.XXX = .010 X.X° = 1°

NEW AGE ENCLOSURES

Customer's Part No: 453213

APPROVAL BY DATE

CHECK

ENG.

SCALE AS NOTED

DRAWN BY R CRUZ

31-Jan-14

NEW AGE ENCLOSURES

4330 Santa Fe Road San Luis Obispo, CA. 93401
ph. (805) 595-1310 fax (805) 595-1024

www.newageenclosures.com

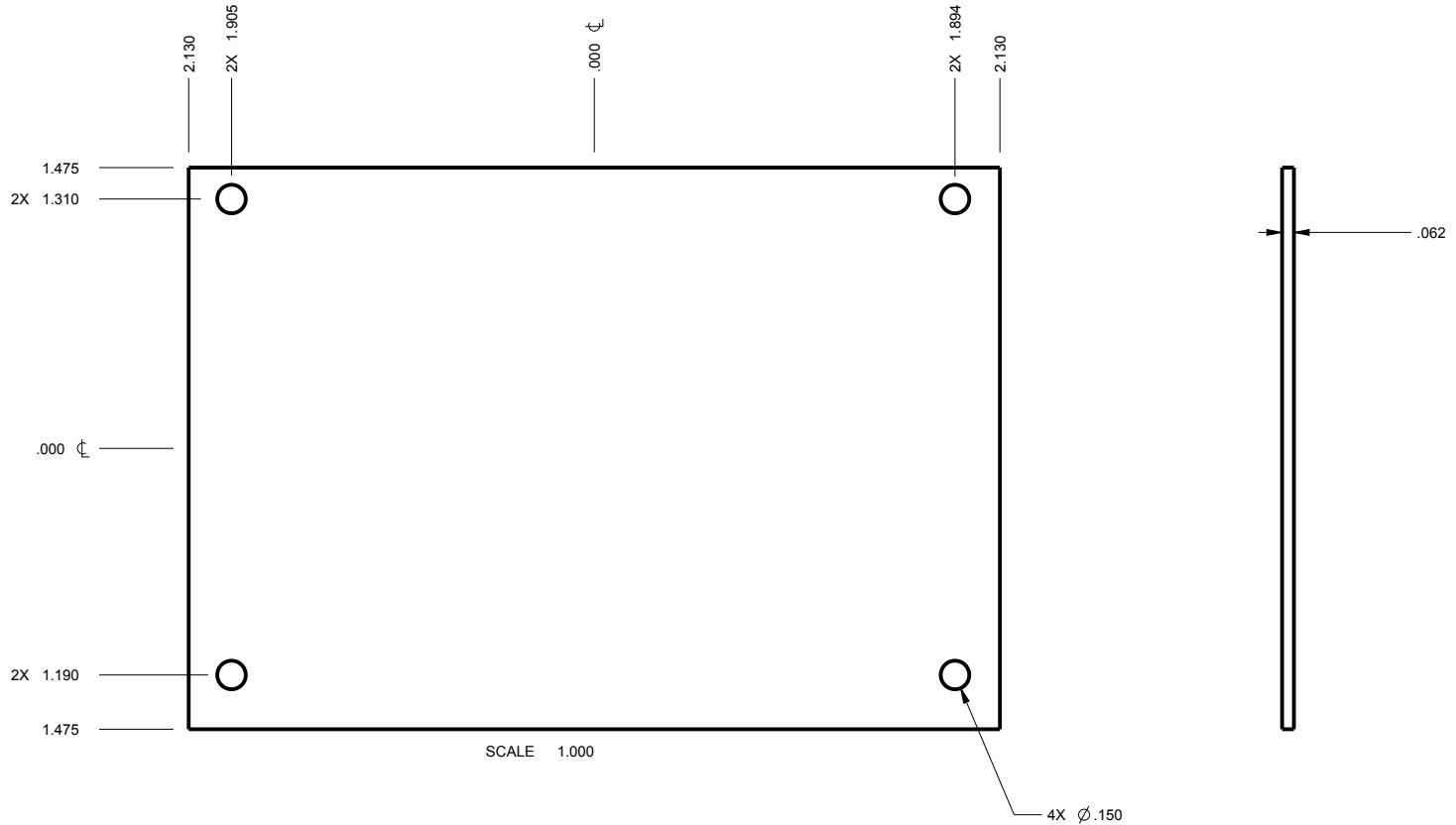
STD. - DEVELOPMENT ENCL.
SXX-453213-XXX ASSEMBLY

SIZE A
DRAWING NAME 453213_R3_0

SHEET 4 OF 6
REV.DOC 3.0

453213 PCB - CUSTOMER SUPPLIED

PCB SIZES ARE RECOMMENDATIONS ONLY. FINAL SIZES AND VERIFICATION OF ITS FIT ARE THE SOLE RESPONSIBILITY OF THE CUSTOMER.



TOLERANCES: UNLESS OTHERWISE SPECIFIED
DIMENSIONS ARE IN U.S. INCHES.
X.XX = .015 X.XXXX = .001
X.XXX = .010 X.X° = 1°

NEW AGE ENCLOSURES

Customer's Part No: 453213

APPROVAL BY DATE

CHECK

ENG.

SCALE AS NOTED

DRAWN BY R CRUZ 31-Jan-14

NEW AGE ENCLOSURES

4330 Santa Fe Road San Luis Obispo, CA. 93401
ph. (805) 595-1310 fax (805) 595-1024

www.newageenclosures.com

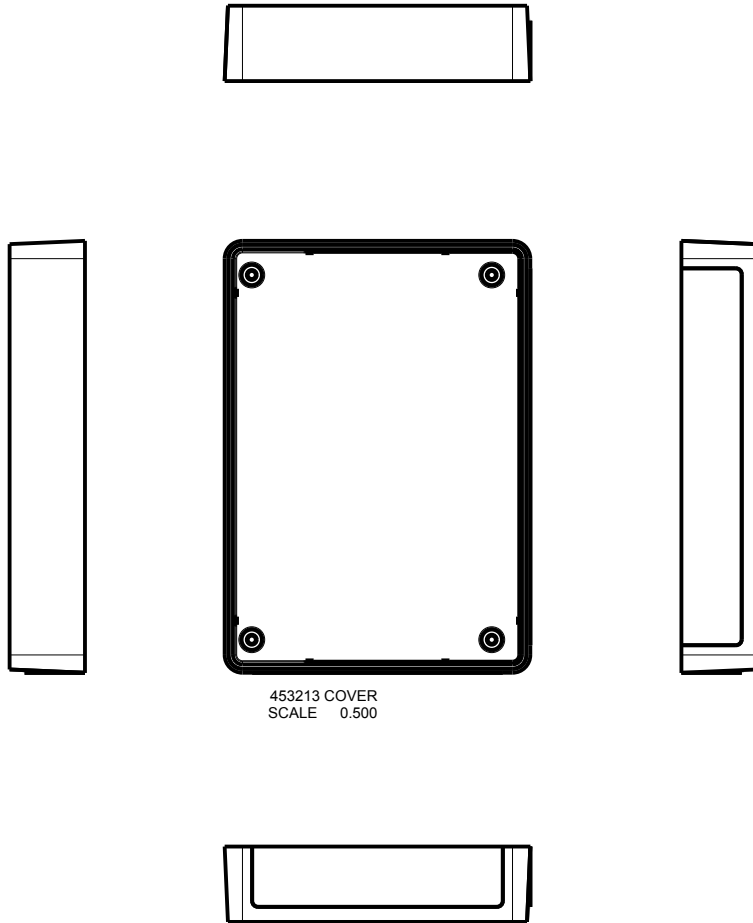
STD. - DEVELOPMENT ENCL.
SXX-453213-XXX ASSEMBLY

SIZE A DRAWING NAME 453213_R3_0

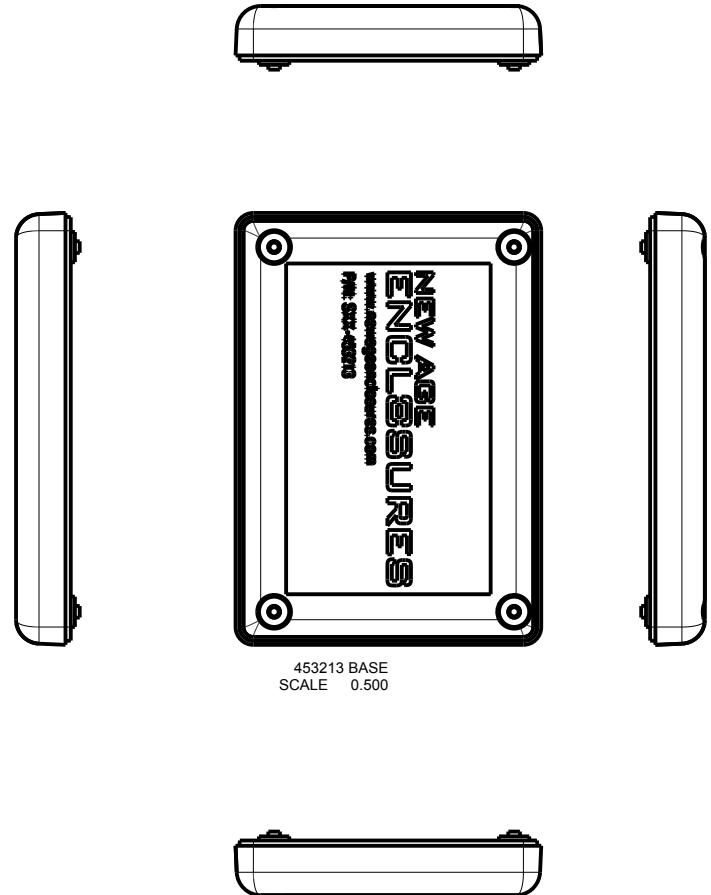
SHEET 5 OF 6 REV.DOC 3.0

453213 - 2nd OPERATION DETAILS

NEW AGE ENCLOSURES DELIVERS YOUR ENCLOSURE MARKET-READY WITH IN-HOUSE CNC MACHINING, PAD PRINTING, ASSEMBLY, AND FULFILLMENT.
 ALL SURFACES AND AREAS ARE AVAILABLE FOR CNC ALTERATION BY NEW AGE ENCLOSURES
 CALL (805) 595-1310 FOR PRICING AND SCHEDULE.
 THE INSIDE RADIUS OF ANY MACHINED FEATURES SHOULD BE NO SMALLER THAN .031"



453213 COVER
SCALE 0.500



453213 BASE
SCALE 0.500

SXX-453213-XXX COVER - ABS, BLACK

STEP NO	DESCRIPTION	CUTTER	FIXTURE	ORIENTATION	PROGRAM
1-C-C1	-	T2 = .062" EM	-	-	-

SXX-453213-XXX BASE - ABS, BLACK

STEP NO	DESCRIPTION	CUTTER	FIXTURE	ORIENTATION	PROGRAM
2-B-C1	-	T2 = .062" EM	-	-	-

TOLERANCES: UNLESS OTHERWISE SPECIFIED
 DIMENSIONS ARE IN U.S. INCHES.
 X.XX = .015 X.XXXX = .001
 X.XXX = .010 XX° = 1°

NEW AGE ENCLOSURES
 Customer's Part No: 453213

NEW AGE ENCLOSURES
 4330 Santa Fe Road San Luis Obispo, CA. 93401
 ph. (805) 595-1310 fax (805) 595-1024
www.newageenclosures.com

APPROVAL BY DATE
 CHECK ENG.
 SCALE AS NOTED
 DRAWN BY R CRUZ
 31-Jan-14

STD. - DEVELOPMENT ENCL.
 SXX-453213-XXX ASSEMBLY

SIZE A DRAWING NAME 453213_R3_0 SHEET 6 OF 6 REV.DOC 3.0