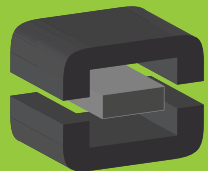




From Off-The-Shelf to Market-Ready© New Age Enclosures is your Single Source Solution.
Let us quote modifying our Stock Enclosures to meet your end-use.
visit newageenclosures.com/services or call 855-4NA-ENCL today.

CNC CUTOUTS
PART DECORATING
CUSTOM COLOR AND MATERIAL
RF/EMI SHEILDING
CUSTOM TOOL INSERTS
CUSTOM ENCLOSURES AND DESIGN



NEW AGE
ENCLOSURES

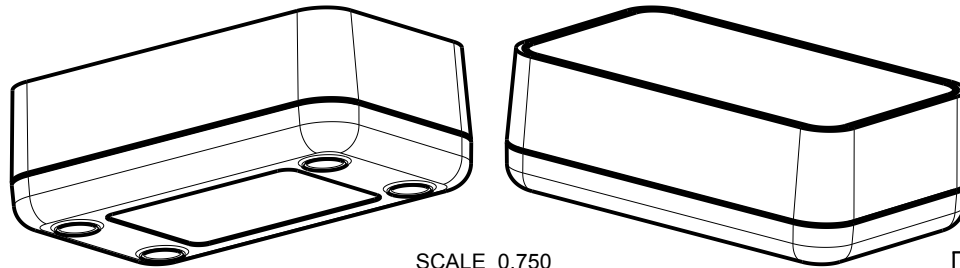
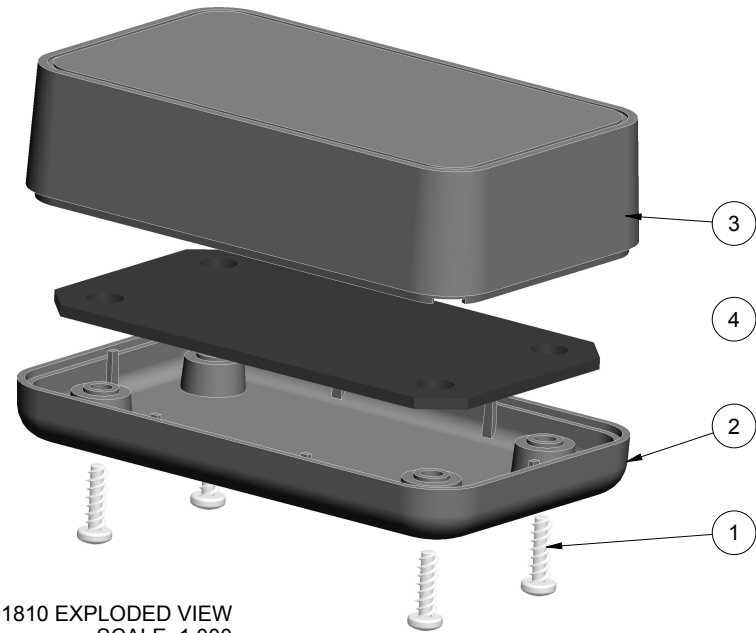
DEVELOP THE FUTURE



NOTES: UNLESS OTHERWISE SPECIFIED

1. CORNERS DRAWN SHARP TO BE R.005 MAXIMUM.
2. EXTERIOR SURFACE TEXTURE TO BE LIGHT EDM FINISH. EQUIVALENT TO MT-11010.
3. INTERIOR SURFACE TEXTURE TO BE: NONE.
4. ALL INSIDE RADII .010R. UNLESS OTHERWISE SPECIFIED.
5. ALL EXTERNAL DIMENSIONS AFFECTED BY THE DRAFT APPLY AT THE LARGE END OF THE FEATURE, AND ALL INTERNAL FEATURES AFFECTED BY THE DRAFT APPLY AT THE SMALL END OF THE FEATURE UNLESS OTHERWISE SPECIFIED.
6. 1 DEGREE DRAFT IN THE DIRECTION OF PULL IS PERMISSIBLE UNLESS OTHERWISE SPECIFIED.
7. MATERIAL / COLOR: ABS PLASTIC IS STANDARD IN BLACK OR WHITE. CUSTOM MATERIALS AND COLORS ARE AVAILABLE UPON REQUEST FOR QUOTE. ALTERNATE RESINS HAVE DIFFERENT SHRINK RATES, AND WILL EFFECT DIMENSIONS.
8. PCB SIZES ARE RECOMMENDATIONS ONLY. FINAL SIZES AND VERIFICATION OF ITS FIT ARE THE SOLE RESPONSIBILITY OF EACH CUSTOMER.
9. ASSEMBLY SCREWS FOR THE ENCLOSURE INCLUDED.
10. THIS DRAWING IS BASED ON A SOLID MODEL, AND IS FURTHER DEFINED BY THE SOLID MODEL FILE.
11. ALLOWABLE FLASH: 0.015 MAX.
12. ALL EJECTOR PIN MARKS TO BE WITHIN 0.015" OF FLUSH, PROTRUDING OR BELOW FLUSH.
13. TRIM GATE WITHIN 0.030" OF FLUSH.

R E V I S I O N					
REV.	DRAWN BY	ECO No	DESCRIPTION	DATE	APPROVED
A	R CRUZ	DR XXX	PRELIMINARY RELEASE	2016-Jul-07	D.C.
B	R CRUZ		UPDATE NOTE 2, CASE SIZE, PRODUCT NAME, RECESS	2016-Jul-14	D.C.
C	M BOYER		UPDATE DIMENSIONS	2016-Sep-08	D.C.
D	R CRUZ		UPDATE NOTE 2, ENCLOSURE NAME, & PCB SHAPE	2016-Oct-06	D.C.
E	R CRUZ		ADD RIBS ON BASE, REVISE PCB SHAPE AND ADD NOTE	2016-Nov-30	D.C.
1.0	M BOYER		RELEASED TO MFG PER CUSTOMER	2017-Feb-15	

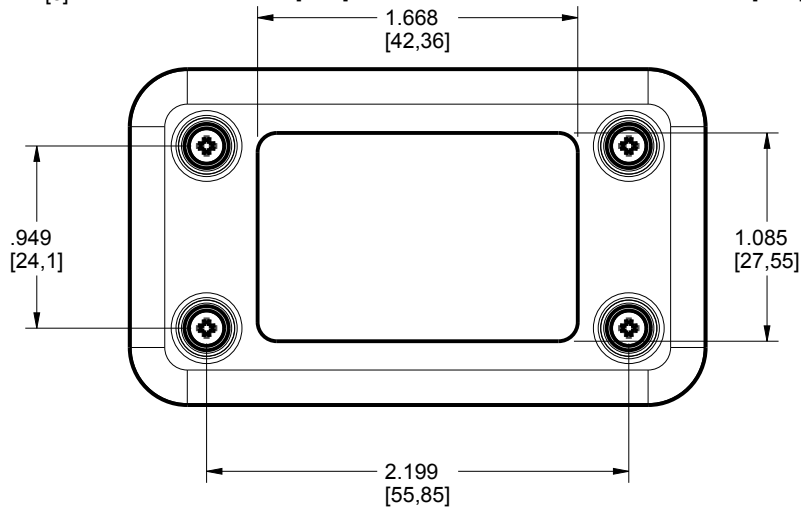
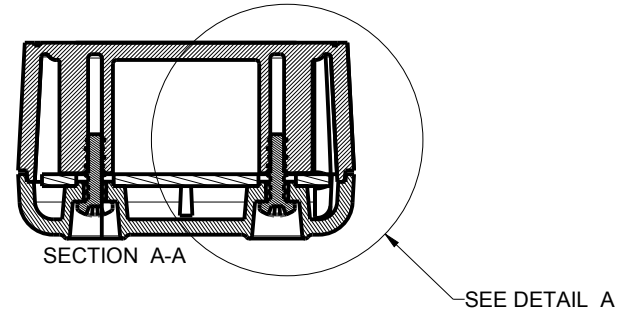
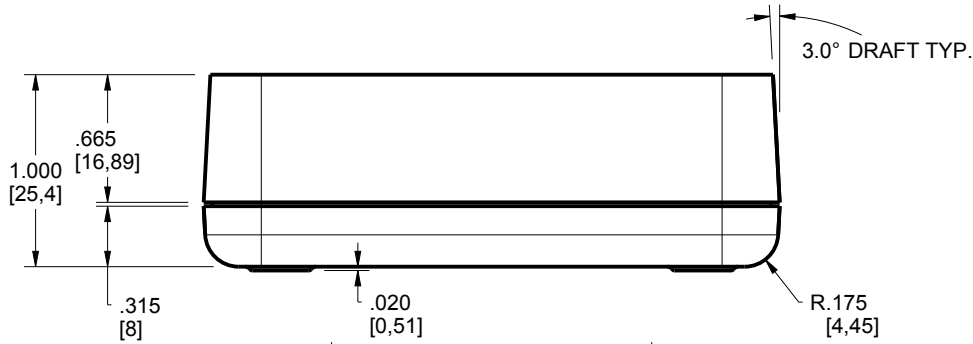
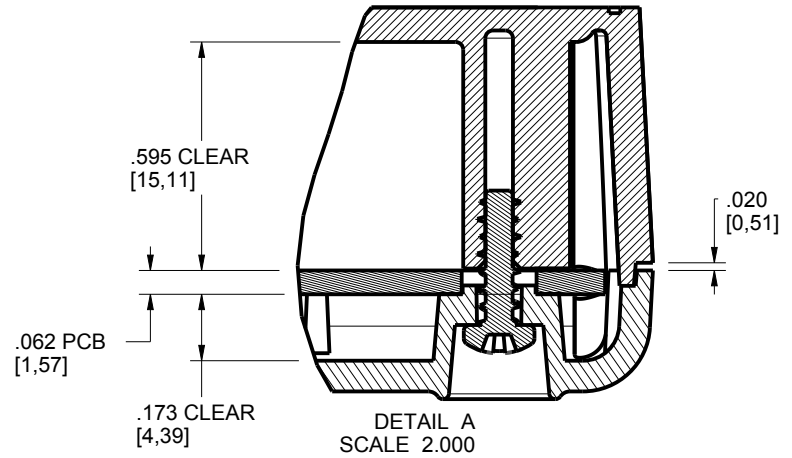
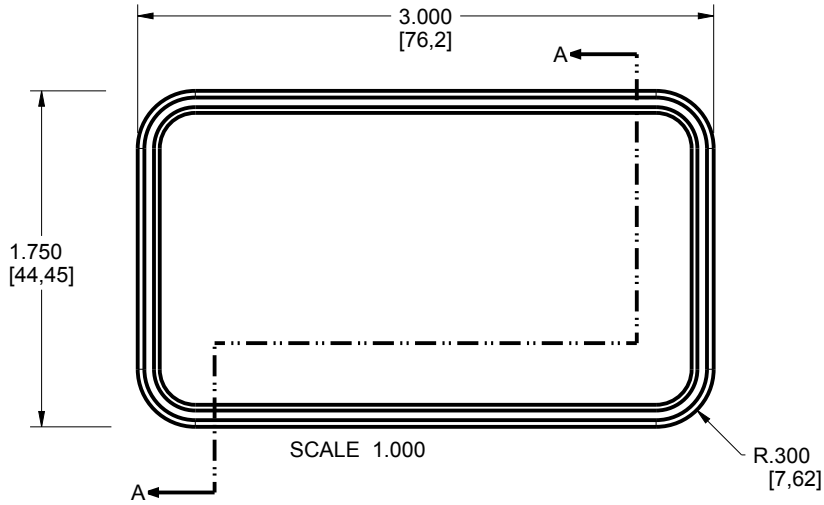


4	301810_PCB_062	301810 PCB - REFERENCE	.062" THICK	CUSTOMER SUPPLIED	1
3	301810_COVER	301810 COVER - STANDARD	ABS	BLACK or WHITE	1
2	301810_BASE	301810 BASE - STANDARD	ABS	BLACK or WHITE	1
1	SCREW_HILO-N04X375	#4 HiLo x .375" SCREW	ZINK PLATED	3/8" LONG	4
ITEM	FILE NAME	DESCRIPTION	MATERIAL	COLOR	QTY.

BILL OF MATERIALS

THIRD ANGLE PROJECTION DO NOT SCALE DRAWING	TOLERANCES: UNLESS OTHERWISE SPECIFIED DIMENSIONS ARE IN U.S. INCHES. X.XX = .015 X.XXXX = .001 X.XXX = .010 X.X" = 1°		NEW AGE ENCLOSURES 4330 Santa Fe Road San Luis Obispo, CA. 93401 ph. (805) 595-1310 fax (805) 595-1024 www.newageenclosures.com	
	NEW AGE ENCLOSURES Customer's Part No: 301810			
APPROVAL	BY	DATE	STANDARD - MULTI-PORT BAR SXX-301810-XXX	
CHECK				
ENG.				
SCALE	AS NOTED		DRAWN BY	SIZE
	R CRUZ	2016-Jul-07	A	DRAWING NAME
				301810_R1_0
			SHEET	REV.DOC
			1 OF 6	1.0

301810 ASSEMBLY



TOLERANCES: UNLESS OTHERWISE SPECIFIED
DIMENSIONS ARE IN U.S. INCHES.
X.XX = .015 X.XXXX = .001
X.XXX = .010 X.X° = 1°

NEW AGE ENCLOSURES
Customer's Part No: 301810

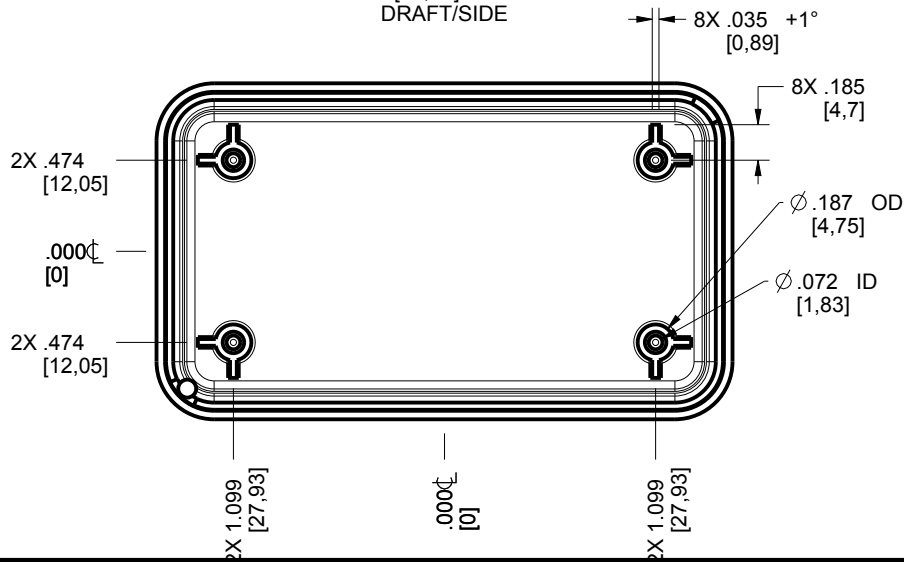
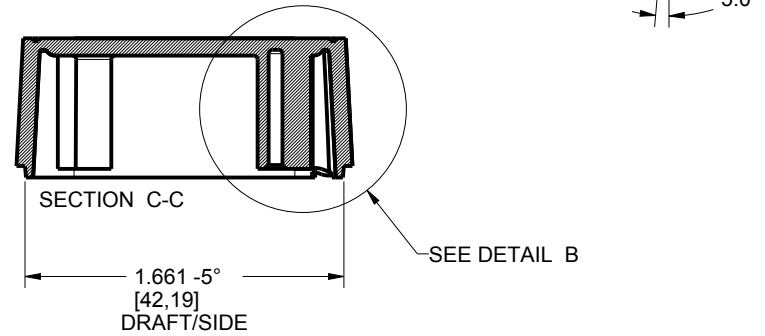
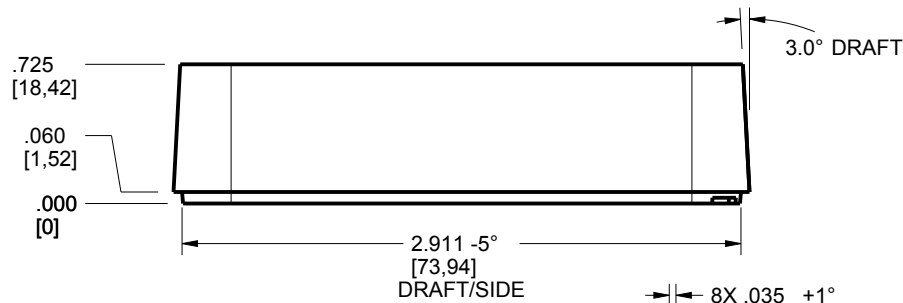
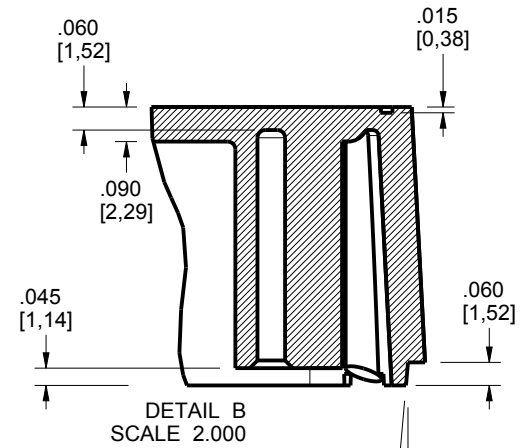
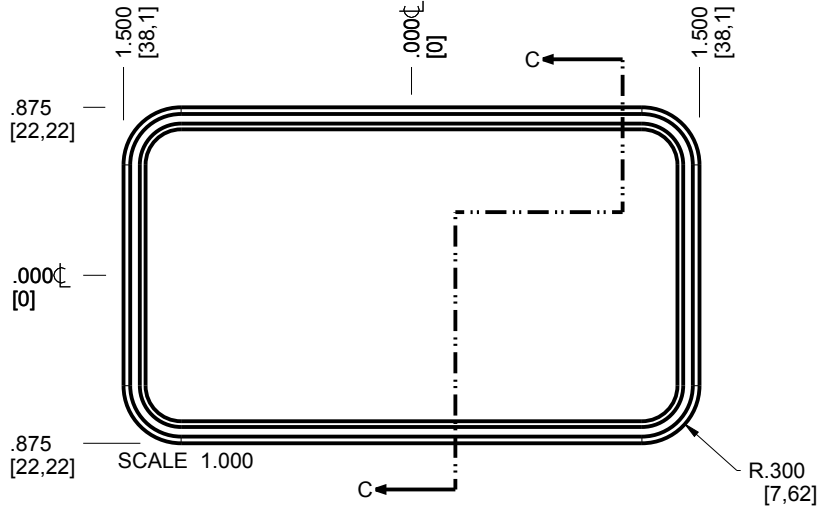
APPROVAL	BY	DATE
CHECK		
ENG.		
SCALE	AS NOTED	
DRAWN BY	2016-Jul-07	
R CRUZ		

NEW AGE ENCLOSURES
4330 Santa Fe Road San Luis Obispo, CA. 93401
ph. (805) 595-1310 fax (805) 595-1024
www.newageenclosures.com

STANDARD - MULTI-PORT BAR
SXX-301810-XXX

SIZE	DRAWING NAME	SHEET	REV.DOC
A	301810_R1_0	2 OF 6	1.0

301810 COVER



TOLERANCES: UNLESS OTHERWISE SPECIFIED
 DIMENSIONS ARE IN U.S. INCHES.
 X.XX = .015 X.XXXX = .001
 X.XXX = .010 X.X° = 1°

NEW AGE ENCLOSURES

Customer's Part No: 301810

APPROVAL BY DATE

CHECK

ENG.

SCALE AS NOTED

DRAWN BY R CRUZ 2016-Jul-07

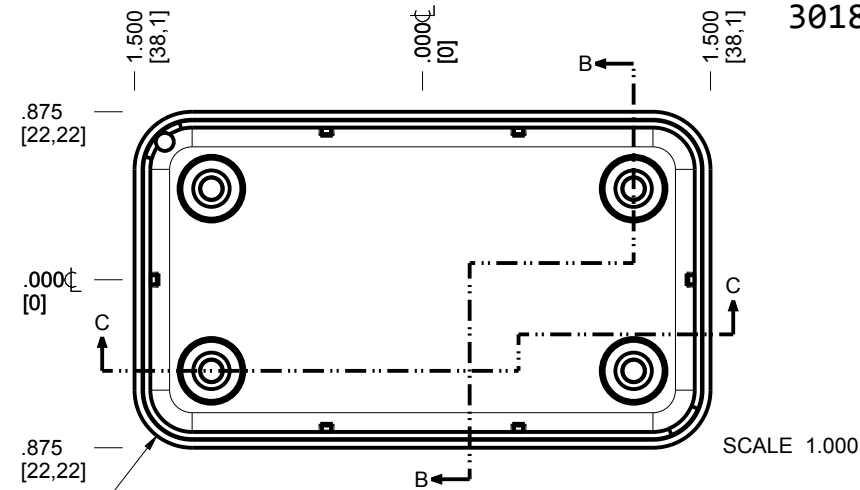
NEW AGE ENCLOSURES

4330 Santa Fe Road San Luis Obispo, CA. 93401
 ph. (805) 595-1310 fax (805) 595-1024
www.newageenclosures.com

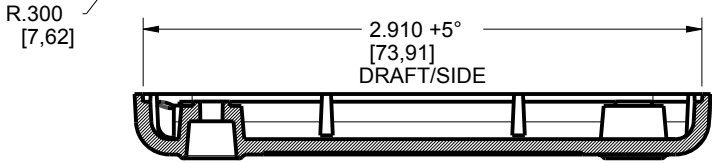
STANDARD - MULTI-PORT BAR
 SXX-301810-XXX

SIZE A DRAWING NAME 301810_R1_0 SHEET 3 OF 6 REV.DOC 1.0

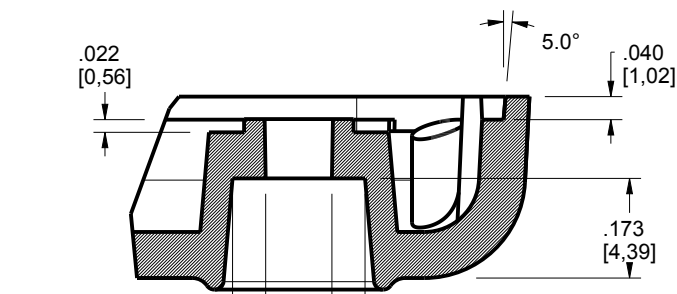
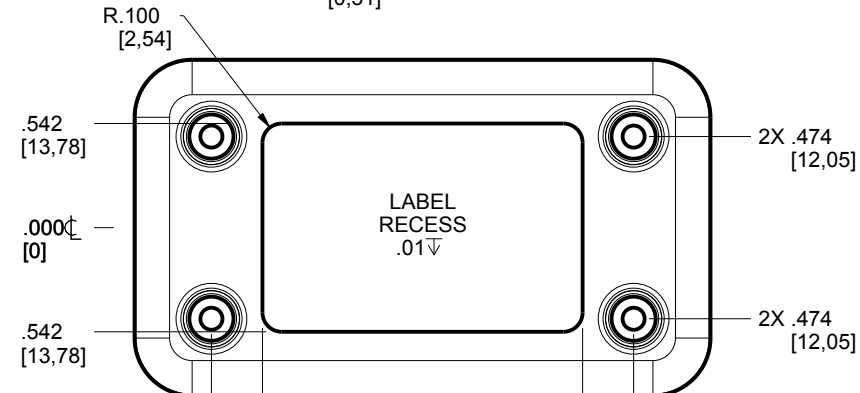
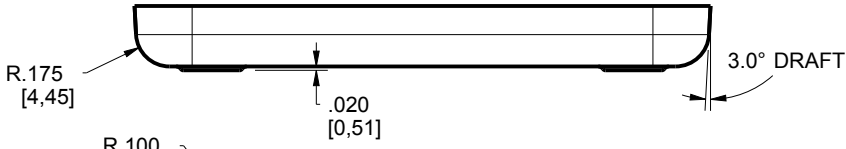
301810 BASE



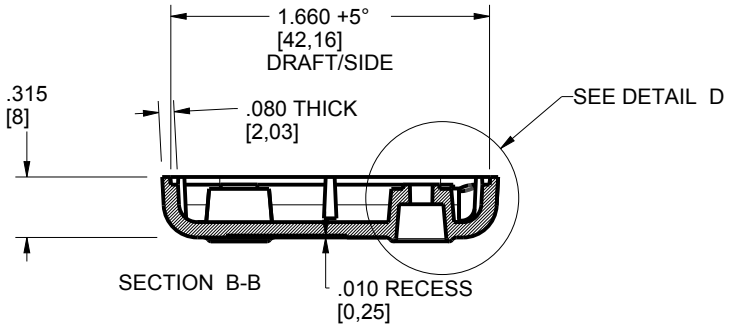
SCALE 1.000



SECTION C-C



DETAIL D
SCALE 3.000



SECTION B-B

TOLERANCES - UNLESS OTHERWISE SPECIFIED DIMENSIONS ARE IN U.S. INCHES.
 X.XX = .015 X.XXXX = .001
 X.XXX = .010 X.X° = 1°

APPROVAL	BY	DATE
CHECK		
ENG.		
SCALE	AS NOTED	
DRAWN BY	2016-Jul-07	
R CRUZ		

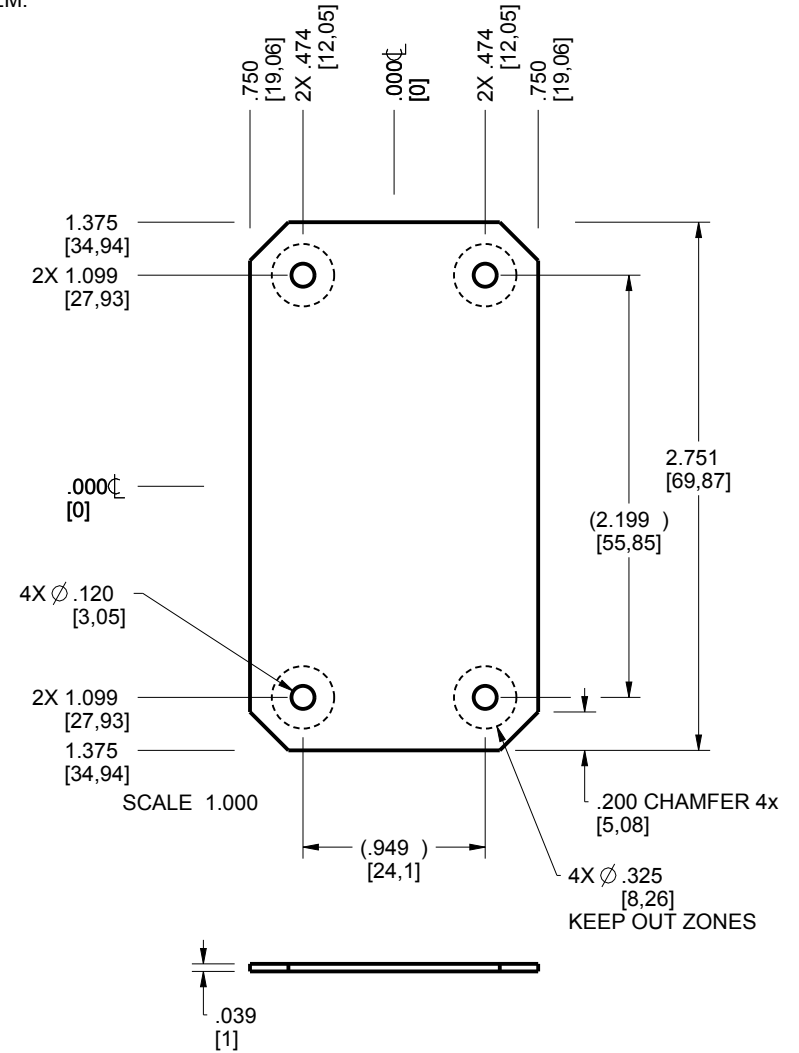
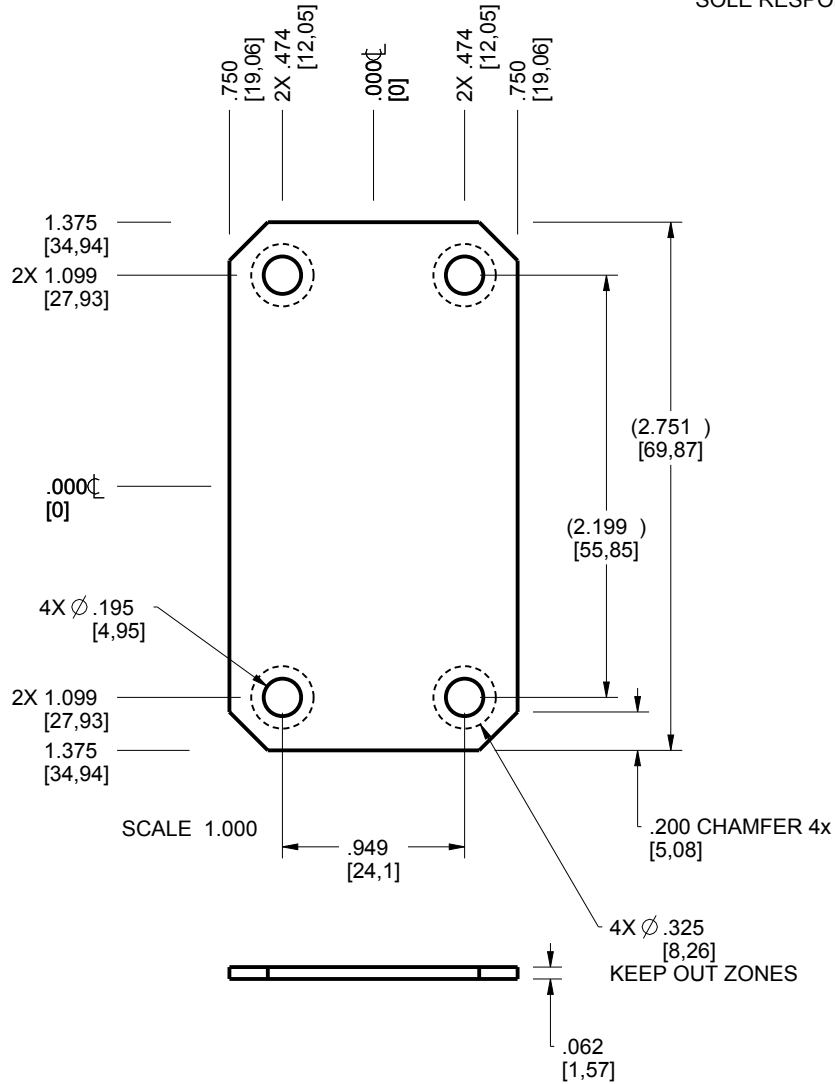
NEW AGE ENCLOSURES
 4330 Santa Fe Road San Luis Obispo, CA. 93401
 ph. (805) 595-1310 fax (805) 595-1024
www.newageenclosures.com

STANDARD - MULTI-PORT BAR
 SXX-301810-XXX

SIZE	DRAWING NAME	SHEET	REV.DOC
A	301810_R1_0	4 OF 6	1.0

301810 PCB .062" - CUSTOMER SUPPLIED

PCB SIZES ARE RECOMMENDATIONS ONLY. FINAL SIZES AND VERIFICATION OF ITS FIT ARE THE SOLE RESPONSIBILITY OF THE OEM.



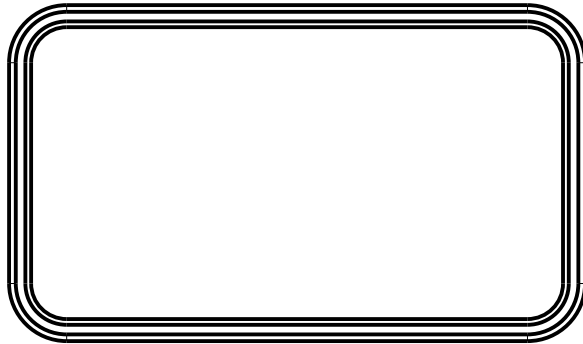
NOTE: ENCLOSURE WILL ACCOMMODATE EITHER A .039" PCB OR A .062" PCB, NOT BOTH. BOARDS SHOWN ARE MAXIMUM ENVELOPE DIMENSIONS THIS ENCLOSURE CAN HOUSE. BOARD SIZE AND SHAPE ARE UP TO THE DESIGNER'S DISCRETION AS LONG AS IT'S KEPT WITHIN ENVELOPE DIMENSIONS SHOWN AND PCB MOUNTING HOLE PATTERN IS MAINTAINED.

TOLERANCES: UNLESS OTHERWISE SPECIFIED DIMENSIONS ARE IN U.S. INCHES. X.XX = .015 X.XXXX = .001 X.XXX = .010 X.X° = 1°		NEW AGE ENCLOSURES	
NEW AGE ENCLOSURES		4330 Santa Fe Road San Luis Obispo, CA. 93401 ph. (805) 595-1310 fax (805) 595-1024 www.newageenclosures.com	
Customer's Part No: 301810			
APPROVAL	BY	DATE	
CHECK			
ENG.			
SCALE	AS NOTED		
DRAWN BY	2016-Jul-07	SIZE	DRAWING NAME
R CRUZ		A	301810_R1_0
		SHEET	REV.DOC
		5 OF 6	1.0

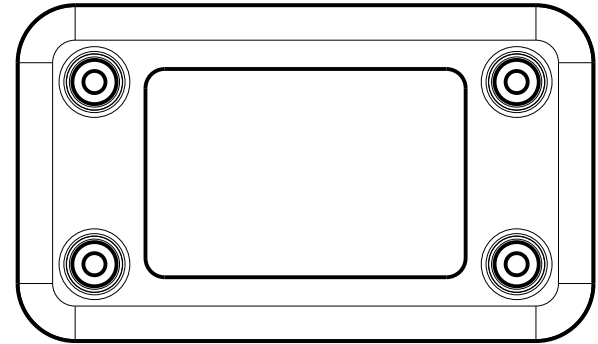
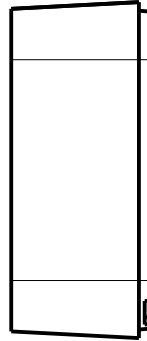
NEW AGE ENCLOSURES
STANDARD - MULTI-PORT BAR
SXX-301810-XXX

301810 - 2nd OPERATION DETAILS

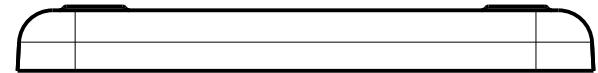
NEW AGE ENCLOSURES DELIVERS YOUR ENCLOSURE MARKET-READY WITH IN-HOUSE CNC MACHINING, PAD PRINTING, ASSEMBLY, AND FULFILLEMENT.
 ALL SURFACES AND AREAS ARE AVAILABLE FOR CNC ALTERATION BY NEW AGE ENCLOSURES
 CALL (805) 595-1310 FOR PRICING AND SCHEDULE.
 THE INSIDE RADIUS OF ANY MACHINED FEATURES SHOULD BE NO SMALLER THAN .031"



301810 COVER
SCALE 1.000



301810 BASE
SCALE 1.000



SXX-301810-XXX COVER - ABS, BLACK					
STEP NO	DESCRIPTION	CUTTER	FIXTURE	ORIENTATION	PROGRAM
1-C-C1	-	T2 = .062" EM	-		
2-C-C2	-	T2 = .062" EM	-		

SXX-301810-XXX COVER - ABS, BLACK				
STEP NO	DESCRIPTION	INK COLOR	CLICHE DESCRIPTION	CLICHE No.
3-C-P1	PAD PRINT			CLXXXX R1

TOLERANCES: UNLESS OTHERWISE SPECIFIED DIMENSIONS ARE IN U.S. INCHES.		
X.XX = .015	X.XXXX = .001	
X.XXX = .010	X.X° = 1°	
NEW AGE ENCLOSURES		
Customer's Part No: 301810		
APPROVAL	BY	DATE
CHECK		
ENG.		
SCALE	AS NOTED	
DRAWN BY	2016-Jul-07	
R CRUZ		

NEW AGE ENCLOSURES
 4330 Santa Fe Road San Luis Obispo, CA. 93401
 ph. (805) 595-1310 fax (805) 595-1024
www.newageenclosures.com

STANDARD - MULTI-PORT BAR
SXX-301810-XXX

SIZE	DRAWING NAME	SHEET	REV.DOC
A	301810_R1_0	6 OF 6	1.0