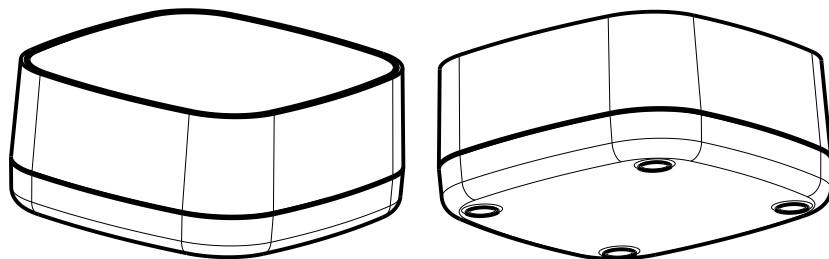


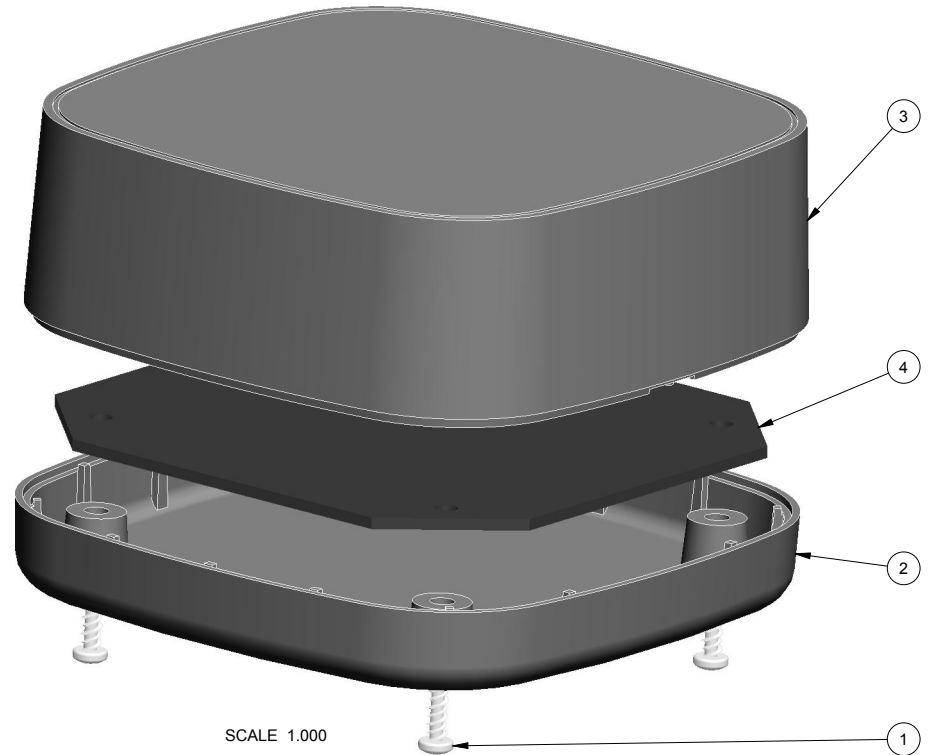
NOTES: UNLESS OTHERWISE SPECIFIED

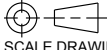
1. CORNERS DRAWN SHARP TO BE R.005 MAXIMUM.
2. EXTERIOR SURFACE TEXTURE TO BE LIGHT EDM FINISH. EQUIVELANT TO MT-11007.
3. INTERIOR SURFACE TEXTURE TO BE: NONE.
4. ALL INSIDE RADII .010R. UNLESS OTHERWISE SPECIFIED.
5. ALL EXTERNAL DIMENSIONS AFFECTED BY THE DRAFT APPLY AT THE LARGE END OF THE FEATURE, AND ALL INTERNAL FEATURES AFFECTED BY THE DRAFT APPLY AT THE SMALL END OF THE FEATURE UNLESS OTHERWISE SPECIFIED.
6. 1 DEGREE DRAFT IN THE DIRECTION OF PULL IS PERMISSIBLE UNLESS OTHERWISE SPECIFIED.
7. MATERIAL / COLOR: ABS PLASTIC IS STANDARD IN BLACK OR WHITE. CUSTOM MATERIALS AND COLORS ARE AVAILABLE UPON REQUEST FOR QUOTE.
8. PCB SIZES ARE RECOMMENDATIONS ONLY. FINAL SIZES AND VERIFICATION OF IT'S FIT ARE THE SOLE RESPONSIBILITY OF EACH OWNER.
9. ASSEMBLY SCREWS FOR THE ENCLOSURE INCLUDED.
10. THIS DRAWING IS BASED ON A SOLID MODEL, AND IS FURTHER DEFINED BY THE SOLID MODEL FILE.
11. ALLOWABLE FLASH: 0.010 MAX.
12. ALL EJECTOR PIN MARKS TO BE WITHIN 0.010" OF FLUSH, PROTRUDING OR BELOW FLUSH.
13. TRIM GATE WITHIN 0.030" OF FLUSH.

R E V I S I O N					
REV.	DRAWN BY	ECO No	DESCRIPTION	DATE	APPROVED
A	R CRUZ	DR XXX	PRELIMINARY RELEASE	2015-May-18	D.C.
B	R CRUZ		UPDATE NOTE 2, PART NAME, PCB SHAPE	2015-Jun-23	D.C.
C	M BOYER		REVISE SIZE AND DRAWING FORMAT	2015-Oct-27	D.C.
D	R CRUZ		ADD RIBS TO BASE, INCREASE ASSY POST ID & OD	2015-Dec-15	



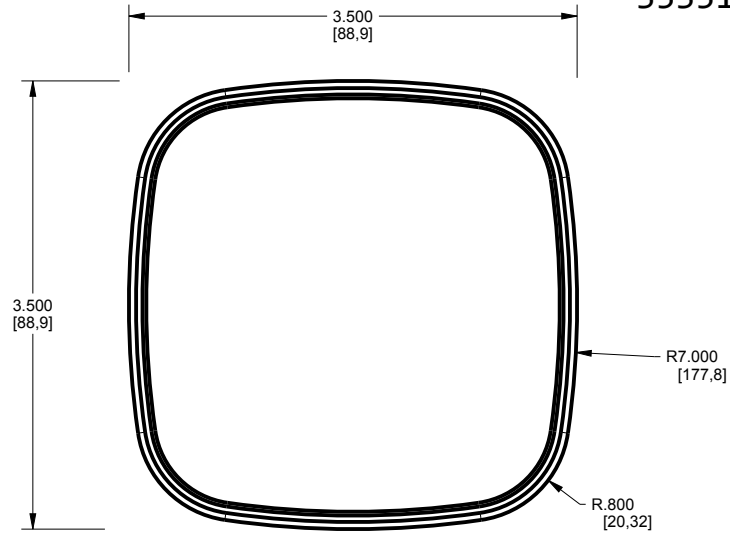
SCALE 0.500



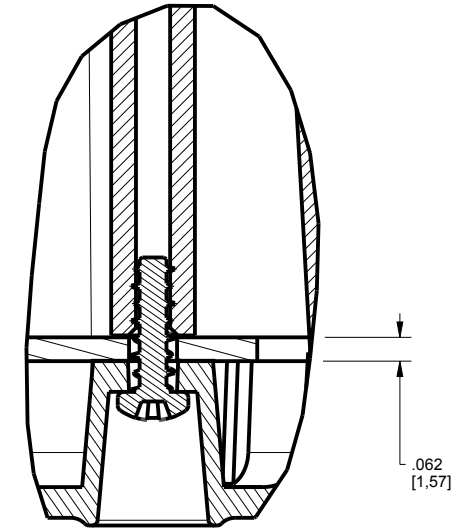
THIRD ANGLE PROJECTION  DO NOT SCALE DRAWING	TOLERANCES: UNLESS OTHERWISE SPECIFIED DIMENSIONS ARE IN U.S. INCHES. X.XX = .015 X.XXXX = .001 X.XXX = .010 X.X° = 1°		NEW AGE ENCLOSURES 4330 Santa Fe Road San Luis Obispo, CA. 93401 ph. (805) 595-1310 fax (805) 595-1024 www.newageenclosures.com	
	Customer's Part No: 353515			
APPROVAL BY DATE		SCALE AS NOTED		MEDIUM HUB - STANDARD SXX-353515-XXX
CHECK ENG.		DRAWN BY R CRUZ 2015-May-18		
BILL OF MATERIALS		DRAWING NAME 353515_RD		REV.DOC D

ITEM	FILE NAME	DESCRIPTION	MATERIAL	COLOR	QTY.
4	353515_PCB	353515 PCB - REFERENCE	.062" THICK	CUSTOMER SUPPLIED	1
3	353515_COVER	353515 COVER - STANDARD	ABS	BLACK or WHITE	1
2	353515_BASE	353515 BASE - STANDARD	ABS	BLACK or WHITE	1
1	SCREW_HILO-N04X375	#4 HiLo x .375" SCREW	ZINK PLATED	3/8" LONG	4

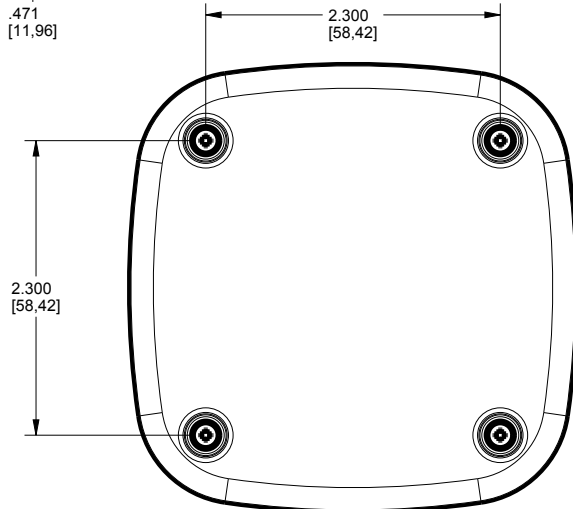
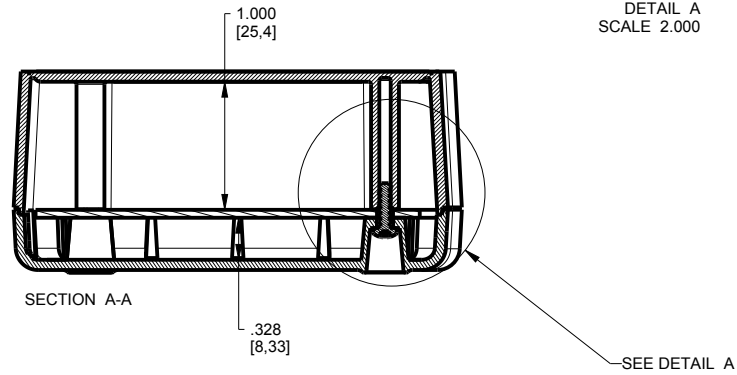
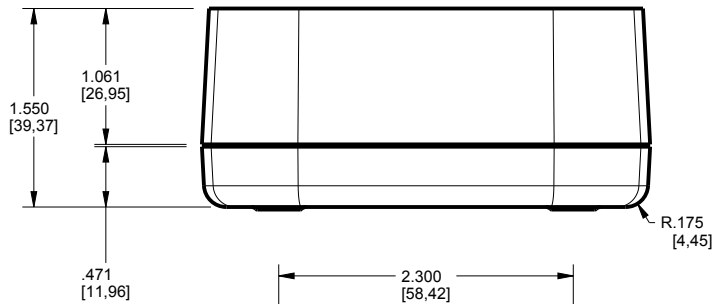
353515 ASSEMBLY



SCALE 0.667



DETAIL A
SCALE 2.000



TOLERANCES: UNLESS OTHERWISE SPECIFIED
DIMENSIONS ARE IN U.S. INCHES.
X.XX = .015 X.XXXX = .001
X.XXX = .010 X.X° = 1°

NEW AGE ENCLOSURES

Customer's Part No: 353515

APPROVAL BY DATE

CHECK

ENG.

SCALE AS NOTED

DRAWN BY R CRUZ 2015-May-18

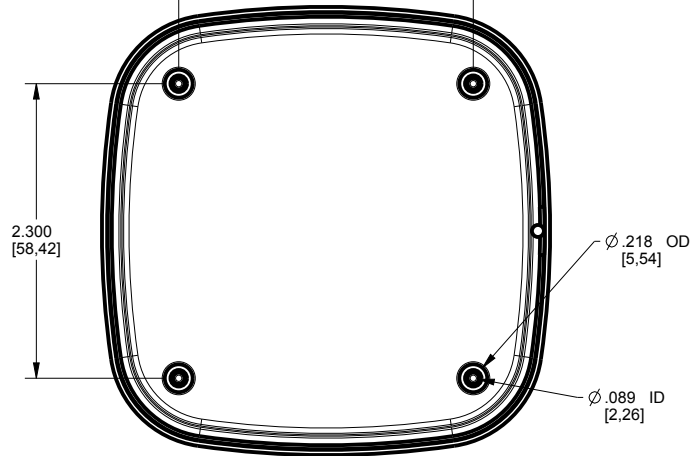
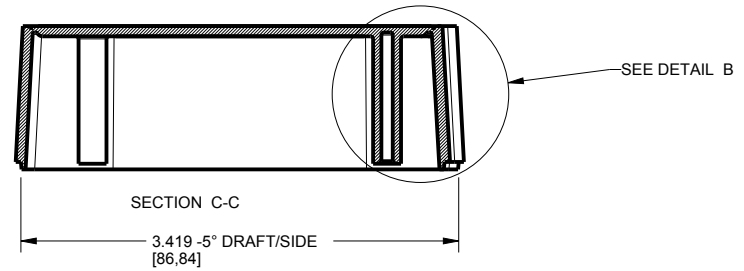
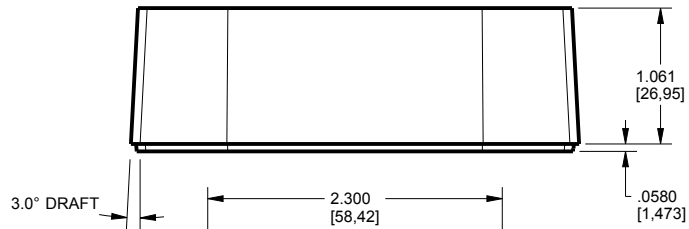
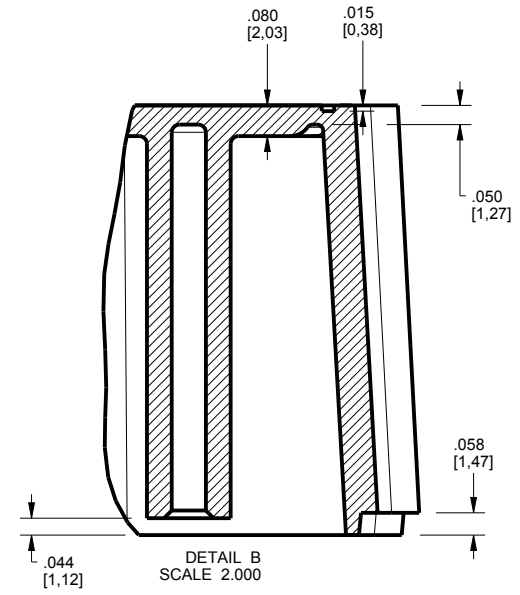
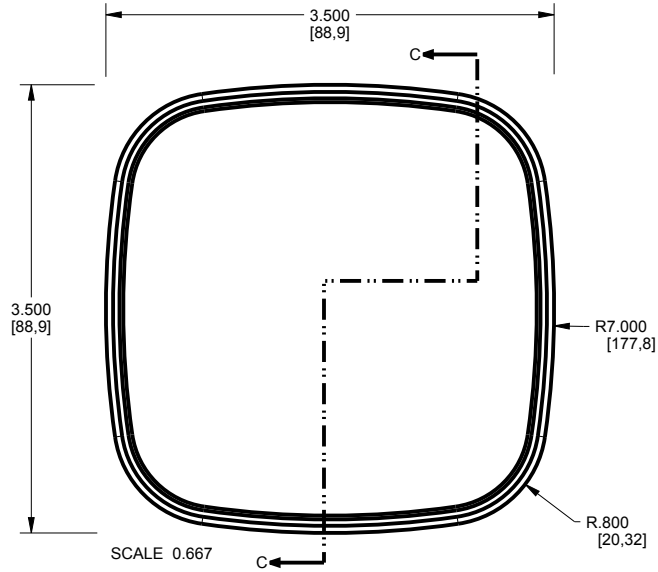
NEW AGE ENCLOSURES

4330 Santa Fe Road San Luis Obispo, CA. 93401
ph. (805) 595-1310 fax (805) 595-1024
www.newageenclosures.com

MEDIUM HUB - STANDARD
SXX-353515-XXX

SIZE A DRAWING NAME 353515_RD SHEET 2 OF 6 REV.DOC D

353515 COVER



TOLERANCES: UNLESS OTHERWISE SPECIFIED
DIMENSIONS ARE IN U.S. INCHES.
X.XX = .015 X.XXXX = .001
X.XXX = .010 X.X° = 1°

NEW AGE ENCLOSURES
Customer's Part No: 353515

APPROVAL BY DATE

CHECK

ENG.

SCALE AS NOTED

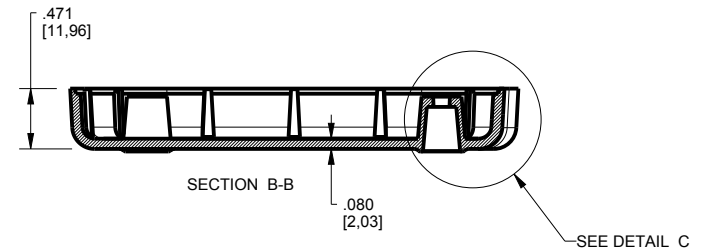
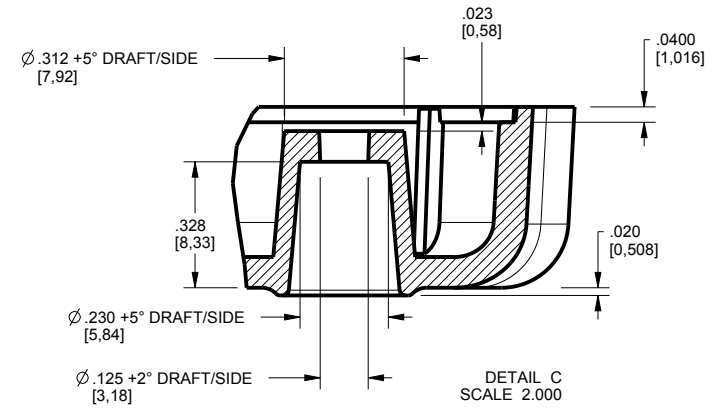
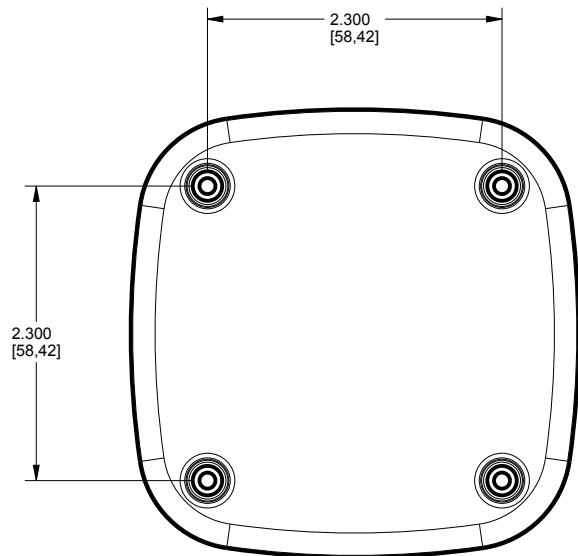
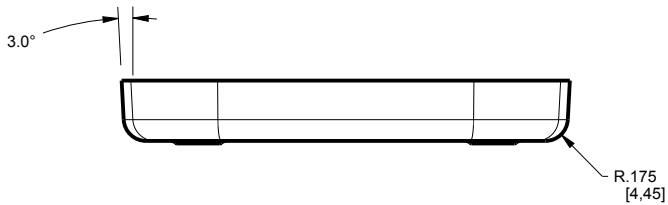
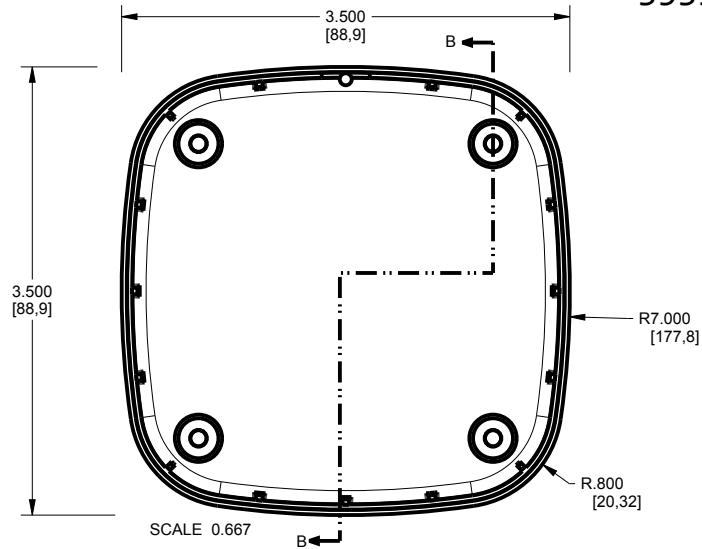
DRAWN BY R CRUZ 2015-May-18

NEW AGE ENCLOSURES
4330 Santa Fe Road San Luis Obispo, CA. 93401
ph. (805) 595-1310 fax (805) 595-1024
www.newageenclosures.com

MEDIUM HUB - STANDARD
SXX-353515-XXX

SIZE A DRAWING NAME 353515_RD SHEET 3 OF 6 REV.DOC D

353515 BASE



TOLERANCES - UNLESS OTHERWISE SPECIFIED
DIMENSIONS ARE IN U.S. INCHES.

X.XX = .015 X.XXXX = .001
X.XXX = .010 X.X° = 1°

NEW AGE ENCLOSURES

Customer's Part No: 353515

APPROVAL	BY	DATE
CHECK		
ENG.		
SCALE	AS NOTED	
DRAWN BY	2015-May-18	
R CRUZ		

NEW AGE ENCLOSURES

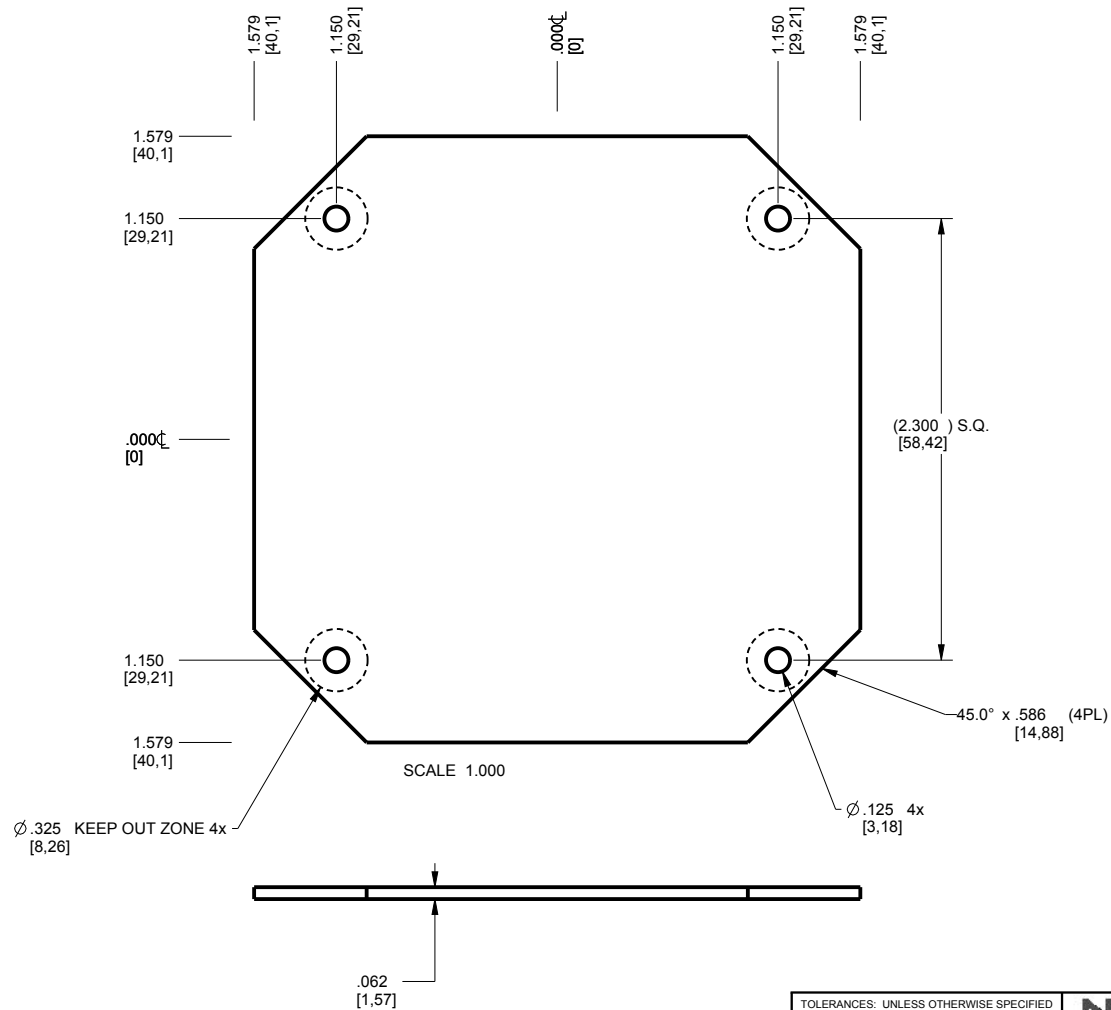
4330 Santa Fe Road San Luis Obispo, CA. 93401
ph. (805) 595-1310 fax (805) 595-1024
www.newageenclosures.com

**MEDIUM HUB - STANDARD
SXX-353515-XXX**

SIZE	DRAWING NAME	SHEET	REV.DOC
A	353515_RD	4 OF 6	D

353515 PCB - CUSTOMER SUPPLIED

PCB SIZES/SHAPE ARE RECOMMENDATIONS ONLY. ALTERNATE PCB DESIGNS ARE COMPATIBLE BUT MUST FIT INSIDE ENVELOPE DIMENSIONS AND MAINTAIN MOUNTING HOLE LOCATION AND SIZE. FINAL SIZES AND VERIFICATION OF ITS FIT ARE THE SOLE RESPONSIBILITY OF THE CUSTOMER.



TOLERANCES: UNLESS OTHERWISE SPECIFIED
DIMENSIONS ARE IN U.S. INCHES.
X.XX = .015 X.XXXX = .001
X.XXX = .010 X.X° = 1°

NEW AGE ENCLOSURES

Customer's Part No: 353515

APPROVAL BY DATE

CHECK

ENG.

SCALE AS NOTED

DRAWN BY R CRUZ 2015-May-18

NEW AGE ENCLOSURES

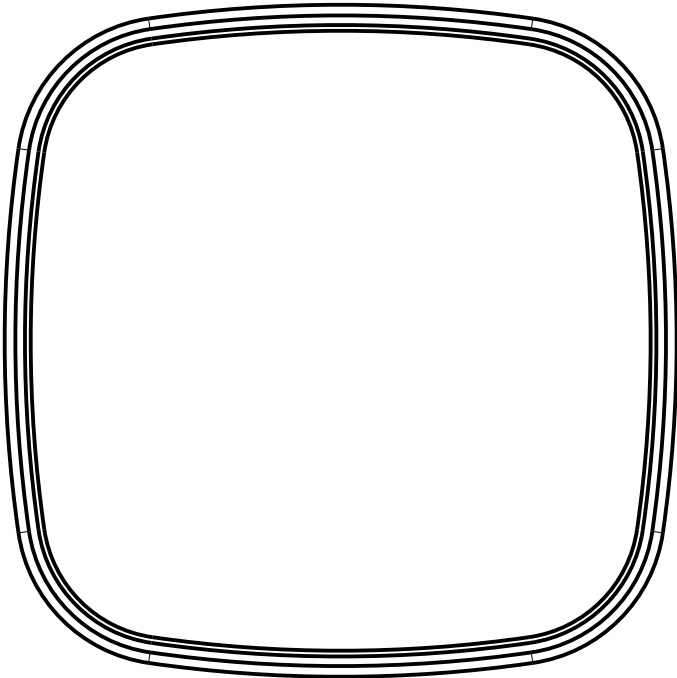
4330 Santa Fe Road San Luis Obispo, CA. 93401
ph. (805) 595-1310 fax (805) 595-1024
www.newageenclosures.com

**MEDIUM HUB - STANDARD
SXX-353515-XXX**

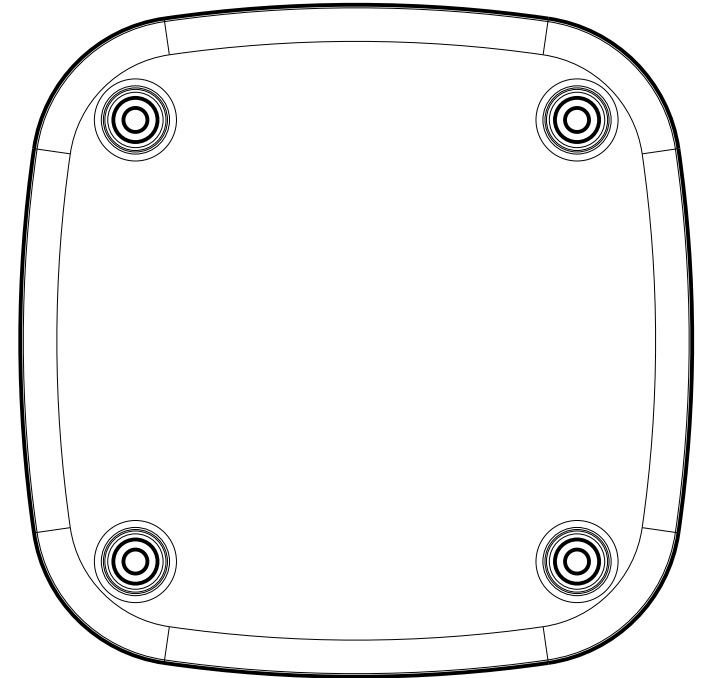
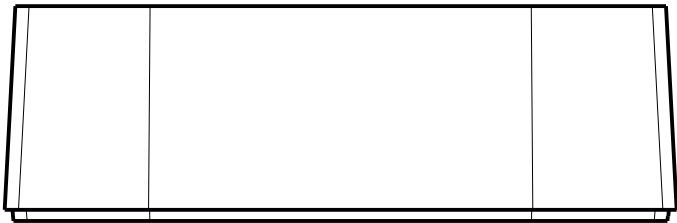
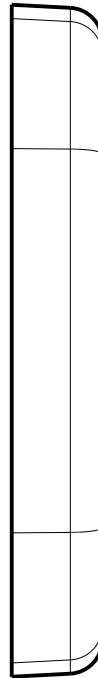
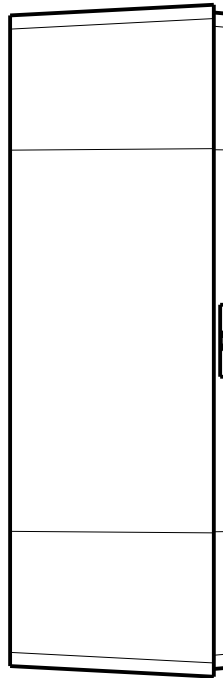
SIZE A	DRAWING NAME 353515_RD	SHEET 5 OF 6	REV.DOC D
--------	------------------------	--------------	-----------

2nd OPERATION DETAILS

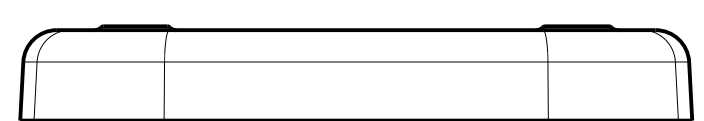
NEW AGE ENCLOSURES DELIVERS YOUR ENCLOSURE MARKET-READY WITH IN-HOUSE
CNC MACHINING, PAD PRINTING, ASSEMBLY, AND FULFILLMENT.
ALL SURFACES AND AREAS ARE AVAILABLE FOR CNC ALTERATION BY NEW AGE ENCLOSURES
CALL (805) 595-1310 FOR PRICING AND SCHEDULE.
THE INSIDE RADIUS OF ANY MACHINED FEATURES SHOULD BE NO SMALLER THAN .031"



353515 COVER
SCALE 1.000



353515 BASE
SCALE 1.000



Sxx-353515-xxx COVER - ABS, BLACK

STEP NO	DESCRIPTION	CUTTER	FIXTURE	ORIENTATION	PROGRAM
1-C-C1	-	T2 = .062" EM	-	-	o1000
2-C-C2	-	T2 = .062" EM	-	-	o1000

Sxx-353515-xxx COVER - ABS, BLACK

STEP NO	DESCRIPTION	INK COLOR	CLICHE DESCRIPTION	CLICHE No.
3-C-P1	PAD PRINT	BLACK	-	CLXXXX R1

TOLERANCES: UNLESS OTHERWISE SPECIFIED
DIMENSIONS ARE IN U.S. INCHES.
X.XX = .015 X.XXXX = .001
X.XXX = .010 XX° = 1°

NEW AGE ENCLOSURES
Customer's Part No: 353515

APPROVAL	BY DATE
CHECK	
ENG.	
SCALE	AS NOTED
DRAWN BY	2015-May-18
R CRUZ	

NEW AGE ENCLOSURES

4330 Santa Fe Road San Luis Obispo, CA. 93401
ph. (805) 595-1310 fax (805) 595-1024
www.newageenclosures.com

MEDIUM HUB - STANDARD SXX-353515-XXX		SIZE	DRAWING NAME	SHEET	REV.DOC
		A	353515_RD	6 OF 6	D