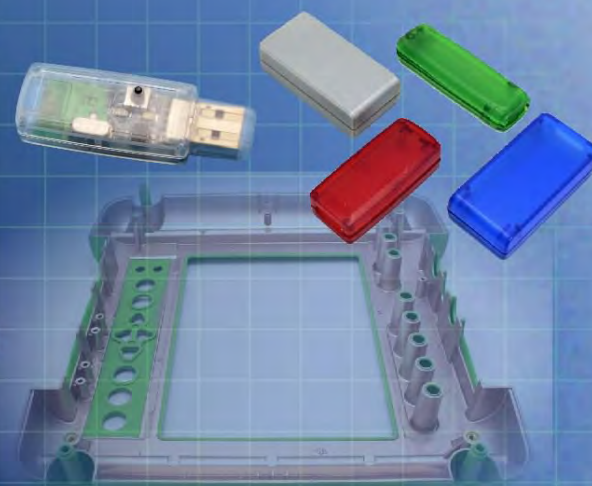




Ordering a market-ready enclosure® is made fast and affordable with our complete in-house capabilities. New Age provides machined openings to fit your PCB, pad printing for your graphics, custom enclosures, custom colors, final assembly, testing and fulfillment services to save you additional time and money. Ask your representative for a free quote today 805-595-1310.

## ***Fast and Affordable Customization***

**CNC Modifications  
Pad Printing  
Colored Resins  
EMI/RF Shielding  
Custom Enclosure  
Assembly & Testing**



ISO quality  
off-the-shelf  
to market-ready®

# **NEW AGE ENCLOSURES**

[www.NewAgeEnclosures.com](http://www.NewAgeEnclosures.com)

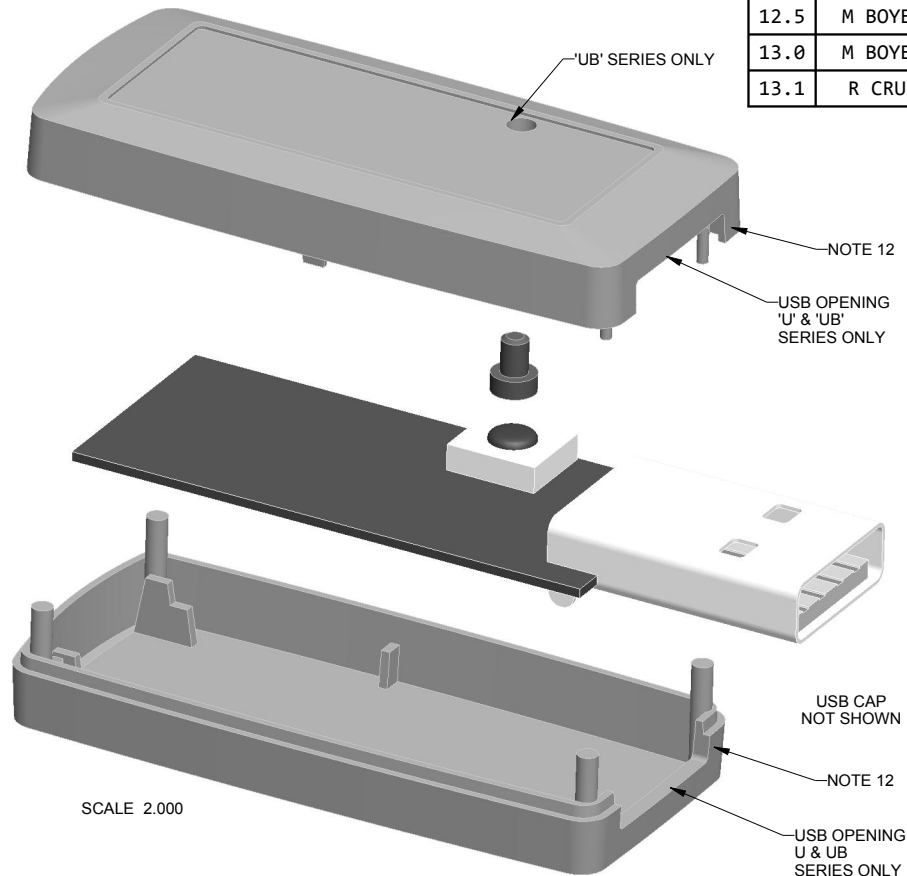
4330 Santa Fe Road • San Luis Obispo, CA 93401 • T 805.595.1310 • F 805.595.1024



P180804(x) CONFIGURATIONS							
	-S	-U	-UB	-UBC	-UBB	-B	-C
P180804 COVER	1						
P180804 COVER w/USB OPENING		1					
P180804 COVER w/USB & BUTTON HOLE			1	1			
P180804 BASE	1						
P180804 BASE w/USB		1	1		1		
P180804 BUTTON						1	
P210603 CAP							1

## R E V I S I O N

REV.	DRAWN BY	ECO No	DESCRIPTION	DATE	APPROVED
1	M BOYER		PRELIMINARY RELEASE	04-May-05	D.C.
			REVISIONS 2-11 ARCHIVED ON REV 12.1		
12	M BOYER	3909	REDUCE ALIGNMENT POST HEIGHT BY .025"	28-Oct-09	D.C.
12.1	M BOYER	0710	UPDATE FORMAT	19-Mar-10	D.C.
12.2	M BOYER	0810	INCLUDE GATE DETAIL INFORMATION	08-Apr-10	D.C.
12.3	M BOYER	1810	UPDATE CONFIGURATION TREE - INCLUDE BUTTON	14-Jun-10	D.C.
12.4	M BOYER	2711	UPDATE ASSY POST DIA TO "PRESS FIT"	25-Jul-11	D.C.
12.5	M BOYER	3611	ADD NOTE RE ASSEMBLY POSTS	21-Oct-11	D.C.
13.0	M BOYER	8413	UPDATE TO AS BUILT - DIR 0274	07-Jan-14	D.C.
13.1	R CRUZ	4514	ADD PCB RIB NOTE FOR COVER	17-Oct-14	



**NOTES: UNLESS OTHERWISE SPECIFIED**

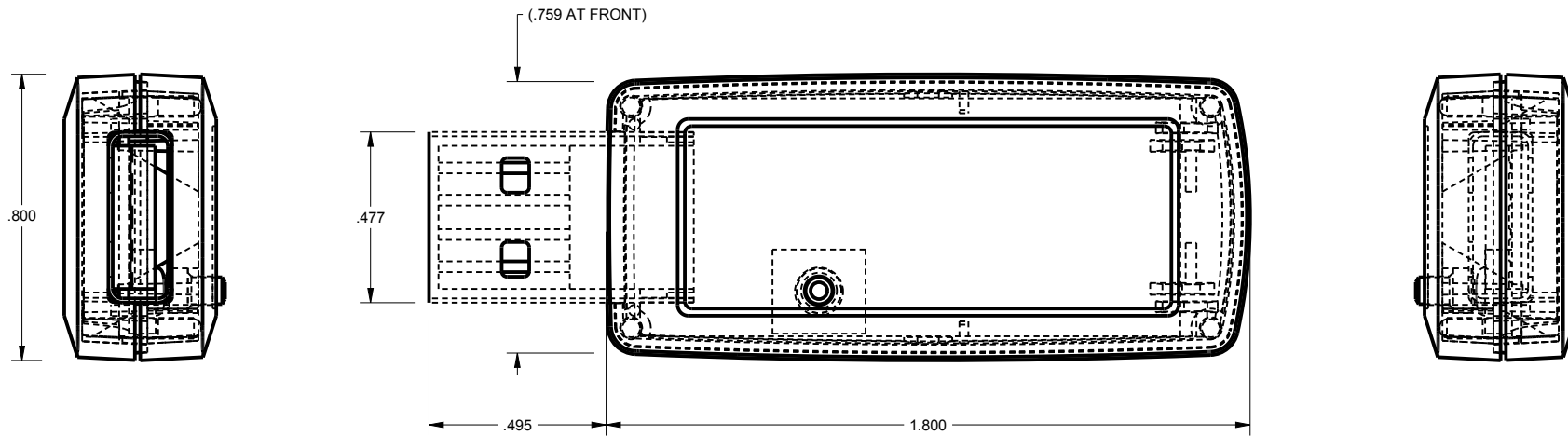
- CORNERS DRAWN SHARP TO BE R.005 MAXIMUM.
- EXTERIOR SURFACE TEXTURE TO BE LIGHT EDM FINISH (EQUIVALENT TO MT-11010.)
- INTERIOR SURFACE TEXTURE TO BE: NONE
- ALL INSIDE RADII .010R. UNLESS OTHERWISE SPECIFIED.
- ALL EXTERNAL DIMENSIONS AFFECTED BY THE DRAFT APPLY AT THE LARGE END OF THE FEATURE, AND ALL INTERNAL FEATURES AFFECTED BY THE DRAFT APPLY AT THE SMALL END OF THE FEATURE UNLESS OTHERWISE SPECIFIED.
- 1 DEGREE DRAFT IN THE DIRECTION OF PULL IS PERMISSIBLE UNLESS OTHERWISE SPECIFIED.
- THIS ENCLOSURE IS A PRESS FIT ASSEMBLY. FOR PERMANENT CLOSURE: A DROP ADHESIVE OR ULTRASONIC WELDING IS REQUIRED.
- MATERIAL / COLOR: ABS PLASTIC IS STANDARD IN BLACK OR WHITE. CUSTOM MATERIALS AND COLORS ARE AVAILABLE UPON REQUEST FOR QUOTE.
- PCB SIZES ARE RECOMMENDATIONS ONLY. FINAL SIZES AND VERIFICATION OF ITS FIT ARE THE SOLE RESPONSIBILITY OF EACH CUSTOMER.
- STANDARD OR CUSTOM LABEL RECESSES ARE AVAILABLE FOR QUOTE.
- "STANDARD" VERSION ENCLOSURE COVER NOT AVAILABLE WITH RIBS. SEE SHEET 4 FOR DETAILS.
- THE GATE REMNANT FOR THIS ENCLOSURE IS LOCATED IN THIS POSITION TO MINIMIZE ANY COSMETIC IMPACT. IT IS HOWEVER VISIBLE AND VARIES IN SIZE / SHAPE. IT IS EASILY REMOVED WITH CLIPPERS. IF YOU WOULD LIKE NEW AGE TO CLIP THIS FOR YOU, PLEASE ASK YOUR SALES REPRESENTATIVE FOR A FREE QUOTE.
- ASSEMBLY POST DIMENSIONS WILL VARY DEPENDING ON THE "PRESS FIT" OF THE ENCLOSURE.

ITEM	DESCRIPTION	MATERIAL	COLOR	QTY.
5	180804 PCB - REFERENCE	.028" THICK	CUSTOMER SUPPLIED	1
4	180804UB COVER - STANDARD	ABS	BLACK or WHITE	1
3	180804UB BASE - STANDARD	ABS	BLACK or WHITE	1
2	210603 CAP	SOLD SEPERATE	--	1
1	180804 BUTTON	SOLD SEPERATE	--	1

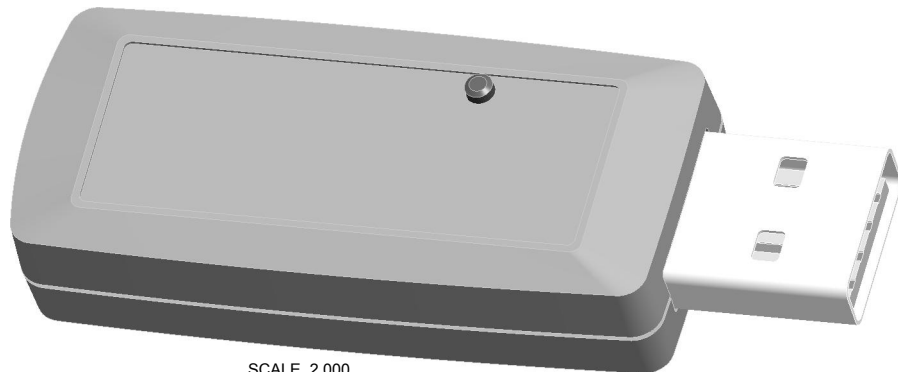
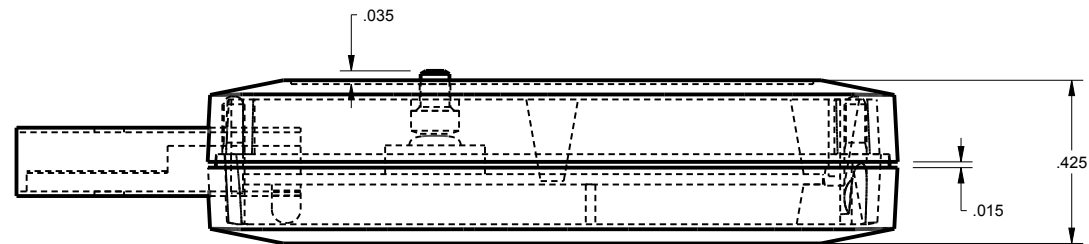
**BILL OF MATERIALS**

<p>THIRD ANGLE PROJECTION</p> <p>DO NOT SCALE DRAWING</p>	<p>TOLERANCES: UNLESS OTHERWISE SPECIFIED DIMENSIONS ARE IN U.S. INCHES.</p> <p>X.XX = .015 X.XXXX = .001 X.XXX = .010 X.X" = 1"</p> <p style="text-align: center;"><b>NEW AGE ENCLOSURES</b></p> <p style="text-align: center;">Customer's Part No: 180804</p> <table border="1" style="width: 100%; border-collapse: collapse;"> <tr> <td>APPROVAL</td> <td>BY</td> <td>DATE</td> </tr> <tr> <td>CHECK</td> <td></td> <td></td> </tr> <tr> <td>ENG.</td> <td></td> <td></td> </tr> <tr> <td>SCALE</td> <td colspan="2" style="text-align: center;">AS NOTED</td> </tr> <tr> <td>DRAWN BY</td> <td colspan="2" style="text-align: center;">04-May-05</td> </tr> <tr> <td>M BOYER</td> <td colspan="2"></td> </tr> </table>	APPROVAL	BY	DATE	CHECK			ENG.			SCALE	AS NOTED		DRAWN BY	04-May-05		M BOYER			<div style="text-align: center;"> <p><b>NEW AGE ENCLOSURES</b></p> <p>4330 Santa Fe Road San Luis Obispo, CA. 93401 ph. (805) 595-1310 fax (805) 595-1024</p> <p><a href="http://www.newageenclosures.com">www.newageenclosures.com</a></p> <p style="font-size: 1.2em;"><b>STANDARD - USB DRIVE</b></p> <p style="font-size: 1.2em;"><b>PXX-180804XX-XXX</b></p> </div> <table border="1" style="width: 100%; border-collapse: collapse;"> <tr> <td style="width: 10%;">SIZE</td> <td style="width: 40%;">DRAWING NAME</td> <td style="width: 15%;">SHEET</td> <td style="width: 35%;">REV.DOC</td> </tr> <tr> <td style="text-align: center;">A</td> <td style="text-align: center;">180804_R13_1</td> <td style="text-align: center;">1 OF 8</td> <td style="text-align: center;">13.1</td> </tr> </table>	SIZE	DRAWING NAME	SHEET	REV.DOC	A	180804_R13_1	1 OF 8	13.1
APPROVAL	BY	DATE																										
CHECK																												
ENG.																												
SCALE	AS NOTED																											
DRAWN BY	04-May-05																											
M BOYER																												
SIZE	DRAWING NAME	SHEET	REV.DOC																									
A	180804_R13_1	1 OF 8	13.1																									

NOTICE: THE INFORMATION AND DATA CONTAINED HEREIN IS CONSIDERED PROPRIETARY TO ALLTEC INTEGRATED MFG INC & SHALL REMAIN THE EXCLUSIVE PROPERTY OF ALLTEC INTEGRATED MFG INC. THE HOLDER WILL ASSUME CUSTODY AND CONTROL THAT THIS DOCUMENT WILL NOT BE COPIED, REPRODUCED, OR DISCLOSED WITHOUT THE EXPRESS WRITTEN CONSENT OF ALLTEC INTEGRATED MFG INC. POSSESSION OF THIS DOCUMENT DOES NOT CONSTITUTE A GRANT TO MANUFACTURE ANY ITEMS. © 2014



SCALE 2.000



SCALE 2.000

TOLERANCES: UNLESS OTHERWISE SPECIFIED  
DIMENSIONS ARE IN U.S. INCHES.  
X.XX = .015 X.XXXX = .001  
X.XXX = .010 X.X° = 1°

NEW AGE ENCLOSURES

Customer's Part No: 180804

APPROVAL	BY	DATE
CHECK		
ENG.		
SCALE	AS NOTED	

DRAWN BY  
M BOYER 04-May-05

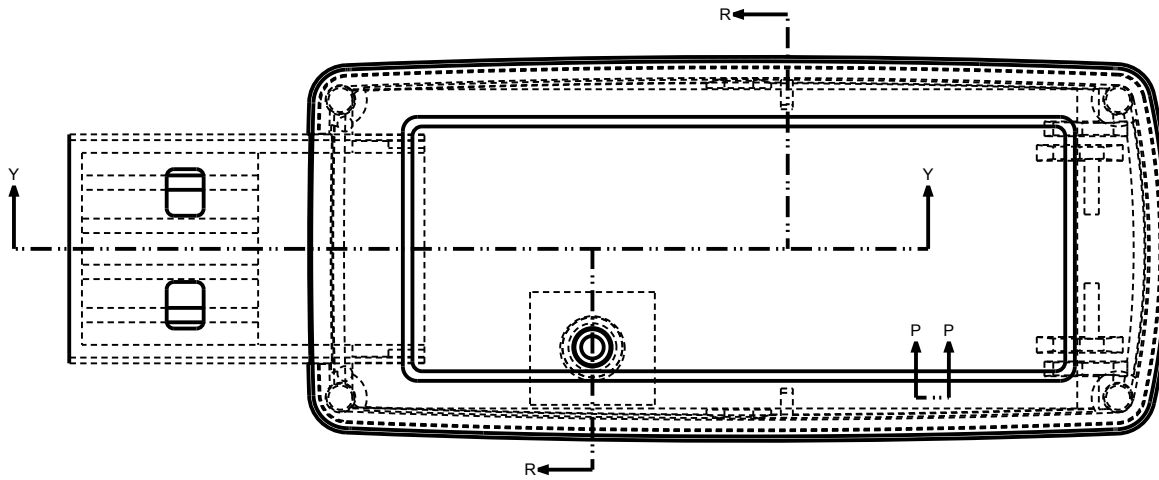
**NEW AGE ENCLOSURES**

4330 Santa Fe Road San Luis Obispo, CA. 93401  
ph. (805) 595-1310 fax (805) 595-1024  
[www.newageenclosures.com](http://www.newageenclosures.com)

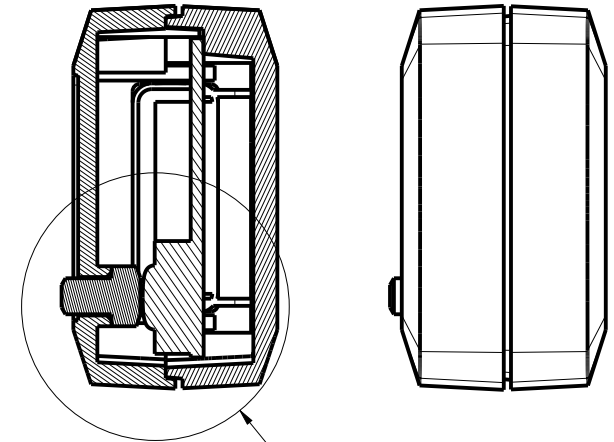
**STANDARD - USB DRIVE  
PXX-180804XX-XXX**

SIZE A DRAWING NAME 180804\_R13\_1

SHEET 2 OF 8 REV.DOC 13.1

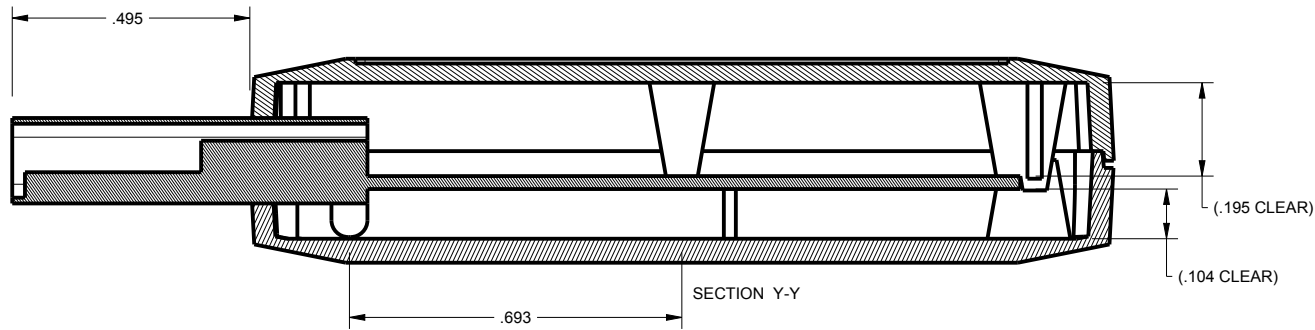


SCALE 2.500

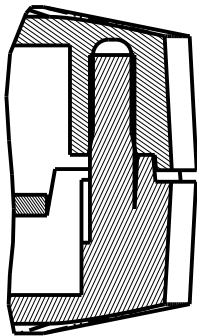


SECTION R-R

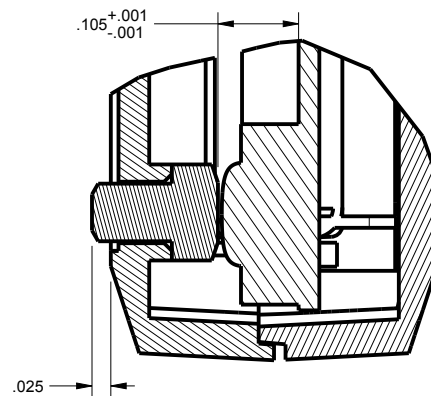
SEE DETAIL A



SECTION Y-Y



SECTION P-P  
SCALE 4.000



DETAIL A  
SCALE 4.000

TOLERANCES: UNLESS OTHERWISE SPECIFIED  
DIMENSIONS ARE IN U.S. INCHES.  
X.XX = .015 X.XXXX = .001  
X.XXX = .010 X.X° = 1°

NEW AGE ENCLOSURES

Customer's Part No: 180804

APPROVAL	BY	DATE
CHECK		
ENG.		
SCALE	AS NOTED	

DRAWN BY  
M BOYER

04-May-05

**NEW AGE ENCLOSURES**

4330 Santa Fe Road San Luis Obispo, CA. 93401  
ph. (805) 595-1310 fax (805) 595-1024  
[www.newageenclosures.com](http://www.newageenclosures.com)

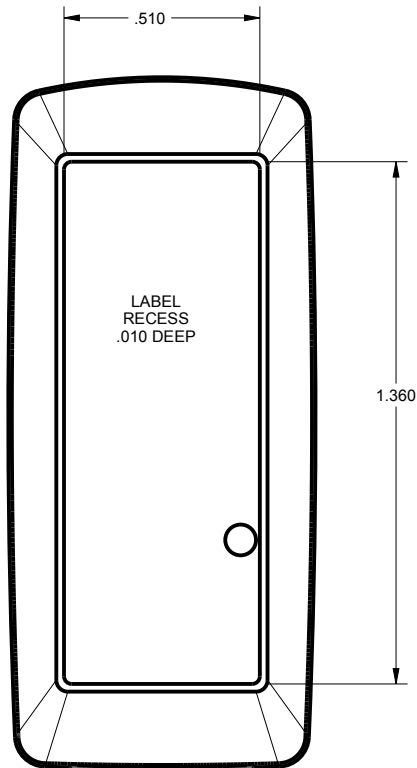
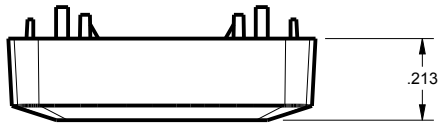
**STANDARD - USB DRIVE  
PXX-180804XX-XXX**

SIZE **A** DRAWING NAME  
180804\_R13\_1

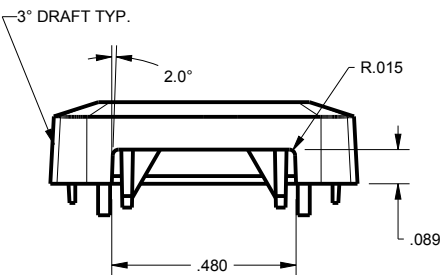
SHEET 3 OF 8 REV.DOC 13.1

# 180804 COVER

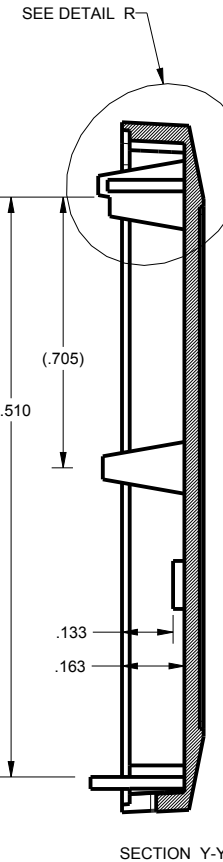
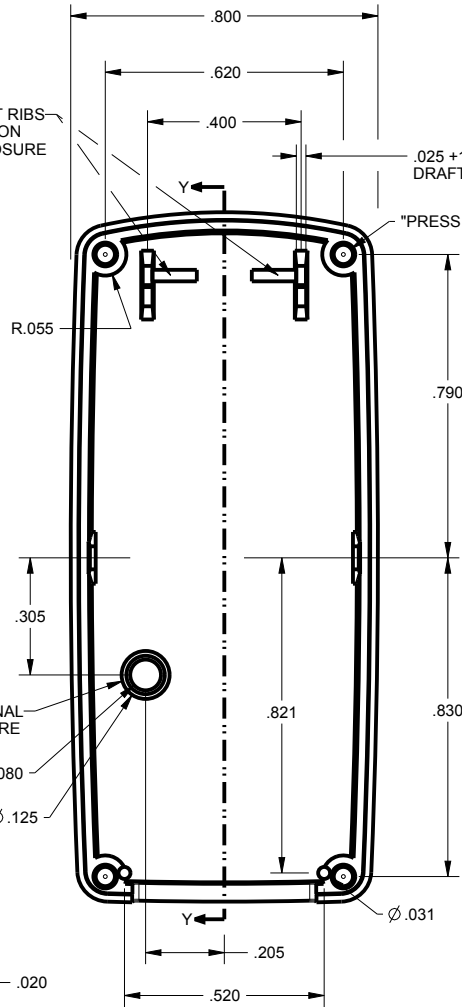
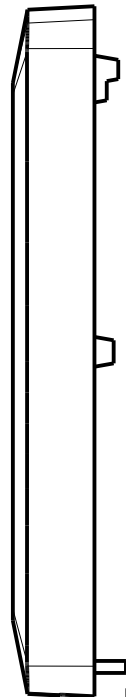
NOTE A: CONFIGURATION 180804(S) ONLY  
 1. END RIBS NOT INCLUDED  
 2. 1 DEGREE DRAFT ON SIDE RIB  
 3. ALIGNMENT POSTS .080" TALL



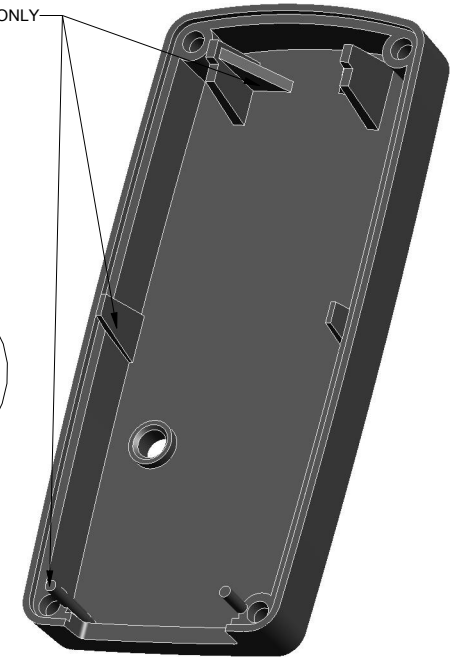
SCALE 2.000



INTERIOR SUPPORT RIBS  
 NOT AVAILABLE ON  
 "STANDARD" ENCLOSURE



SECTION Y-Y



SCALE 2.000



.032 FOR -S OPTION  
 .010 FOR -U/-UB OPTIONS

DETAIL R  
 SCALE 3.000

TOLERANCES: UNLESS OTHERWISE SPECIFIED  
 DIMENSIONS ARE IN U.S. INCHES.  
 X.XX = .015 X.XXXX = .001  
 X.XXX = .010 X.X° = 1°

NEW AGE ENCLOSURES

Customer's Part No: 180804

APPROVAL BY DATE

CHECK

ENG.

SCALE AS NOTED

DRAWN BY M BOYER 04-May-05

**NEW AGE ENCLOSURES**

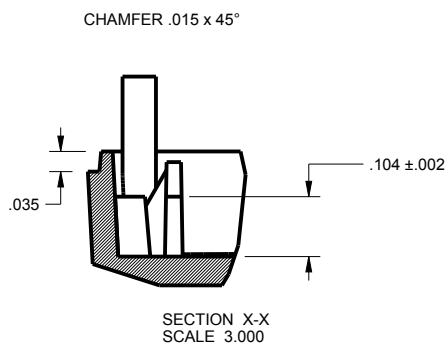
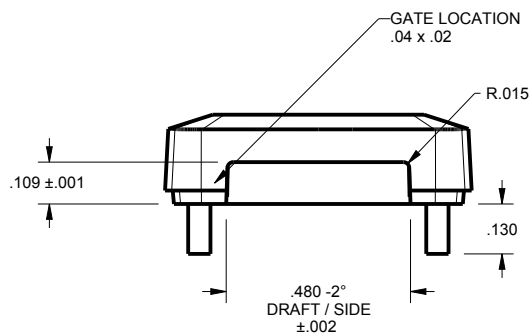
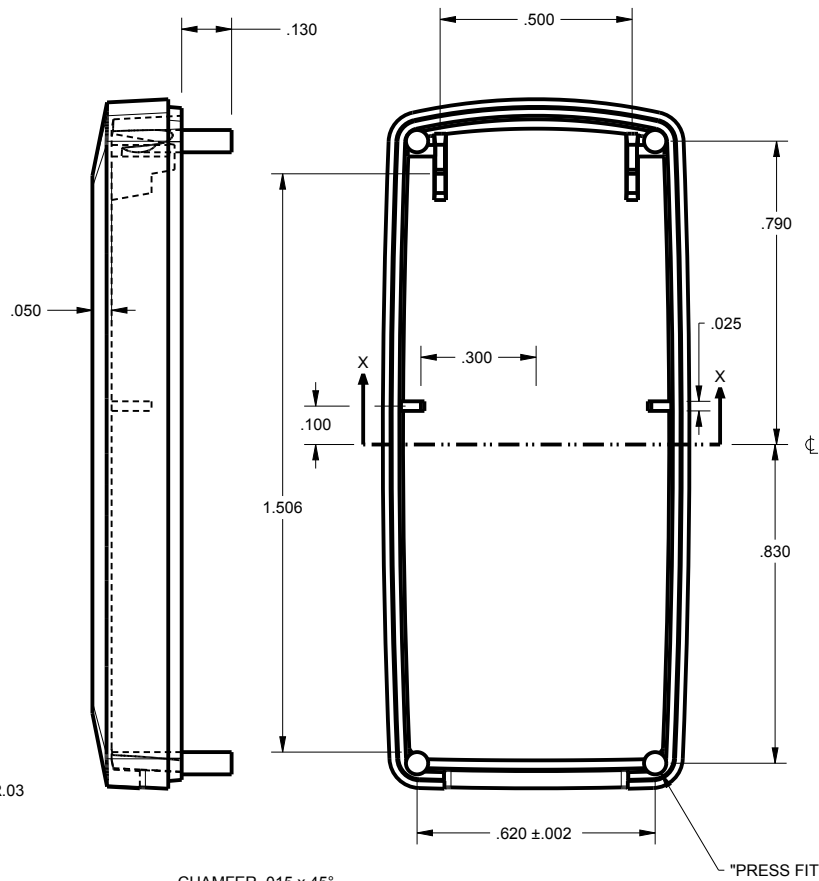
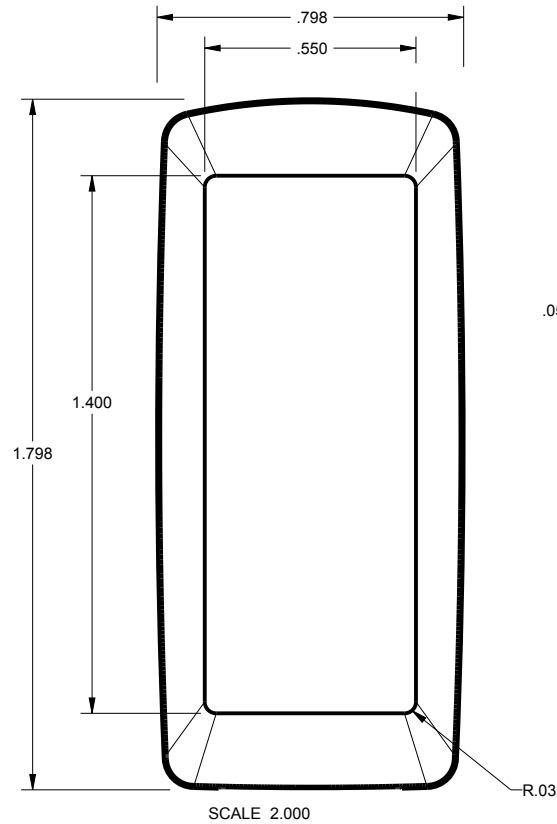
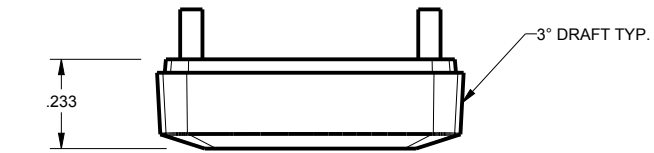
4330 Santa Fe Road San Luis Obispo, CA. 93401  
 ph. (805) 595-1310 fax (805) 595-1024  
[www.newageenclosures.com](http://www.newageenclosures.com)

**STANDARD - USB DRIVE  
 PXX-180804XX-XXX**

SIZE A DRAWING NAME 180804\_R13\_1

SHEET 4 OF 8 REV.DOC 13.1

# 180804 BASE



TOLERANCES: UNLESS OTHERWISE SPECIFIED  
DIMENSIONS ARE IN U.S. INCHES.  
X.XX = .015 X.XXXX = .001  
X.XXX = .010 X.X° = 1°

NEW AGE ENCLOSURES  
Customer's Part No: 180804

APPROVAL BY DATE

CHECK

ENG.

SCALE AS NOTED

DRAWN BY M BOYER 04-May-05

**NEW AGE ENCLOSURES**

4330 Santa Fe Road San Luis Obispo, CA. 93401  
ph. (805) 595-1310 fax (805) 595-1024  
[www.newageenclosures.com](http://www.newageenclosures.com)

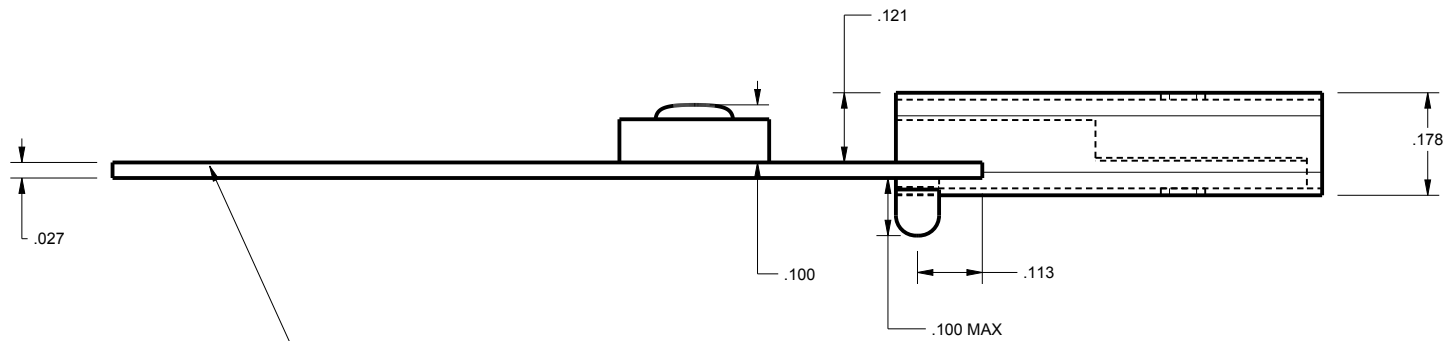
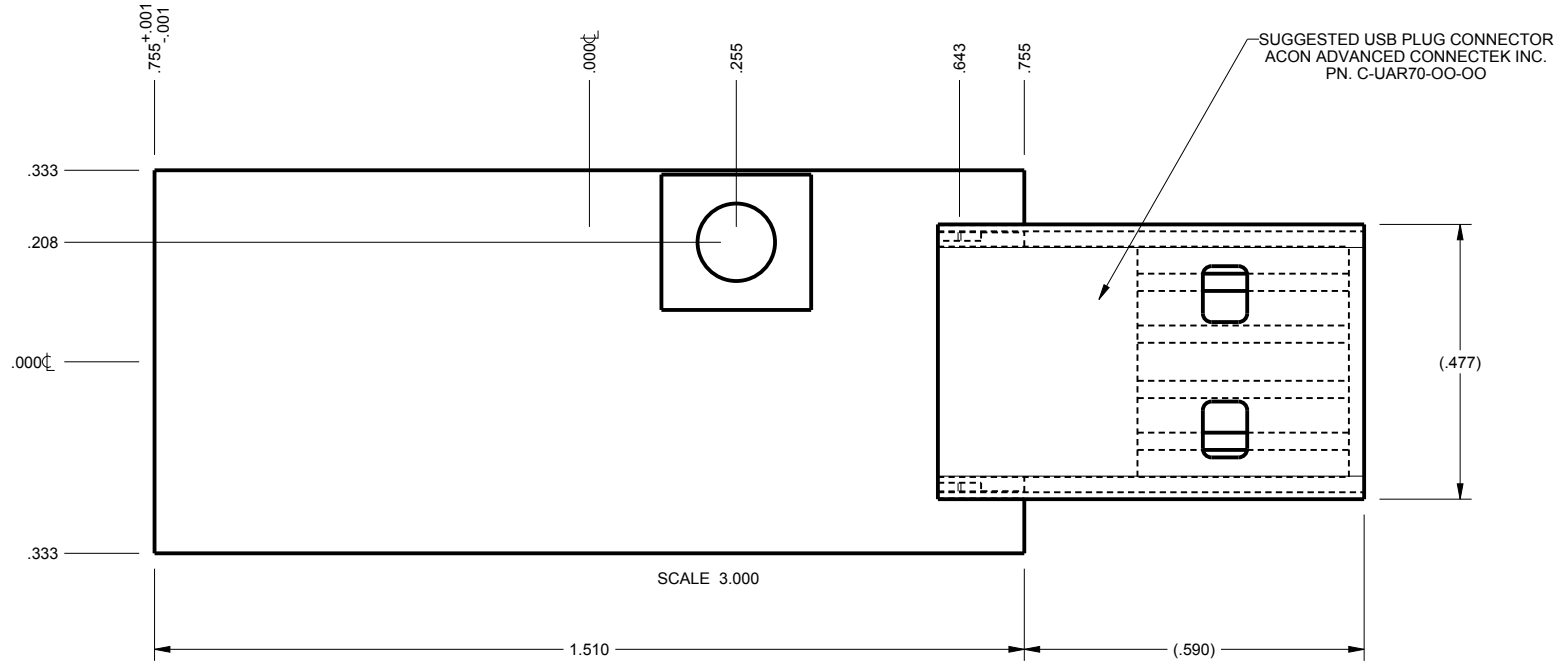
**STANDARD - USB DRIVE  
PXX-180804XX-XXX**

SIZE A DRAWING NAME 180804\_R13\_1

SHEET 5 OF 8 REV.DOC 13.1

# P180804 PCB - CUSTOMER SUPPLIED

PCB SIZES ARE RECOMMENDATIONS ONLY. FINAL SIZES AND VERIFICATION OF ITS FIT ARE THE SOLE RESPONSIBILITY OF THE CUSTOMER.



MODIFICATIONS TO THE ENCLOSURE CAN BE MADE TO ALLOW DIFFERENT BOARD THICKNESSES.

TOLERANCES: UNLESS OTHERWISE SPECIFIED DIMENSIONS ARE IN U.S. INCHES.

X.XX = .015 X.XXXX = .001  
X.XXX = .010 X.X° = 1°

NEW AGE ENCLOSURES

Customer's Part No: 180804

APPROVAL	BY	DATE
CHECK		
ENG.		
SCALE	AS NOTED	

DRAWN BY  
M BOYER 04-May-05

## NEW AGE ENCLOSURES

4330 Santa Fe Road San Luis Obispo, CA. 93401  
ph. (805) 595-1310 fax (805) 595-1024  
[www.newageenclosures.com](http://www.newageenclosures.com)

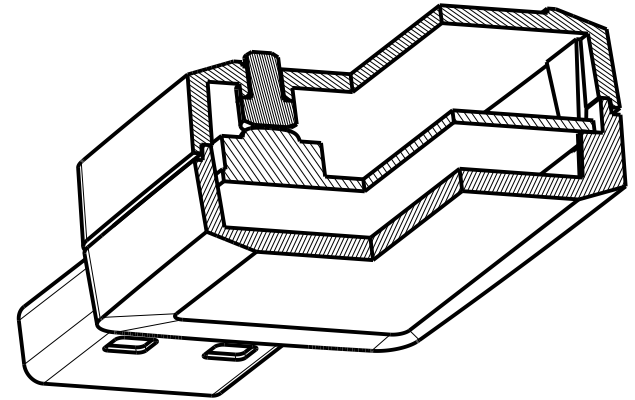
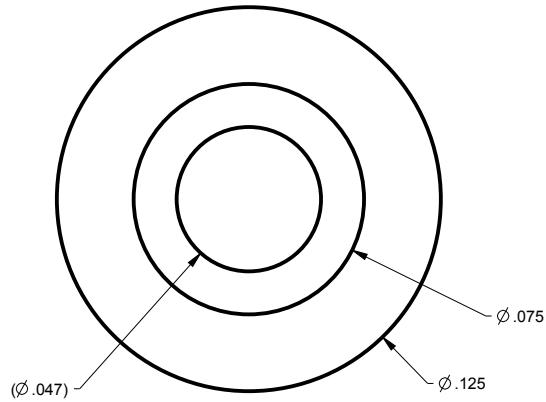
STANDARD - USB DRIVE  
PXX-180804XX-XXX

SIZE A DRAWING NAME 180804\_R13\_1

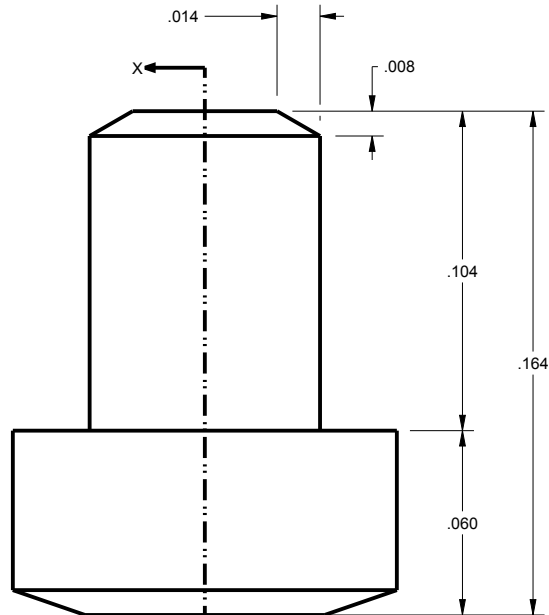
SHEET 6 OF 8 REV.DOC 13.1



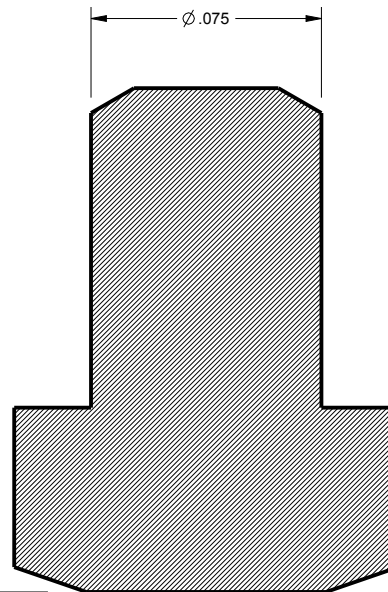
# OPTIONAL BUTTON



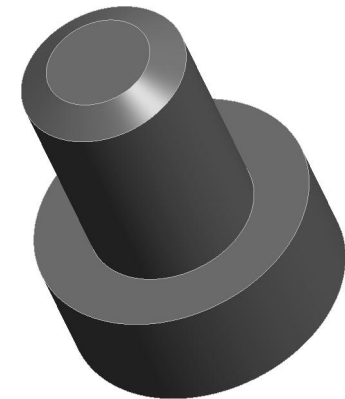
SECTION R-R  
SCALE 2.500



SCALE 16.000



SECTION X-X



SCALE 12.000

TOLERANCES: UNLESS OTHERWISE SPECIFIED  
DIMENSIONS ARE IN U.S. INCHES.  
X.XX = .015 X.XXXX = .001  
X.XXX = .010 X.X° = 1°

NEW AGE ENCLOSURES  
Customer's Part No: 180804

APPROVAL BY DATE

CHECK

ENG.

SCALE AS NOTED

DRAWN BY M BOYER 04-May-05

**NEW AGE ENCLOSURES**  
4330 Santa Fe Road San Luis Obispo, CA. 93401  
ph. (805) 595-1310 fax (805) 595-1024  
[www.newageenclosures.com](http://www.newageenclosures.com)

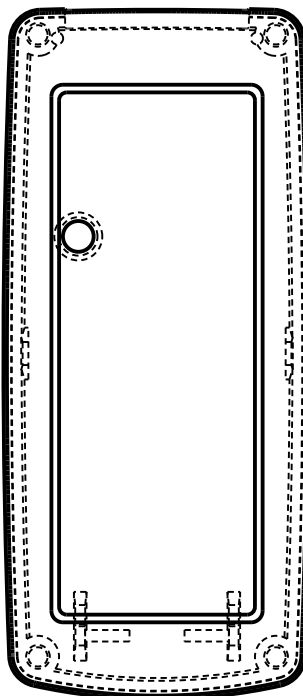
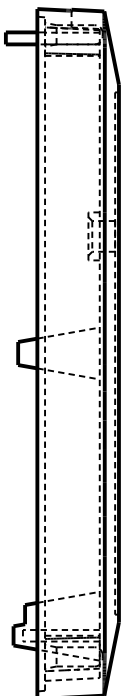
STANDARD - USB DRIVE  
PXX-180804XX-XXX

SIZE A DRAWING NAME 180804\_R13\_1

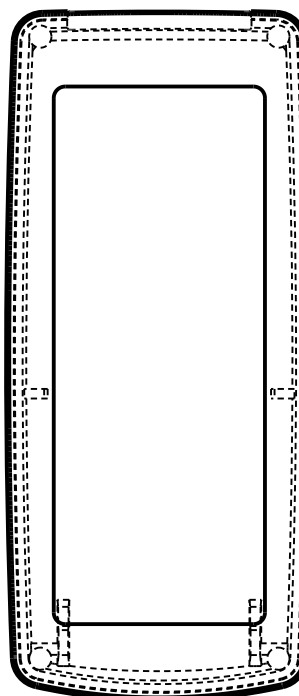
SHEET 7 OF 8 REV.DOC 13.1

## 2nd OPERATION DETAILS

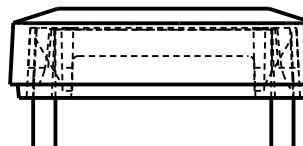
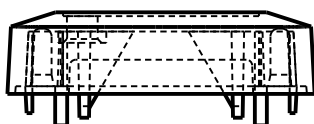
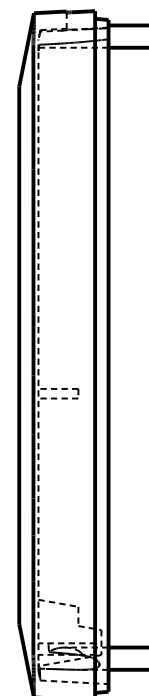
NEW AGE ENCLOSURES DELIVERS YOUR ENCLOSURE MARKET-READY WITH IN-HOUSE  
CNC MACHINING, PAD PRINTING, ASSEMBLY, AND FULFILLMENT.  
ALL SURFACES AND AREAS ARE AVAILABLE FOR CNC ALTERATION BY NEW AGE ENCLOSURES  
CALL (805) 595-1310 FOR PRICING AND SCHEDULE.  
THE INSIDE RADIUS OF ANY MACHINED FEATURES SHOULD BE NO SMALLER THAN .031"



P180804 COVER  
SCALE 2.000



P180804 BASE  
SCALE 2.000



### PXX-180804U-XXX COVER - ABS, BLACK

STEP NO	DESCRIPTION	CUTTER	FIXTURE	ORIENTATION	PROGRAM
1-C-C1		T2 = .062" EM	100	2 UP LR- CENTER XY	
2-C-C2		T2 = .062" EM	100		

### PXX-180804U-XXX BASE - ABS, BLACK

STEP NO	DESCRIPTION	CUTTER	FIXTURE	ORIENTATION	PROGRAM
3-B-C1		T2 = .062" EM	100	2 UP LR- CENTER XY	
4-B-C2		T2 = .062" EM	100		

TOLERANCES: UNLESS OTHERWISE SPECIFIED  
DIMENSIONS ARE IN U.S. INCHES.

X.XX = .015 X.XXXX = .001  
X.XXX = .010 X.X° = 1°

NEW AGE ENCLOSURES

Customer's Part No: 180804

APPROVAL	BY	DATE
CHECK		
ENG.		
SCALE	AS NOTED	
DRAWN BY		
M BOYER	04-May-05	

## NEW AGE ENCLOSURES

4330 Santa Fe Road San Luis Obispo, CA. 93401  
ph. (805) 595-1310 fax (805) 595-1024  
[www.newageenclosures.com](http://www.newageenclosures.com)

### STANDARD - USB DRIVE PXX-180804XX-XXX

SIZE	DRAWING NAME	SHEET	REV.DOC
A	180804_R13_1	8 OF 8	13.1