

INTERFACE D 600 SERIES 5/8" US THREADS TEE CONNECTOR (K)650LR or (K)650LR/G

Up to 24 kV □ 800 A

Application

Separable tee shape connector (bolted 5/8" type) designed to connect polymeric insulated cable to equipment (transformers, switchgear, motors).

Also connects cable to cable, when using the appropriate mating parts.

Design

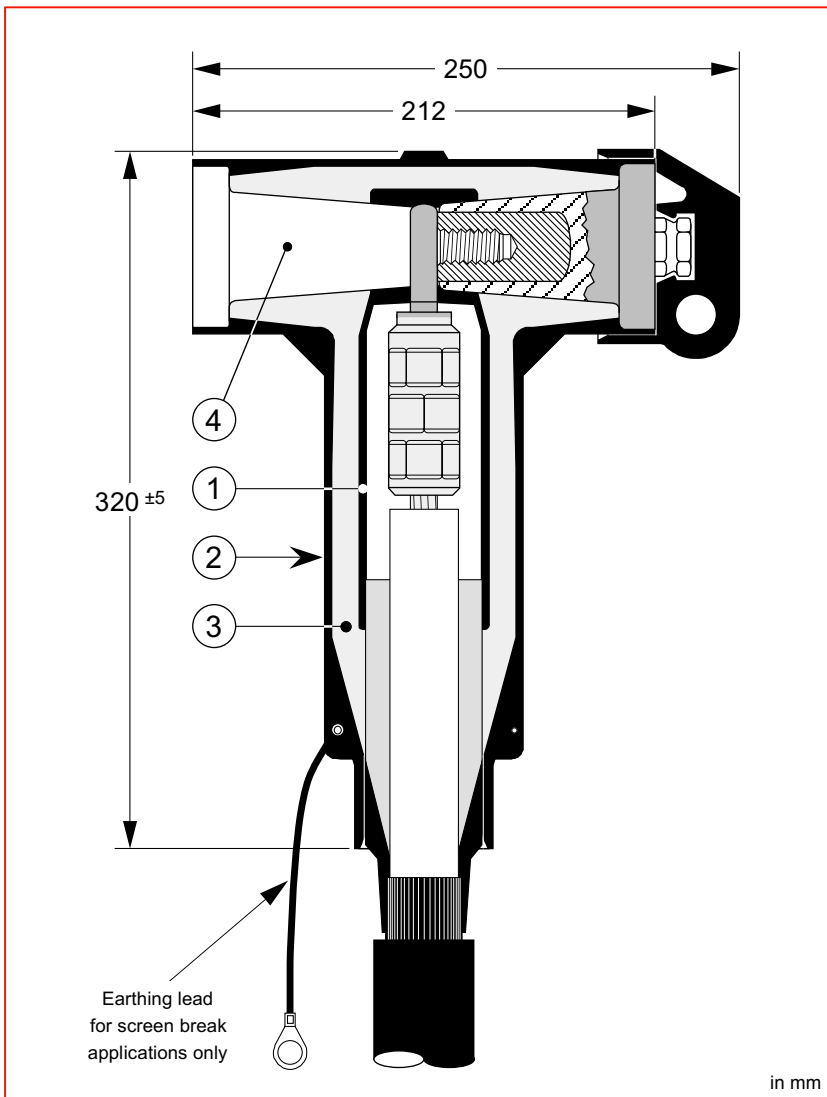
- Separable connector comprising
 1. A conductive EPDM insert.
 2. A conductive EPDM jacket.
 3. An insulating EPDM layer moulded between the insert and the jacket.
 4. Meets the type D Interface (CENELEC EN 50180 and 50181).
- The conductive EPDM jacket provides a total safe to touch screen which ensures safety for personnel.

Specifications and standards

Elastimold separable connectors meet the requirements of CENELEC HD 629.1 S1, ANSI/IEEE std. 386 and IEC 71.

Technical characteristics

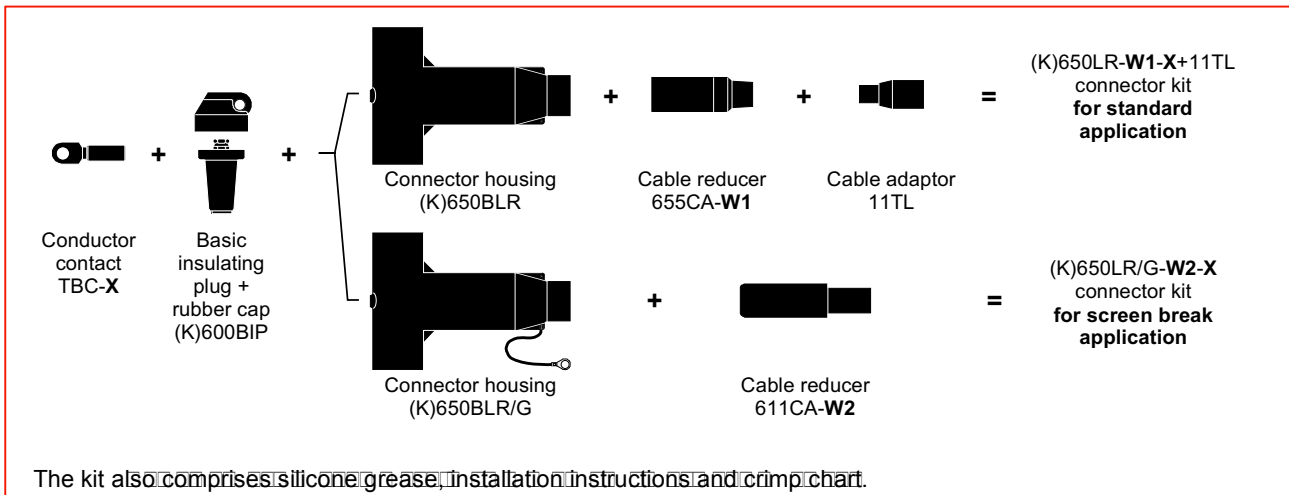
Each separable connector is tested for industrial power frequency and partial discharge prior to leaving the factory.



Separable connector type	Voltage Um (Uo/U) (kV)	Current Ir (A)	Conductor cross sections Al or Cu (mm ²)	
			min.	max.
650LR	12 (6.35/11)	800	50	630
K650LR	24 (12.7/22)	800	35	630
650LR/G	12 (6.35/11)	800	50	630
K650LR/G	24 (12.7/22)	800	35	630

Ordering instructions

The complete (K)650LR or (K)650LR/G tee connector kit comprises the following components :



Ordering information

Voltage	Standard application	Screen break application
Up to 12 kV	650LR-W1-X+11TL	650LR/G-W2-X
Up to 24 kV	K650LR-W1 -X+11TL	K650LR/G-W2-X

To order the tee connector, use the tables below to substitute for W1 or W2 and X in the formulas above.

- From table W1 or W2: Select the symbol which gives the best centring of your core insulation diameter.
- From table X: According to your conductor size and type, select the designation which completes the part number.

Table W1

Insulation dia. (mm)		Symbol for W1
min.	max.	
13.5	17.3	E
16.3	20.8	F
19.3	24.1	G
21.6	26.7	H
24.9	30.0	J
27.7	33.3	K
30.0	37.2	L
34.8	41.4	M
39.4	45.2	NP
43.8	49.1	P

Table W2

Insulation dia. (mm)		Symbol for W2
min.	max.	
16.0	22.0	15
20.0	26.5	19
23.5	31.0	22
28.5	37.5	27
34.0	42.5	32
39.0	48.5	37
45.5	56.0	43

Table X

Section (mm ²)	Aluminium		Copper
	DIN style	Deep indent style	DIN style
35	35(K)M-10-2	35(K)M-10-1	35(K)M-14
50	50(K)M-10-2	50KM-10-1	50(K)M-14
70	70(K)M-10-2	70KM-10-1	70(K)M-14
95	95(K)M-10-2	95KM-10-1	95(K)M-14
120	120(K)M-10-2	120KM-10-1	120(K)M-14
150	150(K)M-10-2	150KM-10-1	150(K)M-14
185	185(K)M-10-2	185KM-10-1	185(K)M-14
240	240(K)M-10-2	240KM-10-1	240(K)M-14
300	300(K)M-10-2	300KM-10-1	300(K)M-14
400	400(K)M-10-2	400KM-10-1	400(K)M-14
500	500(K)M-10-2	500KM-10-1	500(K)M-14
630	-	630KM-10-1	630(K)M-14

Example

The cable is 24 kV, 150 mm² compact stranded copper with a diameter over core insulation of 27.3 mm.

Order a K650LR-J-150(K)M-14 + 11TL tee connector for standard application or K650LR/G-22-150(K)M-14 tee connector for screen break application.

Components can be ordered individually.

Important note

Specify the cable metallic screen (concentric wires, metallic tape, ...). Also specify the application, indoor or outdoor use.