

36CSJ

SINGLE CORE STRAIGHT JOINT WITH CONNECTOR

Up to 36 kV

Application

For jointing copper wire screened polymeric cable to be laid in air or directly buried. The product is fully screened and fully submersible.

Technical characteristics

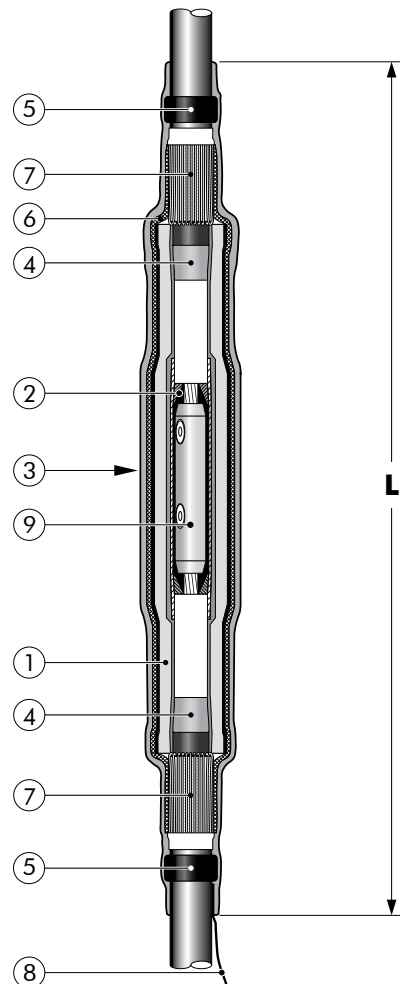
All joint bodies are tested for AC withstand prior to leaving the factory.

18/30 (36) kV
19/33 (36) kV

Design

Cold-shrinkable joint comprising:

1. Extruded triple layer EPDM rubber body.
2. Semi-conductive tape embedded in field control mastic.
3. Overall protective EPDM cover.
4. Field control mastic.
5. Water sealing mastic.
6. Copper stocking.
7. Self-adhesive copper tape.
8. Traceability tag.
9. Conductor connector.



Specifications and standards

The cold-shrinkable 36CSJ joint meets the requirements of CENELEC HD 629.1.

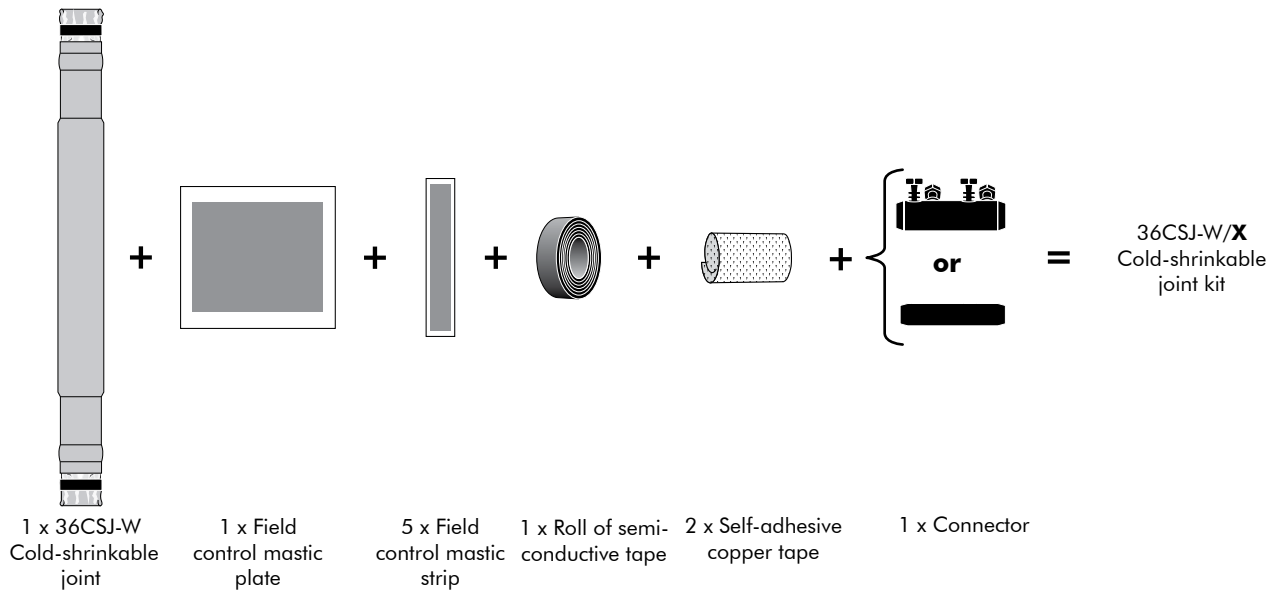
Cold-shrinkable straight joint type	L (mm)	Voltage U_m (kV)	Diameter over outer sheath (mm)	Diameter over core insulation (mm)	Conductor sizes for 36 kV (mm ²) (for information only)	
			max	min	min	max
36CSJ-2	750	36	48	23	35	240
36CSJ-3	850	36	57	30	185	630

01/2012

Kit contents

A typical complete cold-shrinkable joint kit comprises the following components :

The kit also comprises a pulling hook, adhesive tape, lubricant, wipers, gloves, template, white pencil and installation instructions.



Ordering instructions

Select the part number corresponding to the cable insulation diameter and the diameter over outer sheath and substitute X using table X, according to the conductor size and type.

Example:

The copper wire screened cable is 36 kV, 150 mm² stranded aluminium with a diameter over core insulation of 32.1 mm. Order a 36CSJ-2/M95.240-45 cold-shrinkable joint kit.

Table W

Ordering part number	Dia. over core insulation	Dia. over outer sheath
36CSJ-2/X	23 mm min.	48 mm max.
36CSJ-3/X	30 mm min.	57 mm max.

Table X

Conductor sizes (mm ²)	Aluminium conductor			Copper conductor	
	DIN hexagonal	Deep indent	Bolted	DIN hexagonal	Bolted
35	35ALU-H	DI_35	M50.240	35KU-H	M50.240
50	50ALU-H	DI_50		50KU-H	
70	70ALU-H	DI_70	M95.240	70KU-H	M95.240
95	95ALU-H	DI_95		95KU-H	
120	120ALU-H	DI_120	M50.240	120KU-H	M50.240
150	150ALU-H	DI_150		150KU-H	
185	185ALU-H	DI_185	M95.240	185KU-H	M95.240
240	240ALU-H	DI_240		240KU-H	
300	300ALU-H	DI_300		300KU-H	
400	400ALU-H	DI_400		400KU-H	
500	500ALU-H	DI_500		500KU-H	
630	630ALU-H	DI_630		630KU-H	

