

Medium voltage terminations



01/2010

Nexans Power Accessories

Nexans is the leading European specialised designer, manufacturer and distributor of prefabricated cable accessories for medium voltage energy distribution. It provides a complete range of accessories for underground cables: pre-moulded EPDM or silicone rubber connectors, terminations and joints for cables and epoxy bushings for transformers and switch gear, as well as a large range of cold-shrinkable terminations and joints from 12 to 42 kV.

Nexans is also the manufacturer of electrical components for the high voltage accessories.

ISO 9001 Certificate

Since 1992, Nexans' commitment to quality is demonstrated by its ISO 9001 certification.

International standards

All our products meet the International standards like CENELEC HD 629.1, CENELEC EN 50180, IEC 137, IEEE 386 & 404... or country specifications. Official certificates, CESI, KEMA, ATEX... prove the conformity of our products. Long duration tests of existing or new products are continuously performed in our test fields.

Laboratory accreditation

Since June 2000, Nexans' independent ELAB laboratory obtained the BELTEST accreditation no.192-T-ISO 17025 conform with the European standards for laboratories ISO 17025 for electrical testing of medium voltage cable accessories according to the International standards IEC 61442 and HD 629.

While every care is taken to ensure that the information contained in this publication is correct, no legal responsibility can be accepted for any inaccuracy. Nexans Power Accessories Ltd. reserves the right to alter or modify the characteristics of its products described in this catalogue as standards and technology evolve.

I Table of contents

ITK - indoor termination
OTK - outdoor termination
AIN - indoor termination
AFN - outdoor termination
SREI - single core XLPE indoor termination
SREF - single core XLPE outdoor termination
SRDI - three core XLPE indoor termination
SRDF - three core XLPE outdoor termination
SPDI - three core PILC indoor termination
SPDF - three core PILC outdoor termination
15TS - universal bushing boot
RAB/SB - heat-shrinkable bushing boots
SE - XLPE solderless earth connection
CK - PILC solderless earth connection
HSGK - top hat gland kits

ITK INDOOR TERMINATIONS

Up to 24 kV

6/10 (12) kV
6.35/11 (12) kV
8.7/15 (17.5) kV
12/20 (24) kV
12.7/22 (24) kV

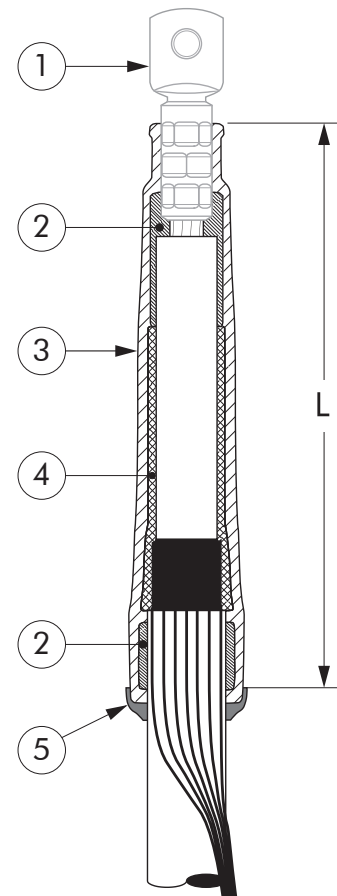
Application

A kit of 3 terminations for use indoors in controlled environmental conditions and subject to light condensation. To connect polymeric insulated cable to equipment.

Design

Indoor termination comprising:

1. Cable lug (not included in the standard kit).
2. Water sealing mastic.
3. Silicone tube.
4. Stress control mastic.
5. Conductive EPDM ring.



Specifications and standards

Meets the requirements of CENELEC HD 629.1.

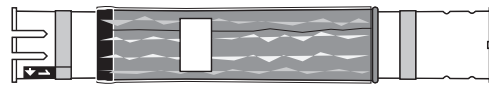
Termination type	Voltage U_m (kV)	Strike distance L (mm)	Diameter over core insulation (mm)		Conductor sizes (mm ²)	
			min.	max.	min.	max.
ITK 212	12	260	14	33	50	400
ITK 312	12	300	30	50	400	1000
ITK 224	24	260	14	33	25	240
ITK 324	24	300	30	50	300	800

01/2010

Kit contents

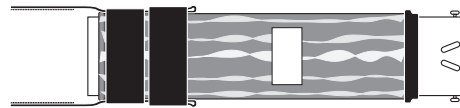
The complete ITK termination kit comprises the following components:

The kit also comprises water sealing mastic and installation instructions.



3 x Factory preassembled silicone tubes comprising stress relief and sealing mastic.

= 3 x ITK 212 or ITK 224 termination kit



3 x Factory preassembled silicone tubes comprising stress relief and sealing mastic.

= 3 x ITK 312 or ITK 324 termination kit

Ordering instructions

Select the part number corresponding to both the system voltage and the cable insulation diameter in mm.

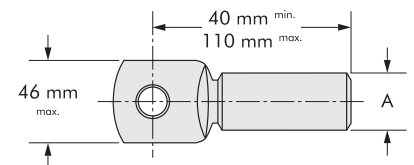
Ordering part number	Voltage U_m (kV)	Diameter over core insulation (mm)		Conductor sizes (mm ²)	
		min.	max.	min.	max.
3 x ITK 212	12	14	33	50	400
3 x ITK 312	12	30	50	400	1000
3 x ITK 224	24	14	33	25	240
3 x ITK 324	24	30	50	300	800

Example:

The copper wire screened cable is 12 kV, 150 mm² stranded aluminium.

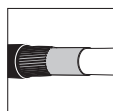
The diameter over core insulation is 26.2 mm.

Order a 3 x ITK 212 termination kit.

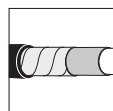


All commercialised European standard cable lugs can be used.

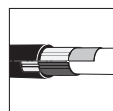
Cable lugs should be within the dimensions specified (not applicable for ITK 312 and ITK 324).



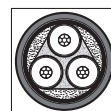
For use with copper wire screened cables. No earthing device is necessary.



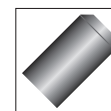
For use with copper tape screened cables. Also order a Kit MT.



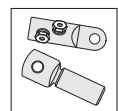
For use with Alupe or C 33-226 cables. Please contact our representative.



For use with three-core cables: see T-ITK.



If the cable lug barrel diameter (A) is less than 20 mm: order a rubber adapting sleeve.



Can be supplied with all common types of cable lugs.

OTK OUTDOOR TERMINATIONS

Up to 24 kV

6/10 (12) kV
6.35/11 (12) kV
8.7/15 (17.5) kV
12/20 (24) kV
12.7/22 (24) kV

Application

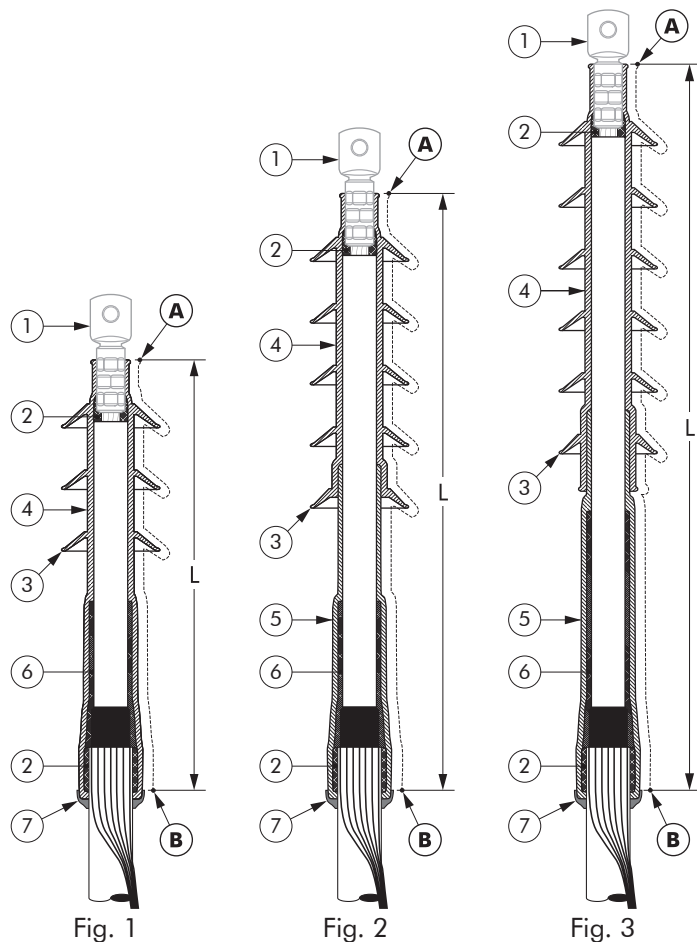
A kit of 3 terminations for use outdoors and exposed to prolonged sunshine and other weather conditions.

To connect polymeric insulated cable to equipment and for the outdoor terminating on to overhead lines or bus bars.

Design

Outdoor termination comprising:

1. Cable lug (not included in the standard kit).
2. Water sealing mastic.
3. Sheds which can be installed upwards or down.
4. Silicone tube with sheds.
5. Silicone tube.
6. Stress control mastic.
7. Conductive EPDM ring.



Specifications and standards

Meets the requirements of CENELEC HD 629.1.

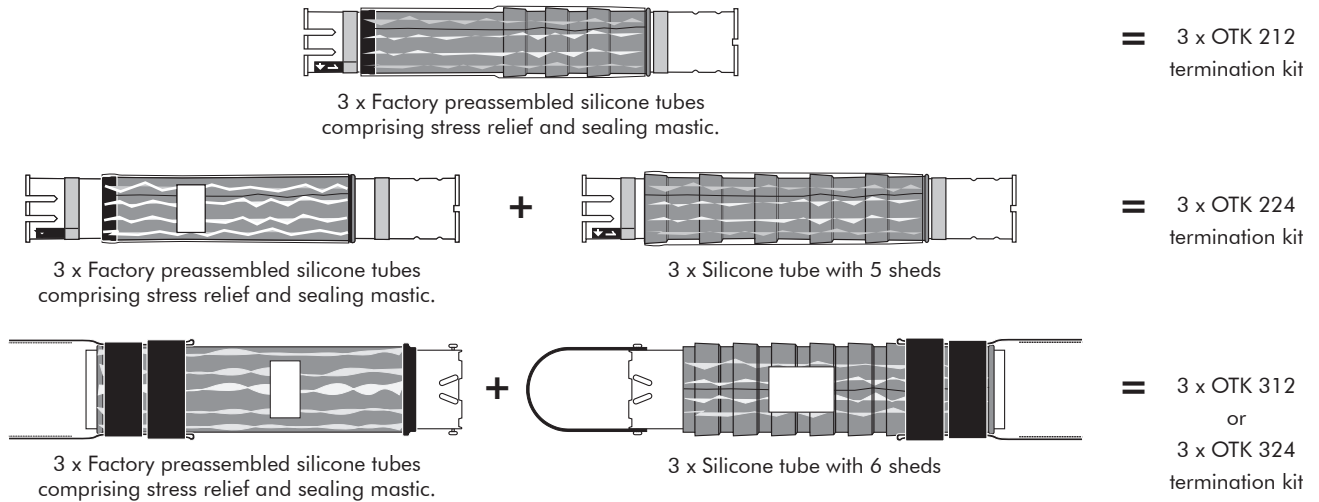
Termination type	Voltage U_m (kV)	Creepage distance A-B (mm)	Strike distance "L" (mm)	Diameter over core insulation (mm)		Number of sheds	Conductor sizes (mm ²)		Fig. no.
				min.	max.		min.	max.	
OTK 212	12	420	300	14	33	3	50	400	1
OTK 312	12	890	650	30	50	6	500	1000	3
OTK 224	24	600	400	19	33	5	50	240	2
OTK 324	24	890	650	30	50	6	300	630	3

01/2010

Kit contents

The complete OTK termination kit comprises the following components:

The kit also comprises water sealing mastic and installation instructions.



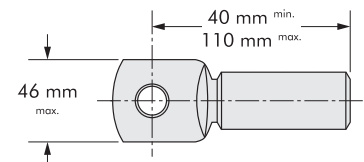
Ordering instructions

Select the part number corresponding to both the system voltage and the cable insulation diameter in mm.

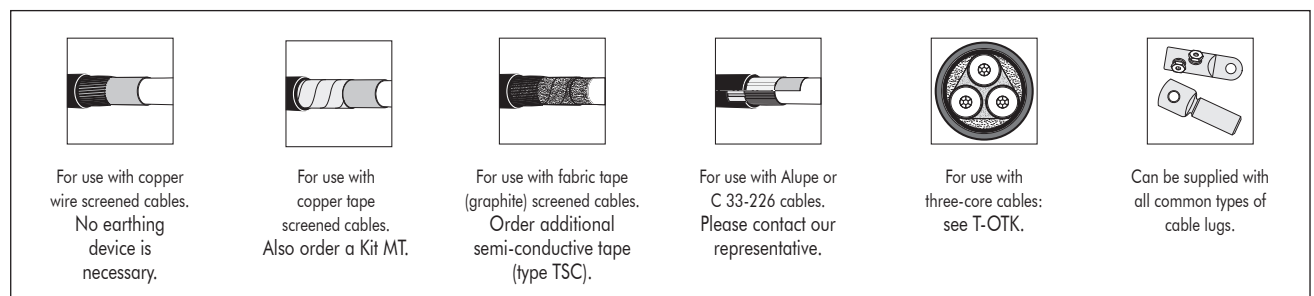
Ordering part number	Voltage U_m (kV)	Diameter over core insulation (mm)		Conductor sizes (mm ²)	
		min.	max.	min.	max.
3 x OTK 212	12	14	33	50	400
3 x OTK 312	12	30	50	500	1000
3 x OTK 224	24	19	33	50	240
3 x OTK 324	24	30	50	300	800

Example:

The copper wire screened cable is 24 kV, 150 mm² stranded aluminium. The diameter over core insulation is 26.2 mm. Order a 3 x OTK 224 termination kit.



All commercialised European standard cable lugs can be used. Cable lugs should be within the dimensions specified (not applicable for OTK 312 and OTK 324).



AIN INDOOR TERMINATIONS

Up to 42 kV

6/10 (12) kV
 6.35/11 (12) kV
 8.7/15 (17.5) kV
 12/20 (24) kV
 12.7/22 (24) kV
 18/30 (36) kV
 20.8/36 (41.5) kV

Application

A kit of 3 terminations for use indoors in controlled environmental conditions and subject to light condensation. Provides a simple and quick method of stress relieving on screened polymeric cables.

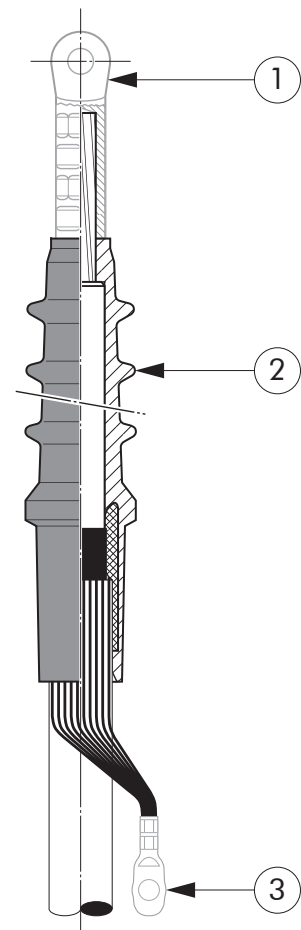
Design

Indoor termination comprising:

1. Cable lug (not included in the standard kit).
2. High flexibility silicone rubber housing, allowing larger tolerances on cable insulation diameters, with integrated conductive rubber insert, providing stress relief.
3. Earthing lug (not included in the standard kit).

Specifications and standards

Meets the requirements of CENELEC HD 629.1 and IEC 60502-4.



Termination type	Voltage U_m (kV)	Conductor sizes (mm ²)	
		min.	max.
AIN 10	12	25	1000
AIN 20	24	35	1000
AIN 30	36	50	800
AIN 36	42	150	800

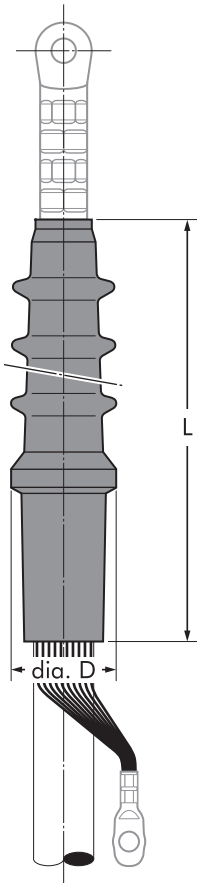
01/2010

Kit contents

A kit always comprises
 3 termination housings,
 installation instructions, special
 lubricant, wiper, adhesive tape,
 field control mastic, ...
 Cable lugs and earthing
 lugs are not included in the
 standard kit, but can be
 ordered separately.

Ordering instructions

Select the part number
 corresponding to both the
 system voltage and the cable
 dimensions in mm.



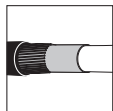
Voltage U _m (kV)	Conductor sizes (mm ²)		Diameter over core insulation (mm)		Number of sheds	L (mm)	Dia. D (mm)	Ordering part number
	min.	max.	min.	max.				
12	25	95	13.5	20.8	2	150	37	3 x AIN 10-1-H
	120	240	19.4	28.4	2	150	43	3 x AIN 10-2-H
	300	500	27.4	36.6	2	150	60	3 x AIN 10-3-H
	800	1000	40.0	55.0	7	330	127	3 x AIN 10-4-H
24	35	70	18.3	23.4	3	225	47	3 x AIN 20-1-H
	95	240	23.0	32.6	3	225	56	3 x AIN 20-2-H
	300	630	31.6	43.5	3	225	62	3 x AIN 20-3-H
	500	1000	40.0	55.0	7	330	127	3 x AIN 20-4-H
36	50	70	24.2	28.4	6	300	74	3 x AIN 30-1-H
	95	240	27.3	37.6	6	300	74	3 x AIN 30-2-H
	240	400	31.5	42.8	6	300	81	3 x AIN 30-3-H
42	400	800	40.0	55.0	7	330	127	3 x AIN 30-4-H
	150	300	31.5	42.8	7	330	127	3 x AIN 36-3-H
	400	800	40.0	55.0	7	330	127	3 x AIN 36-4-H

Example:

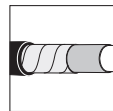
A set of 3 indoor terminations
 for a 24 kV - 240 mm² stranded
 aluminium cable with copper wire
 screen without cable lugs.

The diameter over core insulation
 is 30.4 mm.

Order a 3 x AIN 20-2-H
 termination kit.



For use with copper
 wire screened cables.
 No earthing
 device is
 necessary.



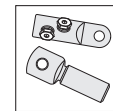
For use with
 copper tape
 screened cables.
 Order: -/MT.



For use with
 three-core cables.
 Please contact our
 representative.



For use with other
 cable types.
 Please contact our
 representative.



Can be supplied with
 all common types of
 cable lugs.



No heating or flame
 is required.

AFN OUTDOOR TERMINATIONS

Up to 42 kV

6/10 (12) kV
 6.35/11 (12) kV
 8.7/15 (17.5) kV
 12/20 (24) kV
 12.7/22 (24) kV
 18/30 (36) kV
 20.8/36 (41.5) kV

Application

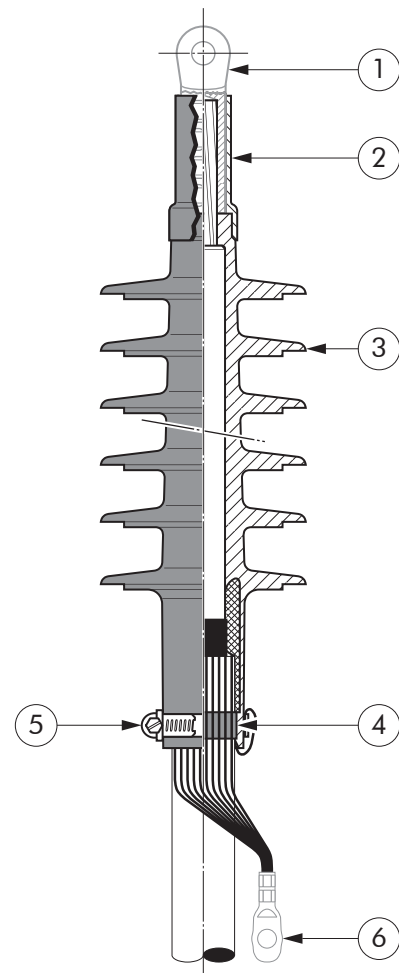
A kit of 3 terminations for use outdoors and exposed to prolonged sunshine and other weather conditions.

To connect polymeric insulated cable to equipment and for the outdoor terminating on to overhead lines or bus bars.

Design

Outdoor termination comprising:

1. Cable lug (not included in the standard kit).
2. Water sealing silicone sleeve.
3. Silicone housing with sheds and integrated conductive silicone rubber insert providing stress relief for the cable.
4. Water sealing mastic.
5. Earthing clamp.
6. Earthing lug (not included in the standard kit).



Specifications and standards

Meets the requirements of CENELEC HD 629.1 and IEC 60502-4.

Termination type	Voltage U_m (kV)	Conductor sizes (mm ²)	
		min.	max.
AFN 10	12	25	1000
AFN 20	24	35	1000
AFN 30	36	50	800
AFN 36	42	150	800

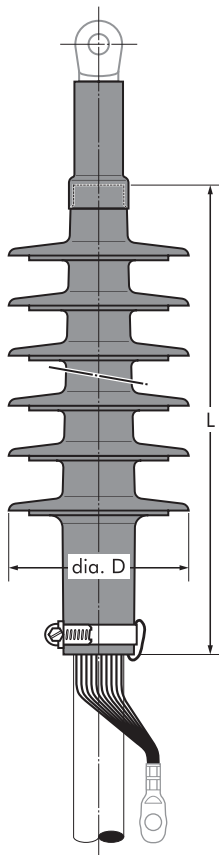
01/2010

Kit contents

A kit always comprises
 3 termination housings, water
 sealing sleeve, the installation
 instructions, special lubricant,
 wiper, earthing clamp, water
 sealing mastic, adhesive tape,
 field control mastic, ...
 Cable lugs and earthing
 lugs are not included in the
 standard kit, but can be
 ordered separately.

Ordering instructions

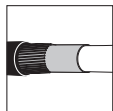
Select the part number
 corresponding to both the
 system voltage and the cable
 dimensions in mm.



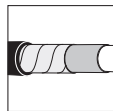
Voltage Um (kV)	Conductor sizes (mm ²)		Diameter over core insulation (mm)		Number of sheds	L (mm)	Dia. D (mm)	Creepage distance (mm)	Ordering part number
	min.	max.	min.	max.					
12	25	95	13.5	20.8	3	150	90	369	3 x AFN 10-1-H
	120	240	19.4	28.4	3	150	96	365	3 x AFN 10-2-H
	300	500	27.4	36.6	3	150	105	360	3 x AFN 10-3-H
	800	1000	40.0	55.5	7	330	127	749	3 x AFN 10-4-H
24	35	70	18.3	23.4	4	225	100	480	3 x AFN 20-1-H
	95	240	23.0	32.6	4	225	112	499	3 x AFN 20-2-H
	300	630	31.6	43.5	4	225	118	462	3 x AFN 20-3-H
	500	1000	40.0	55.5	7	330	127	749	3 x AFN 20-4-H
36	50	70	24.2	28.4	6	300	115	695	3 x AFN 30-1-H
	95	240	27.3	37.6	6	300	115	694	3 x AFN 30-2-H
	240	400	31.5	42.8	6	300	127	718	3 x AFN 30-3-H
	400	800	40.0	55.0	7	330	127	749	3 x AFN 30-4-H
42	150	300	31.5	42.8	7	330	127	749	3 x AFN 36-3-H
	400	800	40.0	55.0	7	330	127	749	3 x AFN 36-4-H

Example:

A set of 3 outdoor terminations
 for a 24 kV - 240 mm² stranded
 aluminium cable with copper wire
 screen without cable lugs.
 The diameter over core insulation
 is 30.4 mm.
 Order a 3 x AFN 20-2-H
 termination kit.



For use with copper
 wire screened cables.
 No earthing
 device is
 necessary.



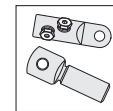
For use with
 copper tape
 screened cables.
 Order: -/MT.



For use with
 three-core cables.
 Please contact our
 representative.



For use with other
 cable types.
 Please contact our
 representative.



Can be supplied with
 all common types of
 cable lugs.



No heating or flame
 is required.

SREI

HEAT-SHRINKABLE SINGLE CORE XLPE INDOOR TERMINATION

Up to 36 kV

6/10 (12) kV
 6.35/11 (12) kV
 8.7/15 (17.5) kV
 12/20 (24) kV
 12.7/22 (24) kV
 18/30 (36) kV
 19/33 (36) kV

Application

A set of three heat-shrinkable terminations for polymeric cables, are widely used by power utilities and in industrial applications. For use indoor in controlled environmental conditions.

Design

1. Cable lug (supplied on request).
2. Water sealing mastic.
3. Anti-tracking heat-shrinkable tube.
4. Stress control heat-shrinkable tube.
5. Stress control mastic.
6. Anti-tracking sheds (when required).

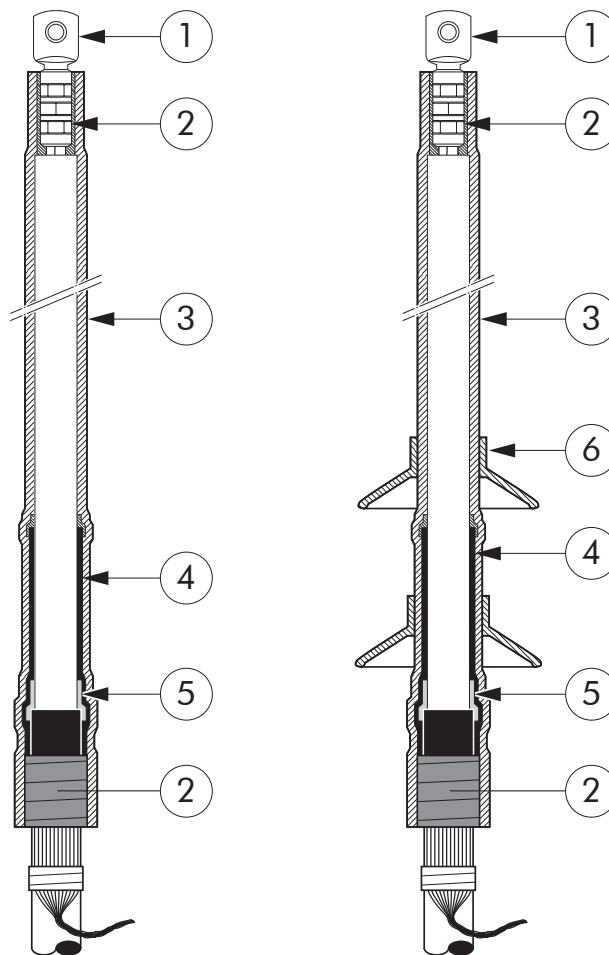
Specifications and standards

Meets the requirements of CENELEC HD 629.1 and IEC 60502-4.

Ordering instructions

Select the part number and add both system voltage and conductor size range.

Example part number:
SREI 12/95-240



Termination type	Voltage class (Um)	12 kV	(17 &) 24 kV	36 kV
SREI	Cable cross section (mm ²)	35-70	35-70	70-95
		95-240	95-185	120-240
		240-500	240-400	240-500
		400-630	400-630	



For use with other sizes and cable types. Please contact our representative.

01/2010

SREF

HEAT-SHRINKABLE SINGLE CORE XLPE OUTDOOR TERMINATION

Up to 36 kV

6/10 (12) kV
6.35/11 (12) kV
8.7/15 (17.5) kV
12/20 (24) kV
12.7/22 (24) kV
18/30 (36) kV
19/33 (36) kV

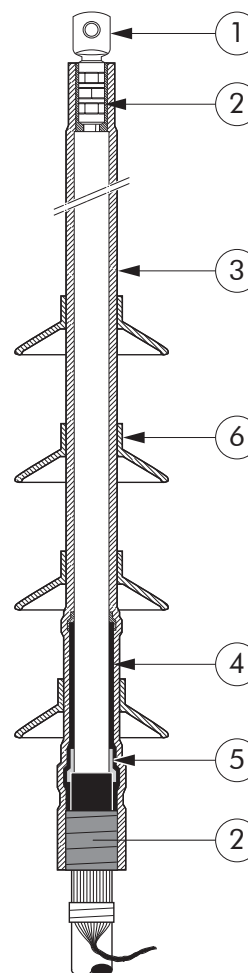
Application

A set of three heat-shrinkable terminations for polymeric cables, are widely used by power utilities and in industrial applications.

For use outdoors and exposed to prolonged sunshine and other weather conditions.

Design

1. Cable lug (supplied on request).
2. Water sealing mastic.
3. Anti-tracking heat-shrinkable tube.
4. Stress control heat-shrinkable tube.
5. Stress control mastic.
6. Anti-tracking sheds.



Specifications and standards

Meets the requirements of CENELEC HD 629.1 and IEC 60502-4.

Ordering instructions

Select the part number and add both system voltage and conductor size range.

Example part number:

SREF 12/95-240

Termination type	Voltage class (Um)	12 kV	(17 &) 24 kV	36 kV
SREF	Cable cross section (mm ²)	35-70	35-70	70-95
		95-240	95-185	120-240
		240-500	240-400	240-500
		400-630	400-630	



For use with other sizes and cable types. Please contact our representative.

SRDI HEAT-SHRINKABLE THREE CORE XLPE INDOOR TERMINATION

Up to 36 kV

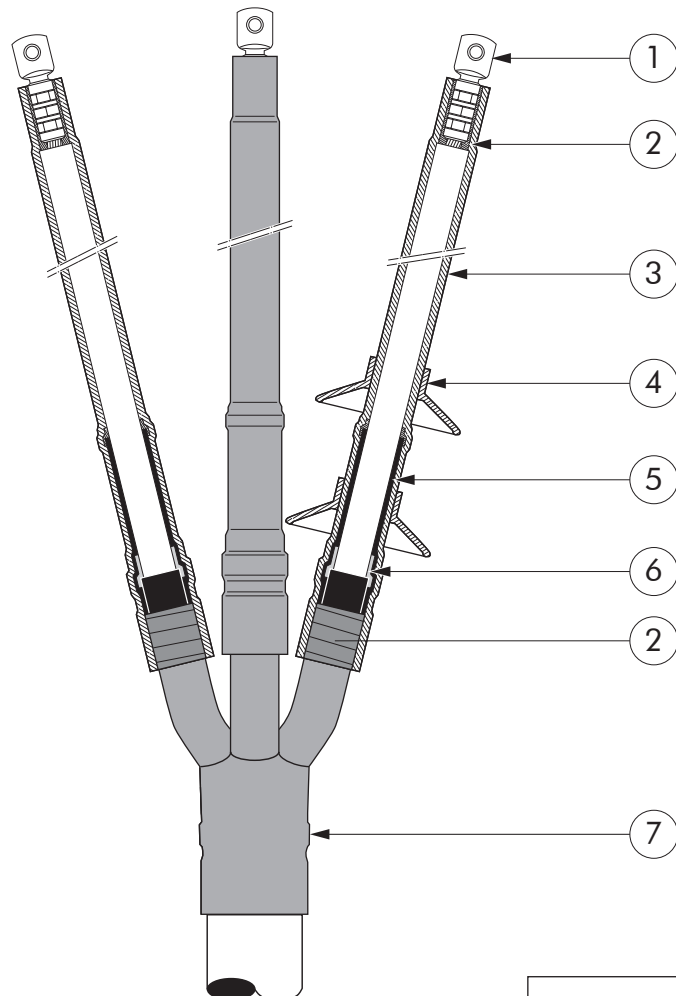
- 6/10 (12) kV
- 6.35/11 (12) kV
- 8.7/15 (17.5) kV
- 12/20 (24) kV
- 12.7/22 (24) kV
- 18/30 (36) kV
- 19/33 (36) kV

Application

Heat-shrinkable terminations for three core polymeric cables, are widely used by power utilities and in industrial applications. For use indoor in controlled environmental conditions.

Design

1. Cable lug (supplied on request).
2. Water sealing mastic.
3. Anti-tracking heat-shrinkable tube.
4. Anti-tracking sheds (when required).
5. Stress control heat-shrinkable tube.
6. Stress control mastic.
7. Break-out.



Specifications and standards

Meets the requirements of CENELEC HD 629.1 and IEC 60502-4.

Ordering instructions

Select the part number and add both system voltage and conductor size range.

Example part number:
SRDI 12/95-240

Termination type	Voltage class (Um)	12 kV	(17 &) 24 kV	36 kV
SRDI	Cable cross section (mm ²)	35-70	25-70	70-120
		95-240	95-185	150-240
		240-500	240-400	240-400



For use with other sizes and cable types. Please contact our representative.

01/2010

SRDF HEAT-SHRINKABLE THREE CORE XLPE OUTDOOR TERMINATION

Up to 36 kV

6/10	(12)	kV
6.35/11	(12)	kV
8.7/15	(17.5)	kV
12/20	(24)	kV
12.7/22	(24)	kV
18/30	(36)	kV
19/33	(36)	kV

Application

Heat-shrinkable terminations for three core polymeric cables, are widely used by power utilities and in industrial applications. For use outdoors and exposed to prolonged sunshine and other weather conditions.

Design

1. Cable lug (supplied on request).
2. Water sealing mastic.
3. Anti-tracking heat-shrinkable tube.
4. Anti-tracking sheds.
5. Stress control heat-shrinkable tube.
6. Stress control mastic.
7. Break-out.

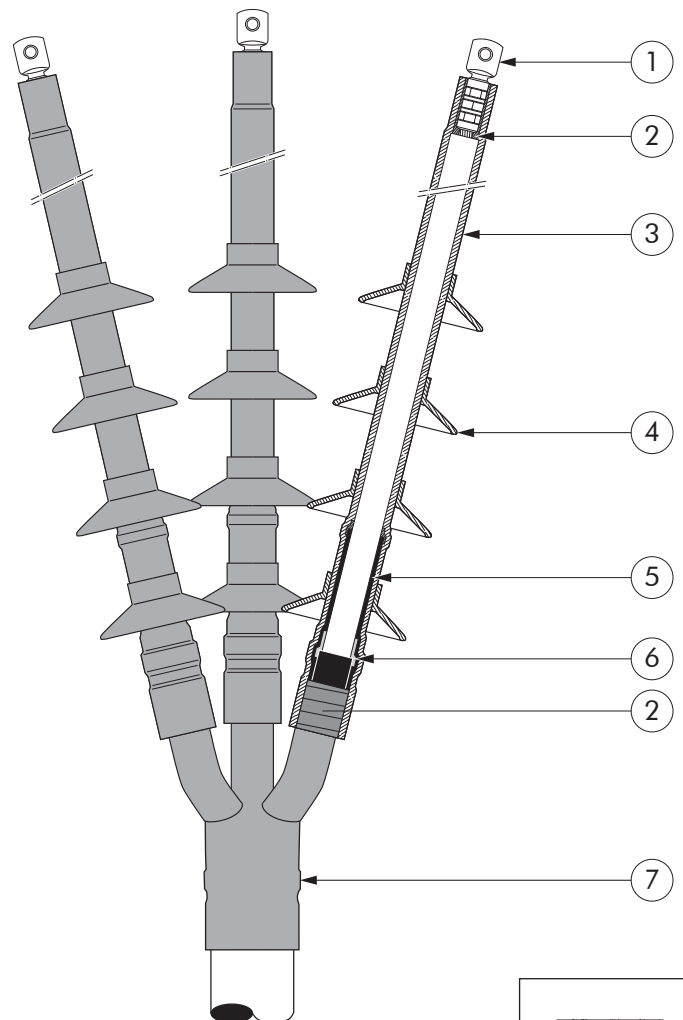
Specifications and standards

Meets the requirements of CENELEC HD 629.1 and IEC 60502-4.

Ordering instructions

Select the part number and add both system voltage and conductor size range.

Example part number:
SRDF 12/95-240



Termination type	Voltage class (Um)	12 kV	(17 &) 24 kV	36 kV
SRDF	Cable cross section (mm ²)	35-70	25-70	70-120
		95-240	95-185	150-240
		240-500	240-400	240-400



For use with other sizes and cable types. Please contact our representative.

SPDI HEAT-SHRINKABLE THREE CORE PILC/PICAS INDOOR TERMINATION

Up to 12 kV

6/10 (12) kV
6.35/11 (12) kV

Application

Heat-shrinkable terminations for three core PILC/PICAS cables, are used by power utilities and in industrial applications. For use indoor in controlled environmental conditions.

Design

1. Cable lug (supplied on request).
2. Water sealing mastic.
3. Anti-tracking heat-shrinkable tube.
4. Anti-tracking sheds (when required).
5. Stress control heat-shrinkable tube.
6. Stress control mastic.
7. Break-out.
8. Barrier tube.

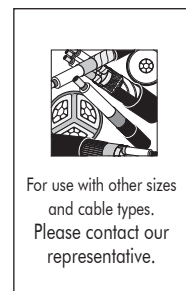
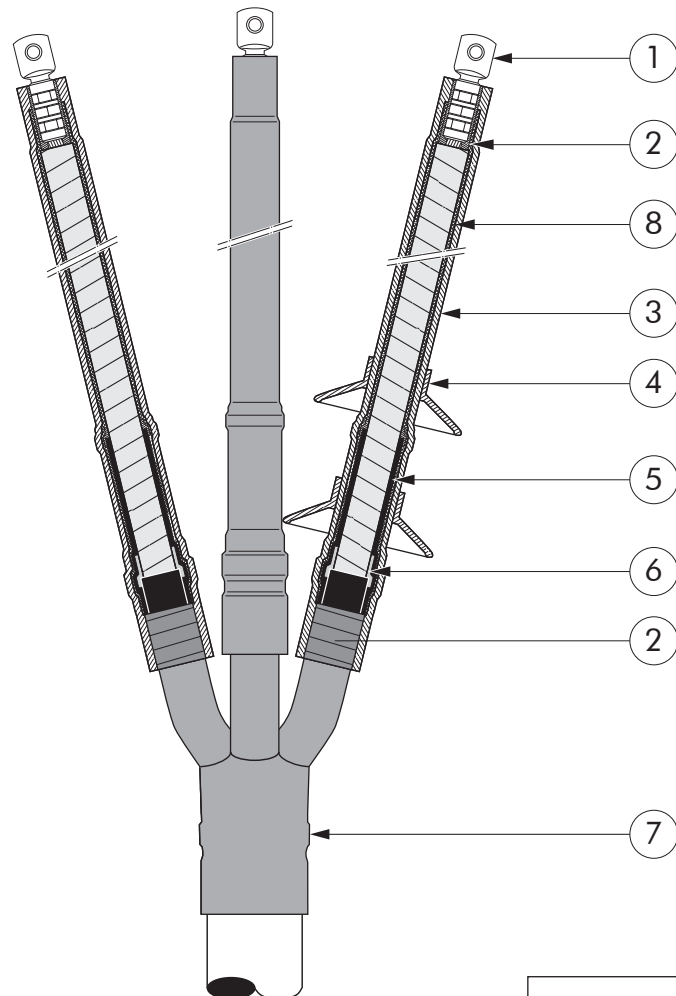
Specifications and standards

Meets the requirements of CENELEC HD 629.1 and IEC 60502-4.

Ordering instructions

Select the part number and add both system voltage and conductor size range.

Example part number:
SPDI 12/95-240



01/2010

Termination type	Voltage class (Um)	Cable cross section (mm ²)
SPDI 12/16-25	12 kV	16-25
SPDI 12/35-70		35-70
SPDI 12/95-240		95-150
SPDI 12/185-500		185-500

SPDF HEAT-SHRINKABLE THREE CORE PILC/PICAS OUTDOOR TERMINATION

Up to 12 kV

6/10 (12) kV
6.35/11 (12) kV

Application

Heat-shrinkable terminations for three core PILC/PICAS cables, are widely used by power utilities and in industrial applications.

For use outdoors and exposed to prolonged sunshine and other weather conditions.

Design

1. Cable lug (supplied on request).
2. Water sealing mastic.
3. Anti-tracking heat-shrinkable tube.
4. Anti-tracking sheds.
5. Stress control heat-shrinkable tube.
6. Stress control mastic.
7. Break-out.
8. Oil barrier tube.
9. Anti-tracking tri-shed.

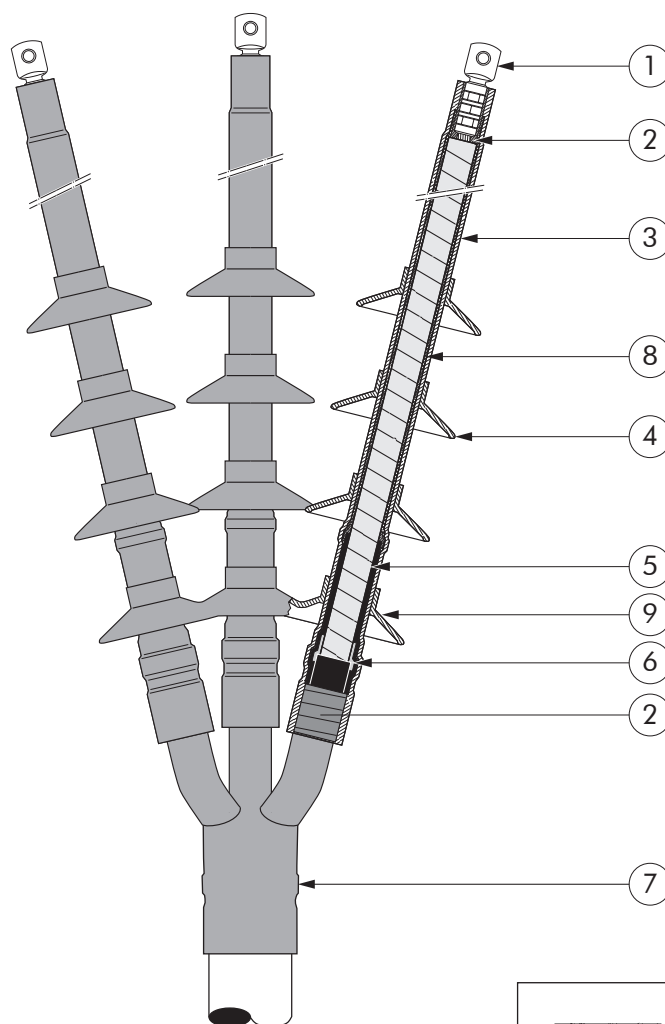
Specifications and standards

Meets the requirements of CENELEC HD 629.1 and IEC 60502-4.

Ordering instructions

Select the part number and add both system voltage and conductor size range.

Example part number:
SPDF 12/95-240



For use with other sizes and cable types. Please contact our representative.

Termination type	Voltage class (Um)	Cable cross section (mm ²)
SPDF 12/16-25	12 kV	16-25
SPDF 12/35-70		35-70
SPDF 12/95-240		95-150
SPDF 12/185-500		185-500

15TS-NSS UNIVERSAL BUSHING BOOT

**Up to 17.5 kV
BIL 95 kV**

**6/10 (12) kV
6.35/11 (12) kV
8.7/15 (17.5) kV**

Application

This universal bushing boot is manufactured from non-tracking EPDM rubber and is designed to mate with all types of cold or heat-shrinkable terminations (without sheds). The bushing part fits interface diameters between 40 and 60 mm. The system is separable and allows easy removal for

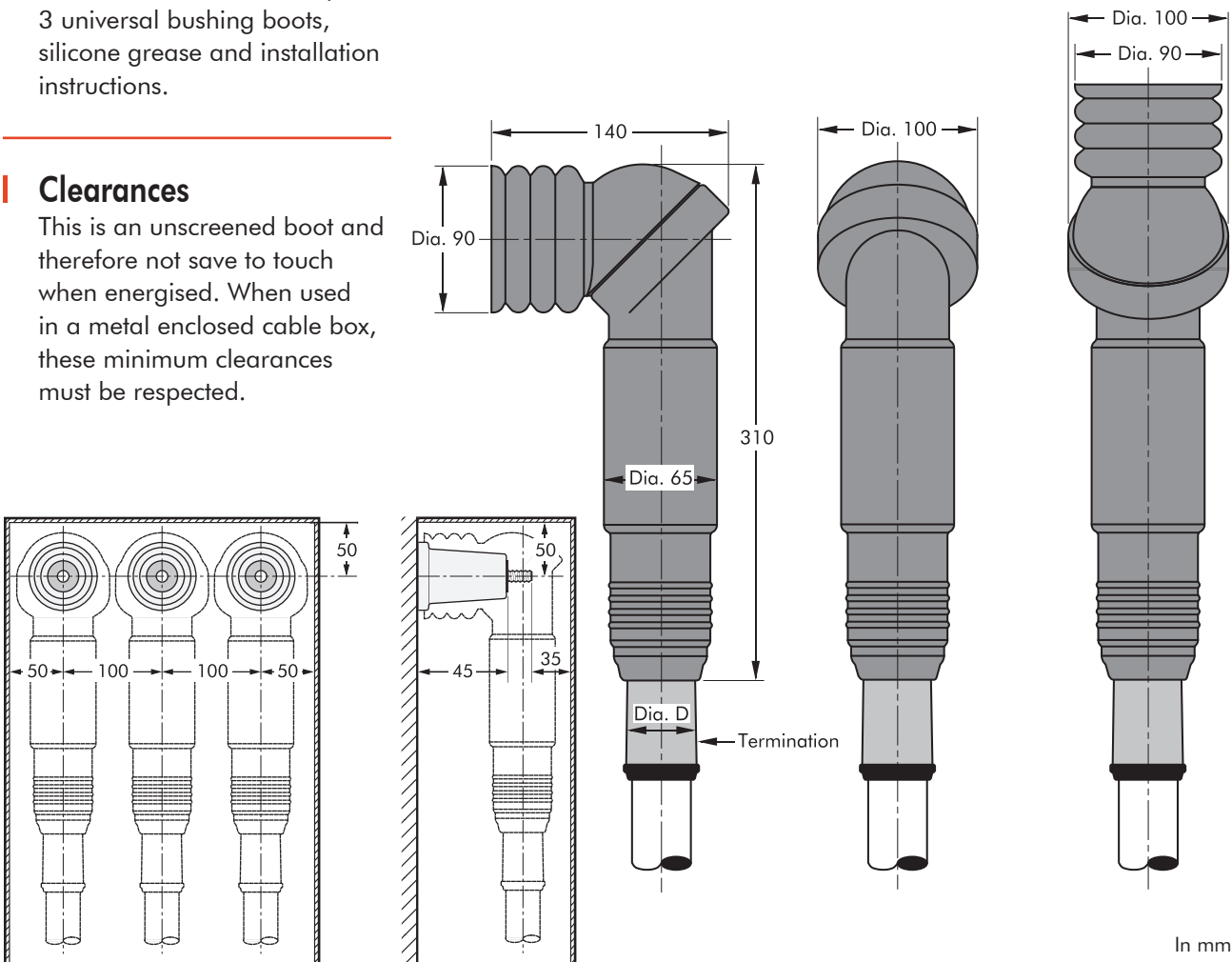
testing. This boot is suitable for all angles between 90° and 180°.

Kit contents

The 3 x 15TS-NSS kit comprises 3 universal bushing boots, silicone grease and installation instructions.

Clearances

This is an unshielded boot and therefore not safe to touch when energised. When used in a metal enclosed cable box, these minimum clearances must be respected.



In mm

Bushing boot type	Voltage U_m (kV)	Conductor sizes (mm ²)		Diameter D over termination (mm)	
		min.	max.	min.	max.
15TS-NSS	17.5 max.	35	630	20	50

01/2010

RAB/SB HEAT-SHRINKABLE BUSHING BOOT

Up to 17.5 kV

Application

Heat-shrinkable bushing boots are used to increase the creepage distance between the live metal and surrounding metal work and neighbouring phases.

6/10 (12) kV
6.35/11 (12) kV
8.7/15 (17.5) kV

Kit contents

The RAB/SB kit comprises 3 heat-shrinkable bushing boots and mastic.

Clearances

This is an unshielded boot and therefore not safe to touch when energised.

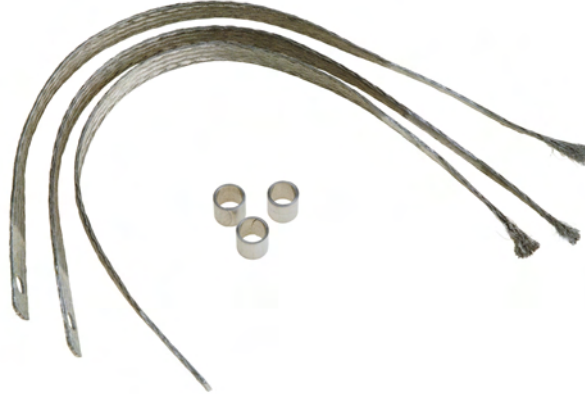


Bushing boot type	Voltage Um (kV)	Description	Conductor sizes (mm ²)	
			min.	max.
RAB 1	17.5 max.	right angle	16	95
RAB 2	17.5 max.	right angle	120	300
RABS1	17.5 max.	right angle short	16	95
RABS2	17.5 max.	right angle short	120	300
SB 1	17.5 max.	straight	16	95
SB 2	17.5 max.	straight	120	300

SE XLPE SOLDERLESS EARTH CONNECTION INDOOR

Application

Required to effectively earth the copper tape screen of polymeric (XLPE & EPR) insulated cables without soldering. Supplied in sets of three.



Part number 3-core kit	Voltage class (Um)	6.6 kV	12 kV	(17 &) 24 kV	36 kV	Diameter over screen (mm)
SE1	Cable cross section (mm ²)	16-50	16-50	-	-	12-18
SE2		70-150	70-150	25-50	25-35	19-24
SE3		185-300	185-240	95-150	50-70	25-30
SE4		400-630	300-630	185-500	95-300	31-44
SE5		800-1000	800-1000	630-1000	400-1000	41-65

CK PILC SOLDERLESS EARTH CONNECTION OUTDOOR

Application

For use with HSGK range of gland kits when installing lead sheathed cables (PILC). Allows the earthing of the lead sheath without need for plumbing. Supplied in sets of three.



Indoor kit Part number	Indoor kit Part number	Cable cross section	Diameter over lead sheath (mm)
CK1	CK1-O	16-95 mm ²	28-39
CK2	CK2-O	120-185 mm ²	40-50
CK3	CK3-O	240-300 mm ²	51-60
CK4	CK4-O	400-500 mm ²	61-80

Application

Made to comply with stud spacings to BS 2562.
 For indoor and outdoor use on switchgear or transformer cable boxes.
 They provide an effective moisture seal around the cable sheath and earth armour wires.

Kit contents

The kit includes metal gland body, heat-shrinkable sleeve, armour clamps, copper braid and mastic tape.



Part number	Cable cross section
HSGK1	3-core cables with an under armour diameter of up to 63 mm
HSGK2	3-core cables with an under armour diameter of up to 94 mm
HSGK3	1-core cables with an under armour diameter of up to 63 mm

Additional catalogue information on power cable accessories
is available by contacting us at the address below:

┌ Distributed by:

└



Nexans Power Accessories Ltd
Unit 2, Aire & Calder Industrial Park, Lock Lane, Castleford, West Yorkshire WF10 2JA, United Kingdom
Tel.: +44 (0)1977 66 99 66 • Fax: +44 (0)1977 66 99 77 • sales@nexansdirect.com

Catalogue also available on CD-ROM