

Nippon Pulse's PJP Series motor is ideal for motion control applications where the benefits of smaller size with high torque are essential. They feature superior response characteristics and function in a wide variety of applications.



**Features:**

- PJP28 = NEMA 11
- PJP42= NEMA 17
- PJP56 = NEMA 23

**Applications:**

- Automation
- Document processing
- Printer, copiers and sorters
- Chart recorders and plotters
- Rotary positioning
- Robot grippers

### General Specifications (Unipolar Winding\*)

Specification	Unit	PJP28T				PJP42T			PJP56T					
		32E16	40E16	45E16	51E16	34D16	40D16	49D16	44A16	44B16	55A16	55B16	78A16	78B16
Excitation Mode		2-2 phase												
Step Angle	°	1.8												
Step Angle Tolerance	%	±5												
Steps Per Revolution		200												
Rated Voltage	V	2.66	3.23	3.71	4.37	2.9	3.6	4.0	2.8	5.7	3.6	7.4	4.5	8.6
Rated Current	A / ϕ	0.95				1.2			2.0	1.0	2.0	1.0	2.0	1.0
Winding Resistance	Ω / ϕ	2.8	3.4	3.9	4.6	2.4	3.0	3.3	1.4	5.7	1.8	7.4	2.25	8.6
Winding Inductance	mH / ϕ	1.0	1.5	1.5	1.7	2.5	2.7	3.7	1.5	5.6	3.2	15.0	3.8	15.2
Max. Holding Torque	N · m	0.045	0.06	0.075	0.09	0.21	0.25	0.37	0.4	0.4	0.85	0.85	1.3	1.35
Rotor Inertia	×10 <sup>-7</sup> kg·m <sup>2</sup>	9	12	14	17	36	56	74	120		280		480	
Operating Temp.	°C	-10 ~ +60												
Insulation Class		Class B (allowable coil temperature)												
Insulation Resistance	MΩ	100Ω												
Dielectric Strength	AC V	500V (1 min.)												
Mass	g	110	150	170	195	240	300	400	470		700		1000	

\*Bipolar windings are also available by request.

### Part Numbering

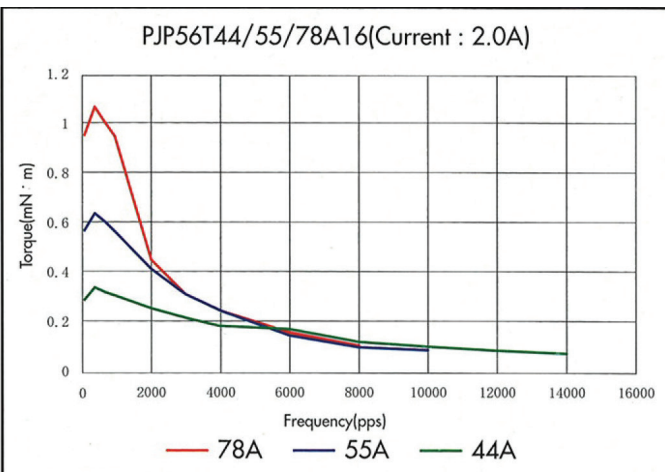
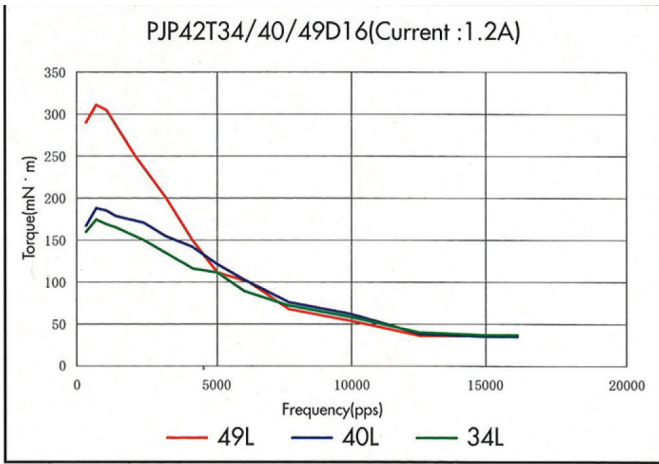
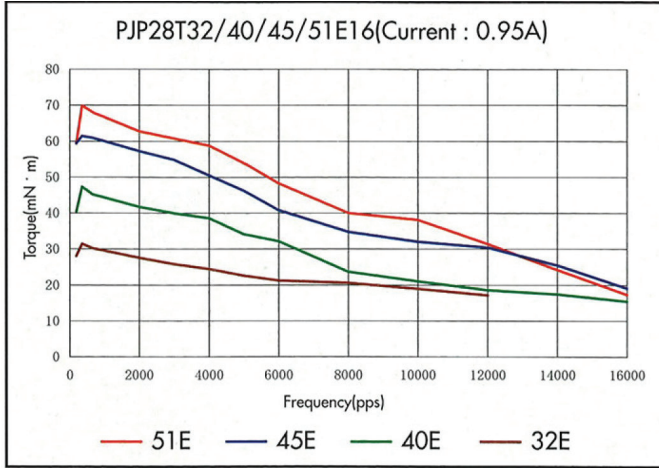
PJP 42 T 34 D 1 6 xx  
 1 2 3 4 5 6 7 8

1: Series  
 2: Size  
 3: Design version  
 4: Stack length

5: Coil winding  
 6: Shaft (1, 2)  
 7: Leads  
 8: Customizations (xx)

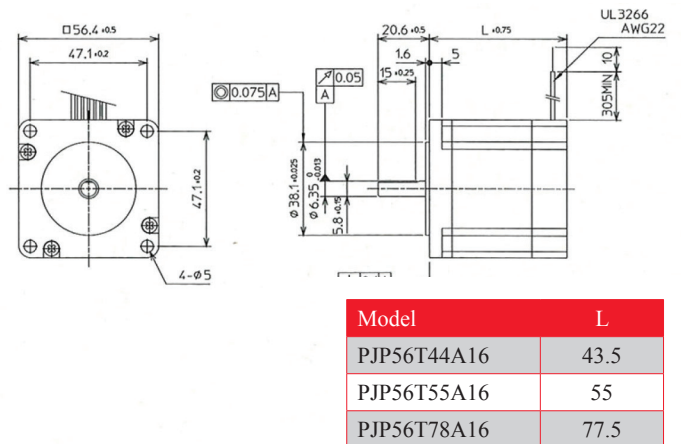
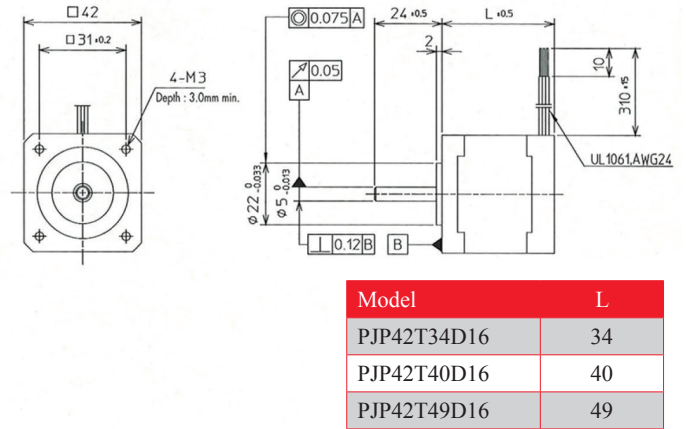
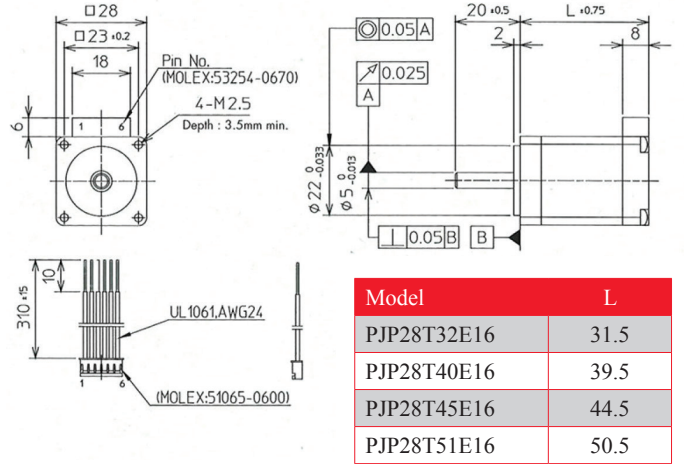
## Pull-Out Torque

Drive Condition: 24V, 2-2  $\phi$   
 Driver: BCD4020UT (Unipolar Rated Current)



## Dimensions (mm)

Double shaft options are available by request.



**NPM**

Nippon Pulse  
 Your Partner in Motion Control