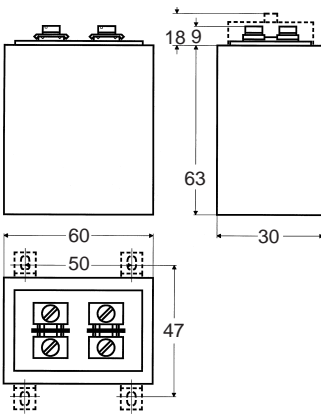
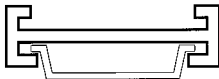


Type GP-1, LP-1 & PP-1 Picture showing type GP-1 with 4 fixing feet



Burden in VA in class / Sec. current / Pricelist- and ordernumber

	Prim A	0.2 VA	0.2 1A	0.2 5A	0.5/1 VA	0.5/1 1A	0.5/1 5A	1 VA	1 1A	1 5A
Type GP-1 401-										
	0.1							2	-0111	-0151
	0.2							2	-0411	-0451
	0.25							2	-0511	-0551
	0.5							3	-0611	-0651
	1	3	-0813	-0853	7.5/10	-0810	-0850	5	-0811	-0851
	1.5	3	-1013	-1053	7.5/10	-1010	-1050	5	-1011	-1051
	2	3	-1113	-1153	7.5/10	-1110	-1150	5	-1111	-1151
	2.5	3	-1213	-1253	7.5/10	-1210	-1250	5	-1211	-1251
	3	3	-1313	-1353	7.5/10	-1310	-1350	5	-1311	-1351
	5	3	-1413	-1453	7.5/10	-1410	-1450	5	-1411	-1451
	6	3	-1513	-1553	7.5/10	-1510	-1550	5	-1511	-1551
	7.5	3	-1613	-1653	7.5/10	-1610	-1650	5	-1611	-1651
	10	3	-1713	-1753	7.5/10	-1710	-1750	5	-1711	-1751
	12.5	3	-1813	-1853	7.5/10	-1810	-1850	5	-1811	-1851
	15	3	-1913	-1953	7.5/10	-1910	-1950	5	-1911	-1951
Type LP-1 411-										
	0.1	7.5	-0113	-0153	15/25	-0110	-0150			
	0.2	7.5	-0413	-0453	15/25	-0410	-0450			
	0.25	7.5	-0513	-0553	15/25	-0510	-0550			
	0.5	7.5	-0613	-0653	15/25	-0610	-0650			
	1	7.5	-0813	-0853	15/25	-0810	-0850			
	1.5	7.5	-1013	-1053	15/25	-1010	-1050			
	2	7.5	-1113	-1153	15/25	-1110	-1150			
	2.5	7.5	-1213	-1253	15/25	-1210	-1250			
	3	7.5	-1313	-1353	15/25	-1310	-1350			
	5	7.5	-1413	-1453	15/25	-1410	-1450			
	6	7.5	-1513	-1553	15/25	-1510	-1550			
	7.5	7.5	-1613	-1653	15/25	-1610	-1650			
	10	7.5	-1713	-1753	15/25	-1710	-1750			
	12.5	7.5	-1813	-1853	15/25	-1810	-1850			
	15	7.5	-1913	-1953	15/25	-1910	-1950			

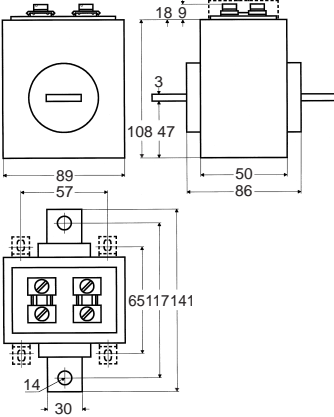
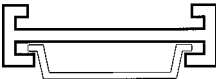
Burden in VA in class / Sec. current / Pricelist- and ordernumber								
	Prim A	1			3			
		VA	1A	5A	VA	1A	5A	
<p>Type PP-1 421-</p> 	1	2	-0811	-0851	3	-0814	-0854	
	1.5	2	-1011	-1051	3	-1014	-1054	
	2	2	-1111	-1151	3	-1114	-1154	
	2.5	2	-1211	-1251	3	-1214	-1254	
	3	2	-1311	-1351	3	-1314	-1354	
	5	2	-1411	-1451	3	-1414	-1454	
	6	2	-1511	-1551	3	-1514	-1554	
	7.5	2	-1611	-1651	3	-1614	-1654	
	10	2	-1711	-1751	3	-1714	-1754	
	12.5	2	-1811	-1851	3	-1814	-1854	
	15	2	-1911	-1951	3	-1914	-1954	
	Accessories	4 fixing feet (delivered as standard) sealable terminal cover (type GP-1 and LP-1 only) sealable terminal cover (type PP-1) special primary or secondary current increased burden (type GP-1 and LP-1 only) class 0.2S (type LP-1 only)				4A HG HP on request on request on request		
	fastening clip for 35mm DIN rail, - type GP-1 horizontal or vertical use - type PP-1				PG PP			

Type GP-2, GP-3 & LP-3 Picture showing type GP-3 with 4 fixing feet



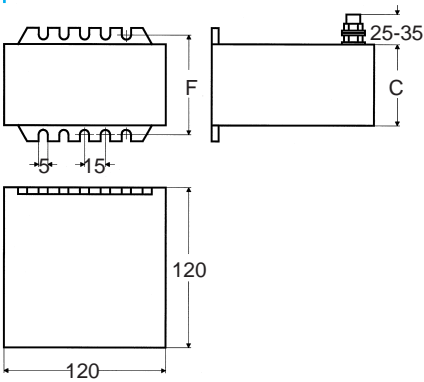
Burden in VA in class / Sec. current / Pricelist- and ordernumber

	Prim A				1/3		
		VA	1A	5A	VA	1A	5A
Type GP-2 402-							
	15				5/7.5	-1910	-1950
	20				5/7.5	-2110	-2150
	25				5/7.5	-2210	-2250
	30				5/7.5	-2310	-2350
	40				5/7.5	-2410	-2450
	50				5/7.5	-2510	-2550
	60				5/7.5	-2610	-2650
	75				5/7.5	-2710	-2750
	80				5/7.5	-2810	-2850
	100				5/7.5	-2910	-2950
Type GP-3 403-							
	15	3	-1913	-1953	7.5/10	-1910	-1950
	20	3	-2113	-2153	7.5/10	-2110	-2150
	25	3	-2213	-2253	7.5/10	-2210	-2250
	30	3	-2313	-2353	7.5/10	-2310	-2350
	40	3	-2413	-2453	7.5/10	-2410	-2450
	50	3	-2513	-2553	7.5/10	-2510	-2550
	60	3	-2613	-2653	7.5/10	-2610	-2650
	75	3	-2713	-2753	7.5/10	-2710	-2750
	80	3	-2813	-2853	7.5/10	-2810	-2850
	100	3	-2913	-2953	7.5/10	-2910	-2950

Burden in VA in class / Sec. current / Pricelist- and ordernumber							
	Prim A	VA	0.2		0.5/1		
			1A	5A	VA	1A	5A
<p>Type LP-3 413-</p> 	15	7.5	-1913	-1953	15/25	-1910	-1950
	20	7.5	-2113	-2153	15/25	-2110	-2150
	25	7.5	-2213	-2253	15/25	-2210	-2250
	30	7.5	-2313	-2353	15/25	-2310	-2350
	40	7.5	-2413	-2453	15/25	-2410	-2450
	50	7.5	-2513	-2553	15/25	-2510	-2550
	60	7.5	-2613	-2653	15/25	-2610	-2650
	75	7.5	-2713	-2753	15/25	-2710	-2750
	80	7.5	-2813	2853	15/25	-2810	-2850
	100	7.5	-2913	-2953	15/25	-2910	-2950
	Accessories	4 fixing feet (delivered as standard) secondary short circuiting piece sealable secondary terminal cover					
	fastening clip for 35mm DIN rail, horizontal or vertical use (for type GP-2 and GP-3 only)						PG
	special primary or secondary current two or three ratios, secondary change increased burden accuracy class 0.1 and 0.2S (type LP-3 only)						on request on request on request on request

Type UA, UB & UC

Picture showing type UB 5-15-50/5A 30VA CI 0.5



Primary change multi ratio current transformer, with nickel plated brass bolt terminals and moulded fixing brackets

Selection of type UA, UB or UC is dependent upon the electrical requirements of the transformer	Type	UA 201-	UB 202-	UC 203-
	C	53	79	105
	F	65	91	117
List of combination of burden in VA in Class				
	Code	0.2	0.5	1
	X		5	10
* additional charge -7081	Y	5*	10	20
** additional charge -7082	Z	10**	20	30
<p>*** secondary 1A, 1.5A, 2A, 2.5A additional charge -7080</p> <p>Standard primary current: 1.0A 5.0A 15A 50A 1.5A 6.0A 20A 60A 2.0A 7.5A 25A 75A 2.5A 10.0A 30A 80A 3.0A 12.5A 40A 100A</p> <p>Examples: 50/1A 10VA CI 0.5 -7001+-7080 30-60/5A 10VA CI 0.2 -7032+-7082 1-5-10/2A 5VA CI 0.5 -7040+-7080 5-25-50-100/5A 10VA CI 0.2 -7072+-7082</p>	Number of prim. ratios	Code	Primary 1-50A Secondary 5A ***	Primary 1-100A Secondary 5A ***
	1	X	-7000	-7010
		Y	-7001	-7011
		Z	-7002	-7012
	2	X	-7020	-7030
		Y	-7021	-7031
		Z	-7022	-7032
	3	X	-7040	-7050
		Y	-7041	-7051
		Z	-7042	-7052
	4	X	-7060	-7070
		Y	-7061	-7071
	Z	-7062	-7072	
special primary or secondary current 5 or more primary ratios increased burden secondary change accuracy class 0.1 and 0.2S			on request	on request
			on request	on request
			on request	on request
			on request	on request