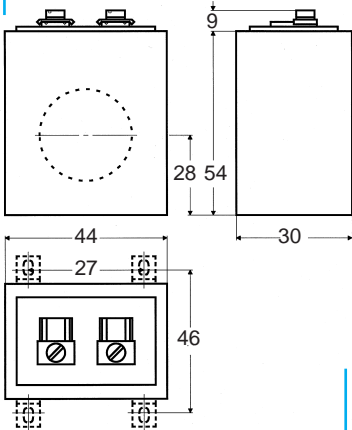


Type X..

Picture showing type X21R



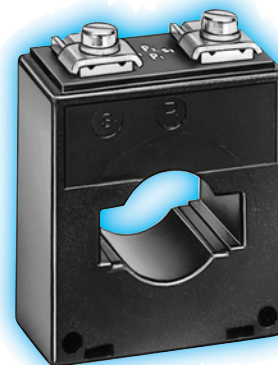
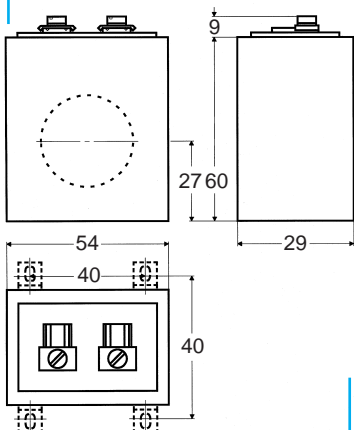
Burden in VA in class / Sec. current / Pricelist- and ordernumber

	Prim A	VA	3 1A	3 VA	5A
<p>Type X21R 700-</p> <p>for cable ø 21</p>	20	0.4	- z2114		
	25	0.5	- h2214		
	30	0.6	- c2314		
	40	1.5	- B2414	1	- A2454
	50	2	- C2514	1.5	- B2554
	60	2	- C2614	1.5	- B2654
	75	2.5	- D2714	2	- C2754
	80	2.5	- D2814	2	- C2854
	100	2	- C2914	2	- C2954
	125	2.5	- D3114	2.5	- D3154
	150	3	- E3214	3	- E3254

Accessories	2 fixing feet			2A	
	4 fixing feet			4A	

Type V..

Picture showing type V3



Burden in VA in class / Sec. current / Pricelist- and ordernumber

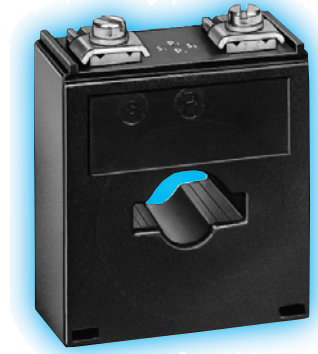
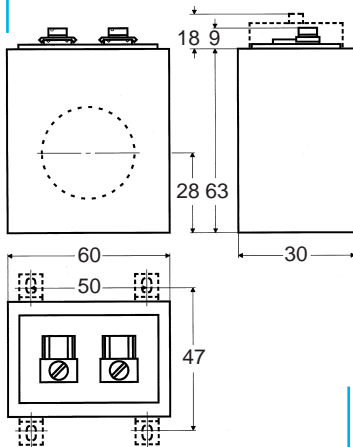
	Prim A	0.5			1			3		
		VA	1A	5A	VA	1A	5A	VA	1A	5A
Type V1 055- for busbar 20x5 for cable ø 17	50							1.5	-2514	-2554
	60							2	-2614	-2654
	75				1.5	-2711	-2751	2.5	-2714	-2754
	80				1.5	-2811	-2851	2.5	-2814	-2854
	100	1.5	-2912	-2952	2.5	-2911	-2951	3.5	-2914	-2954
	125	1.5	-3112	-3152	2.5	-3111	-3151	3.5	-3114	-3154
	150	2	-3212	-3252	3.5	-3211	-3251	5	-3214	-3254
	200	3	-3412	-3452	5	-3411	-3451	7.5	-3414	-3454
Type V3 057- for busbar 30x10 for cable ø 23	200				1	-3411	-3451	2.5	-3414	-3454
	250				2.5	-3511	-3551	3.5	-3514	-3554
	300	2	-3612	-3652	3.5	-3611	-3651	5	-3614	-3654
	400	3	-3712	-3752	3.5	-3711	-3751	5	-3714	-3754
	500				3	-3811		3.5	-3814	
	500	3		-3852	5	-3851		7.5		-3854
	600	2	-3912		3.5	-3911		5	-3914	
	600	5		-3952	5	-3951		7.5		-3954

Type V- also available as type V0 for cable 19mm.

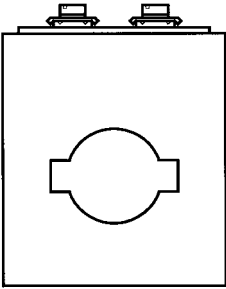
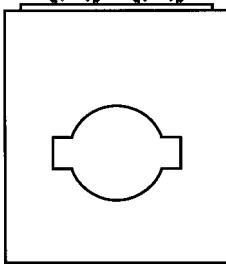
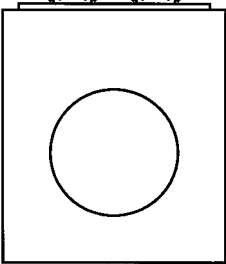
Accessories	fixing plate special primary or secondary current	V on request
	1 busbar holder	1BV
	fastening clip for 35mm DIN rail, horizontal or vertical use	PV

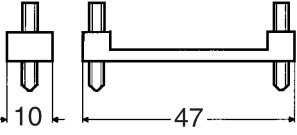
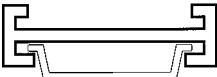
Type P.

Picture showing type P3



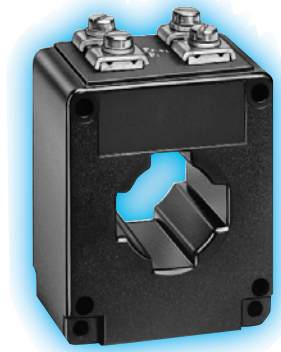
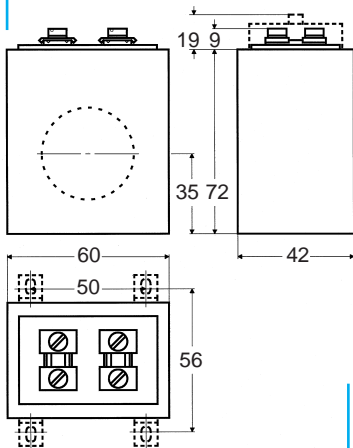
Burden in VA in class / Sec. current / Pricelist- and ordernumber

	Prim A	1/3		2			3			
		VA	1A	5A	VA	1A	5A	VA	1A	5A
Type P1 011-  for busbar 15x3 for cable ø 11	15							0.4	-1914	
	20							0.6	-2114	
	25				0.7	-2210	-2250	1	-2214	-2254
	30				1	-2310	-2350	1.5	-2314	-2354
	40				1.2	-2410	-2450	1.8	-2414	-2454
	50	0.8/1.5	-2510	-2550				2.5	-2514	-2554
	60	1/2	-2610	-2650						
	75	1.5/3	-2710	-2750						
	80	2/3.5	-2810	-2850						
	100	2/3.5	-2910	-2950						
Type P3 013-  for busbar 25x5 for cable ø 16	50	0.8/1.5	-2510	-2550						
	60	1/2	-2610	-2650						
	75	1.5/3	-2710	-2750						
	100	2/3.5	-2910	-2950						
	150	2.5/3.5	-3210	-3250						
	200	3.5/5	-3410	-3450						
	250	5/7.5	-3510	-3550						
	300	5/7.5	-3610	-3650						
	400	5/7.5	-3710	-3750						
	500	5/7.5	-3810	-3850						
600	7.5/10	-3910	-3950							
Type P23R 014-  for cable ø 23	50	0.8/1.5	-2510	-2550						
	60	1/2	-2610	-2650						
	75	1.5/3	-2710	-2750						
	100	2/3.5	-2910	-2950						
	150	2.5/3.5	-3210	-3250						
	200	3.5/5	-3410	-3450						
	250	5/7.5	-3510	-3550						
	300	5/7.5	-3610	-3650						
	400	5/7.5	-3710	-3750						
	500	5/7.5	-3810	-3850						
600	7.5/10	-3910	-3950							

<p>Accessories</p>	<p>2 fixing feet 4 fixing feet sealable secondary terminal cover special primary or secondary current</p>	<p>2A 4A HP on request</p>
	<p>1 busbar holder</p>	<p>1BP</p>
	<p>fastening clip for 35mm DIN rail, horizontal or vertical use</p>	<p>PP</p>

Type C..

Picture showing type C



Burden in VA in class / Sec. current / Pricelist- and ordernumber

	Prim A	0.5/1		1/3			3			
		VA	1A	5A	VA	1A	5A	VA	1A	5A
Type C 050- for busbar 30x10 for busbar 10x30 for cable ø 26	50							0.8	-2510	-2550
	60							1	-2610	-2650
	75							1.5	-2710	-2750
	80				1/2	-2810	-2850			
	100				1.5/3	-2910	-2950			
	120				2/3	-3010	-3050			
	125				2.5/3.5	-3110	-3150			
	150				3/5	-3210	-3250			
	200				3.5/5	-3410	-3450			
	250				3.5/5	-3510	-3550			
	300		3/5	-3610	-3650				5	-3614
400		3.5/5	-3710	-3750				7.5	-3714	-3754
500		5/7.5	-3810	-3850				10	-3814	-3854
600		5/10	-3910	-3950				15	-3914	-3954

Accessories	4 fixing feet secondary short circuiting piece sealable secondary terminal cover	4AD S HD
-------------	--	----------------

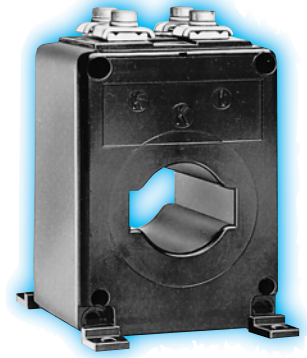
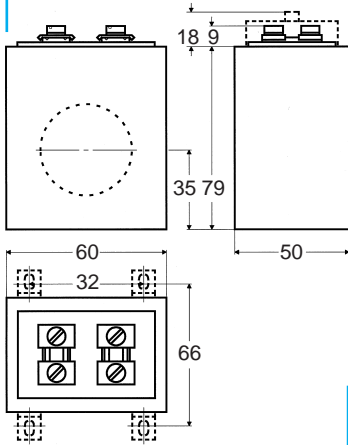
	1 busbar holder	1BC
--	-----------------	-----

	1 busbar/cable clamp	1DC
--	----------------------	-----

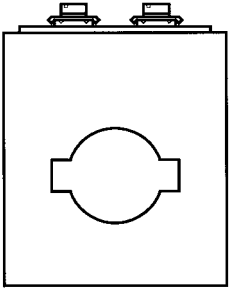
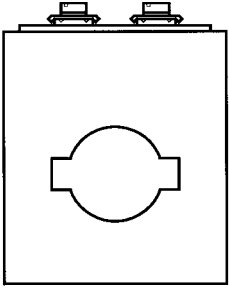
	special primary or secondary current	on request
--	--------------------------------------	------------

Type D..

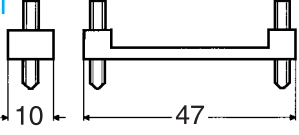
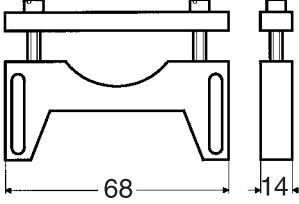
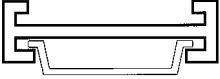
Picture showing type D30 with 4 fixing feet



Burden in VA in class / Sec. current / Pricelist- and ordernumber

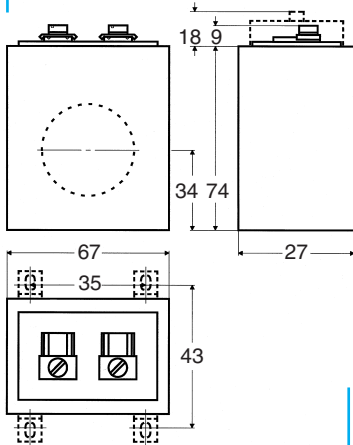
	Prim A	0.2S		0.2			0.5/1		
		VA	5A	VA	1A	5A	VA	1A	5A
Type D30 032-  for busbar 30x10 for cable ø 26	40						-/0.8	-2410	-2450
	50						-/1.2	-2510	-2550
	60						-/1.5	-2610	-2650
	80						1/2	-2810	-2850
	100						1.5/3	-2910	-2950
	125						1.5/3	-3110	-3150
	150						2.5/3.5	-3210	-3250
	200	1.5	B 3458	2	-3413	-3453	5/7.5	-3410	-3450
	200	2	C 3458	3	-E3413	-E3453			
	250	2	C 3558	2.5	-D3513	-D3553	5/7.5	-3510	-3550
	300	3	E 3658	3.5	-F3613	-F3653	7.5/10	-3610	-3650
	300	3.5	F 3658	5	-G3613	-G3653			
400	3.5	F 3758	5	-3713	-3753	7.5/10	-3710	-3750	
500	5	G 3858	5	-3813	-3853	7.5/10	-3810	-3850	
600	5	G 3958	5	-3913	-3953	10/15	-3910	-3950	
Type D40 031-  for busbar 40x10 for cable ø26	100						1/2.5	-2910	-2950
	150						2.5/5	-3210	-3250
	200	1.5	B 3458	2	-3413	-3453			
	200	2	C 3458	2.5	-D3413	-D3453	5/5	-3410	-3450
	250	2	C 3558	2.5	-D3513	-D3553	5/7.5	-3510	-3550
	300	2.5	D 3658	3	-E3613	-E3653	7.5/10	-3610	-3650
	400	3	E 3758	3.5	-3713	-3753	7.5/10	-3710	-3750
	500	5	G 3858	5	-3813	-3853	10/10	-3810	-3850
600	5	G 3958	5	-3913	-3953	10/15	-3910	-3950	

Type D30 also available as type D22R for cable 22mm

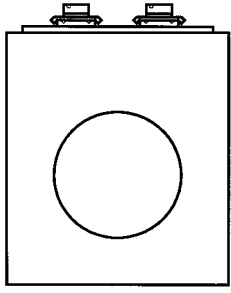
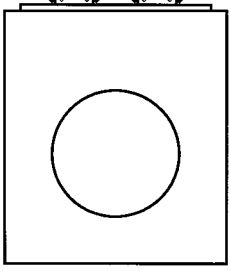
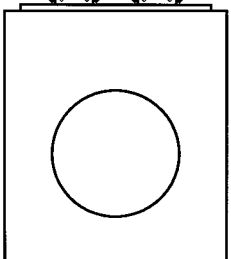
<p>Accessories</p>	<p>4 fixing feet secondary short circuiting piece sealable secondary terminal cover special primary or secondary current increased burden</p>	<p>4A S HD on request on request</p>
	<p>1 busbar holder</p>	<p>1BD</p>
	<p>1 busbar/cable clamp</p>	<p>1DD</p>
	<p>fastening clip for 35mm DIN rail, horizontal or vertical use</p>	<p>PD</p>

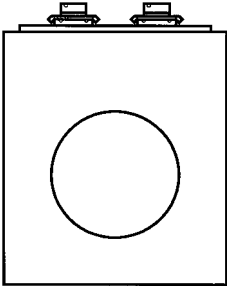
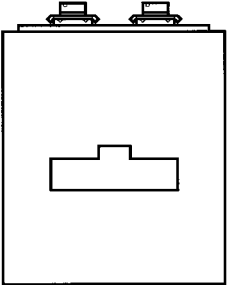
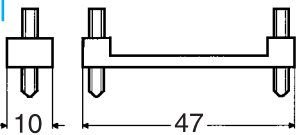
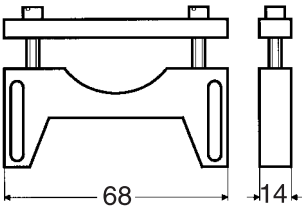
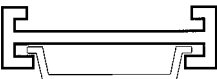
Type I..

Picture showing type I22 with 2 fixing feet



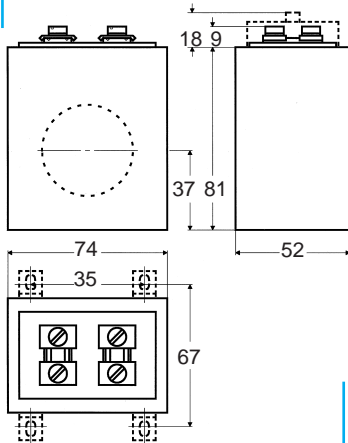
Burden in VA in class / Sec. current / Pricelist- and ordernumber

	Prim A	0.5/1		1/3		3				
		VA	1A	5A	VA	1A	5A	VA	1A	5A
Type I10 001-  for cable ø 10	25				-0.6	-2210				
	30				-1	-2310				
	40				-1.5	-2410				
	50				1.2/2.5	-2510	-2550			
Type I22 002-  for cable ø 22	40				-1	-2410	-2450			
	50				1/2	-2510	-2550			
	60				1/2	-2610	-2650			
	75				2/3.5	-2710	-2750			
	80				2/3.5	-2810	-2850			
	100	1.5/-	-2912	-2952	2.5/5	-2910	-2950			
	125	1.5/-	-3112	-3152	2.5/5	-3110	-3150			
	150	2/-	-3212	-3252	3.5/5	-3210	-3250			
	200	3/-	-3412	-3452	5/7.5	-3410	-3450			
	250	3.5/-	-3512	-3552	5/7.5	-3510	-3550			
	300	3.5/-	-3612	-3652	5/7.5	-3610	-3650			
	400	5/-	-3712	-3752	7.5/10	-3710	-3750			
500	5/-	-3812	-3852	7.5/10	-3810	-3850				
600	7.5/-	-3912	-3952	10/15	-3910	-3950				
Type I26 003-  for cable ø 26	100	1/-	-2912	-2952	2/3.5	-2910	-2950			
	150	1/-	-3212	-3252	2/3.5	-3210	-3250			
	200	2/-	-3412	-3452	3/5	-3410	-3450			
	250	2/-	-3512	-3552	3/5	-3510	-3550			
	300	3/-	-3612	-3652	3.5/5	-3610	-3650			
	400	3.5/-	-3712	-3752	5/7.5	-3710	-3750			
	500	5/-	-3812	-3852	5/7.5	-3810	-3850			
600	5/-	-3912	-3952	7.5/10	-3910	-3950				

Burden in VA in class / Sec. current / Pricelist- and ordernumber										
	Prim	0.5/1			1/3			3		
	A	VA	1A	5A	VA	1A	5A	VA	1A	5A
Type I41 004-  for cable ø 41	150 200 250 300 400 500				-1.5 1.5/2 2/2.5 3/3.5 3.5/5 5/7.5	-3210 -3410 -3510 -3610 -3710 -3810	-3250 -3450 -3550 -3650 -3750 -3850			
Type I30 005-  for busbar 30x10	100 125 150 200 250 300 400 500 600				2/3.5 2.5/5 2.5/5	-2910 -3110 -3210	-2950 -3150 -3250	-/5 -/5 -/7.5 -/10 -/10 -/10	-3414 -3514 -3614 -3714 -3814 -3914	-3454 -3554 -3654 -3754 -3854 -3954
Accessories	2 fixing feet 4 fixing feet sealable secondary terminal cover special primary or secondary current							2A 4A HI on request		
	1 busbar holder							1BI		
	1 busbar/cable clamp							1DI		
	fastening clip for 35mm DIN rail, horizontal or vertical use							PI		

Type G..

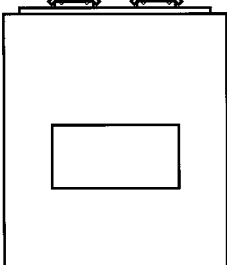
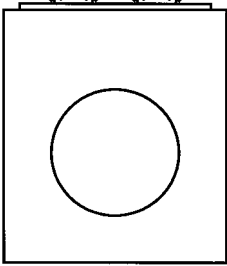
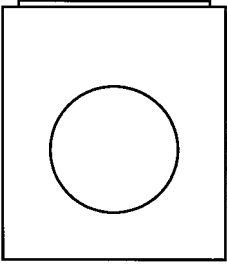
Picture showing type G33 with fixing feet

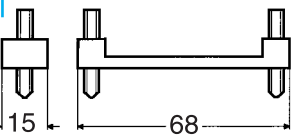
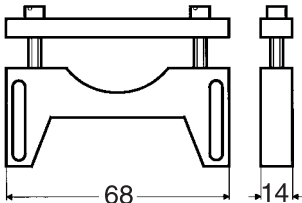
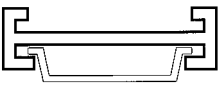


Burden in VA in class / Sec. current / Pricelist- and ordernumber

	Prim A	0.2S		0.2			0.5/1			
		VA	5A	VA	1A	5A	VA	1A	5A	
Type G33 024-										
 for cable ø33	100						1.5/2.5	-2910	-2950	
	125						2/3	-3110	-3150	
	150				1.5	-3213	-3253	3/5	-3210	-3250
	200	2	C 3458	2.5	-3413	-3453	5/7.5	-3410	-3450	
	250	2.5	D 3558	3	-3513	-3553	5/7.5	-3510	-3550	
	300	3	E 3658	5	-3613	-3653	7.5/10	-3610	-3650	
	400	3.5	F 3758	5	-3713	-3753	7.5/15	-3710	-3750	
	500	5	G 3858	5	-3813	-3853	10/15	-3810	-3850	
600	7.5	H 3958	7.5	-3913	-3953	10/15	-3910	-3950		
Type G41 025-										
 for cable ø41	100						-/2.5	-2910	-2950	
	150						1.5/3	-3210	-3250	
	200						2/3.5	-3410	-3450	
	250						2.5/3.5	-3510	-3550	
	300	2	C 3658	2.5	-3613	-3653	3.5/5	-3610	-3650	
	400	3	E 3758	3	-3713	-3753	5/7.5	-3710	-3750	
	500	5	G 3858	3.5	-3813	-3853	5/7.5	-3810	-3850	
	600	5	G 3958	5	-3913	-3953	7.5/10	-3910	-3950	
	750	7.5	H 4058	7.5	-4013	-4053	10/15	-4010	-4050	
	800	7.5	H 4158	7.5	-4113	-4153	10/15	-4110	-4150	
1000	10	I 4258	10	-4213	-4253	15/20	-4210	-4250		
Type GK 026-										
 for cable ø29 for busbar 40x10 / 30x15	100						-/2.5	-2910	-2950	
	125						-/2.5	-3110	-3150	
	150						1.5/3	-3210	-3250	
	200						2/3.5	-3410	-3450	
	250						2.5/3.5	-3510	-3550	
	300	2	C 3658	2.5	-3613	-3653	3.5/5	-3610	-3650	
	400	3	E 3758	3	-3713	-3753	5/7.5	-3710	-3750	
	500	5	G 3858	3.5	-3813	-3853	5/7.5	-3810	-3850	
	600	5	G 3958	5	-3913	-3953	7.5/10	-3910	-3950	
	750	7.5	H 4058	7.5	-4013	-4053	10/15	-4010	-4050	
800	7.5	H 4158	7.5	-4113	-4153	10/15	-4110	-4150		
1000	10	I 4258	10	-4213	-4253	15/20	-4210	-4250		

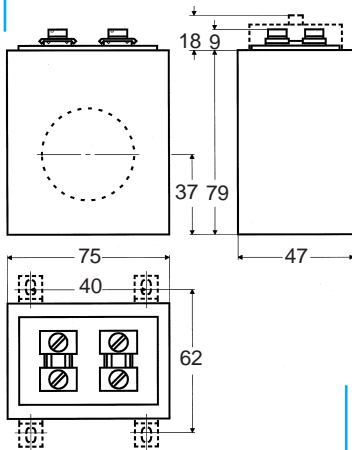
Burden in VA in class / Sec. current / Pricelist- and ordernumber

	Prim A	0.2S		0.2			0.5/1			
		VA	5A	VA	1A	5A	VA	1A	5A	
<p>Type G30/20 027-</p>  <p>for busbar 30x20</p>	100						-/2.5	-2910	-2950	
	125						-/2.5	-3110	-3150	
	150						1.5/3	-3210	-3250	
	200						2/3.5	-3410	-3450	
	250						2.5/3.5	-3510	-3550	
	300	2	C 3658		2.5	-3613	-3653	3.5/5	-3610	-3650
	400	3	E 3758		3	-3713	-3753	5/7.5	-3710	-3750
	500	5	G 3858		3.5	-3813	-3853	5/7.5	-3810	-3850
	600	5	G 3958		5	-3913	-3953	7.5/10	-3910	-3950
	750	7.5	H 4058		7.5	-4013	-4053	10/15	-4010	-4050
	800	7.5	H 4158		7.5	-4113	-4153	10/15	-4110	-4150
1000	10	I 4258		10	-4213	-4253	15/20	-4210	-4250	
<p>Type G22 022-</p>  <p>for cable ø22</p>	50									
	75									
	100									
	125									
	150	2	-3213	-3253	5/7.5	-3210	-3250	15	-3214	-3254
	200	3	-3413	-3453	7.5/15	-3410	-3450	25	-3414	-3454
<p>Type G22F 023-</p>  <p>for cable ø22 NB depth 79mm</p>	25						1.5	-2214	-2254	
	30						2	-2314	-2354	
	40						3	-2414	-2454	
	50						5	-2514	-2554	
	60						5	-2614	-2654	
	80						7.5	-2814	-2854	
	100						15	-2914	-2954	
	125						20	-3114	-3154	
	150	3.5	-3213	-3253	7.5/15	-3210	-3250	30	-3214	-3254
	200	5	-3413	-3453	10/20	-3410	-3450	40	-3414	-3454

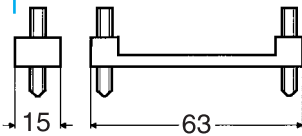
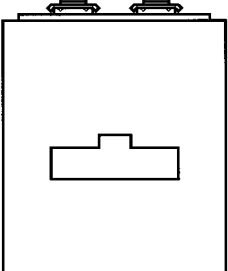
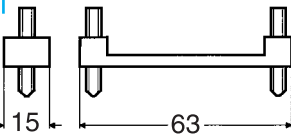
<p>Accessories</p>	<p>4 fixing feet secondary short circuiting piece sealable secondary terminal cover special primary or secondary current</p>	<p>4A S HG on request</p>
	<p>1 busbar holder</p>	<p>1BG</p>
	<p>1 busbar/cable clamp</p>	<p>1DG</p>
	<p>fastening clip for 35mm DIN rail, horizontal or vertical use</p>	<p>PG</p>

Type S..

Picture showing type S with sealable secondary terminal

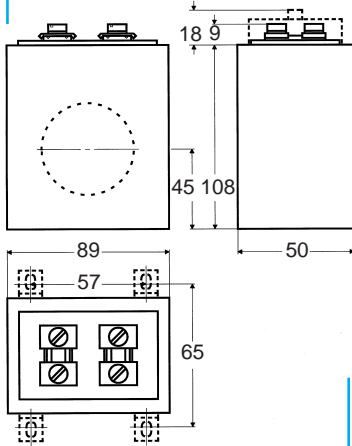


Burden in VA in class / Sec. current / Pricelist- and ordernumber

	Prim A	0.2		0.5/1			3				
		VA	1A	5A	VA	1A	5A	VA	1A	5A	
Type S 041-  for busbar 30x10 for cable ø 26	50							3	-2514	-2554	
	60							3.5	-2614	-2654	
	80				-1.5	-2810	-2850	5	-2814	-2854	
	100				-2.5	-2910	-2950	7.5	-2914	-2954	
	150				2.5/5	-3210	-3250	7.5	-3214	-3254	
	200	2	-3413	-3453	5/7.5	-3410	-3450	15	-3414	-3454	
	250	2.5	-3513	-3553	5/7.5	-3510	-3550	15	-3514	-3554	
	300	3.5	-3613	-3653	7.5/10	-3610	-3650	20	-3614	-3654	
Type S40 040-  for busbar 40x12	400	5	-3713	-3753	7.5/10	-3710	-3750	20	-3714	-3754	
	500	5	-3813	-3853	10/15	-3810	-3850	20	-3814	-3854	
	600	5	-3913	-3953	10/15	-3910	-3950	20	-3914	-3954	
	800	5	-4113	-4153	15/15	-4110	-4150	30	-4114	-4154	
	1000	7.5	-4213	-4253	20/20	-4210	-4250	30	-4214	-4254	
	Accessories 	4 fixing feet secondary short circuiting piece sealable secondary terminal cover special primary or secondary current							4A S HG on request		
		1 busbar holder							1BS		

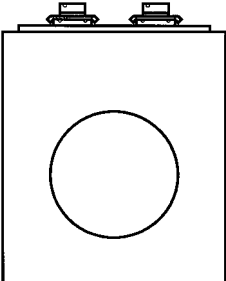
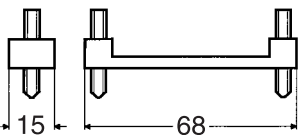
Type L..

Picture showing type L50/30



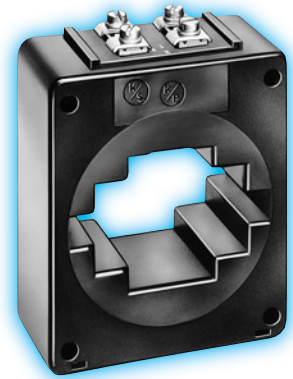
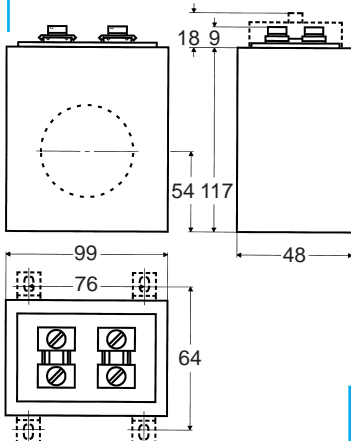
Burden in VA in class / Sec. current / Pricelist- and ordernumber

	Prim A	0.2S		0.2			0.5/1		
	VA	5A	VA	1A	5A	VA	1A	5A	
Type L50/20 064-	100					-/2	-2910	-2950	
	150					-/3	-3210	-3250	
	200					2.5/5	-3410	-3450	
	250					5/7.5	-3510	-3550	
	300					7.5/10	-3610	-3650	
	400	2	C 3758	3	-3713 -3753	10/15	-3710	-3750	
	500	3	E 3858	3.5	-3813 -3853	15/20	-3810	-3850	
	600	5	G 3958	5	-3913 -3953	15/20	-3910	-3950	
	750	5	G 4058	7.5	-4013 -4053	20/25	-4010	-4050	
	800	5	G 4158	7.5	-4113 -4153	20/25	-4110	-4150	
	1000	7.5	H 4258	10	-4213 -4253	30/30	-4210	-4250	
	1200	10	I 4358	10	-4313 -4353	30/30	-4310	-4350	
	1500	10	I 4558	15	-4513 -4553	30/40	-4510	-4550	
	1600	10	I 4658	15	-4613 -4653	30/40	-4610	-4650	
Type L50/30 065-	150					-/2	-3210	-3250	
	200					2.5/5	-3410	-3450	
	250					3/5	-3510	-3550	
	300					5/7.5	-3610	-3650	
	400	2	C 3758	3	-3713 -3753	10/15	-3710	-3750	
	500	3	E 3858	3.5	-3813 -3853	15/20	-3810	-3850	
	600	5	G 3958	5	-3913 -3953	15/20	-3910	-3950	
	750	5	G 4058	7.5	-4013 -4053	20/25	-4010	-4050	
	800	5	G 4158	7.5	-4113 -4153	20/25	-4110	-4150	
	1000	7.5	H 4258	10	-4213 -4253	30/30	-4210	-4250	
	1200	10	I 4358	10	-4313 -4353	30/30	-4310	-4350	
	1500	10	I 4558	15	-4513 -4553	30/40	-4510	-4550	
	1600	10	I 4658	15	-4613 -4653	30/40	-4610	-4650	
Type L60X 066-	150					-/2	-3210	-3250	
	200					2.5/5	-3410	-3450	
	250					3/5	-3510	-3550	
	300					5/7.5	-3610	-3650	
	400	2	C 3758	3	-3713 -3753	10/15	-3710	-3750	
	500	3	E 3858	3.5	-3813 -3853	15/20	-3810	-3850	
	600	5	G 3958	5	-3913 -3953	15/20	-3910	-3950	
	750	5	G 4058	7.5	-4013 -4053	20/25	-4010	-4050	
	800	5	G 4158	7.5	-4113 -4153	20/25	-4110	-4150	
	1000	7.5	H 4258	10	-4213 -4253	30/30	-4210	-4250	
	1200	10	I 4358	10	-4313 -4353	30/30	-4310	-4350	
	1500	10	I 4558	15	-4513 -4553	30/40	-4510	-4550	
	1600	10	I 4658	15	-4613 -4653	30/40	-4610	-4650	

Burden in VA in class / Sec. current / Pricelist- and ordernumber											
	Prim A	0.2			0.5/1			3			
		VA	1A	5A	VA	1A	5A	VA	1A	5A	
<p>Type L42R 060-</p>  <p>for cable ø 42 Note 1</p>	100				-/3.5	-2910	-2950	10	-2914	-2954	
	125				2/3.5	-3110	-3150	10	-3114	-3154	
	150				3/5	-3210	-3250	15	-3214	-3254	
	200				5/10	-3410	-3450	20	-3414	-3454	
	250				7.5/10	-3510	-3550	25	-3514	-3554	
	300	3.5	-3613	-3653	10/15	-3610	-3650	30	-3614	-3654	
	400	5	-3713	-3753	15/20	-3710	-3750	40	-3714	-3754	
	500	5	-3813	-3853	15/20	-3810	-3850	40	-3814	-3854	
	600	7.5	-3913	-3953	20/30	-3910	-3950	45	-3914	-3954	
	800	10	-4113	-4153	30/45	-4110	-4150	60	-4114	-4154	
	1000	7.5	-4213	-4253	25/40	-4210	-4250	50	-4214	-4254	
	1200	10	-4313	-4353	30/45	-4310	-4350	60	-4314	-4354	
	1500	15	-4513	-4553	30/45	-4510	-4550	60	-4514	-4554	
	<p>Note 1: Available as type L40 for busbar 40x10 and cable 33 mm Available as type L30/30 for busbar 40x15 and 30x30 mm</p> <p>Note 2: Available as type L50/15 for busbar 50x15 mm with different burden</p> <p>Note 3: Available as type L60/15 for busbar 60x15 mm with different burden Available as type L60Y, like L60X but with vertical slot</p> <p>Type L21R and L33R for cable 21 mm and 33 mm are special versions for precision measurement or increased burdens</p>										
	Accessories	4 fixing feet secondary short circuiting piece sealable secondary terminal cover							4A S HG		
	1 busbar holder							1BL			
special primary or secondary current two or three ratios, secondary change increased burden							on request on request on request				

Type N..

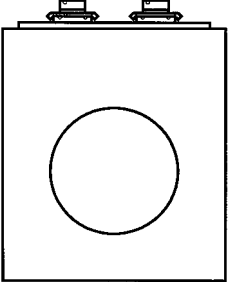
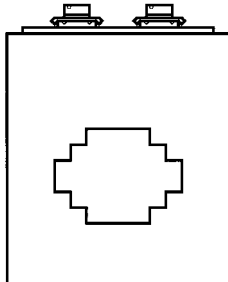
Picture showing type N



Burden in VA in class / Sec. current / Pricelist- and ordernumber

	Prim A	0.2S		0.2			0.5/1			
		VA	5A	VA	1A	5A	VA	1A	5A	
Type N50/10 071- for busbar 50x10	100						-3.5	-2910	-2950	
	150						3/5	-3210	-3250	
	200				3	-3413	-3453	5/10	-3410	-3450
	250				3.5	-3513	-3553	7.5/15	-3510	-3550
	300	2	C 3658	5	-3613	-3653	10/15	-3610	-3650	
	400	3	E 3758	5	-3713	-3753	15/20	-3710	-3750	
	500	3	E 3858	7.5	-3813	-3853	20/25	-3810	-3850	
	600	5	G 3958	7.5	-3913	-3953	20/30	-3910	-3950	
	750	5	G 4058	7.5	-4013	-4053	20/30	-4010	-4050	
800	5	G 4158	7.5	-4113	-4153	20/30	-4110	-4150		
Type N60/30 072- for busbar 60x30	200						-/3	-3410	-3450	
	250						2.5/3.5	-3510	-3550	
	300						3/5	-3610	-3650	
	400				3	-3713	-3753	5/7.5	-3710	-3750
	500				3.5	-3813	-3853	7.5/10	-3810	-3850
	600	3	E 3958	5	-3913	-3953	10/15	-3910	-3950	
	750	5	G 4058	7.5	-4013	-4053	15/20	-4010	-4050	
	800	5	G 4158	7.5	-4113	-4153	15/20	-4110	-4150	
	1000	5	G 4258	7.5	-4213	-4253	20/25	-4210	-4250	
	1200	7.5	H 4358	7.5	-4313	-4353	20/25	-4310	-4350	
	1500	10	I 4558	10	-4513	-4553	25/40	-4510	-4550	
	1600	10	I 4658	10	-4613	-4653	25/40	-4610	-4650	
	1800	10	I 4758	15	-4713	-4753	30/45	-4710	-4750	
2000	15	L 4858	15	-4813	-4853	30/45	-4810	-4850		
2500	15	L 4958	15	-4913	-4953	30/45	-4910	-4950		
Type N75/30 074 for busbar 75x30	400			3	-3713	-3753	7.5/10	-3710	-3750	
	500			3.5	-3813	-3853	7.5/15	-3810	-3850	
	600	3	E 3958	5	-3913	-3953	10/15	-3910	-3950	
	750	5	G 4058	7.5	-4013	-4053	10/15	-4010	-4050	
	800	5	G 4158	7.5	-4113	-4153	10/15	-4110	-4150	
	1000	5	G 4258	7.5	-4213	-4253	15/20	-4210	-4250	
	1200	7.5	H 4358	7.5	-4313	-4353	15/20	-4310	-4350	
	1500	10	I 4558	10	-4513	-4553	20/25	-4510	-4550	
	1600	10	I 4658	10	-4613	-4653	20/25	-4610	-4650	
	1800	10	I 4758	15	-4713	-4753	20/25	-4710	-4750	
	2000	15	L 4858	15	-4813	-4853	20/25	-4810	-4850	
2500	15	L 4958	15	-4913	-4953	30/40	-4910	-4950		
3000	15	L 5058	15	-5013	-5053	30/40	-5010	-5050		

Burden in VA in class / Sec. current / Pricelist- and ordernumber

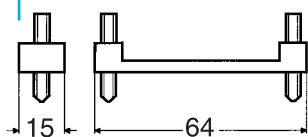
	Prim A	0.2			0.5/1			3		
		VA	1A	5A	VA	1A	5A	VA	1A	5A
Type N33R 073-  for cable ø 33	100				5/7.5	-2910	-2950	10	-2914	-2954
	150				7.5/10	-3210	-3250	20	-3214	-3254
	200	5	-3413	-3453	15/25	-3410	-3450	35	-3414	-3454
	250	5	-3513	-3553	15/25	-3510	-3550	35	-3514	-3554
	300	7.5	-3613	-3653	20/30	-3610	-3650	40	-3614	-3654
Type N 070-  for busbar 80x10 60x33 33x50	200				-/3.5	-3410	-3450	5	-3414	-3454
	250				3/5	-3510	-3550	7.5	-3514	-3554
	300				5/7.5	-3610	-3650	10	-3614	-3654
	400	3	-3713	-3753	7.5/10	-3710	-3750	15	-3714	-3754
	500	3.5	-3813	-3853	7.5/15	-3810	-3850	20	-3814	-3854
	600	3.5	-3913	-3953	10/15	-3910	-3950	20	-3914	-3954
	800	5	-4113	-4153	10/15	-4110	-4150	20	-4114	-4154
	1000	7.5	-4213	-4253	15/20	-4210	-4250	25	-4214	-4254
	1200	7.5	-4313	-4353	15/20	-4310	-4350	25	-4314	-4354
	1500	10	-4513	-4553	20/25	-4510	-4550	30	-4514	-4554
	1600	10	-4613	-4653	20/25	-4610	-4650	30	-4614	-4654
	1800	10	-4713	-4753	20/25	-4710	-4750	30	-4714	-4754
	2000	10	-4813	-4853	20/25	-4810	-4850	30	-4814	-4854
	2500	15	-4913	-4953	30/40	-4910	-4950	45	-4914	-4954
3000	15	-5013	-5053	30/40	-5010	-5050	45	-5014	-5054	

Available as type N50/42R for busbar 50x10mm and for cable 40mm Ø with decreased burden.

Accessories

4 fixing feet
 secondary short circuiting piece
 sealable secondary terminal cover

4A
 S
 HG



1 busbar holder

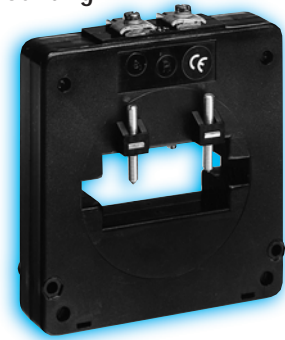
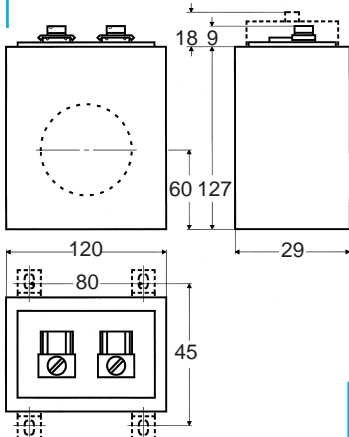
1BN

special primary or secondary current
 two or three ratios, secondary change
 increased burden

on request
 on request
 on request

Type M..0

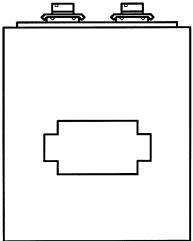
Picture showing type MS-0 with 4 screws for busbar mounting



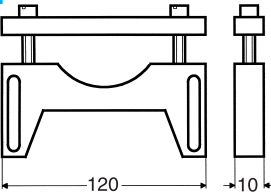
Burden in VA in class / Sec. current / Pricelist- and ordernumber

	Prim A	0.2		0.5/1			3			
		VA	1A	5A	VA	1A	5A	VA	1A	5A
Type M42R0 140-	60				-/1	-2610	-2650	2.5	-2614	-2654
	80				-/1.5	-2810	-2850	3.5	-2814	-2854
	100				-/2.5	-2910	-2950	5	-2914	-2954
	150				-/5	-3210	-3250	7.5	-3214	-3254
	200				3.5/7.5	-3410	-3450	10	-3414	-3454
	300				5/10	-3610	-3650	20	-3614	-3654
	400	3.5	-3713	-3753	7.5/15	-3710	-3750	25	-3714	-3754
	500	5	-3813	-3853	10/20	-3810	-3850	30	-3814	-3854
	600	7.5	-3913	-3953	15/25	-3910	-3950	40	-3914	-3954
	800	10	-4113	-4153	20/40	-4110	-4150	60	-4114	-4154
	1000	10	-4213	-4253	30/45	-4210	-4250	75	-4214	-4254
	1200	15	-4313	-4353	40/60	-4310	-4350	80	-4314	-4354
Type M62R0 160-	300				3/7.5	-3610	-3650	10	-3614	-3654
	400				5/10	-3710	-3750	15	-3714	-3854
	500				7.5/15	-3810	-3850	20	-3814	-3854
	600	3	-3913	-3953	10/15	-3910	-3950	20	-3914	-3954
	800	5	-4113	-4153	15/20	-4110	-4150	25	-4114	-4154
	1000	7.5	-4213	-4253	15/20	-4210	-4250	30	-4214	-4254
	1200	7.5	-4313	-4353	20/30	-4310	-4350	30	-4314	-4354
	1500	7.5	-4513	-4553	25/40	-4510	-4550	45	-4514	-4554
	2000	10	-4813	-4853	30/50	-4810	-4850	60	-4814	-4854
Type M82R0 180-	400				-/3.5	-3710	-3750	5	-3714	-3754
	500				2.5/5	-3810	-3850	7.5	-3814	-3854
	600				3.5/5	-3910	-3950	7.5	-3914	-3954
	800				5/7.5	-4110	-4150	10	-4114	-4154
	1000				7.5/10	-4210	-4250	15	-4214	-4254
	1200				10/15	-4310	-4350	15	-4314	-4354
	1500				10/15	-4510	-4550	20	-4514	-4554
	2000				15/20	-4810	-4850	25	-4814	-4854

Burden in VA in class / Sec. current / Pricelist- and ordernumber

	Prim	1			
	A	VA	1A		
<p>Type MS-0 173-</p>  <p>for busbar 80x10 / 60x30</p>	300	5	G 3611	G 3651	
	400	5	G 3711	G 3751	
	500	5	G 3811	G 3851	
	600	5	G 3911	G 3951	
	800	7.5	H 4111	H 4151	
	1000	10	I 4211	I 4251	
	1200	15	L 4311	L 4351	
	1500	15	L 4511	L 4551	
	1600	15	L 4611	L 4651	
	2000	20	N 4811	N 4851	

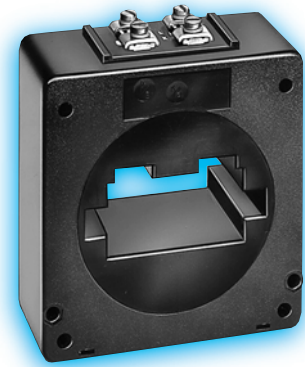
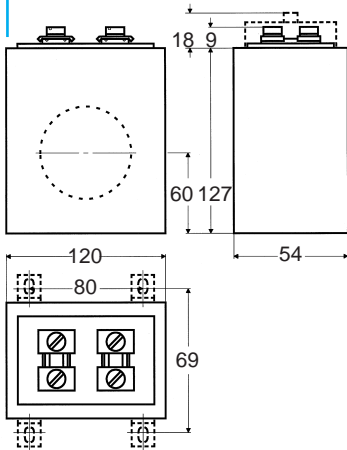
Accessories	<p>4 fixing feet</p> <p>sealable secondary terminal cover</p>	<p>4A</p> <p>HI</p>
--------------------	---	---------------------

	<p>1 busbar/cable clamp</p> <p>(for type M42R0, M62R0 and M82R0 only)</p>	<p>1DM</p>
--	---	------------

	<p>special primary or secondary current</p>	<p>on request</p>
--	---	-------------------

Type M..2

Picture showing type MS-2



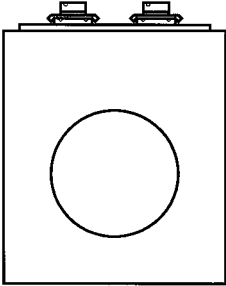
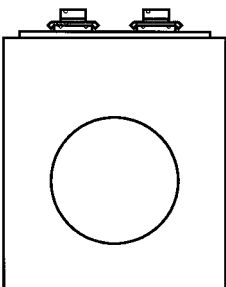
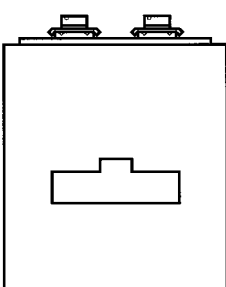
Burden in VA in class / Sec. current / Pricelist- and ordernumber

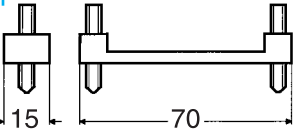
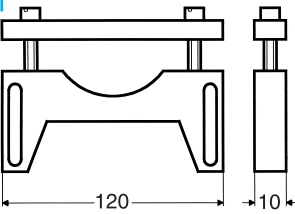
	Prim A	0.2S		0.2		0.5/1			
		VA	5A	VA	1A	5A	VA	1A	5A
Type MS-2 172- for busbar 80x10 / 60x30	400			5	-3713	-3753	7.5/10	-3710	-3750
	500	3	E 3858	5	-3813	-3853	7.5/10	-3810	-3850
	600	3.5	F 3958	5	-3913	-3953	10/15	-3910	-3950
	750	5	G 4058	5	-4013	-4053	10/15	-4010	-4050
	800	5	G 4158	7.5	-4113	-4153	15/20	-4110	-4150
	1000	7.5	H 4258	10	-4213	-4253	15/20	-4210	-4250
	1200	10	I 4358	15	-4313	-4353	25/30	-4310	-4350
	1500	15	L 4558	15	-4513	-4553	30/40	-4510	-4550
	1600	15	L 4658	15	-4613	-4653	30/40	-4610	-4650
	2000	20	N 4858	20	-4813	-4853	35/50	-4810	-4850
	2500	20	N 4958	30	-4913	-4953	35/50	-4910	-4950
3000			30	-5013	-5053	35/50	-5010	-5050	
Type M80/30 178- for busbar 80x30	400			5	-3713	-3753	7.5/10	-3710	-3750
	500	3	E 3858	5	-3813	-3853	7.5/10	-3810	-3850
	600	3.5	F 3958	5	-3913	-3953	10/15	-3910	-3950
	750	5	G 4058	5	-4013	-4053	10/15	-4010	-4050
	800	5	G 4158	7.5	-4113	-4153	15/20	-4110	-4150
	1000	7.5	H 4258	10	-4213	-4253	15/20	-4210	-4250
	1200	10	I 4358	15	-4313	-4353	25/30	-4310	-4350
	1500	15	L 4558	15	-4513	-4553	30/40	-4510	-4550
	1600	15	L 4658	15	-4613	-4653	30/40	-4610	-4650
	2000	20	N 4858	20	-4813	-4853	35/50	-4810	-4850
	2500	20	N 4958	30	-4913	-4953	35/50	-4910	-4950
Type M82R2 182- for cable ø 82	400			5	-3713	-3753	7.5/10	-3710	-3750
	500	3	E 3858	5	-3813	-3853	7.5/10	-3810	-3850
	600	3.5	F 3958	5	-3913	-3953	10/15	-3910	-3950
	750	5	G 4058	7.5	-4013	-4053	10/15	-4010	-4050
	800	5	G 4158	7.5	-4113	-4153	15/20	-4110	-4150
	1000	7.5	H 4258	10	-4213	-4253	15/20	-4210	-4250
	1200	10	I 4358	15	-4313	-4353	25/30	-4310	-4350
	1500	15	L 4558	15	-4513	-4553	30/40	-4510	-4550
	1600	15	L 4658	15	-4613	-4653	30/40	-4610	-4650
	2000	20	N 4858	20	-4813	-4853	35/50	-4810	-4850
	2500	20	N 4958	20	-4813	-4853	30/50	-4810	-4850

Also available as:

No.	Type	Cable	Busbar
152	M52R2	ø52	50x10
175	M50/30		50x30
177	M75/42		75x42

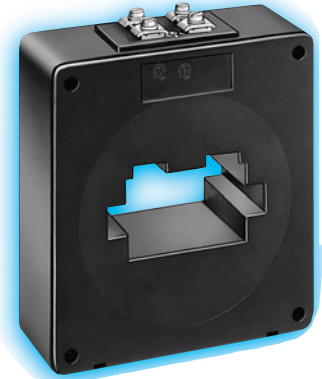
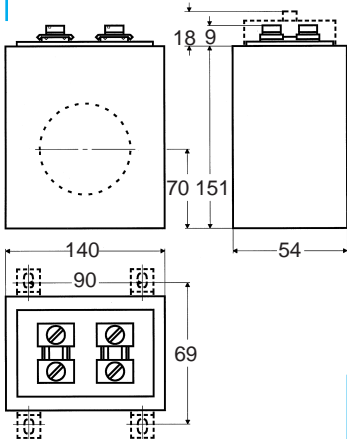
Burden in VA in class / Sec. current / Pricelist- and ordernumber

	Prim A	0.2			0.5/1			3		
		VA	1A	5A	VA	1A	5A	VA	1A	5A
Type M42R2 142-										
 for cable ø42	50				-/2	-2510	-2550	3.5	-2514	-2554
	60				-/2.5	-2610	-2650	5	-2614	-2654
	80				-/3.5	-2810	-2850	7.5	-2814	-2854
	100				2.5/5	-2910	-2950	10	-2914	-2954
	150				5/7.5	-3210	-3250	20	-3214	-3254
	200				10/15	-3410	-3450	30	-3414	-3454
	250	3.5	-3513	-3553	10/20	-3510	-3550	40	-3514	-3554
	300	5	-3613	-3653	15/25	-3610	-3650	45	-3614	-3654
	400	7.5	-3713	-3753	20/40	-3710	-3750	50	-3714	-3754
	500	10	-3813	-3853	25/45	-3810	-3850	60	-3814	-3854
	600	10	-3913	-3953	30/60	-3910	-3950	60	-3914	-3954
	800	15	-4113	-4153	45/60	-4110	-4150	80	-4114	-4154
	1000	20	-4213	-4253	50/75	-4210	-4250	100	-4214	-4254
1200	25	-4313	-4353	50/75	-4310	-4350	120	-4314	-4354	
Type M62R2 162-										
 for cable ø62	100				-/3	-2910	-2950	5	-2914	-2954
	150				2.5/5	-3210	-3250	10	-3214	-3254
	200				7.5/10	-3410	-3450	20	-3414	-3454
	250				7.5/15	-3510	-3550	25	-3514	-3554
	300	5	-3613	-3653	10/20	-3610	-3650	30	-3614	-3654
	400	5	-3713	-3753	15/25	-3710	-3750	45	-3714	-3754
	500	7.5	-3813	-3853	15/30	-3810	-3850	50	-3814	-3854
	600	7.5	-3913	-3953	20/40	-3910	-3950	50	-3914	-3954
	800	10	-4113	-4153	25/45	-4110	-4150	60	-4114	-4154
	1000	15	-4213	-4253	30/45	-4210	-4250	80	-4214	-4254
	1200	20	-4313	-4353	40/50	-4310	-4350	100	-4314	-4354
	1500	25	-4513	-4553	50/60	-4510	-4550	100	-4514	-4554
	2000	25	-4813	-4853	60/75	-4810	-4850	120	-4814	-4854
Type MG-2 192-										
 for busbar 60x15	100				-/3	-2910	-2950	5	-2914	-2954
	150				2.5/5	-3210	-3250	10	-3214	-3254
	200				5/10	-3410	-3450	20	-3414	-3454
	250				7.5/15	-3510	-3550	25	-3514	-3554
	300	5	-3613	-3653	10/20	-3610	-3650	30	-3614	-3654
	400	5	-3713	-3753	15/25	-3710	-3750	45	-3714	-3754
	500	7.5	-3813	-3853	15/30	-3810	-3850	50	-3814	-3854
	600	7.5	-3913	-3953	20/40	-3910	-3950	50	-3914	-3954
	800	10	-4113	-4153	25/45	-4110	-4150	60	-4114	-4154
	1000	15	-4213	-4253	30/45	-4210	-4250	80	-4214	-4254
	1200	20	-4313	-4353	40/50	-4310	-4350	100	-4314	-4354
	1500	25	-4513	-4553	50/60	-4510	-4550	100	-4514	-4554
	2000	25	-4813	-4853	60/75	-4810	-4850	120	-4814	-4854

<p>Accessories</p>	<p>4 fixing feet secondary short circuiting piece sealable secondary terminal cover special primary or secondary current two or three ratios, secondary change increased burden</p>	<p>4A S HG on request on request on request</p>
	<p>1 busbar holder (for type MG-2) 2 busbar holders (for type MS-2 and M80/30)</p>	<p>1BM 2BM</p>
	<p>1 busbar/cable clamp 2 busbar/cable clamps</p>	<p>1DM 2DM</p>

Type K..

Picture showing type K80K

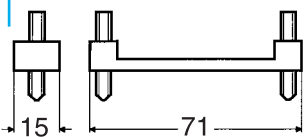
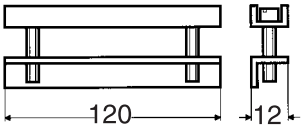


Burden in VA in class / Sec. current / Pricelist- and ordernumber

	Prim A	0.2S		0.2			0.5/1		
		VA	5A	VA	1A	5A	VA	1A	5A
Type K80K 102- for busbar 80x12 / 60x36	400	3	E 3758	7.5	-3713	-3753	10/15	-3710	-3750
	500	5	G 3858	7.5	-3813	-3853	10/15	-3810	-3850
	600	5	G 3958	7.5	-3913	-3953	15/20	-3910	-3950
	800	5	G 4158	10	-4113	-4153	20/25	-4110	-4150
	1000	5	G 4258	15	-4213	-4253	20/25	-4210	-4250
	1200	5	G 4358	15	-4313	-4353	25/30	-4310	-4350
	1500	7.5	H 4558	20	-4513	-4553	30/40	-4510	-4550
	1600	7.5	H 4658	20	-4613	-4653	30/40	-4610	-4650
	2000	10	I 4858	30	-4813	-4853	50/60	-4810	-4850
	2500	15	L 4958	40	-4913	-4953	60/75	-4910	-4950
3000	15	L 5058	50	-5013	-5053	75/90	-5010	-5050	
Type K100K 100- for busbar 100x10 / 80x60	400			5	-3713	-3753	7.5/10	-3710	-3750
	500			5	-3813	-3853	7.5/10	-3810	-3850
	600			5	-3913	-3953	10/15	-3910	-3950
	800	5	G 4158	7.5	-4113	-4153	15/20	-4110	-4150
	1000	5	G 4258	10	-4213	-4253	15/20	-4210	-4250
	1200	5	G 4358	10	-4313	-4353	20/30	-4310	-4350
	1500	7.5	H 4558	15	-4513	-4553	25/40	-4510	-4550
	1600	7.5	H 4658	15	-4613	-4653	25/40	-4610	-4650
	2000	10	I 4858	25	-4813	-4853	30/45	-4810	-4850
	2500	15	L 4958	30	-4913	-4953	40/60	-4910	-4950
3000	15	L 5058	30	-5013	-5053	45/60	-5010	-5050	
Type K100/50 104- for busbar 100x50	600						7.5/10	-3910	-3950
	800						10/15	-4110	-4150
	1000	5	G 4258	10	-4213	-4253	20/30	-4210	-4250
	1200	5	G 4358	10	-4313	-4353	20/30	-4310	-4350
	1500	7.5	H 4558	15	-4513	-4553	30/45	-4510	-4550
	1600	10	I 4658	15	-4613	-4653	30/45	-4610	-4650
	2000	10	I 4858	20	-4813	-4853	45/60	-4810	-4850
	2500	15	L 4958	25	-4913	-4953	50/60	-4910	-4950
	3000	15	L 5058	30	-5013	-5053	60/75	-5010	-5050

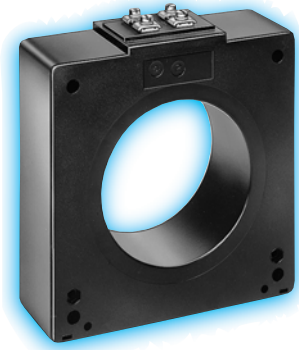
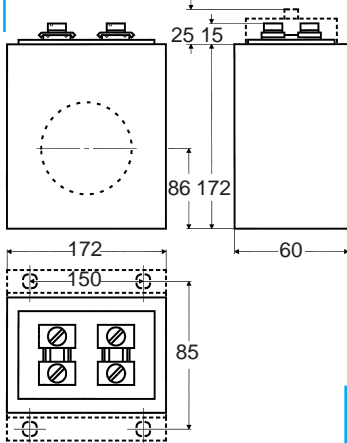
Also available as:

No.	Type	Cable	Busbar
101	K87R	ø87	
105	K80/30		80x30
106	K100/30		100x30

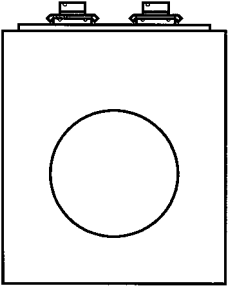
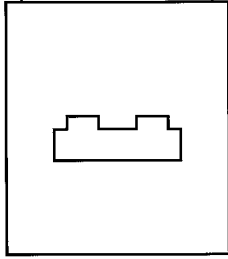
<p>Accessories</p>	<p>4 fixing feet secondary short circuiting piece sealable secondary terminal cover</p>	<p>4A S HG</p>
	<p>2 busbar holders (for type K80K and K100K only)</p>	<p>2BK</p>
	<p>1 busbar clamp (for type K100K only) 2 busbar clamps (for type K100K only)</p> <p>type K100/50 is as standard delivered with one built on busbar clamp</p> <p>2 built on busbar clamps</p>	<p>1CK 2CK</p> <p>2CKF</p>
	<p>special primary or secondary current two or three ratios, secondary change increased burden</p>	<p>on request on request on request</p>

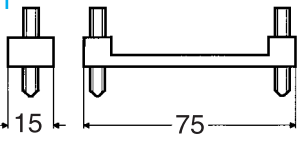
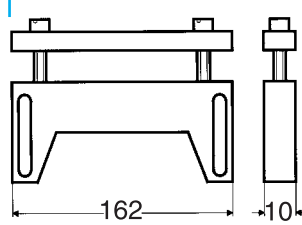
Type H..

Picture showing type H102R2



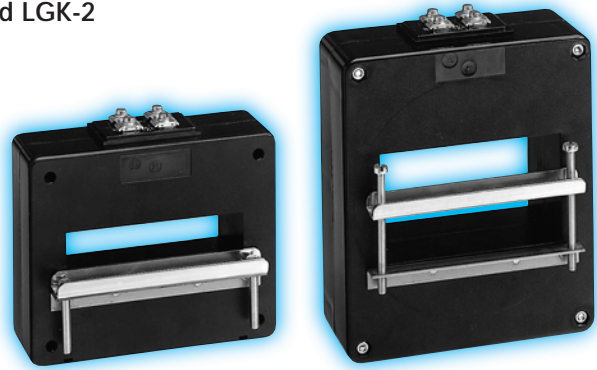
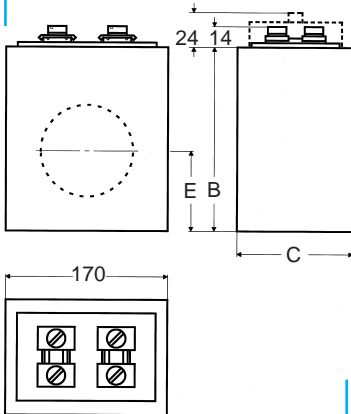
Burden in VA in class / Sec. current / Pricelist- and ordernumber

	Prim A	0.2		0.5/1			3			
		VA	1A	5A	VA	1A	5A	VA	1A	5A
Type H115R2 552-										
 for cable ø115	150							5	-3214	-3254
	200				-/5	-3410	-3450	10	-3414	-3454
	250				-/5	-3510	-3550	15	-3514	-3554
	300				-/7.5	-3610	-3650	15	-3614	-3654
	400				3.5/7.5	-3710	-3750	20	-3714	-3754
	500	3	-3813	-3853	5/10	-3810	-3850	20	-3814	-3854
	600	5	-3913	-3953	7.5/15	-3910	-3950	25	-3914	-3954
	800	7.5	-4113	-4153	10/20	-4110	-4150	30	-4114	-4154
	1000	10	-4213	-4253	15/25	-4210	-4250	30	-4214	-4254
	1200	10	-4313	-4353	15/30	-4310	-4350	45	-4314	-4354
	1500	15	-4513	-4553	25/40	-4510	-4550	60	-4514	-4554
	1600	20	-4613	-4653	30/45	-4610	-4650	60	-4614	-4654
2000	25	-4813	-4853	40/50	-4810	-4850	75	-4814	-4854	
2500	30	-4913	-4953	50/60	-4910	-4950	75	-4914	-4954	
3000	30	-5013	-5053	60/75	-5010	-5050	80	-5014	-5054	
4000	45	-5213	-5253	75/90	-5210	-5250	100	-5214	-5254	
Type H100/30 572-										
 for busbar 100x30	150							5	-3214	-3254
	200				-/5	-3410	-3450	10	-3414	-3454
	250				-/5	-3510	-3550	15	-3514	-3554
	300				-/7.5	-3610	-3650	15	-3614	-3654
	400				3.5/7.5	-3710	-3750	20	-3714	-3754
	500	3	-3813	-3853	5/10	-3810	-3850	20	-3814	-3854
	600	5	-3913	-3953	7.5/15	-3910	-3950	25	-3914	-3954
	800	7.5	-4113	-4153	10/20	-4110	-4150	30	-4114	-4154
	1000	10	-4213	-4253	15/25	-4210	-4250	30	-4214	-4254
	1200	10	-4313	-4353	15/30	-4310	-4350	45	-4314	-4354
	1500	15	-4513	-4553	25/40	-4510	-4550	60	-4514	-4554
	1600	20	-4613	-4653	30/45	-4610	-4650	60	-4614	-4654
2000	25	-4813	-4853	40/50	-4810	-4850	75	-4814	-4854	
2500	30	-4913	-4953	50/60	-4910	-4950	75	-4914	-4954	
3000	30	-5013	-5053	60/75	-5010	-5050	80	-5014	-5054	
4000	45	-5213	-5253	75/90	-5210	-5250	100	-5214	-5254	

	<p>Also available as:</p> <table border="1"> <thead> <tr> <th>No</th> <th>Type</th> <th>Cable</th> </tr> </thead> <tbody> <tr> <td>512-</td> <td>H42R-</td> <td>ø42</td> </tr> <tr> <td>522-</td> <td>H62R-</td> <td>ø62</td> </tr> <tr> <td>532-</td> <td>H82R-</td> <td>ø82</td> </tr> <tr> <td>542-</td> <td>H87R-</td> <td>ø87</td> </tr> <tr> <td>592-</td> <td>H102R-</td> <td>ø102</td> </tr> </tbody> </table>	No	Type	Cable	512-	H42R-	ø42	522-	H62R-	ø62	532-	H82R-	ø82	542-	H87R-	ø87	592-	H102R-	ø102	
No	Type	Cable																		
512-	H42R-	ø42																		
522-	H62R-	ø62																		
532-	H82R-	ø82																		
542-	H87R-	ø87																		
592-	H102R-	ø102																		
Accessories	<p>fixing brackets secondary short circuiting piece secondary terminal cover</p>	<p>FH S HG</p>																		
	<p>2 busbar holders (for type H100/30 only)</p>	<p>2BH</p>																		
	<p>1 busbar clamp 2 busbar clamps</p>	<p>1CH 2CH</p>																		
	<p>special primary or secondary current two or three ratios, secondary change increased burden</p>	<p>on request on request on request</p>																		
	<p>for further details on type H.. , please refer to page 5.51.a</p>																			

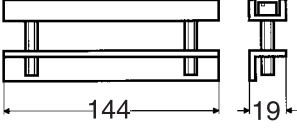
Type LGK

Picture showing type LGK and LGK-2



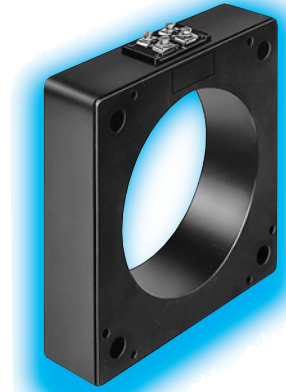
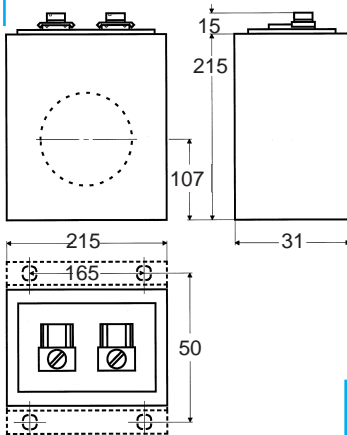
Burden in VA in class / Sec. current / Pricelist- and ordernumber

	Prim A	0.2S		0.2			0.5/1			
		VA	5A	VA	1A	5A	VA	1A	5A	
<p>Type LGK 110-</p> <p>for busbar 120x35 B = 142 C = 54 E = 71</p>	250						-/5	-3510	-3550	
	300						-/7.5	-3610	-3650	
	400						3.5/7.5	-3710	-3750	
	500						5/10	-3810	-3850	
	600				5	-3913	-3953	7.5/15	-3910	-3950
	800				7.5	-4113	-4153	10/20	-4110	-4150
	1000				7.5	-4213	-4253	10/25	-4210	-4250
	1200				10	-4313	-4353	15/30	-4310	-4350
	1500	5	G 4558	15	-4513	-4553	25/40	-4510	-4550	
	1600	5	G 4658	15	-4613	-4653	25/40	-4610	-4650	
	2000	7.5	H 4858	20	-4813	-4853	40/50	-4810	-4850	
2500	7.5	H 4958	25	-4913	-4953	45/60	-4910	-4950		
3000	10	I 5058	30	-5013	-5053	50/75	-5010	-5050		
4000	10	I 5258	30	-5213	-5253	60/75	-5210	-5250		
	Prim A	VA	0.2 1A	5A	VA	0.5/1 1A	5A	VA	3 1A	5A
<p>Type LGK-2 112-</p> <p>for busbar 120x70 B = 202 C = 70 E = 101</p>	400				3.5/7.5	-3710	-3750	25	-3714	-3754
	500				5/10	-3810	-3850	30	-3814	-3854
	600	5	-3913	-3953	10/20	-3910	-3950	40	-3914	-3954
	800	7.5	-4113	-4153	20/30	-4110	-4150	50	-4114	-4154
	1000	10	-4213	-4253	20/30	-4210	-4250	60	-4214	-4254
	1200	10	-4313	-4353	25/45	-4310	-4350	60	-4314	-4354
	1500	20	-4513	-4553	30/60	-4510	-4550	75	-4514	-4554
	2000	25	-4813	-4853	30/60	-4810	-4850	80	-4814	-4854
	2500	30	-4913	-4953	40/75	-4910	-4950	90	-4914	-4954
	3000	40	-5013	-5053	50/80	-5010	-5050	100	-5014	-5054
	4000				60/100	-5210	-5250	120	-5214	-5254
5000				60/100	-5410	-5450	120	-5414	-5454	
6000				75/120	-5510	-5550	120	-5514	-5554	
8000				90/150		-5950	180		-5954	

<p>Accessories</p>	<p>type LGK and LGK-2 are as standard delivered with one busbar clamp (see photo)</p>	
	<p>2 busbar clamps</p>	<p>2CLGK</p>
	<p>secondary short circuiting piece sealable secondary terminal cover</p>	<p>S HG</p>
	<p>two or three ratios, secondary change special primary or secondary current increased burden</p>	<p>on request on request on request</p>

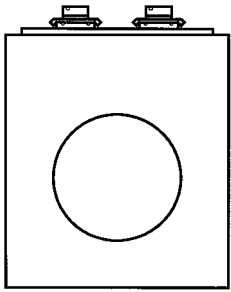
Type F..0

Picture showing type F155R0



Burden in VA in class / Sec. current / Pricelist- and ordernumber

Prim A	0.2		0.5/1			3			
	VA	1A	5A	VA	1A	5A	VA	1A	5A
Type F155R0 250-									
1000				7.5/10	-4210	-4250	15	-4214	-4254
1200				7.5/10	-4310	-4350	15	-4314	-4354
1500	5	-4513	-4553	10/20	-4510	-4550	25	-4514	-4554
1600	5	-4613	-4653	10/20	-4610	-4650	25	-4614	-4654
1800	7.5	-4713	-4753	10/20	-4710	-4750	25	-4714	-4754
2000	7.5	-4813	-4853	15/25	-4810	-4850	30	-4814	-4854
2500	10	-4913	-4953	20/30	-4910	-4950	40	-4914	-4954
3000	15	-5013	-5053	25/40	-5010	-5050	50	-5014	-5054



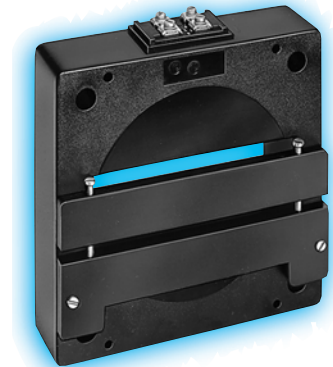
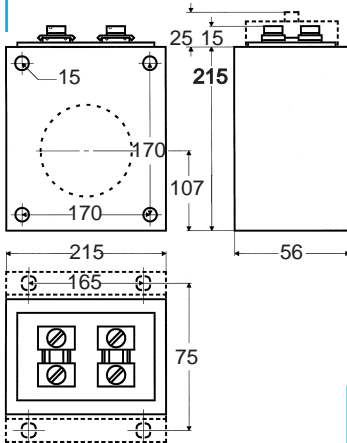
for cable ø155

Available as type F120R0 for cable 120 mm with increased burden

Accessories	fixing brackets	FF
	1 busbar clamp	1CF
	2 busbar clamps	2CF
	special primary or secondary current	on request

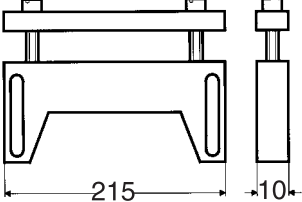
Type F..2

Picture showing type FS with 1 busbar clamp



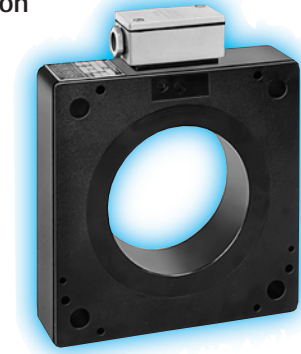
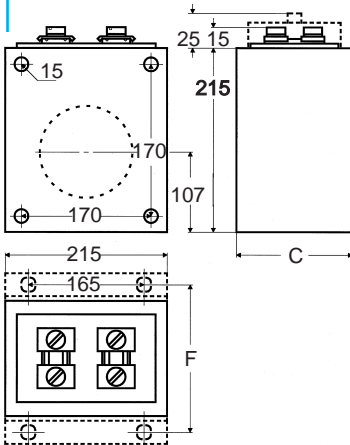
Burden in VA in class / Sec. current / Pricelist- and ordernumber

	Prim A	0.2		0.5/1			3			
		VA	1A	5A	VA	1A	5A	VA	1A	5A
Type F155R2 252-										
 for cable $\varnothing 155$	1000	5	-4213	-4253	10/15	-4210	-4250	20	-4214	-4254
	1200	7.5	-4313	-4353	10/15	-4310	-4350	25	-4314	-4354
	1500	10	-4513	-4553	15/25	-4510	-4550	30	-4514	-4554
	1600	15	-4613	-4653	15/25	-4610	-4650	30	-4614	-4654
	1800	15	-4713	-4753	20/30	-4710	-4750	40	-4714	-4754
	2000	20	-4813	-4853	30/40	-4810	-4850	50	-4814	-4854
	2500	25	-4913	-4953	40/50	-4910	-4950	60	-4914	-4954
	3000	30	-5013	-5053	45/60	-5010	-5050	75	-5014	-5054
	3500	35	-5113	-5153	50/75	-5110	-5150	80	-5114	-5154
	4000	40	-5213	-5253	50/75	-5210	-5250	90	-5214	-5254
	4500	50		-5353	60/75		-5350	90		-5354
	5000	50		-5453	60/75		-5450	100		-5454
6000	50		-5553	60/80		-5550	120		-5554	
7000	50		-5753	75/100		-5750	150		-5754	
8000	50		-5953	100/120		-5950	160		-5954	
Type FS 262-										
 for busbar 160x50	1000	5	-4213	-4253	10/15	-4210	-4250	20	-4214	-4254
	1200	7.5	-4313	-4353	10/15	-4310	-4350	25	-4314	-4354
	1500	10	-4513	-4553	15/25	-4510	-4550	30	-4514	-4554
	1600	15	-4613	-4653	15/25	-4610	-4650	30	-4614	-4654
	1800	15	-4713	-4753	20/30	-4710	-4750	40	-4714	-4754
	2000	20	-4813	-4853	30/40	-4810	-4850	50	-4814	-4854
	2500	25	-4913	-4953	40/50	-4910	-4950	60	-4914	-4954
	3000	30	-5013	-5053	45/60	-5010	-5050	75	-5014	-5054
	3500	35	-5113	-5153	50/75	-5110	-5150	80	-5114	-5154
	4000	40	-5213	-5253	50/75	-5210	-5250	90	-5214	-5254
	4500	50		-5353	60/75		-5350	90		-5354
	5000	50		-5453	60/75		-5450	100		-5454
6000	50		-5553	60/80		-5550	120		-5554	
7000	50		-5753	75/100		-5750	150		-5754	
8000	50		-5953	100/120		-5950	160		-5954	

<p>Accessories</p>	<p>fixing brackets secondary short circuiting piece sealable secondary terminal cover</p>	<p>FF S HG</p>
	<p>1 busbar clamp 2 busbar clamps</p>	<p>1CF 2CF</p>
	<p>special primary or secondary current two or three ratios, secondary change increased burden accuracy class 0.1</p>	<p>on request on request on request on request</p>

Type F..

Picture showing type F120R2U for outdoor application



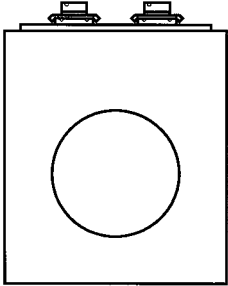
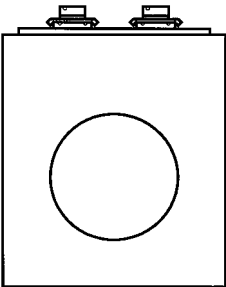
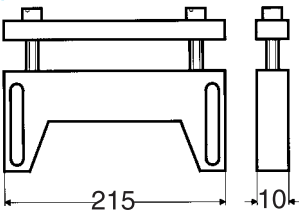
Cable current transformer produced in numerous combinations of primary current, VA-rating and class to suit specific applications. Available in indoor and outdoor version.

Depth is dependent upon the electrical requirements of the ct.

Typical combinations shown in the list below

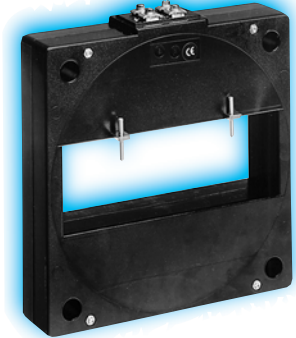
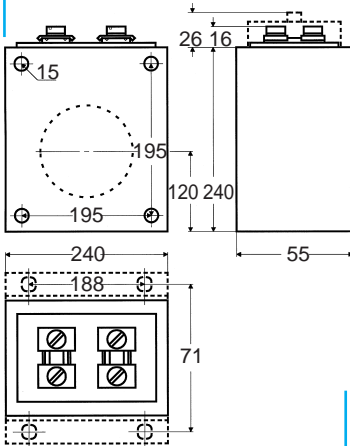
Prim A	VA	Class	Type	sec 1A	sec 2A	sec 5A	outdoor*
--------	----	-------	------	--------	--------	--------	----------

Type F80R.				Prim A	VA	Class	Type	sec 1A	sec 2A	sec 5A	outdoor*
<p>for cable \varnothing 80</p>	Type	Type no	C	150	5	3	F80R2	282G3214	282G3224	282G3254	282U
				150	20	3	F80R2	282N3214	282N3224	282N3254	282U
				150	5	1	F80R2	282G3211	282G3221	282G3251	282U
				150	7.5	1	F80R2	282H3211	282H3221	282H3251	282U
				150	10	1	F80R2	282I3211	282I3221	282I3251	282U
				150	5	0.5	F80R2	282G3212	282G3222	282G3252	282U
				150	7.5	0.5	F80R2	282H3212	282H3222	282H3252	282U
				150	10	0.5	F80R2	282I3212	282I3222	282I3252	282U
				150	5	0.2	F80R2	282G3213	282G3223	282G3253	282U
				150	7.5	0.2	F80R2	282H3213	282H3223	282H3253	282U
				150	10	0.2	F80R2	282I3213	282I3223	282I3253	282U
				200	5	0.2	F80R2	282G3413	282G3423	282G3453	282U
			200	7.5	0.2	F80R2	282H3413	282H3423	282H3453	282U	
			200	10	0.2	F80R4	284I3413	284I3423	284I3453	284U	
			200	15	0.2	F80R5	285L3413	285L3423	285L3453	285U	
			400	5	0.2	F80R2	282G3713	282G3723	282G3753	282U	
			400	7.5	0.2	F80R2	282H3713	282H3723	282H3753	282U	
			400	10	0.2	F80R2	282I3713	282I3723	282I3753	282U	
			400	15	0.2	F80R2	282L3713	282L3723	282L3753	282U	
			400	30	0.2	F80R4	284Q3713	284Q3723	284Q3753	284U	
			500	5	0.2	F80R2	282G3813	282G3823	282G3853	282U	
			500	7.5	0.2	F80R2	282H3813	282H3823	282H3853	282U	
			500	10	0.2	F80R2	282I3813	282I3823	282I3853	282U	
			500	15	0.2	F80R2	282L3813	282L3823	282L3853	282U	
			500	30	0.2	F80R2	282Q3813	282Q3823	282Q3853	282U	
			600	5	0.2	F80R2	282G3913	282G3923	282G3953	282U	
			600	7.5	0.2	F80R2	282H3913	282H3923	282H3953	282U	
			600	10	0.2	F80R2	282I3913	282I3923	282I3953	282U	
			600	15	0.2	F80R2	282L3913	282L3923	282L3953	282U	
			600	30	0.2	F80R2	282Q3913	282Q3923	282Q3953	282U	

	Prim A	VA	Class	Type	sec 1A	sec 2A	sec 5A	outdoor*																
<p>Type F120R.</p>  <p>for cable \varnothing 120</p> <table border="1"> <thead> <tr> <th>Type</th> <th>Type no</th> <th>C</th> <th>F</th> </tr> </thead> <tbody> <tr> <td>F120R2</td> <td>232</td> <td>56</td> <td>75</td> </tr> <tr> <td>F120R4</td> <td>234</td> <td>78</td> <td>97</td> </tr> <tr> <td>F120R5</td> <td>235</td> <td>100</td> <td>119</td> </tr> </tbody> </table>	Type	Type no	C	F	F120R2	232	56	75	F120R4	234	78	97	F120R5	235	100	119	150	7.5	0.2	F120R4	234H3213	234H3223	234H3253	234U
	Type	Type no	C	F																				
	F120R2	232	56	75																				
	F120R4	234	78	97																				
	F120R5	235	100	119																				
	200	7.5	0.2	F120R2	232H3413	232H3423	232H3453	232U																
	400	7.5	0.2	F120R2	232H3713	232H3723	232H3753	232U																
	500	10	0.2	F120R2	232I3813	232I3823	232I3853	232U																
	500	15	0.1	F120R4	234L3816	234L3826	234L3856	234U																
	600	10	0.2	F120R2	232I3913	232I3923	232I3953	232U																
	800	10	0.2	F120R2	232I4113	232I4123	232I4153	232U																
	1000	10	0.2	F120R2	232I4213	232I4223	232I4253	232U																
	1200	20	0.5	F120R2	232N4312	232N4322	232N4352	232U																
2000	10	0.2	F120R2	232I4813	232I4823	232I4853	232U																	
<p>Type F150R.</p>  <p>for cable \varnothing 150</p> <table border="1"> <thead> <tr> <th>Type</th> <th>Type no</th> <th>C</th> <th>F</th> </tr> </thead> <tbody> <tr> <td>F150R2</td> <td>242</td> <td>56</td> <td>75</td> </tr> <tr> <td>F150R4</td> <td>244</td> <td>78</td> <td>97</td> </tr> <tr> <td>F150R5</td> <td>245</td> <td>100</td> <td>119</td> </tr> </tbody> </table>	Type	Type no	C	F	F150R2	242	56	75	F150R4	244	78	97	F150R5	245	100	119	150	7.5	1	F150R4	244H3211	244H3221	244H3251	244U
	Type	Type no	C	F																				
	F150R2	242	56	75																				
	F150R4	244	78	97																				
	F150R5	245	100	119																				
	150	10	1	F150R5	245I3211	245I3221	245I3251	245U																
	150	15	1	F150R5	245L3211	245L3221	245L3251	245U																
	300	7.5	0.2	F150R5	245H3613	245H3623	245H3653	245U																
	500	7.5	0.2	F150R2	242H3813	242H3823	242H3853	242U																
	500	10	0.2	F150R2	242I3813	242I3823	242I3853	242U																
1000	10	0.2	F150R2	242I4213	242I4223	242I4253	242U																	
1000	15	0.5	F150R2	242L4212	242L4222	242L4252	242U																	
2000	10	0.2	F150R2	242I4813	242I4823	242I4853	242U																	
2400	30	0.5	F150R2	242Q7012	242Q7022	242Q7052	242U																	
Accessories	<p>fixing brackets (indoor)</p> <p>fixing brackets in stainless steel (outdoor)</p> <p>secondary short circuiting piece (indoor)</p> <p>sealable secondary terminal cover (indoor)</p> <p>for outdoor application the ct is equipped with waterproof terminal box, height 41mm (see photo)</p>						FF FFU S HG																	
	<p>1 busbar clamp</p> <p>2 busbar clamps</p>						1CF 2CF																	
<p>special primary or secondary current</p> <p>two or three ratios, secondary change</p> <p>increased burden</p> <p>accuracy class 0.1 and 0.2S</p> <p>*) additional charge for outdoor version</p>							<p>on request</p> <p>on request</p> <p>on request</p> <p>on request</p>																	

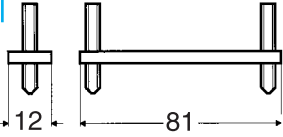
Type A..

Picture showing type A205/70 with 2 busbar holders



Burden in VA in class / Sec. current / Pricelist- and ordernumber

	Prim A	0.2		0.5/1			3			
		VA	1A	5A	VA	1A	5A	VA	1A	5A
Type A180R 650- for cable ø180	1500	15	-4513	-4553	20/40	-4510	-4550	50	-4514	-4554
	2000	15	-4813	-4853	20/40	-4810	-4850	50	-4814	-4854
	2500	20	-4913	-4953	25/50	-4910	-4950	60	-4914	-4954
	3000	25	-5013	-5053	30/60	-5010	-5050	60	-5014	-5054
	4000	25	-5213	-5253	30/60	-5210	-5250	80	-5214	-5254
	5000	25	-5413	-5453	40/80	-5410	-5450	90	-5414	-5454
	6000	25	-5513	-5553	60/100	-5510	-5550	90	-5514	-5554
	8000	25	-5913	-5953	60/100	-5910	-5950	100	-5914	-5954
Type A205/35 652- for busbar 205x35	1500	15	-4513	-4553	20/40	-4510	-4550	50	-4514	-4554
	2000	15	-4813	-4853	20/40	-4810	-4850	50	-4814	-4854
	2500	20	-4913	-4953	25/50	-4910	-4950	60	-4914	-4954
	3000	25	-5013	-5053	30/60	-5010	-5050	60	-5014	-5054
	4000	25	-5213	-5253	30/60	-5210	-5250	80	-5214	-5254
	5000	25	-5413	-5453	40/80	-5410	-5450	90	-5414	-5454
	6000	25	-5513	-5553	60/100	-5510	-5550	90	-5514	-5554
	8000	25	-5913	-5953	60/100	-5910	-5950	100	-5914	-5954
Type A205/70 653- for busbar 205x70	1500	15	-4513	-4553	20/40	-4510	-4550	50	-4514	-4554
	2000	15	-4813	-4853	20/40	-4810	-4850	50	-4814	-4854
	2500	20	-4913	-4953	25/50	-4910	-4950	60	-4914	-4954
	3000	25	-5013	-5053	30/60	-5010	-5050	60	-5014	-5054
	4000	25	-5213	-5253	30/60	-5210	-5250	80	-5214	-5254
	5000	25	-5413	-5453	40/80	-5410	-5450	90	-5414	-5454
	6000	25	-5513	-5553	60/100	-5510	-5550	90	-5514	-5554
	8000	25	-5913	-5953	60/100	-5910	-5950	100	-5914	-5954

<p>Accessories</p>	<p>Fixing brackets secondary short circuiting piece sealable secondary terminal cover special primary or secondary current</p>	<p>FA S HG on request</p>
	<p>2 busbar holders (for type A205/35 and A205/70 only)</p>	<p>2BA</p>