

Digital Servo Amplifier S700



KOLLMORGEN

Because Motion Matters™

Safety First!

The challenges faced by today's mechanical and process engineers include an increasing demand for a broader range of products and services, higher productivity, as well as increased supply availability and reliability. With its new S700 servo amplifier, Kollmorgen is now able to offer a product that is definitely up to these challenges.

The S700, which is based on the SERVOSTAR® 300 architecture and features the same kind of processor, is a fully digital servo amplifier that is ideal for complex drive tasks. You also have the option of using an MMC memory card, which enables parameter records and firmware to be backed up and copied extremely quickly and easily in the field.

In light of the fact that a growing number of engineers are moving towards Ethernet based communications such as EtherCAT and SynqNet, Kollmorgen has geared the S700 to the future by integrated an Ethernet connection into the new drive. The S700's onboard interface means that customers no longer have to rely on additional expansion cards for this kind of compatibility.

The S700 integrates a Safe Torque Off function. A digital input disables the amplifier's power output stage, thereby implementing the Safe Torque Off function (safe stop). Advanced safety functions such as „Safely Limited Speed“ and „Safe Stop 2“ are implemented by means of a safety expansion card.



The advantages for you

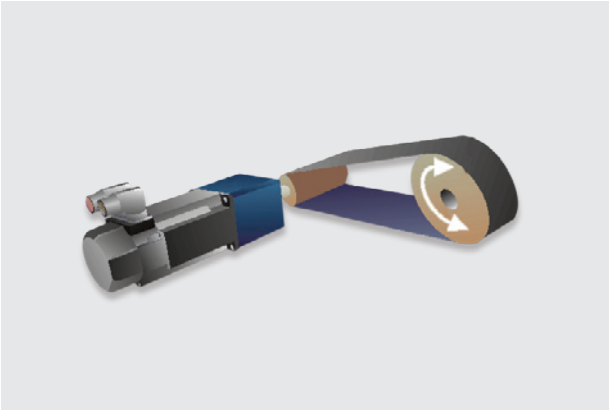
- | | |
|---|--|
| <ul style="list-style-type: none"> • Increased productivity | <ul style="list-style-type: none"> • High-speed current, speed and position control results in higher machine cycle rates • Safety functions to IEC 61800 increase machine availability |
| <ul style="list-style-type: none"> • Fewer types need to be stocked | <ul style="list-style-type: none"> • Multi-interface facilitates connection to all standard controllers • Multi-feedback feature compatible with all common feedback systems • Asynchronous Motors can also be operated |
| <ul style="list-style-type: none"> • Smaller switchgear cabinets | <ul style="list-style-type: none"> • EMV-filter on board • Integrated power supply and brake resistor • Mains choke is not necessary |
| <ul style="list-style-type: none"> • Faster startup | <ul style="list-style-type: none"> • Memory card for parameter & firmware updates • All connections via connectors • Autotuning |
| <ul style="list-style-type: none"> • Lower system costs | <ul style="list-style-type: none"> • Ethernet on board means real time fieldbuses like EtherCat without additional hardware • IEC1131 structured text • A single device for all application variants • Flexible interfaces make configuration easy |

Applications

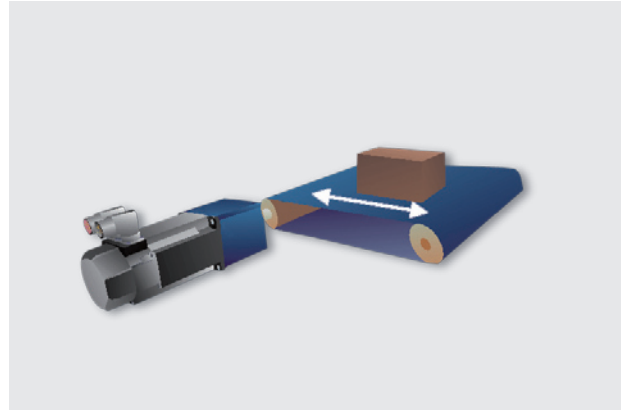
With its new S700 servo amplifier, Kollmorgen is able to meet the user demand for a high level of safety, flexible integration and faster throughput times.

Within this context, the versatile communication strategy, user-friendly interface and machine safety concepts all have an important part to play. The optimized control

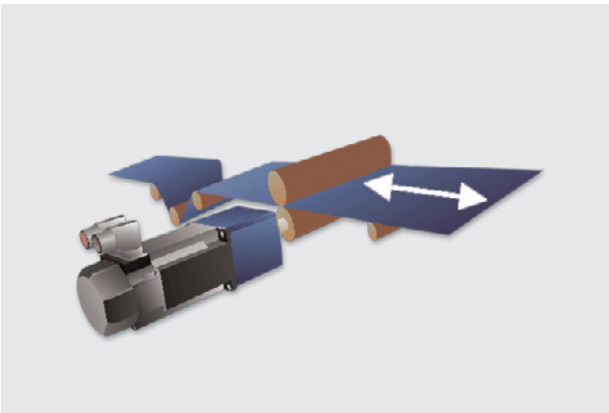
response results in improved performance and dynamics. The S700 is the perfect choice for an extremely wide range of automation environments including, for example, semiconductor production, packaging industry, medical engineering, woodworking, and plastics processing applications.



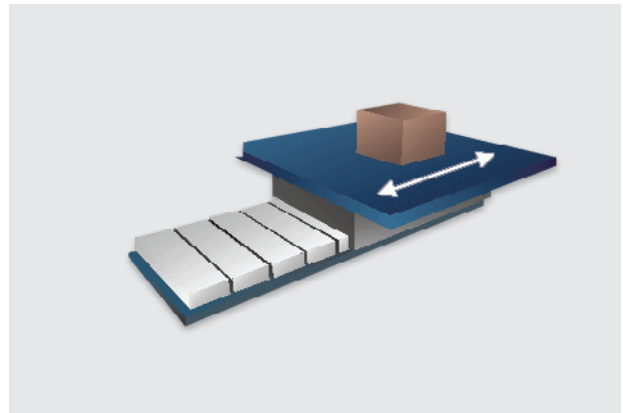
Belt drive



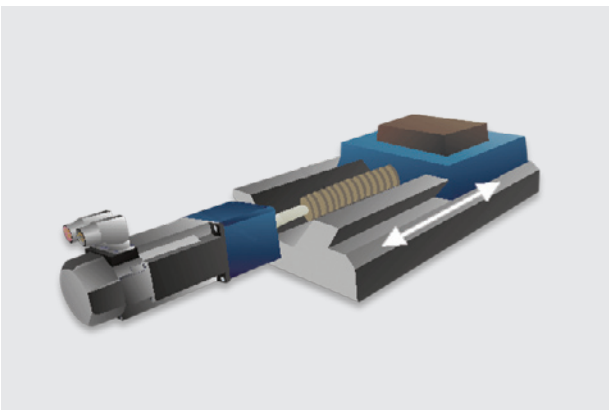
Conveyor belt



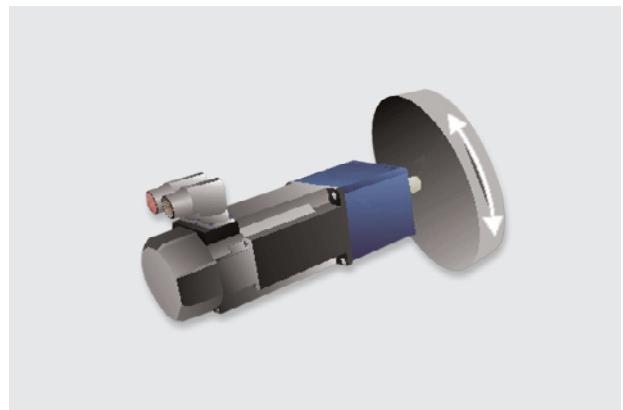
Endless conveyor



Direct drive: linear



Spindle drive



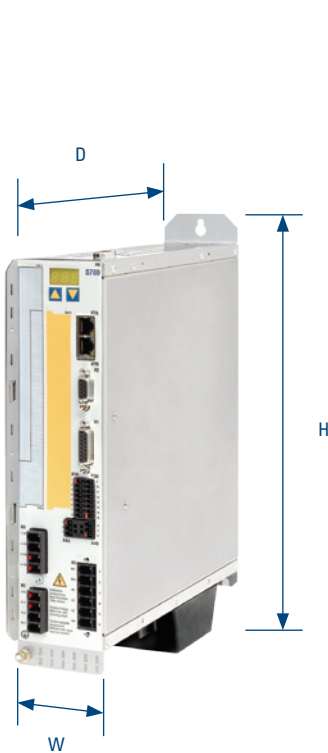
Disk

Technical Data

Rated data	DIM	S701	S703	S706	S712	S7120P	S724	S7240P	S748	S772
Rated line voltage	V~	3 x 208V _{-10%} ... 3 x 480V _{+10%} , 50/60 Hz								
Rated line power for S1 operation	kVA	1,1	2,2	4,5	9	9	18	18	35	50
Auxiliary supply	V=	24								
Rated DC-link voltage	V=	290-675								
Rated output current (rms value)										
- At 3 x 208 V	Arms	2,5	5	6	12	12	24	24	48	72
- At 3 x 230 V	Arms	2	4	6	12	12	24	24	48	72
- At 3 x 400 V	Arms	1,5	3	6	12	12	24	24	48	72
- At 3 x 480 V	Arms	1,5	3	6	12	12	24	24	48	70
Peak output current (rms value)	Arms	4,5	9	18	24	30	48	72	96	140

Dimensions

S701-S712



S724



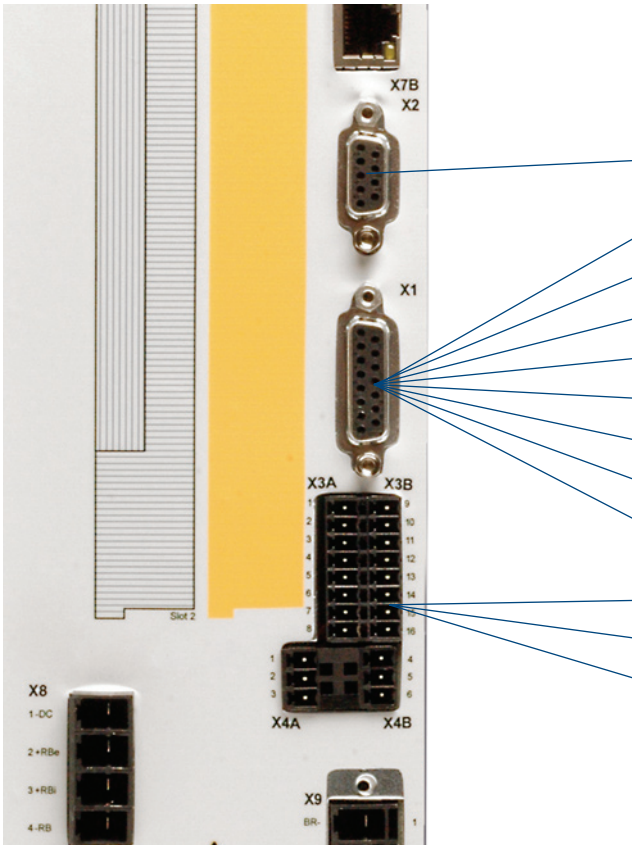
S748 / S772



Dimensions	DIM	S701	S703	S706	S712	S7120P	S724	S7240P	S748	S772
(H) Height incl. Fan	mm	345					348		385	
(W) Width	mm	70					100		190	
(D) Depth incl. Connector	mm	243							285	

Multi-feedback

The S700 can read data from a wide range of feedback systems and evaluate up to three of them in parallel. This feature ensures a high level of flexibility where integration of the S700 into different applications is concerned. Control without a feedback system is also supported, e.g. in the case of asynchronous motors.



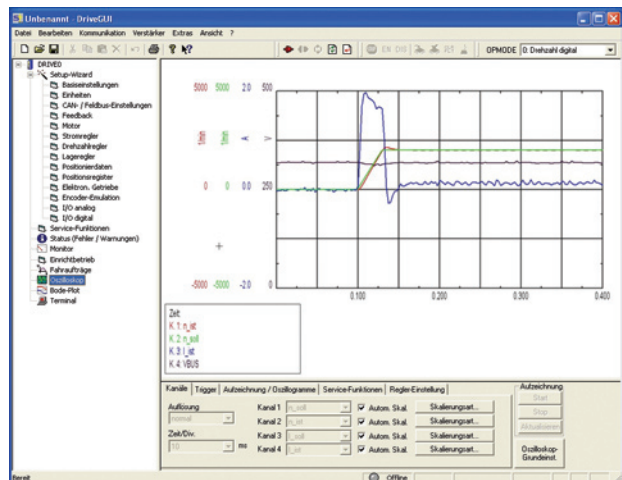
- 2 to 36-pin resolvers
- SinCos encoder with BISS
- SinCos encoder with ENDAT 2.1
- SinCos encoder with HIPERFACE
- SinCos encoder without data track
- SinCos encoder + Hall-effect sensor
- Hall-effect sensor
- Incremental encoder (AquadB) 5 V
- Incremental encoder (AquadB) 5 V + Hall-effect sensor
- Incremental encoder (AquadB) 24 V
- Incremental encoder (AquadB) 24 V + Hall-effect sensor
- Pulse/direction 24 V

- Optional**
- SSI absolute encoder
 - Pulse/direction 5 V

DriveGUI setup software

To facilitate initial setup of the S700, we provide graphics-based Windows® software that offers access to all S700 parameters and functions.

All S700 interfaces can be configured, any connected devices (e.g. motor type, feedback system, fieldbus) can be selected and the Autotuning functions can be launched. A four-channel oscilloscope and Bode plot ensure optimum display of the Autotuning results. Specialists are able to address all existing parameters via an integrated terminal window. Thanks to the Bode plot function, resonant frequencies of the machinery can be suppressed. This makes for quieter operation and optimizes the production process.

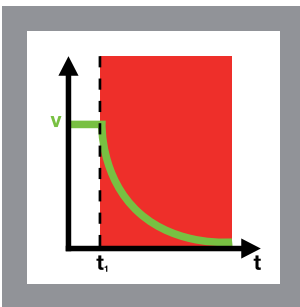


Safety function

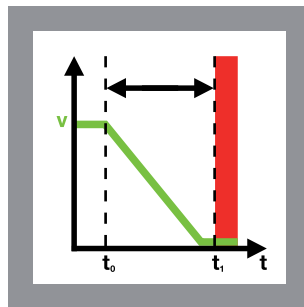
Safe Torque Off (STO) is integrated as standard. The drive for ever-greater productivity means that safe intervention has to be ensured even when the motor remains switched on (in order to hold a load or slow down machinery, for

example). That is why the S700 has been equipped with a slot for a safety expansion card, which supports advanced safety functions, such as Safely Limited Speed and Safe Stop 2.

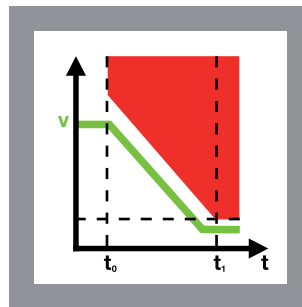
Safe Torque Off (STO)



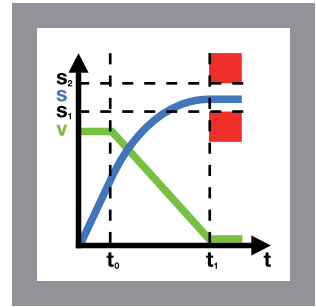
Safe Stop 1 (SS1)



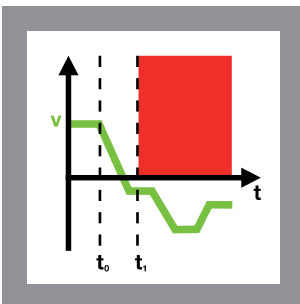
Safe Stop 2 (SS2)



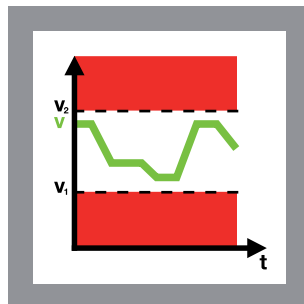
Safe Operating Stop (SOS)



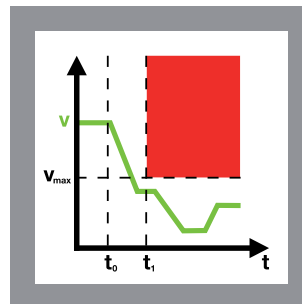
Safe Direction (SDI)



Safe Speed Range 1 (SSR)



Safely Limited Speed (SLS)



Sources: Pilz, www.pilz.com

Cogging torque suppression

The servo motors produced by many manufacturers manifest a noticeably high cogging torque as a result of how the permanent magnets are arranged. The S700 offers a function for suppressing cogging torque within defined traverse distances. This function has been specifically

designed for applications with the toughest synchronism requirements. Even linear motors can be operated at extremely low speeds with a high degree of synchronous accuracy.

Multi-interface

The S700 really stands out on account of the high level of flexibility that it offers when integrated into network environments. Virtually all of the most popular fieldbus connections can be accommodated, thereby enabling the servo amplifier to communicate with any standard controller.

Standard

RS232

- Standard interface that enables connection to a PC for startup and optimization purposes



- CAN standard ISO 11898 (high-speed communication)
- Max. transmission speed of 1 Mbit/s
- Supports CANopen standards DS301, DSP402

EtherCAT

- The firmware can be selected to set the EtherCat protocol for the Ethernet interface

In preparation

Ethernet TCP/IP

Profinet

Sercos III

Optional



- SERCOS standard to IEC 61491
- Noise-resistant optical fiber
- Choice of baud rate settings: 2, 4, 8 and 16 Mbaud



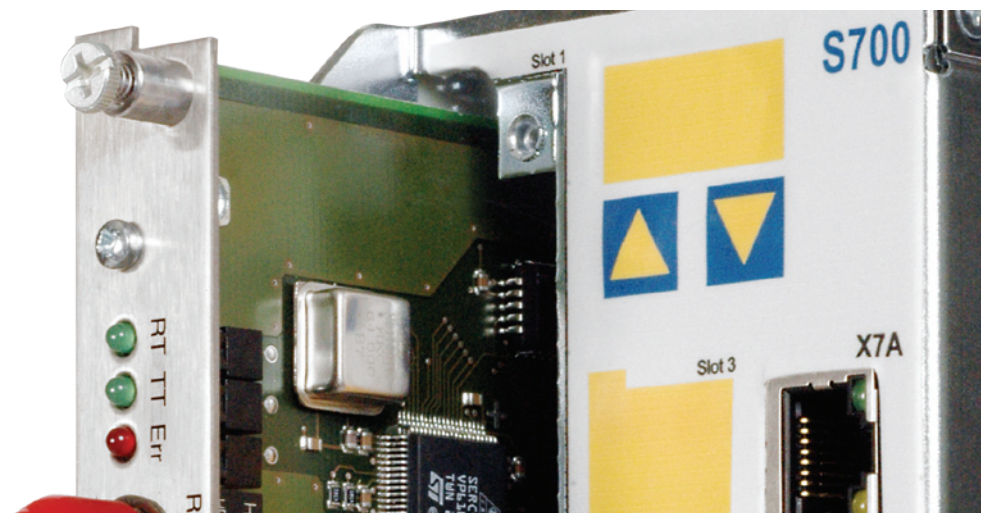
- PROFIBUS DP to EN 50170
- Baud rates from 187.5 kbaud to 12 Mbaud
- Support for the PROFIDRIVE drive profile



- CAN standard ISO 11898 (high-speed comm.)
- Max. transmission speed of 500 kbit/s

I/O expansion card

- In the case of straightforward automation tasks, the I/O expansion card provides an extremely cost-effective way of implementing servo motor positioning control
- 14 additional digital inputs enable selection and launch of the motion tasks stored in the S700's process block memory
- 8 digital outputs communicate the drive status to the higher-level control system



France

Danaher Motion
C.P 80018
12, Rue Antoine Becquerel – Z.I. Sud
72026 Le Mans Cedex 2
Phone : +33 (0) 243 50 03 30
Fax : +33 (0) 243 50 03 39
E-mail : sales.france@danahermotion.com

Germany

Danaher Motion GmbH
Sales Office North
Wacholderstraße 40-42
40489 Düsseldorf
Phone : +49 (0) 203 9979 250
Fax : +49 (0) 203 9979 3315
E-mail: vertrieb.nord.de@danahermotion.com

Danaher Motion GmbH
Sales Office South West
Brückenfeldstraße 26/1
75015 Bretten
Phone : +49 (0) 7252 96462 0
Fax : +49 (0) 203 9979 3317
E-mail : vertrieb.suedwest.de@danahermotion.com

Danaher Motion GmbH
Sales Office South East
Münzgasse 6
72379 Hechingen
Phone : +49 (0) 7471 99705 0
Fax : +49 (0) 203 9979 3316
E-mail: vertrieb.suedost.de@danahermotion.com

Italy

Danaher Motion srl
Largo Brughetti 1/B2
20030 Bovisio Masciago (MI)
Phone : +39 0362 594260
Fax : +39 0362 594263
E-mail : kollmorgen.italy@danahermotion.com

Switzerland

Danaher Motion SA
La Pierreire 2
1029 Villars-Ste-Croix
Phone : +41 (0) 21 631 33 33
Fax : +41 (0) 21 636 05 09
E-mail : kollmorgen.switzerland@danahermotion.com

United Kingdom

Danaher Motion
Chartmoor Road, Chartwell Business Park
Leighton Buzzard, Bedfordshire
LU7 4WG
Phone : +44 (0)1525 243 243
Fax : +44 (0)1525 243 244
E-mail : sales.uk@danahermotion.com

Europe/Middle East/Africa

Danaher Motion GmbH
Wacholderstraße 40-42
40489 Düsseldorf
Germany
Phone: +49 (0) 203 9979 235
Fax : +49 (0) 203 9979 3314
E-mail : kollmorgen.europe@danahermotion.com

Asia Pacific

Danaher Motion (HK) Ltd
Unit A, 16 Floor, 169 Electric Road
Manulife Tower, North Point
Hong Kong
Phone : +852 2503 6581
Fax : +852 2571 8585
E-mail : kollmorgen.asiapacific@danahermotion.com

China

Danaher Motion
Rm 2205, Scitech Tower
22 Jianguomen Wai Street
Beijing 100004
Phone : +86 10 6515 0260
Fax : +86 10 6515 0263
E-mail : sales.china@danahermotion.com

India

Danaher Motion
Unit No 2, SDF 1 SeepzAnderi
Mumbai 400 096
Phone : +91 22 2829 4058
Fax : +91 22 2839 4036
E-mail : kollmorgen.india@danahermotion.com

Japan

Danaher Motion Japan
2F, Tokyu Reit Hatchobori Bldg,
2-7-1 Hatchobori Chuo-ku,
Tokyo 104-0032
Phone : +81 3 6222 1051
Fax : +81 3 6222 1055
E-mail : kollmorgen.japan@danahermotion.com

USA, Canada and Mexico

Danaher Motion
203A West Rock Road
Radford, VA 24141
Phone : +1 540 633 3400
Fax : +1 540 639 4162
E-mail : DMAC@danahermotion.com