



700 Series Worm Gear Speed Reducers

**Hollow
Output
Shafts Now
Available in
5.25" Center
Distance
(752 Size)**



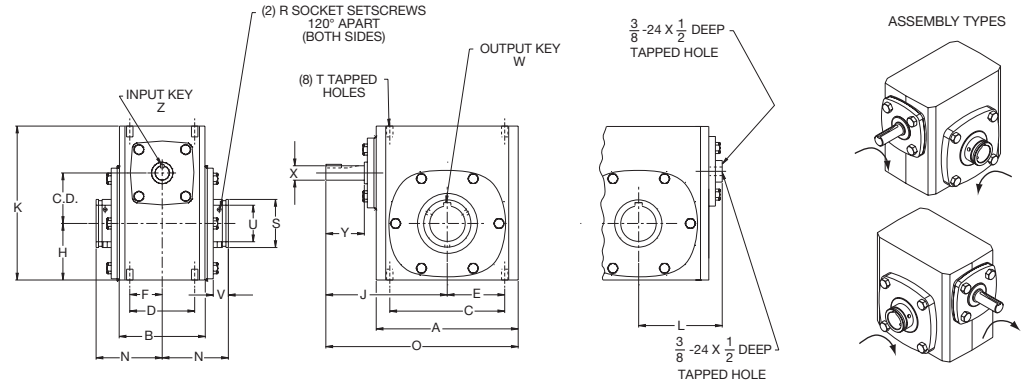
An Altra Industrial Motion Company



Hollow Output Shafts Now Available in 5.25” Center Distance (752 Size)

- 6 New Bore Sizes Ranging from 2” to 3 7/16”
- Reduction of Drivetrain Components through Shaft Mounting Flexibility
- Backwards compatible with 700 Series’ Industry-Standard Mounting Dimensions
- Larger Output Bearings for Greater Rigidity
- Output Torque more than Doubles as Compared with 738 Center Distance
- Good for Heavy Duty Conveyor Systems
- Good for Large Shaft Mount Applications
- Double Reduction Ratios also Available

Projecting Input (“H” Style)

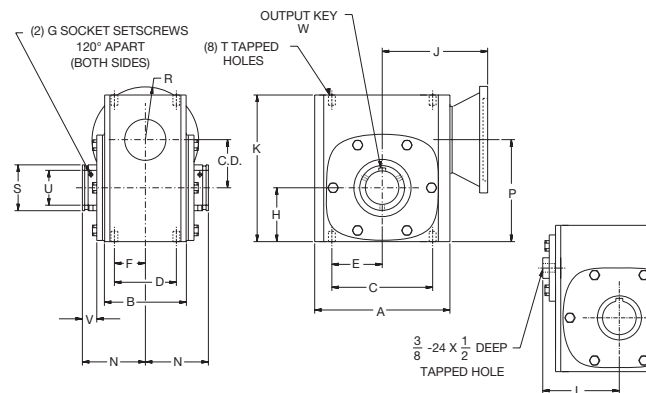


All Dimensions in Inches

SIZE	C.D.	A	B	C	D	R	F	H	J	K	L	N	O	R	S
752	5.16	13.13	7.38	11.0	5.81	5.50	2.91	5.31	10.69	13.75	7.19	6.12	17.25	3/1-24	4.25

SIZE	T		LOW SPEED MAX				HIGH SPEED MAX				APPROX. WEIGHT (LBS)	FAN KIT NO. **
	TAP SIZE	DEPTH	MAX U + .0015 - .0000	V	W - KEY		X + .000 - .001	Y	Z - KEY			
					SQ.	LENGTH			SQ.	LENGTH		
752	5/8-11	1.00	3.4375	1.37	SEE CHART 1	SEE CHART 1	1.2495	3.25	1/4	1 1/4	198	51452

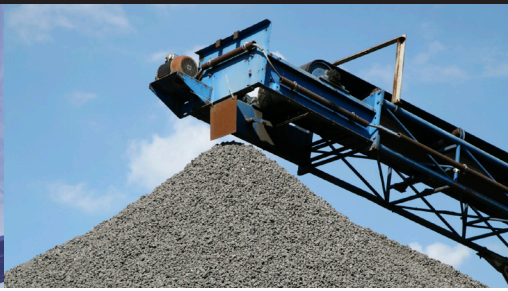
Flange Coupling Input (“HRF” Style)



All Dimensions in Inches

SIZE	C.D.	A	B	C	D	E	F	G	H	J - NEMA MOUNTING 180TC, 210TC, 250TC	K	L	N
752	5.16	13.13	7.38	11.0	5.81	5.50	2.91	3/8-24	5.31	16.00	13.75	7.19	6.12

SIZE	P	R-NEMA MOUNTING 180TC, 210TC, 250TC	S	T		LOW SPEED SHAFT				APPROX. WEIGHT (LBS)	FAN KIT NO. **
				TAP SIZE	DEPTH	MAX U + .0015 - .0000	V	W - KEY			
								SIZE	LENGTH		
752	10.50	4.63	4.25	5/8-11	1.00	3.4375	1.37	SEE CHART 1	SEE CHART 1	221	51457



Ordering Information for 752 with Hollow Output Shaft

HRF	752	B	60	K	F	B9	H	1	P36
Styles	Center Distance	Base	Ratio*	Lube	Fan	Nema Mounting	Output Shaft Assy	Mounting Position	Output Bore Code
H HRF	752	(Blank) B C D E F	10 15 20 30 40 50 60	(Blank) K	(Blank) F	B11 B13	H HS	1 2 3 4 5 6	P31 P32 P35 P36 P39 P47 P55

See catalog for additional information.

*For Double Reduction Ratios from 100:1 to 3000:1, please refer to catalog.

Hollow Output Shaft Bore Codes (Chart 1)

Fraction	Output Bore Code	Decimal Size	Key Size
1 15/16	P31	1.9375	12 x 3/8 x 2"
2	P32	2.0000	1/2 x 3/8 x 2"
2 3/16	P35	2.1875	1/2 x 3/8 x 2"
2 1/4	P36	2.2500	1/2 x 3/8 x 2"
2 7/16	P39	2.4375	5/8 x 1/2 x 2 1/12"
2 15/16	P47	2.9375	3/4 x 9/16 x 3
3 7/16	P55	3.4375	7/8 x 5/8 x 3



Selection Tables for 752 with Hollow Output Shaft

Ratios*	Input RPM	Output RPM	752			752F		
			HP In	HP Out	Torque (lbf-in)	HP In	HP Out	Torque (lbf-in)
10	1750	175	17.31	16.27	5860	21.63	19.94	7128
	1150	115	12.27	11.31	6200	14.25	13.14	7200
	690	69	9.58	8.54	7800	10.55	9.41	8600
	100	10	1.93	1.67	10500	1.93	1.67	10500
15	1750	116.7	13.06	12.25	6618	16.32	14.49	7829
	1150	77.7	9.14	8.15	6700	10.5	9.37	7700
	690	46	7.19	6.42	8800	7.74	6.92	9475
	100	6.7	1.56	1.26	11900	1.56	1.26	11900
20	1750	87.5	10.19	9.49	6830	12.74	11.21	8075
	1150	57.5	7.57	6.66	7300	8.7	7.66	4325
	690	34.5	5.59	4.93	9000	5.97	5.25	4900
	100	5	1.18	0.92	11585	1.18	0.92	5800
30	1750	58.3	7.3	6.45	6964	9.12	7.72	8336
	1150	38.3	5.5	4.68	7700	6.29	5.34	8800
	690	23	4.03	3.43	9400	4.38	3.72	10200
	100	3.3	0.93	0.64	12250	0.93	0.64	12250
40	1750	43.8	5.6	4.78	6889	7.0	5.68	8178
	1150	28.8	4.06	3.33	7300	4.68	3.84	8400
	690	17.3	3.01	2.6	9000	3.21	2.62	9600
	100	2.5	0.71	0.46	11585	0.71	0.46	11585
50	1750	35	4.49	3.75	6751	5.61	4.26	7678
	1150	23	3.34	2.48	6800	3.93	2.92	8000
	690	13.8	2.32	1.77	8100	2.52	1.93	8800
	100	2	0.46	0.28	9000	0.46	0.28	9000
60	1750	29.2	3.67	2.97	6416	4.59	3.22	6953
	1150	19.2	2.89	2.04	6700	3.33	2.34	7700
	690	11.5	2.07	1.46	8000	2.25	1.59	8700
	100	1.7	0.43	0.24	9000	0.43	0.24	9000

*For Double Reduction Ratios from 100:1 to 3000:1, please refer to catalog.

<p>Electromagnetic Clutches and Brakes</p> <p>Warner Electric <i>Electromagnetic Clutches and Brakes</i> New Hartford, CT - USA 1-800-825-6544 <i>For application assistance: 1-800-825-9050</i></p> <p>St Barthelemy d'Anjou, France +33 (0) 2 41 21 24 24</p> <p><i>Precision Electric Coils and Electromagnetic Clutches and Brakes</i> Columbia City, IN - USA 1-260-244-6183</p> <p>Matrix International <i>Electromagnetic Clutches and Brakes, Pressure Operated Clutches and Brakes</i> Brechin, Scotland +44 (0) 1356 602000 New Hartford, CT - USA 1-800-825-6544</p> <p>Inertia Dynamics <i>Spring Set Brakes; Power On and Wrap Spring Clutch/Brakes</i> New Hartford, CT - USA 1-800-800-6445</p>	<p>Couplings</p> <p>Ameridrives Couplings <i>Mill Spindles, Ameriflex, Ameridisc</i> Erie, PA - USA 1-814-480-5000</p> <p><i>Gear Couplings</i> San Marcos, TX - USA 1-800-458-0887</p> <p>Bibby Turboflex <i>Disc, Gear, Grid Couplings, Overload Clutches</i> Dewsbury, England +44 (0) 1924 460801 Boksburg, South Africa +27 11 918 4270</p> <p>TB Wood's <i>Elastomeric Couplings</i> Chambersburg, PA - USA 1-888-829-6637 – Press #5 <i>For application assistance: 1-888-829-6637 – Press #7</i></p> <p><i>General Purpose Disc Couplings</i> San Marcos, TX - USA 1-888-449-9439</p> <p>Ameridrives Power Transmission <i>Universal Joints, Drive Shafts, Mill Gear Couplings</i> Green Bay, WI - USA 1-920-593-2444</p> <p>Huco Dynatork <i>Precision Couplings and Air Motors</i> Hertford, England +44 (0) 1992 501900 Chambersburg, PA - USA 1-800-829-6637</p> <p>Lamiflex Couplings <i>Flexible Couplings, Bearing Isolators, and Coupling Guards</i> São Paulo, SP - Brasil (11) 5679-6533</p>	<p>Heavy Duty Clutches and Brakes</p> <p>Wichita Clutch <i>Pneumatic Clutches and Brakes</i> Wichita Falls, TX - USA 1-800-964-3262 Bedford, England +44 (0) 1234 350311</p> <p>Twiflex Limited <i>Caliper Brakes and Thrusters</i> Twickenham, England +44 (0) 20 8894 1161</p> <p>Industrial Clutch <i>Pneumatic and Oil Immersed Clutches and Brakes</i> Waukesha, WI - USA 1-262-547-3357</p> <p>Gearing</p> <p>Boston Gear <i>Enclosed and Open Gearing, Electrical and Mechanical P.T. Components</i> Charlotte, NC - USA 1-800-825-6544 <i>For application assistance: 1-800-816-5608</i></p> <p>Bauer Gear Motor <i>Gearred Motors</i> Esslingen, Germany +49 (711) 3518 0 Somerset, NJ - USA 1-732-469-8770</p> <p>Nuttall Gear and Delroyd Worm Gear <i>Worm Gear and Helical Speed Reducers</i> Niagara Falls, NY - USA 1-716-298-4100</p>	<p>Overrunning Clutches</p> <p>Formsprag Clutch <i>Overrunning Clutches and Holdbacks</i> Warren, MI - USA 1-800-348-0881 – Press #1 <i>For application assistance: 1-800-348-0881 – Press #2</i></p> <p>Marland Clutch <i>Roller Ramp and Sprag Type Overrunning Clutches and Backstops</i> South Beloit, IL - USA 1-800-216-3515</p> <p>Stieber Clutch <i>Overrunning Clutches and Holdbacks</i> Heidelberg, Germany +49 (0) 6221 30 47 0</p> <p>Belted Drives and Sheaves</p> <p>TB Wood's <i>Belted Drives</i> Chambersburg, PA - USA 1-888-829-6637 – Press #5 <i>For application assistance: 1-888-829-6637 – Press #7</i></p> <p>Engineered Bearing Assemblies</p> <p>Kilian Manufacturing <i>Engineered Bearing Assemblies</i> Syracuse, NY - USA 1-315-432-0700</p> <p><small>For information concerning our sales offices in Asia Pacific check our website www.altramotion.com.cn</small></p>
<p>Linear Products</p> <p>Warner Linear <i>Linear Actuators</i> Belvidere, IL - USA 1-800-825-6544 <i>For application assistance: 1-800-825-9050</i></p> <p>St Barthelemy d'Anjou, France +33 (0) 2 41 21 24 24</p>			



www.bostongear.com

7001 Carrier Drive
Charlotte, NC 28216 - USA
704-588-5610
Fax: 704-588-7181