



Global presence

LINAK[®] has a well-developed sales and service organisation in Europe, America, Asia and Australia. Therefore, we can assist you and your customers locally, under the global sales concept idea: Be global, act local

Terms of use

The user is responsible for determining the suitability of LINAK products for a specific application. LINAK takes great care in providing accurate and up-to-date information on its products. However, due to continuous development in order to improve its products, LINAK products are subject to frequent modifications and changes without prior notice. Therefore, LINAK cannot guarantee the correct and actual status of said information on its products. While LINAK uses its best efforts to fulfil orders, LINAK cannot, for the same reasons as mentioned above, guarantee the availability of any particular product. Therefore, LINAK reserves the right to discontinue the sale of any product displayed on its website or listed in its catalogues or other written material drawn up by LINAK.

All sales are subject to the Standard Terms of Sale and Delivery for LINAK. For a copy hereof, please contact LINAK.

LINAK[®] 
WE IMPROVE YOUR LIFE

Focus on Strethers



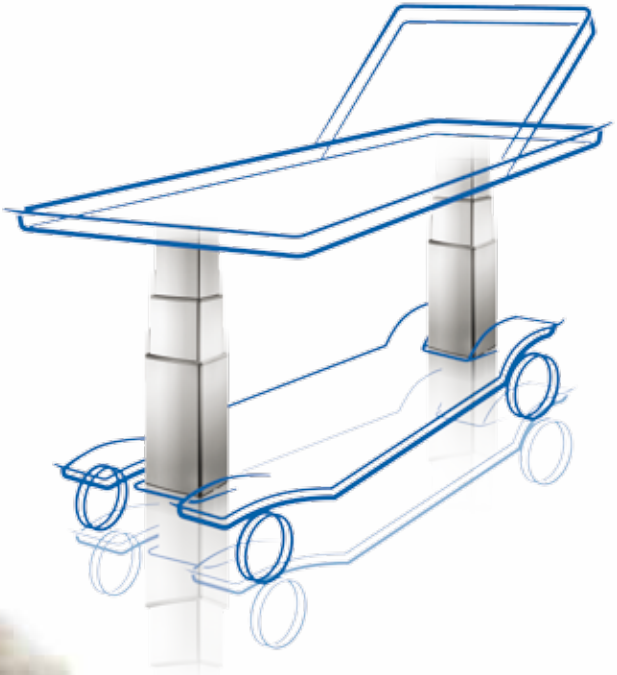
LINAK[®] 
WE IMPROVE YOUR LIFE




Full functionality battery power, and comfort for mobile applications

Electric adjustment of stretchers means improved ergonomic working conditions for health care personnel. At the same time it increases the patients' comfort. LINAK® provides a system solution for stretchers, bed trolleys and other mobile applications.

Manufacturers are now facing endless opportunities to add functionality to mobile applications. LINAK columns, actuators, and strong battery solutions are technically optimised for this particular feature.





Options and advantages with the LINAK® COBO20 system solution:

- Ergonomic working environment for health care personnel via height adjustment of the stretcher.
- Increased comfort for patients via electrical functionality.
- Many electrical functions of the stretcher as it is possible to use up to 6 actuators in the system.
- Freedom of choice as a LINAK battery or another battery source can be chosen for the COBO20 system.
- Full electrical functionality benefits as the system provides audio signal when charging is needed. This helps ensure that the stretcher is up and running all the time.
- Possible to add an emergency stop button for use in case of emergency.

LINAK® offers system solutions

Our solutions have been developed and tested as systems. This ensures the functioning and the safety of our systems.

System example:

COBO20 Connection Box

The COBO20 connection box allows connecting the control unit (CU20) with a large battery source.



CU20 Control Unit

The CU20 control unit is a micro-processor solution. It holds up to six channels for actuators.



BAJ1 Battery

The LINAK BAJ1 battery has 2.9 Ah. It is possible to use other battery sources if wished.

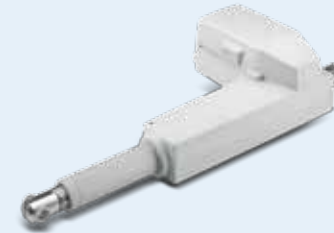


BL1 Column

The BL1 column is a recently developed three-part column in a nice aluminum design.

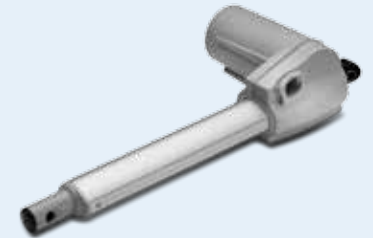
LA31 Linear Actuator

The LA31 actuator is a very quiet and powerful actuator. It is an ideal choice for stretchers.



LA27 Linear Actuator

The LA27 actuator is a quiet and powerful actuator. It is designed for leg rest and back rest functions which makes it an ideal choice for stretchers.



HB80 Handset

The HB80 handset is the latest hand control developed by LINAK. The HB80 is developed with a focus on design and hand grip. The HB80 can be personalised via a customised front cover.