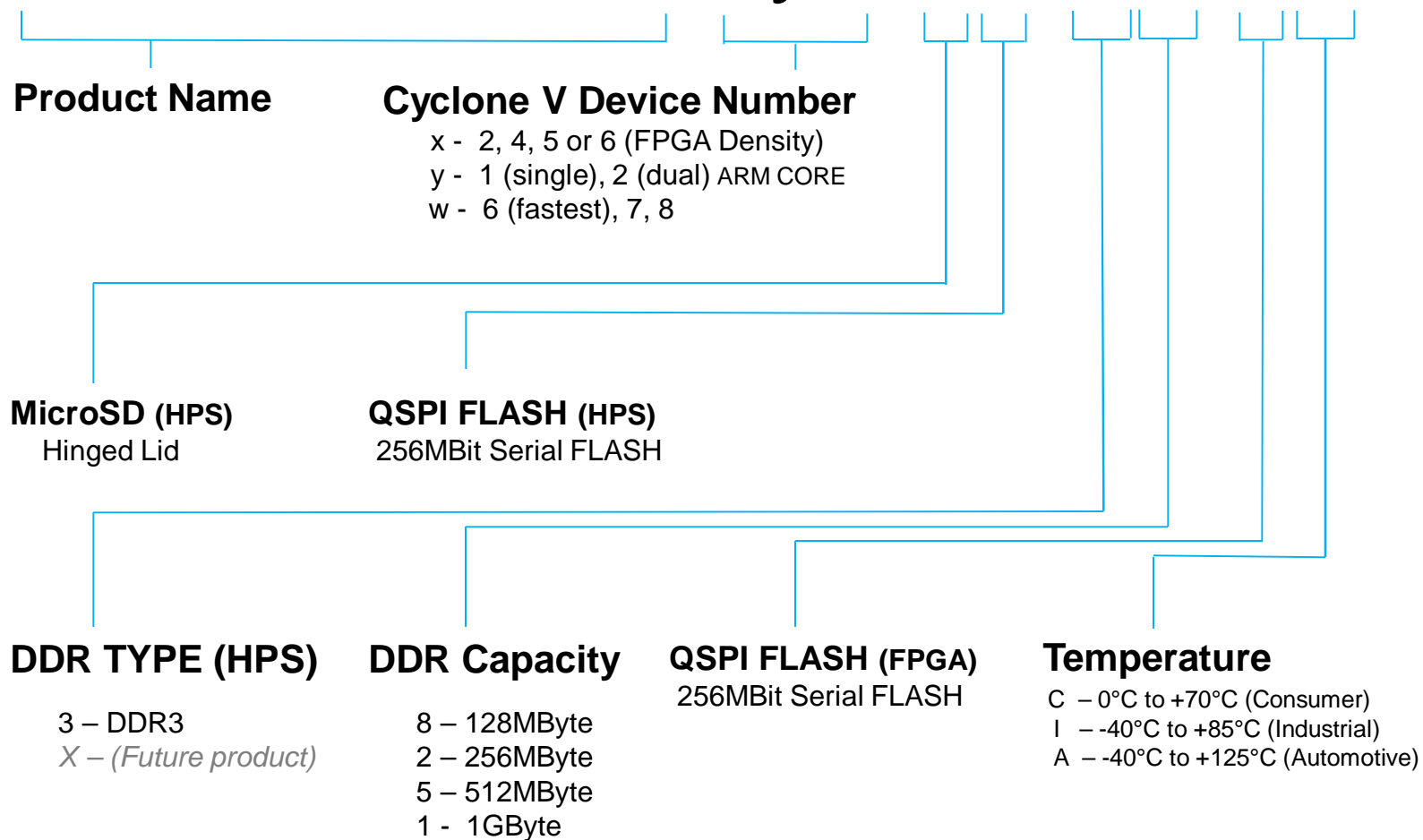




NOVSOM[™]CVLxyw-SF-TY-F-K





Example of Valid Part Numbers:

- **NOVSOM[™]CVL218-S-32-C (stocking part)**

SoM with Cyclone V 5CSEBA2 484 BGA, Single ARM core, MicroSD slot (lock type), 256Mbyte DDR3, Consumer temperature range.

- **NOVSOM[™]CVL527-S-35-F-I**

SoM with Cyclone V 5CSEBA5 484 BGA, dual ARM core, MicroSD slot (lock type), MicroSD slot (lock type), 512Mbyte DDR3, 256Mbit QSPI (FPGA), Industrial temperature range.

- **NOVSOM[™]CV618-F-31-A**

SoM with Cyclone V 5CSEBA6 484 BGA, Single ARM core, 256Mbit QSPI (HPS), 1Gbyte DDR3, Automotive temperature range.

Doc Number: 001-120-04-04-01