

**230 V<sub>AC</sub> ICAO Low-intensity, Type A Obstacle Light**

**Key features**

- Based on LED technology
- Extremely reliable - long lifetime
- Very low power consumption
- 230 V AC nominal supply voltage
- Stabilised light output
- Easy to install
- Absolutely no RF-radiations
- Safe and easy to use

**Benefits**

- Long maintenance intervals
- Low energy cost
- Supply power voltage variations do not affect to light output
- Very low total lifetime costs
- Comes with five (5) years warranty

**Specifications met**

- ICAO International Standards and Recommended Practices: Aerodromes - Annex 14 Volume 1, 5th Edition, July 2009, Chapter 6: Low-intensity, Type A Fixed Obstacle Light

**Optical characteristics**

- Intensity better than 10 cd
- Colour aviation red
- Horizontal radiation pattern 360°
- Vertical radiation pattern 50°
- LED supply current stabilised by constant current generator
- Light output degradation less than 30% after 100.000 h of operation

**Electrical characteristics**

- LEDs in separate groups
- Nominal operating voltage 230 V<sub>AC</sub>
- Power consumption 2.3 VA
- Operating voltage range 210 to 250 V<sub>AC</sub>
- Internal 230 V<sub>AC</sub> / 48 V<sub>DC</sub> power supply
- Two-stage over-voltage protection

**Mechanical characteristics**

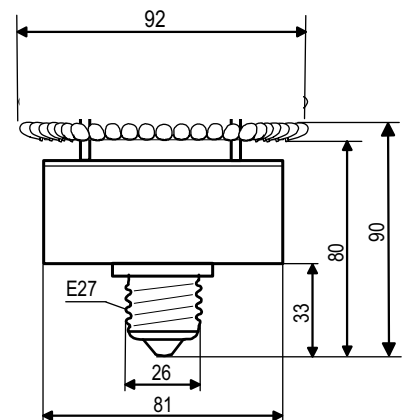
- Yellow ABS+PC body
- Degree of protection IP 30
- Operating temperature range -55°C ... +55°C
- Height 90 mm, diameter 92 mm, weight 0,3 kg

Ordering Code: **Obelux 10-230-E27**

Made in Finland



**Obelux 10-230-E27**



**OPERATING VOLTAGE**  
**230 V<sub>AC</sub>**



**CAUTION ! LED RADIATION**  
DO NOT STARE INTO LED BEAM OR VIEW  
DIRECTLY WITH OPTICAL INSTRUMENTS.  
CLASS 2A LED PRODUCT