

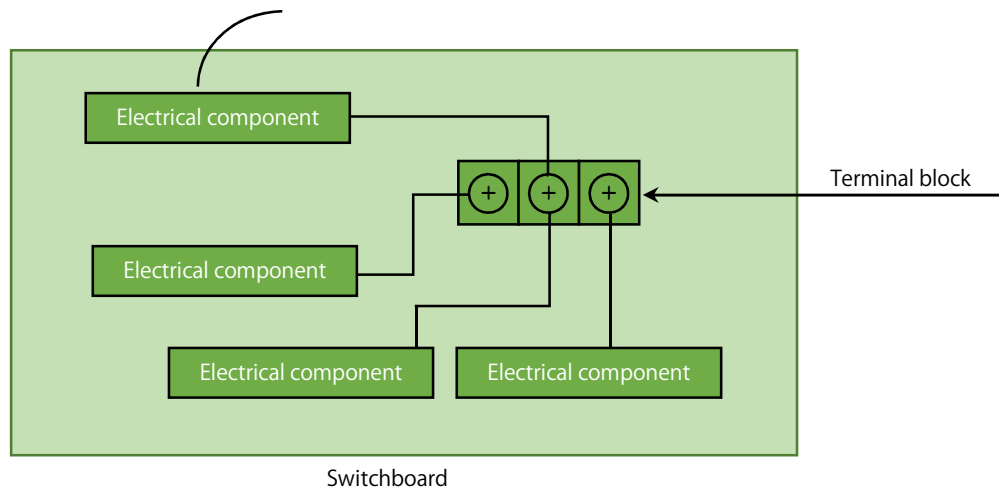
About the UL Standard

FW1 and FW2

Factory Wiring(FW1)

Connections made with the terminal block within the switchboard pertain to FW1.

Connections made using 2 wires that are thinner than AWG 1/0 also fall under FW1.



Factory Wiring(FW2)

Input/output connections with external devices pertain to FW2. Wiring within the switchboard is also possible.

