



Table of Contents

USB 2.0 Series.....	P2
Micro USB 2.0 Series	P27
Mini USB 2.0 Series.....	P32
USB 3.0 Series.....	P37
Micro USB 3.0 Series.....	P44
USB 3.1 Type-C Series.....	P46
IEEE 1394 Series.....	P50
E-SATA Series.....	P55
SATA Series.....	P57
HDMI Series.....	P60
Battery Series.....	P65
SD CARD Series.....	P67
SIM CARD Series.....	P69
Cable Series.....	P71

Southern California Office:

15991 Red Hill Avenue, Suite #102,
Tustin, CA 92780 USA
Tel:+1-714-460-0718 Fax:+1-714-460-0728

Northern California Office:

500 Yosemite Drive,
Milpitas, CA 95035 USA
Tel:+1-408-855-8866 Fax:+1-408-855-8868



USB 2.0 SERIES

Temperature	-30°C ~ +85°C
Rated Load	AC 30V 1.5A
Contact Resistance	20mΩ Max
Insulation Resistance	1000MΩ Min
Withstanding Voltage	AC500V (50Hz)/min
Actuating Force	10-35N
Durability (Life)	1500 cycles Min

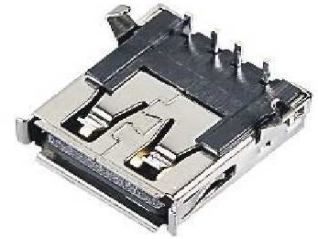
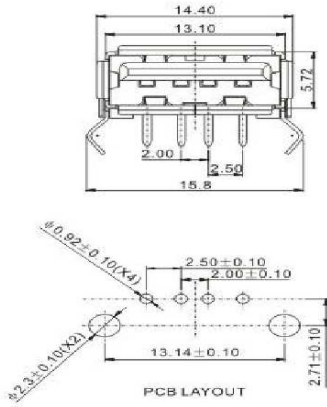
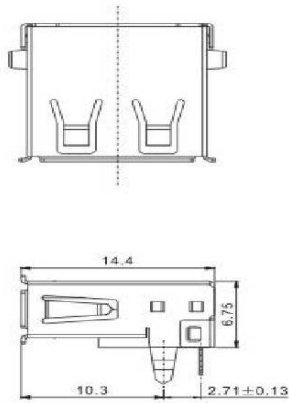
Southern California Office:

15991 Red Hill Avenue, Suite #102,
Tustin, CA 92780 USA
Tel:+1-714-460-0718 Fax:+1-714-460-0728

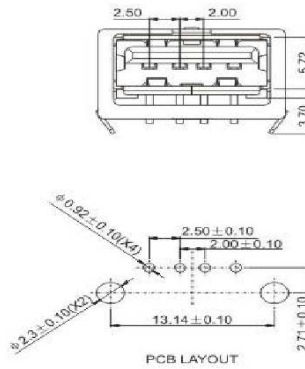
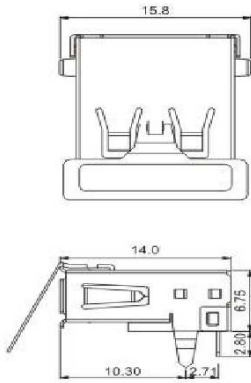
Northern California Office:

500 Yosemite Drive,
Milpitas, CA 95035 USA
Tel:+1-408-855-8866 Fax:+1-408-855-8868

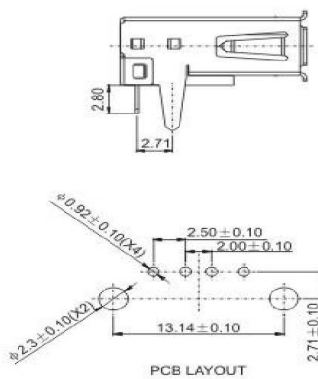
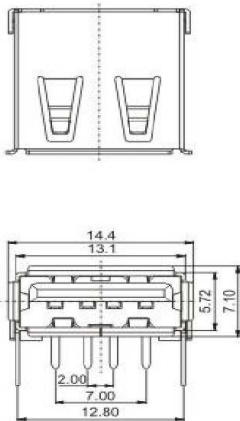
USB 2.0 Series



U2A017-00



U2A024-00



U2A026-00

Southern California Office:

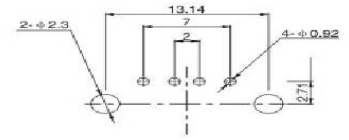
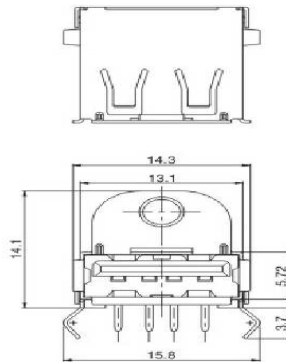
15991 Red Hill Avenue, Suite #102,
Tustin, CA 92780 USA
Tel:+1-714-460-0718 Fax:+1-714-460-0728

<http://www.palconnusa.com>

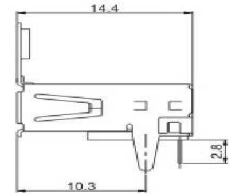
Northern California Office:

500 Yosemite Drive,
Milpitas, CA 95035 USA
Tel:+1-408-855-8866 Fax:+1-408-855-8868

USB 2.0 Series

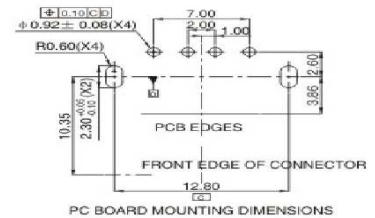
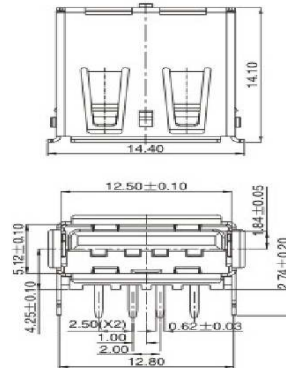
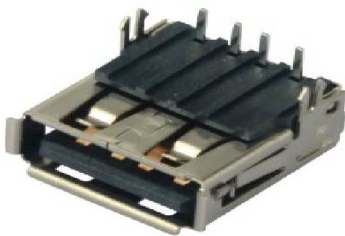


PCB LAYOUT (TOLERANCE=±0.05)

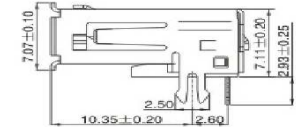


U2A029-00

Automotive connector

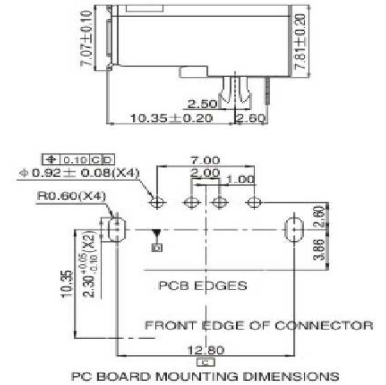
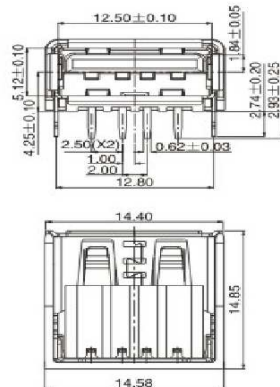


PC BOARD MOUNTING DIMENSIONS



U2A167-00

Automotive connector



PC BOARD MOUNTING DIMENSIONS

U2A191-00

Southern California Office:

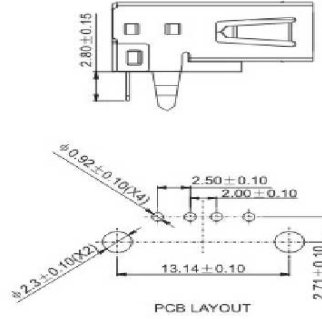
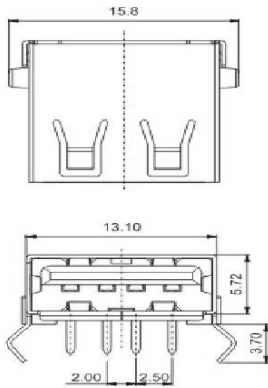
15991 Red Hill Avenue, Suite #102,
Tustin, CA 92780 USA
Tel:+1-714-460-0718 Fax:+1-714-460-0728

<http://www.palconnusa.com>

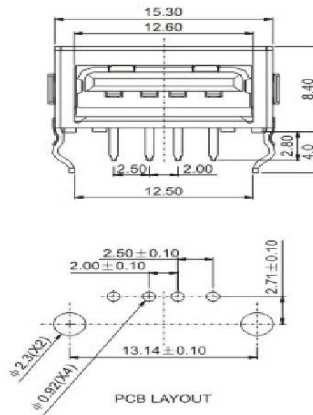
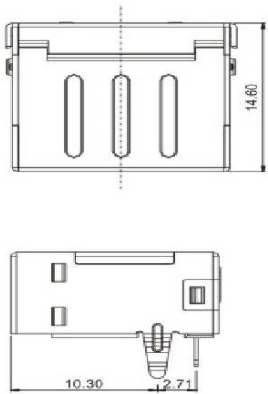
Northern California Office:

500 Yosemite Drive,
Milpitas, CA 95035 USA
Tel:+1-408-855-8866 Fax:+1-408-855-8868

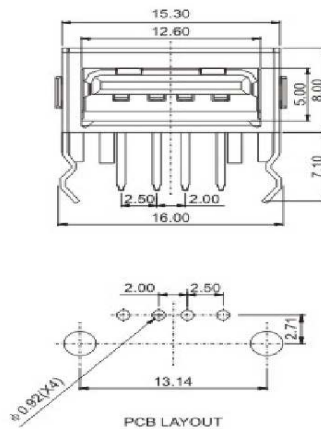
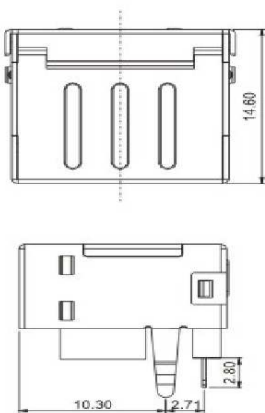
USB 2.0 Series



U2A209-00



U2A033-00



U2A035-00

Southern California Office:

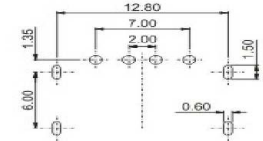
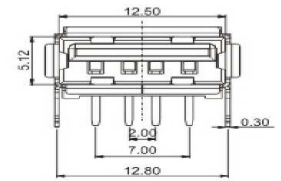
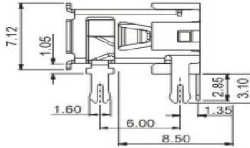
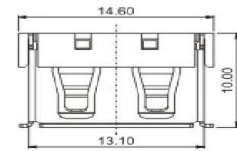
15991 Red Hill Avenue, Suite #102,
Tustin, CA 92780 USA
Tel:+1-714-460-0718 Fax:+1-714-460-0728

<http://www.palconnusa.com>

Northern California Office:

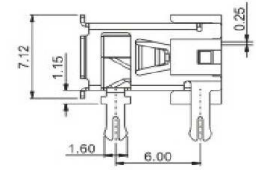
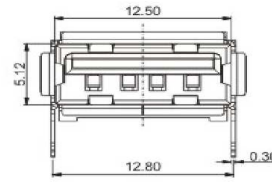
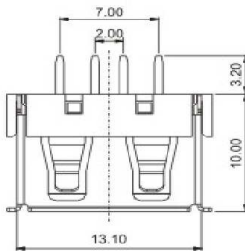
500 Yosemite Drive,
Milpitas, CA 95035 USA
Tel:+1-408-855-8866 Fax:+1-408-855-8868

USB 2.0 Series

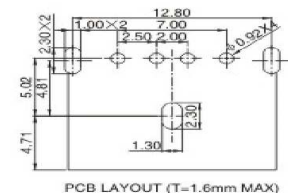
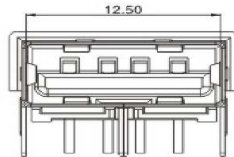
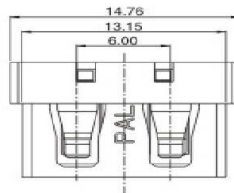


PCB LAYOUT

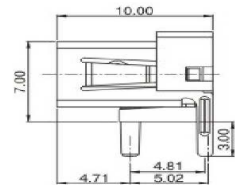
U2A036-00



U2A039-00



PCB LAYOUT (T=1.6mm MAX)



U2A042-00

Southern California Office:

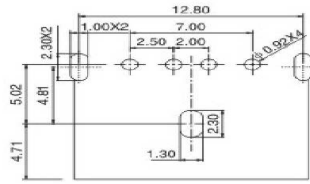
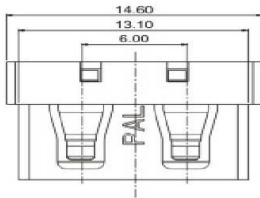
15991 Red Hill Avenue, Suite #102,
Tustin, CA 92780 USA
Tel:+1-714-460-0718 Fax:+1-714-460-0728

<http://www.palconnusa.com>

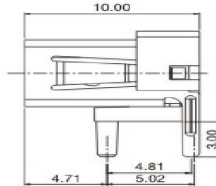
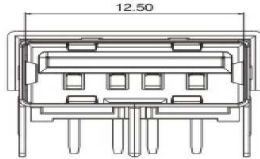
Northern California Office:

500 Yosemite Drive,
Milpitas, CA 95035 USA
Tel:+1-408-855-8866 Fax:+1-408-855-8868

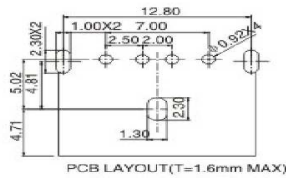
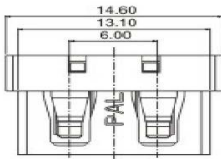
USB 2.0 Series



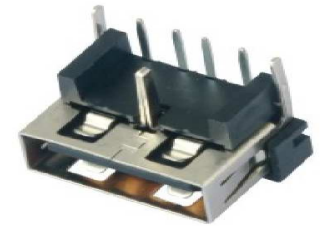
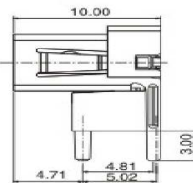
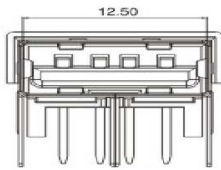
PCB LAYOUT(T=1.6mm MAX)



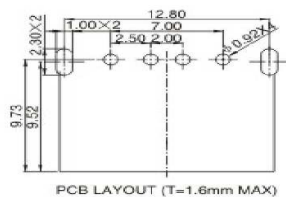
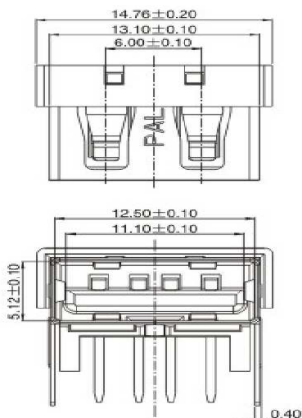
U2A043-00



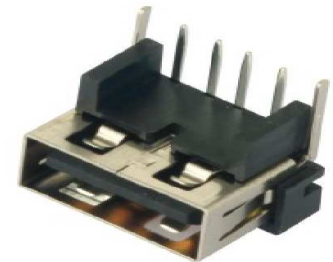
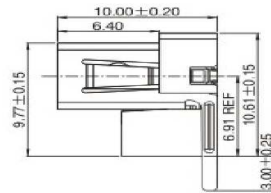
PCB LAYOUT(T=1.6mm MAX)



U2A044-00



PCB LAYOUT (T=1.6mm MAX)



U2A195-00

Southern California Office:

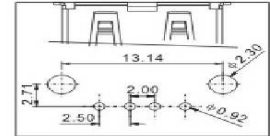
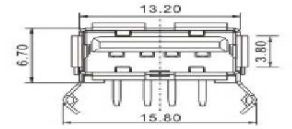
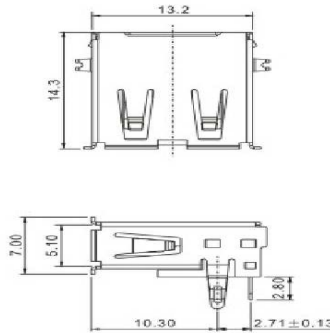
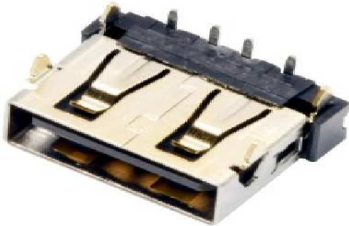
15991 Red Hill Avenue, Suite #102,
Tustin, CA 92780 USA
Tel:+1-714-460-0718 Fax:+1-714-460-0728

<http://www.palconnusa.com>

Northern California Office:

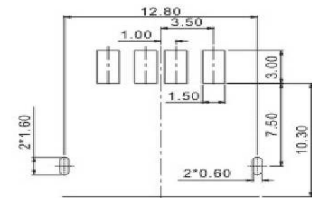
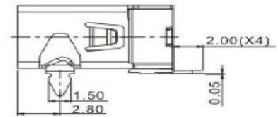
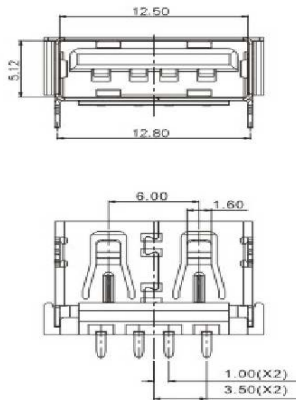
500 Yosemite Drive,
Milpitas, CA 95035 USA
Tel:+1-408-855-8866 Fax:+1-408-855-8868

USB 2.0 Series



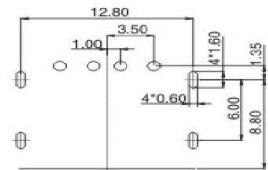
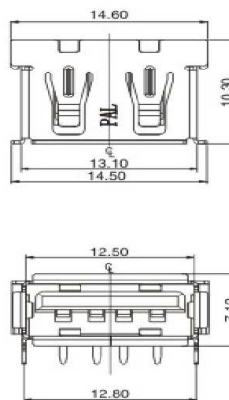
PCB LAYOUT

U2A135-00

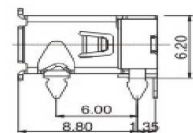


RECOMMENDED P.C.B.LAYOUT (PCB T=1.00 MAX.)

U2A172-00



RECOMMENDED P.C.B.LAYOUT (PCB T=1.00 MAX.)



U2A184-00

Southern California Office:

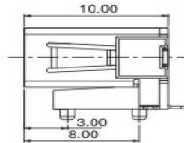
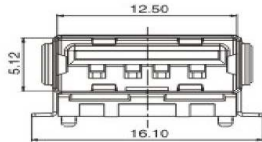
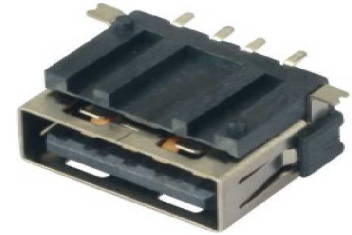
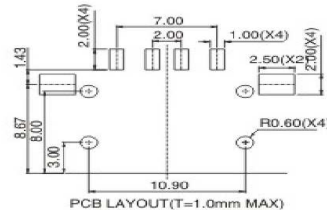
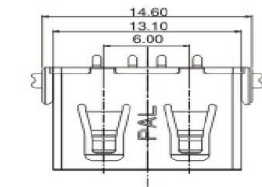
15991 Red Hill Avenue, Suite #102,
Tustin, CA 92780 USA
Tel:+1-714-460-0718 Fax:+1-714-460-0728

<http://www.palconnusa.com>

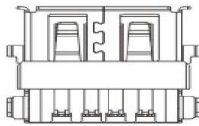
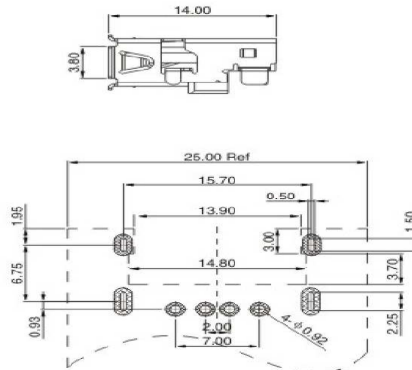
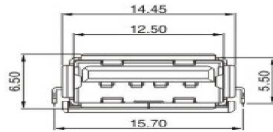
Northern California Office:

500 Yosemite Drive,
Milpitas, CA 95035 USA
Tel:+1-408-855-8866 Fax:+1-408-855-8868

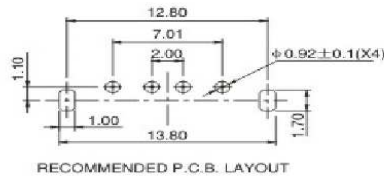
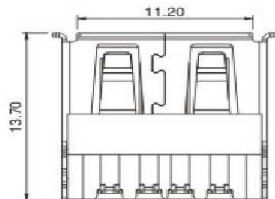
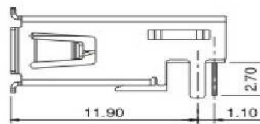
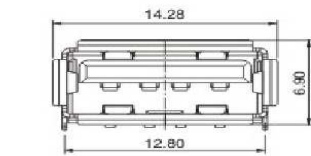
USB 2.0 Series



U2A168-00



U2A056-00



U2A207-00

Southern California Office:

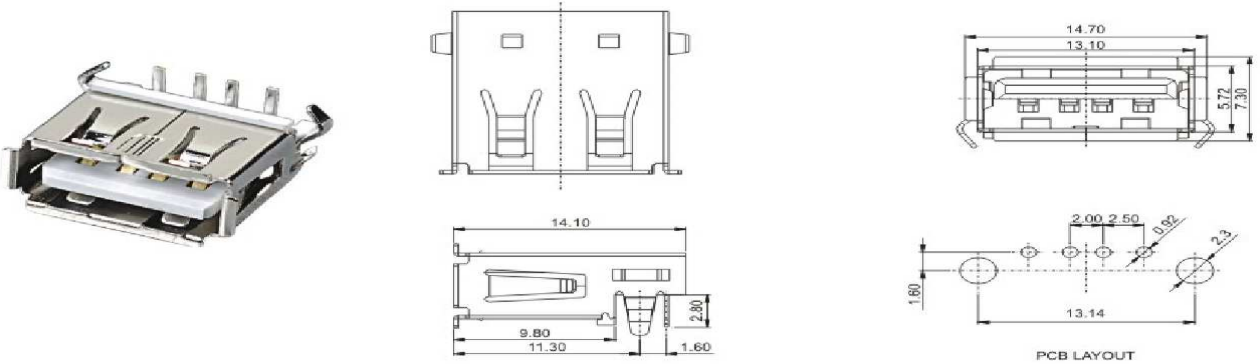
15991 Red Hill Avenue, Suite #102,
Tustin, CA 92780 USA
Tel:+1-714-460-0718 Fax:+1-714-460-0728

<http://www.palconnusa.com>

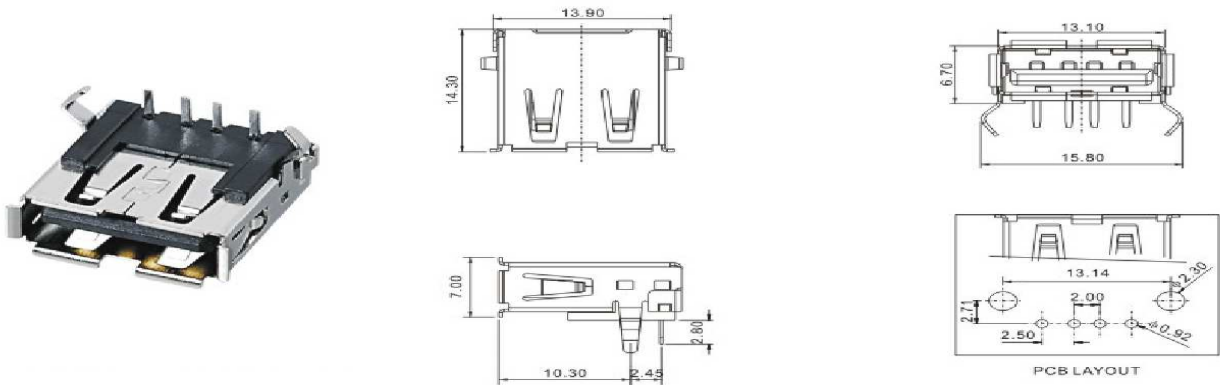
Northern California Office:

500 Yosemite Drive,
Milpitas, CA 95035 USA
Tel:+1-408-855-8866 Fax:+1-408-855-8868

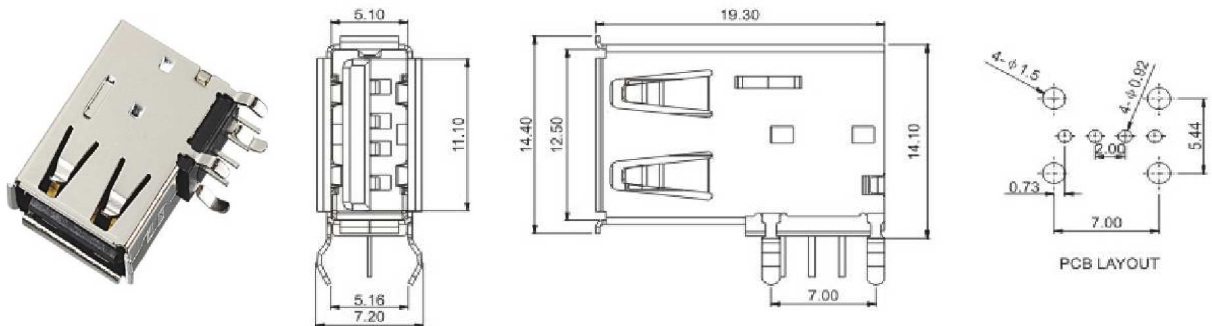
USB 2.0 Series



U2A208-00



U2A129-00



U2A001-00

Southern California Office:

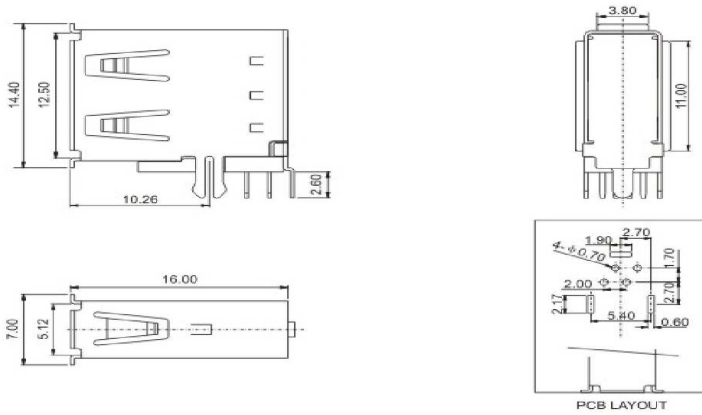
15991 Red Hill Avenue, Suite #102,
Tustin, CA 92780 USA
Tel:+1-714-460-0718 Fax:+1-714-460-0728

<http://www.palconnusa.com>

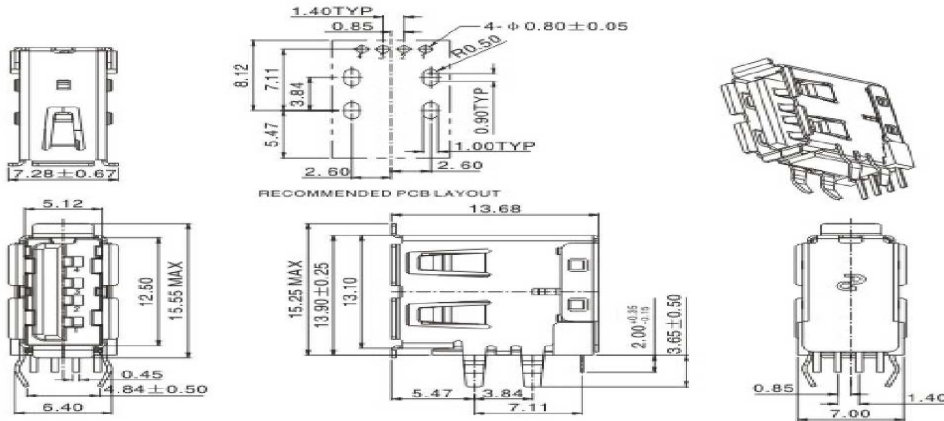
Northern California Office:

500 Yosemite Drive,
Milpitas, CA 95035 USA
Tel:+1-408-855-8866 Fax:+1-408-855-8868

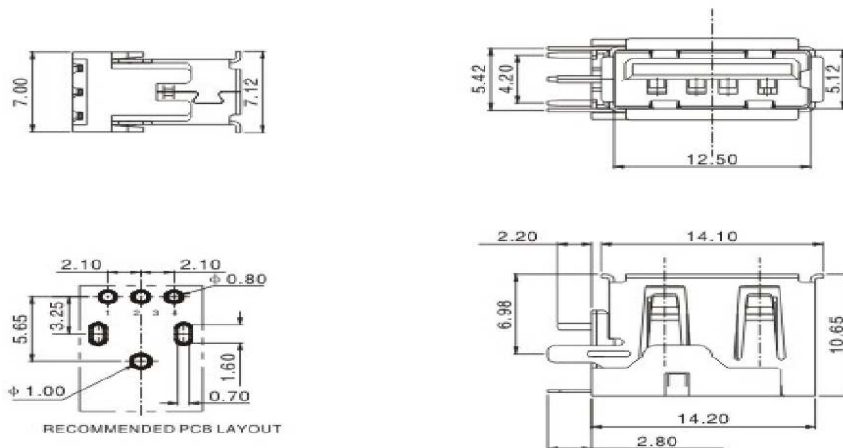
USB 2.0 Series



U2A125-00



U2A162-00



U2A187-00

Southern California Office:

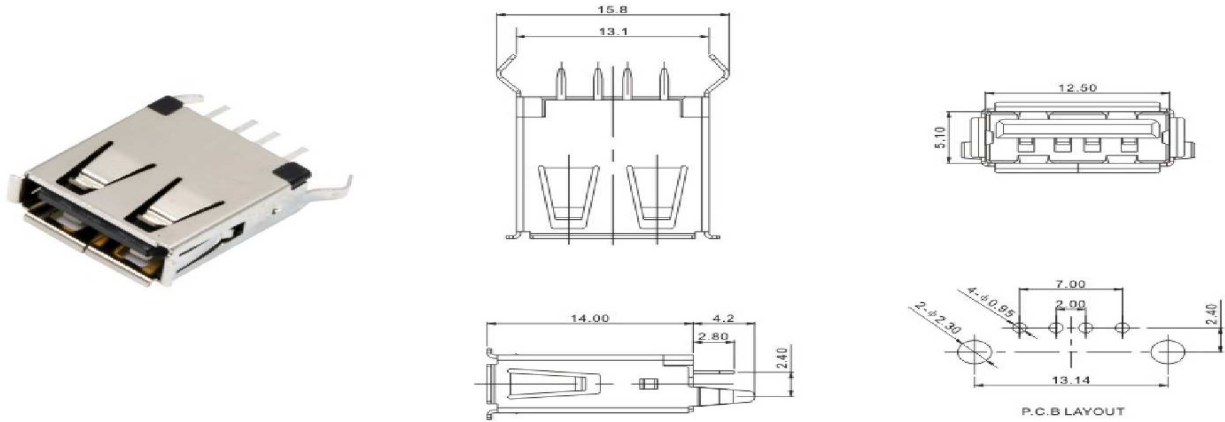
15991 Red Hill Avenue, Suite #102,
Tustin, CA 92780 USA
Tel:+1-714-460-0718 Fax:+1-714-460-0728

<http://www.palconnusa.com>

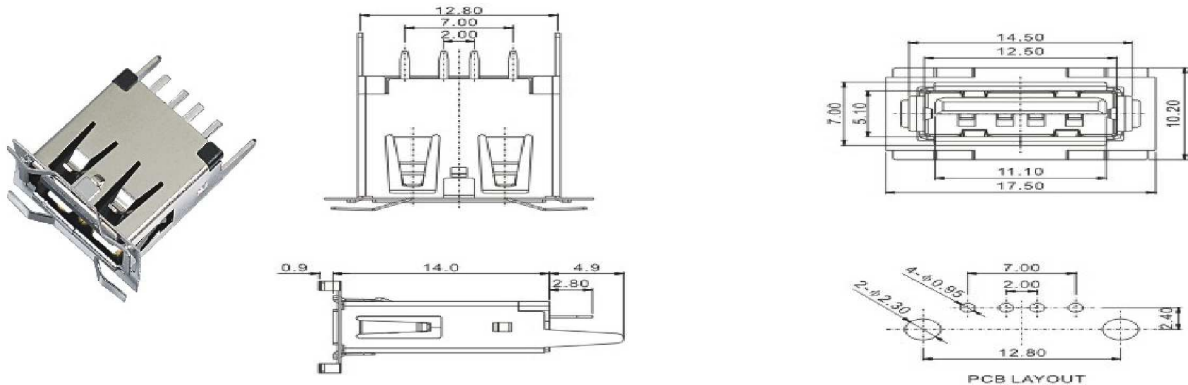
Northern California Office:

500 Yosemite Drive,
Milpitas, CA 95035 USA
Tel:+1-408-855-8866 Fax:+1-408-855-8868

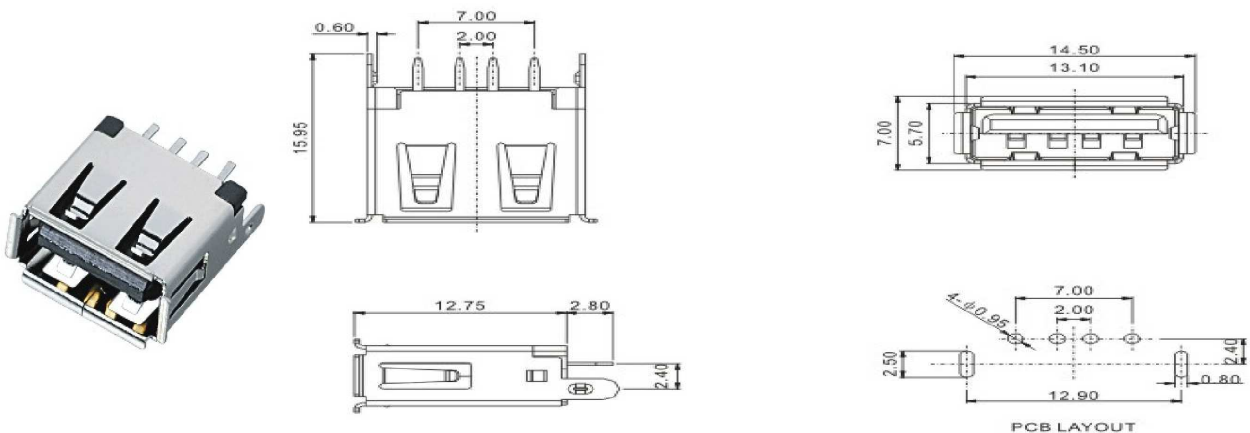
USB 2.0 Series



U2A006-00



U2A008-00



U2A009-00

Southern California Office:

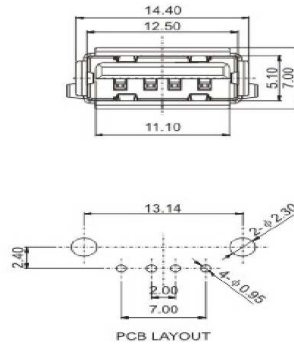
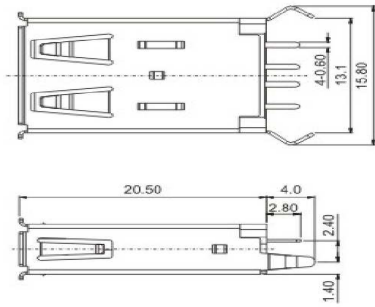
15991 Red Hill Avenue, Suite #102,
Tustin, CA 92780 USA
Tel:+1-714-460-0718 Fax:+1-714-460-0728

<http://www.palconnusa.com>

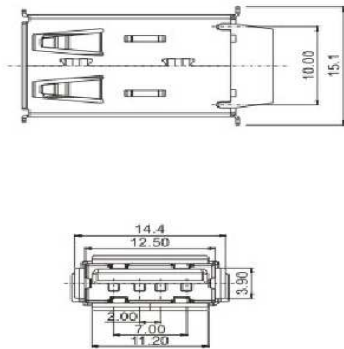
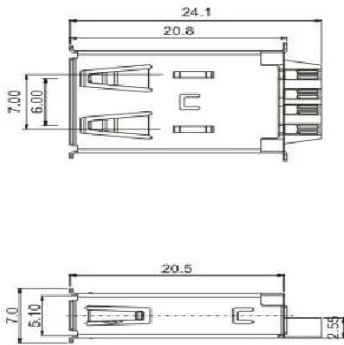
Northern California Office:

500 Yosemite Drive,
Milpitas, CA 95035 USA
Tel:+1-408-855-8866 Fax:+1-408-855-8868

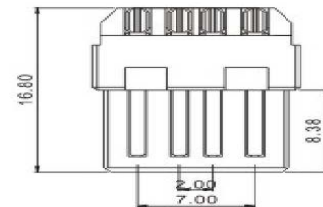
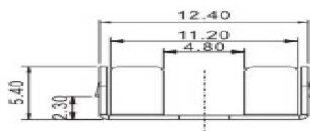
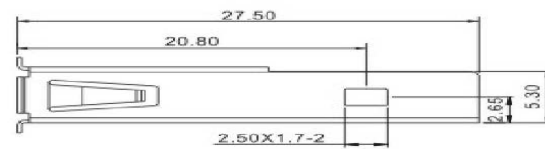
USB 2.0 Series



U2A051-00



U2A052-00



U2A138-00

Southern California Office:

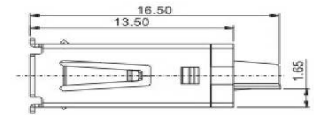
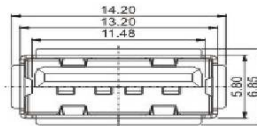
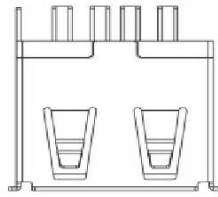
15991 Red Hill Avenue, Suite #102,
Tustin, CA 92780 USA
Tel:+1-714-460-0718 Fax:+1-714-460-0728

<http://www.palconnusa.com>

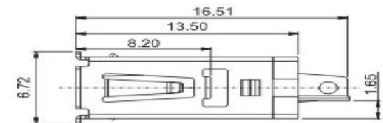
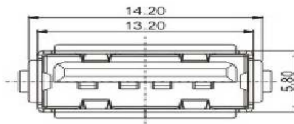
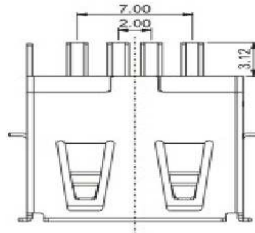
Northern California Office:

500 Yosemite Drive,
Milpitas, CA 95035 USA
Tel:+1-408-855-8866 Fax:+1-408-855-8868

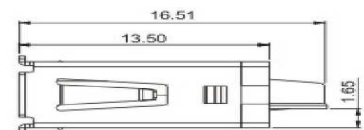
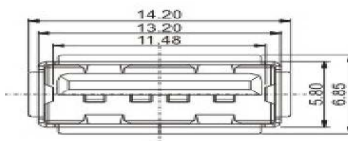
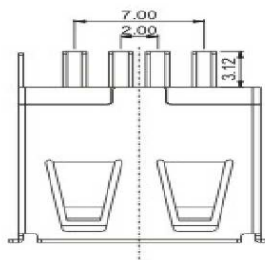
USB 2.0 Series



U2A058-00



U2A062-00



U2A065-00

Southern California Office:

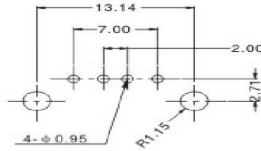
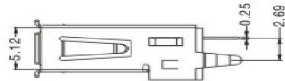
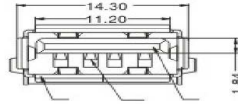
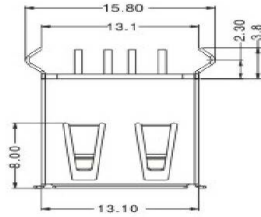
15991 Red Hill Avenue, Suite #102,
Tustin, CA 92780 USA
Tel:+1-714-460-0718 Fax:+1-714-460-0728

<http://www.palconnusa.com>

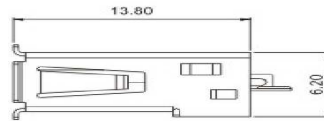
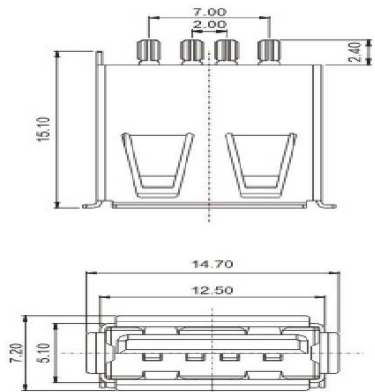
Northern California Office:

500 Yosemite Drive,
Milpitas, CA 95035 USA
Tel:+1-408-855-8866 Fax:+1-408-855-8868

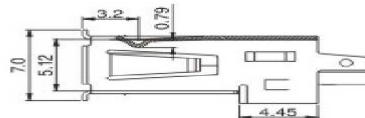
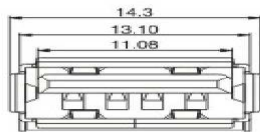
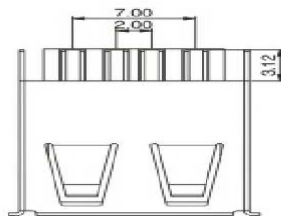
USB 2.0 Series



U2A068-00



U2A069-00



U2A070-00

Southern California Office:

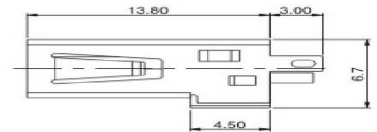
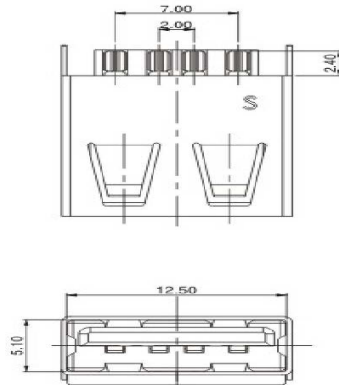
15991 Red Hill Avenue, Suite #102,
Tustin, CA 92780 USA
Tel:+1-714-460-0718 Fax:+1-714-460-0728

<http://www.palconnusa.com>

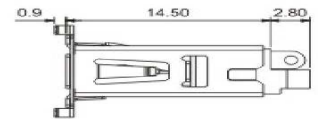
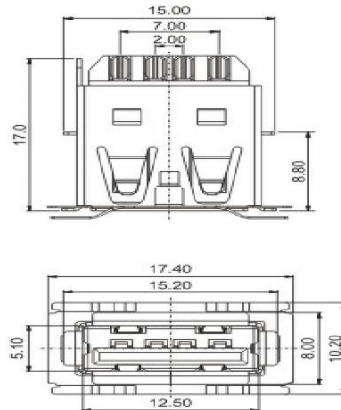
Northern California Office:

500 Yosemite Drive,
Milpitas, CA 95035 USA
Tel:+1-408-855-8866 Fax:+1-408-855-8868

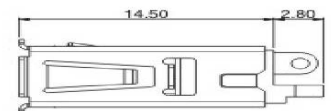
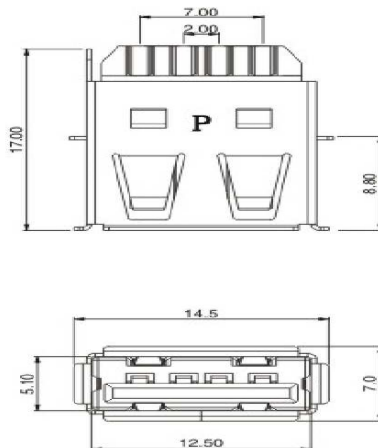
USB 2.0 Series



U2A198-00



U2A085-00



U2A087-00

Southern California Office:

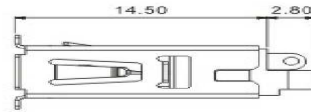
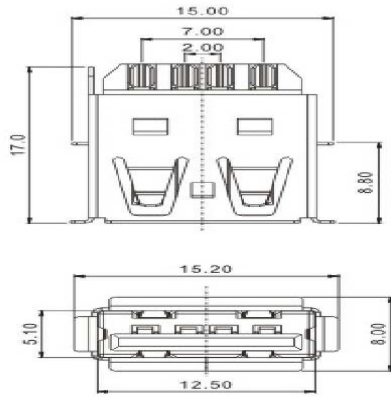
15991 Red Hill Avenue, Suite #102,
Tustin, CA 92780 USA
Tel:+1-714-460-0718 Fax:+1-714-460-0728

<http://www.palconnusa.com>

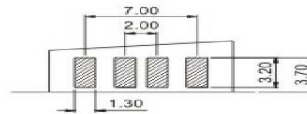
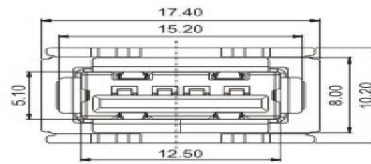
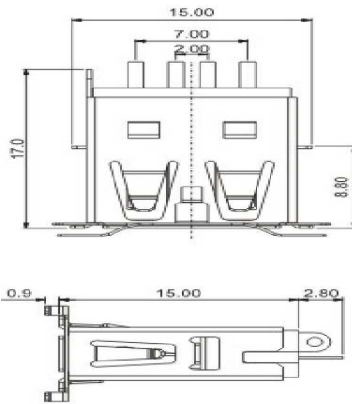
Northern California Office:

500 Yosemite Drive,
Milpitas, CA 95035 USA
Tel:+1-408-855-8866 Fax:+1-408-855-8868

USB 2.0 Series



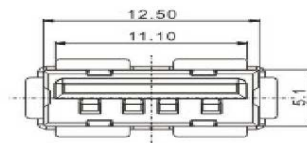
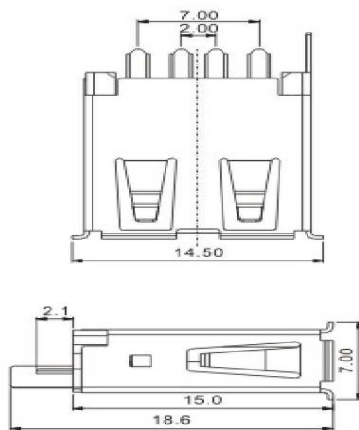
U2A088-00



PCB LAYOUT



U2A091-00



U2A096-00

Southern California Office:

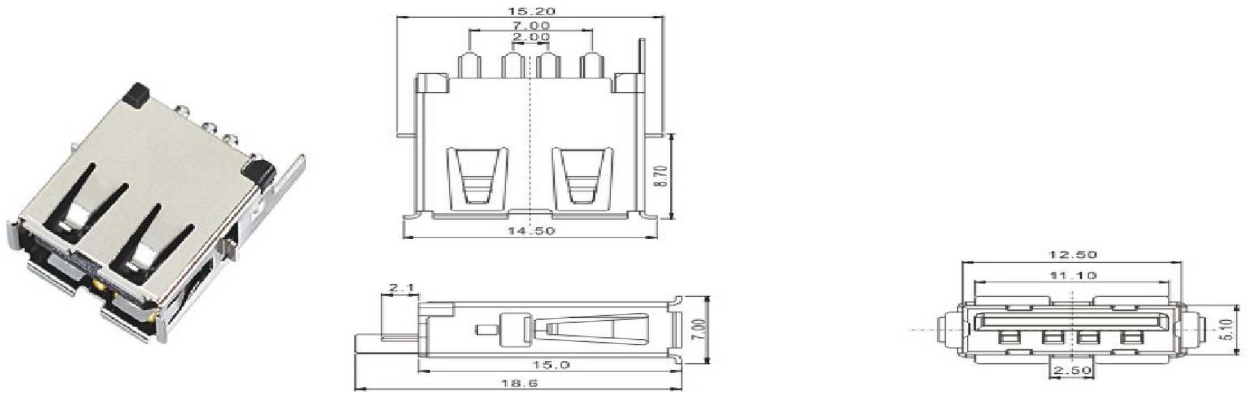
15991 Red Hill Avenue, Suite #102,
Tustin, CA 92780 USA
Tel:+1-714-460-0718 Fax:+1-714-460-0728

<http://www.palconnusa.com>

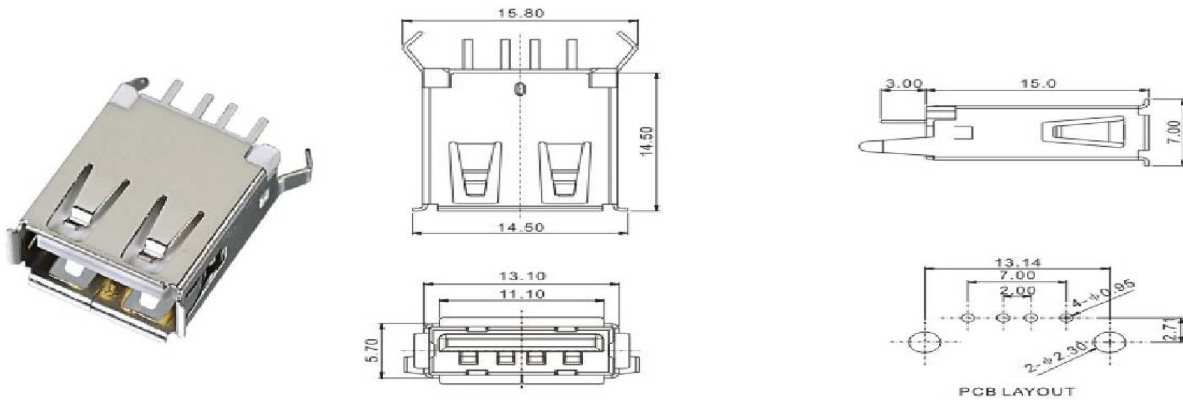
Northern California Office:

500 Yosemite Drive,
Milpitas, CA 95035 USA
Tel:+1-408-855-8866 Fax:+1-408-855-8868

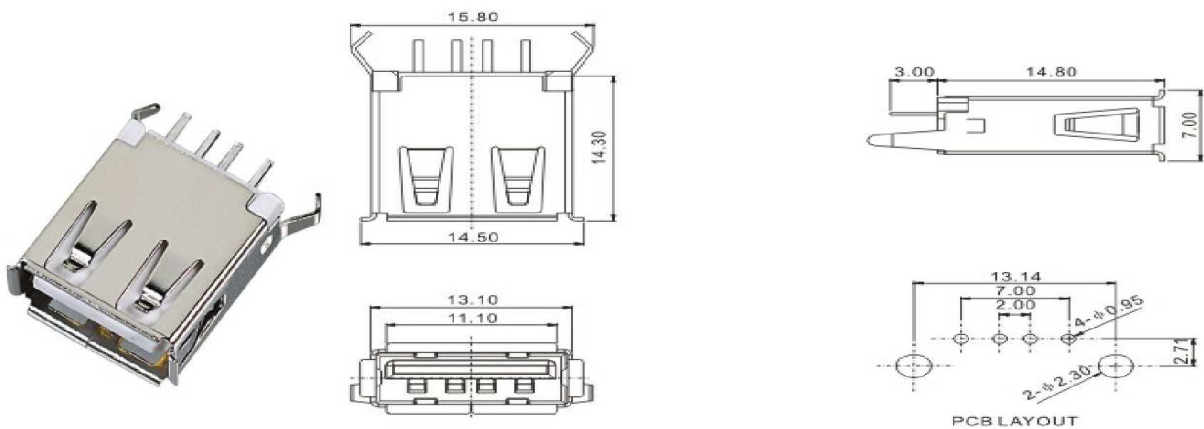
USB 2.0 Series



U2A097-00



U2A098-00



U2A102-00

Southern California Office:

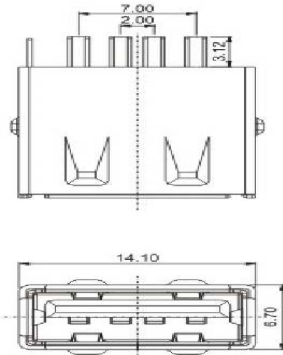
15991 Red Hill Avenue, Suite #102,
Tustin, CA 92780 USA
Tel:+1-714-460-0718 Fax:+1-714-460-0728

<http://www.palconnusa.com>

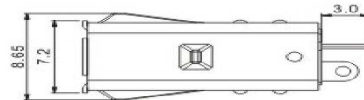
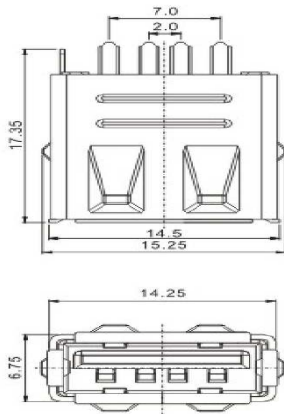
Northern California Office:

500 Yosemite Drive,
Milpitas, CA 95035 USA
Tel:+1-408-855-8866 Fax:+1-408-855-8868

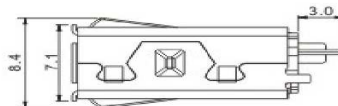
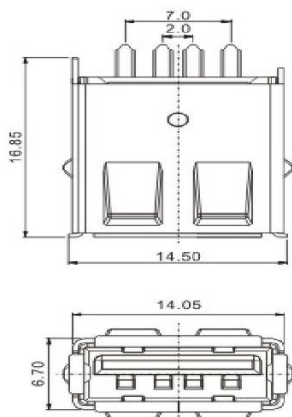
USB 2.0 Series



U2A060-00



U2A103-00



U2A108-00

Southern California Office:

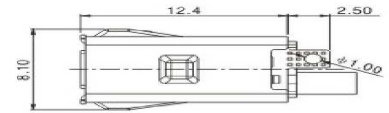
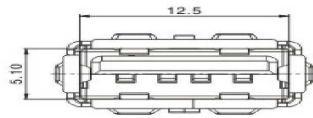
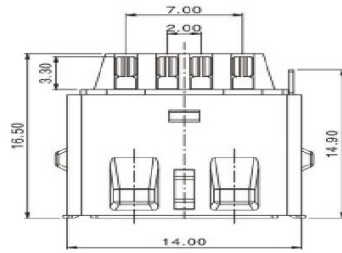
15991 Red Hill Avenue, Suite #102,
Tustin, CA 92780 USA
Tel:+1-714-460-0718 Fax:+1-714-460-0728

<http://www.palconnusa.com>

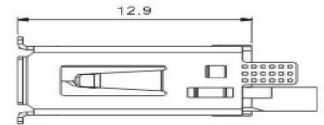
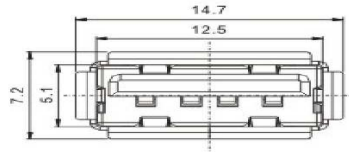
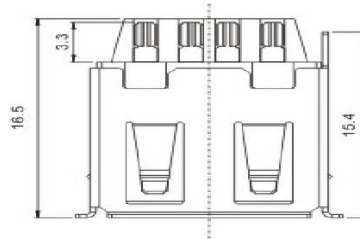
Northern California Office:

500 Yosemite Drive,
Milpitas, CA 95035 USA
Tel:+1-408-855-8866 Fax:+1-408-855-8868

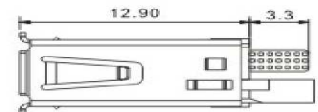
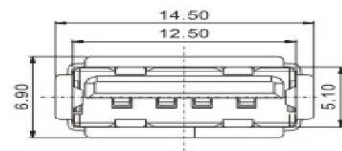
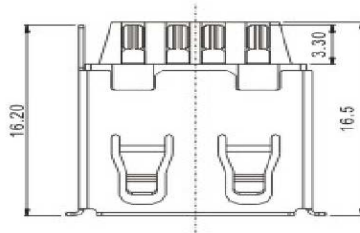
USB 2.0 Series



U2A120-00



U2A116-00



U2A124-00

Southern California Office:

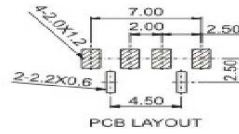
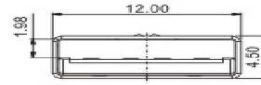
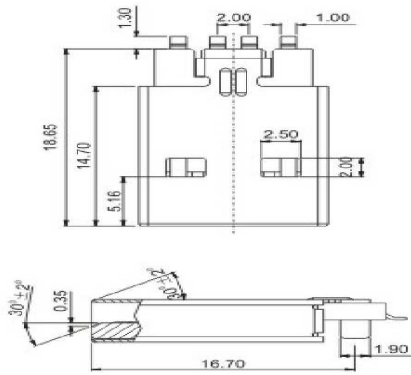
15991 Red Hill Avenue, Suite #102,
Tustin, CA 92780 USA
Tel:+1-714-460-0718 Fax:+1-714-460-0728

<http://www.palconnusa.com>

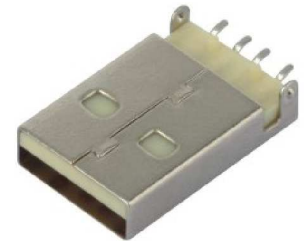
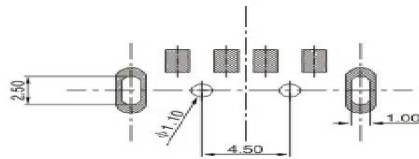
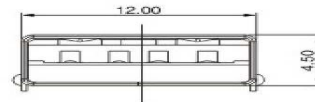
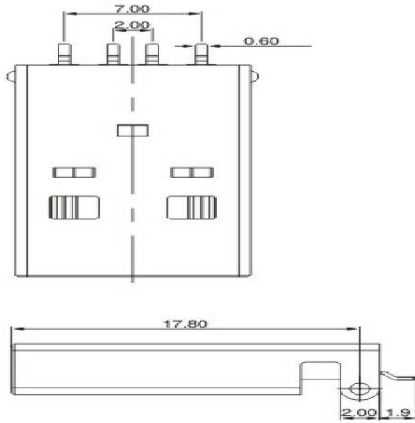
Northern California Office:

500 Yosemite Drive,
Milpitas, CA 95035 USA
Tel:+1-408-855-8866 Fax:+1-408-855-8868

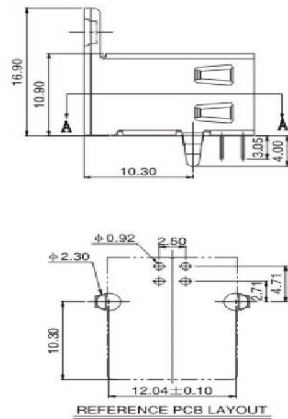
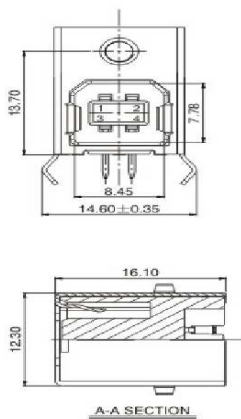
USB 2.0 Series



U2A045-00



U2A148-00



U2B001-00

Southern California Office:

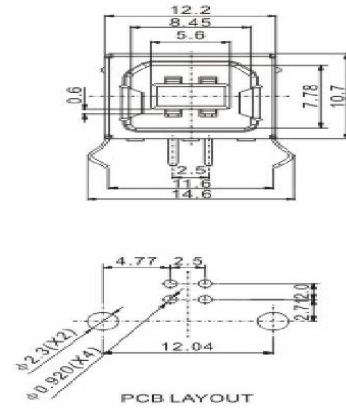
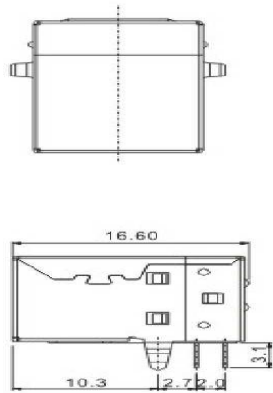
15991 Red Hill Avenue, Suite #102,
Tustin, CA 92780 USA
Tel:+1-714-460-0718 Fax:+1-714-460-0728

<http://www.palconnusa.com>

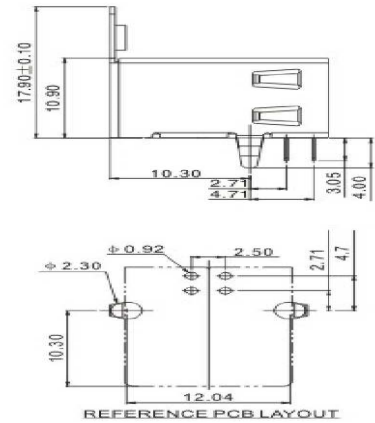
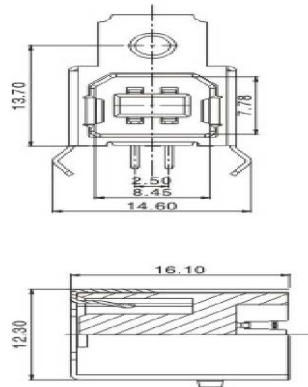
Northern California Office:

500 Yosemite Drive,
Milpitas, CA 95035 USA
Tel:+1-408-855-8866 Fax:+1-408-855-8868

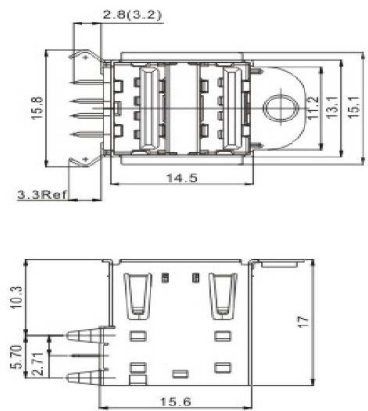
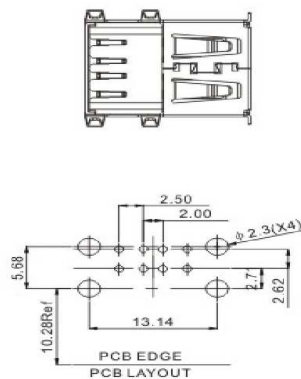
USB 2.0 Series



U2B005-00



U2B007-00



U2C001-00

Southern California Office:

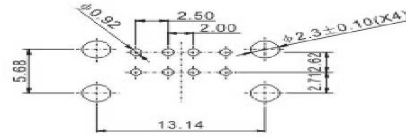
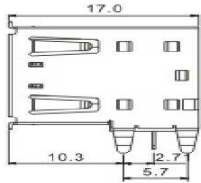
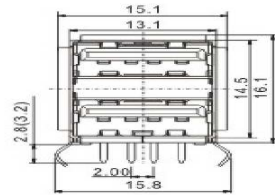
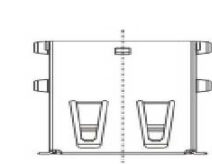
15991 Red Hill Avenue, Suite #102,
Tustin, CA 92780 USA
Tel:+1-714-460-0718 Fax:+1-714-460-0728

<http://www.palconnusa.com>

Northern California Office:

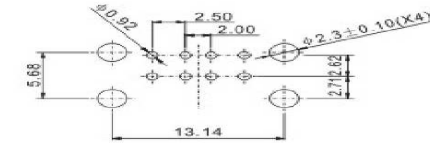
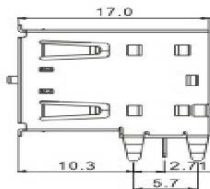
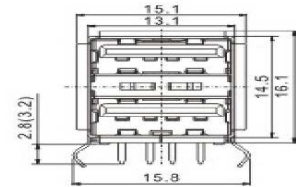
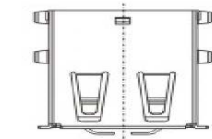
500 Yosemite Drive,
Milpitas, CA 95035 USA
Tel:+1-408-855-8866 Fax:+1-408-855-8868

USB 2.0 Series



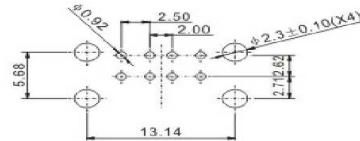
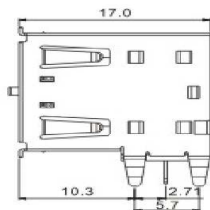
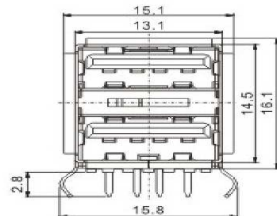
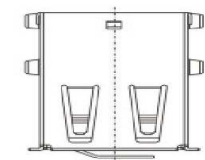
PCB LAYOUT

U2C007-00



PCB LAYOUT

U2C036-00



PCB LAYOUT

U2C044-00

Southern California Office:

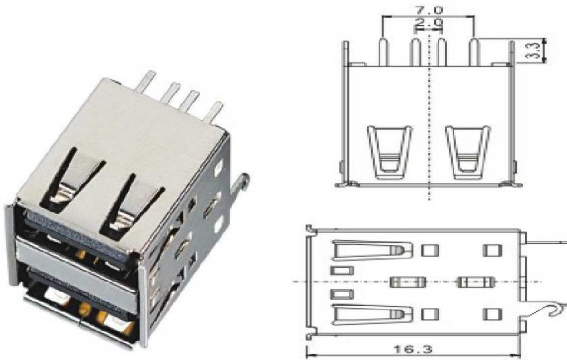
15991 Red Hill Avenue, Suite #102,
Tustin, CA 92780 USA
Tel:+1-714-460-0718 Fax:+1-714-460-0728

<http://www.palconnusa.com>

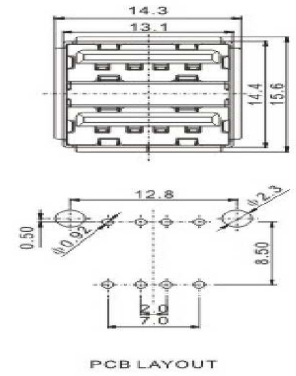
Northern California Office:

500 Yosemite Drive,
Milpitas, CA 95035 USA
Tel:+1-408-855-8866 Fax:+1-408-855-8868

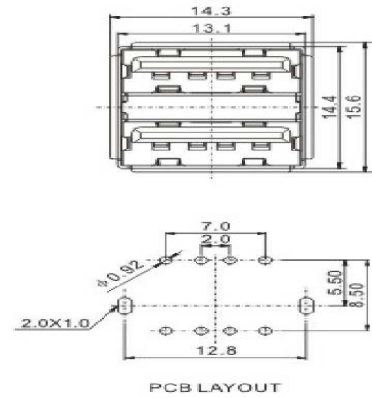
USB 2.0 Series



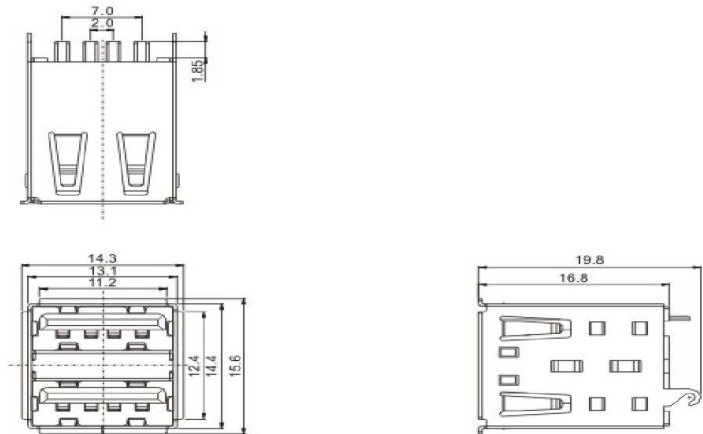
U2C059-00



U2C063-00



U2C076-00



Southern California Office:

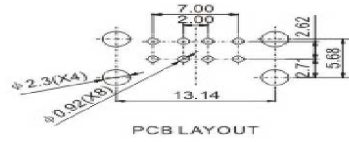
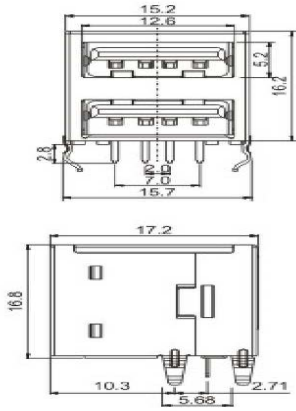
15991 Red Hill Avenue, Suite #102,
Tustin, CA 92780 USA
Tel:+1-714-460-0718 Fax:+1-714-460-0728

<http://www.palconnusa.com>

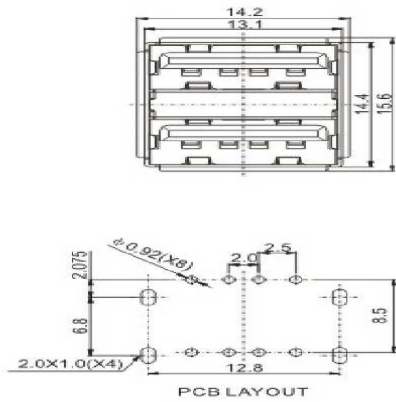
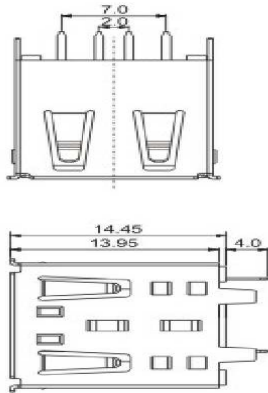
Northern California Office:

500 Yosemite Drive,
Milpitas, CA 95035 USA
Tel:+1-408-855-8866 Fax:+1-408-855-8868

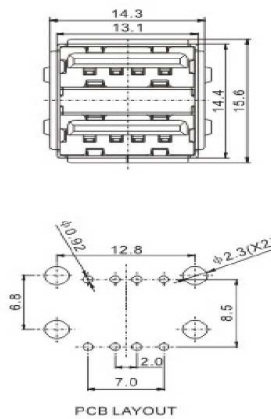
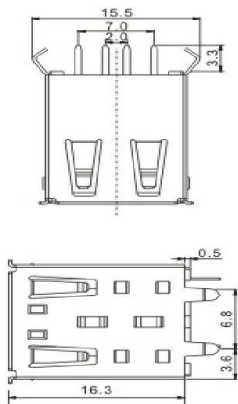
USB 2.0 Series



U2C081-00



U2C096-00



U2C105-00

Southern California Office:

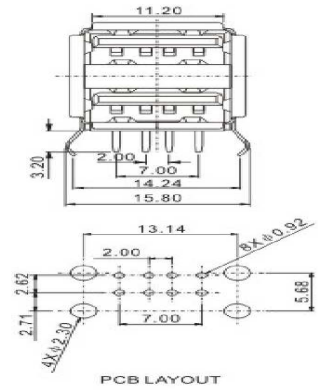
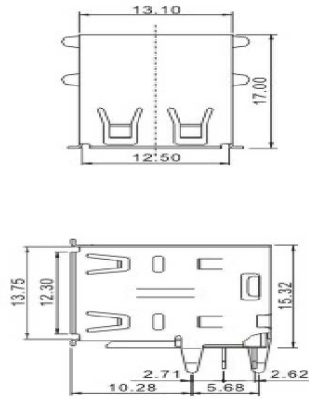
15991 Red Hill Avenue, Suite #102,
Tustin, CA 92780 USA
Tel:+1-714-460-0718 Fax:+1-714-460-0728

<http://www.palconnusa.com>

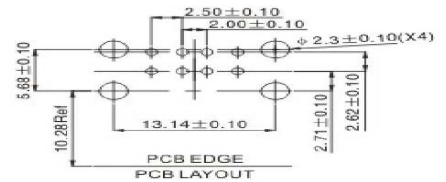
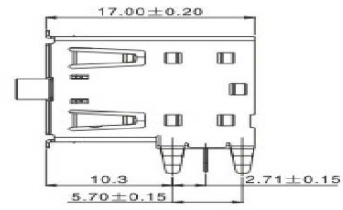
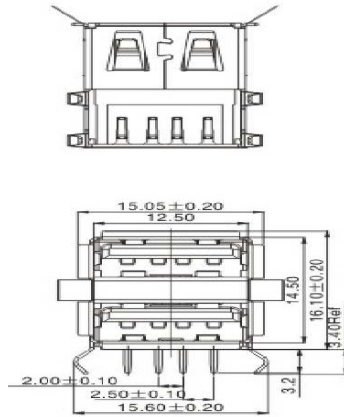
Northern California Office:

500 Yosemite Drive,
Milpitas, CA 95035 USA
Tel:+1-408-855-8866 Fax:+1-408-855-8868

USB 2.0 Series



U2C111-00



U2C138-00

Southern California Office:

15991 Red Hill Avenue, Suite #102,
Tustin, CA 92780 USA
Tel:+1-714-460-0718 Fax:+1-714-460-0728

<http://www.palconnusa.com>

Northern California Office:

500 Yosemite Drive,
Milpitas, CA 95035 USA
Tel:+1-408-855-8866 Fax:+1-408-855-8868



MICRO USB 2.0 SERIES

Temperature	-30°C ~ +85°C
Rated Load	AC 30V 1.5A
Contact Resistance	30mΩ Max
Insulation Resistance	1000MΩ Min
Withstanding Voltage	AC100V (50Hz)/min
Actuating Force	8-35N
Durability (Life)	10000 cycles Min

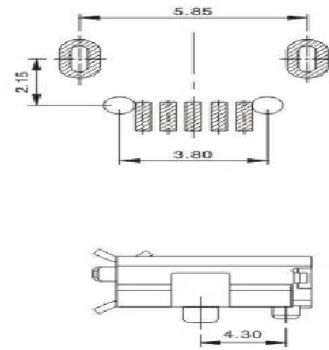
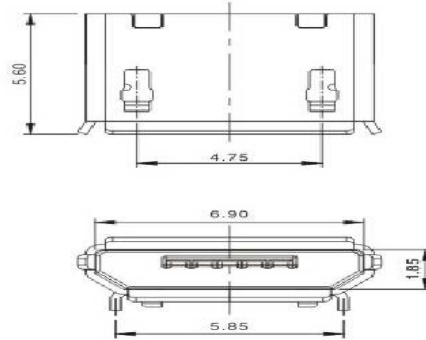
Southern California Office:

15991 Red Hill Avenue, Suite #102,
Tustin, CA 92780 USA
Tel:+1-714-460-0718 Fax:+1-714-460-0728

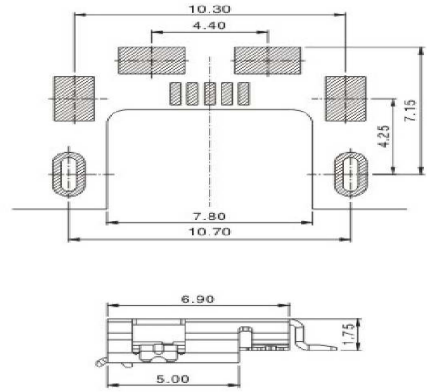
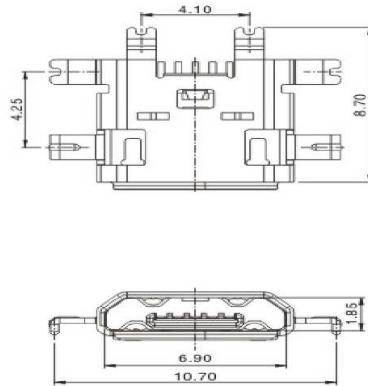
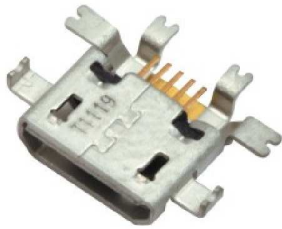
Northern California Office:

500 Yosemite Drive,
Milpitas, CA 95035 USA
Tel:+1-408-855-8866 Fax:+1-408-855-8868

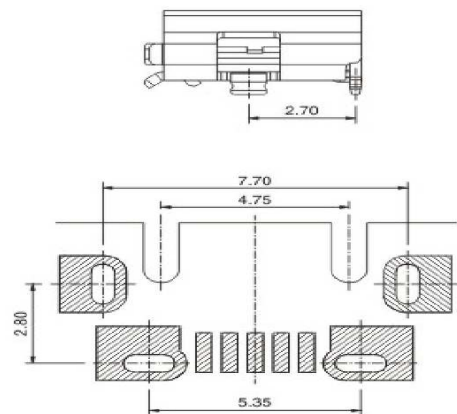
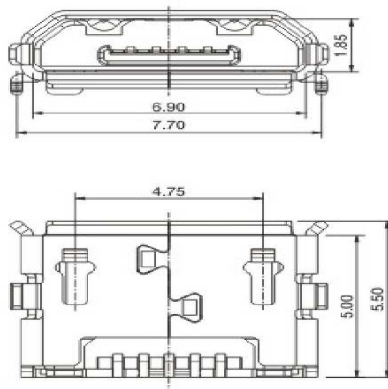
Micro USB 2.0 Series



MCB001-00



MCB002-00



MCB003-00

Southern California Office:

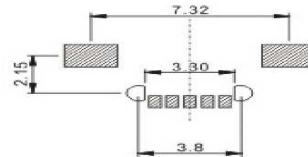
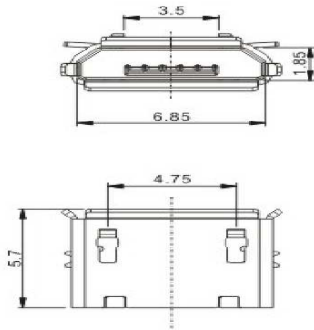
15991 Red Hill Avenue, Suite #102,
Tustin, CA 92780 USA
Tel:+1-714-460-0718 Fax:+1-714-460-0728

<http://www.palconnusa.com>

Northern California Office:

500 Yosemite Drive,
Milpitas, CA 95035 USA
Tel:+1-408-855-8866 Fax:+1-408-855-8868

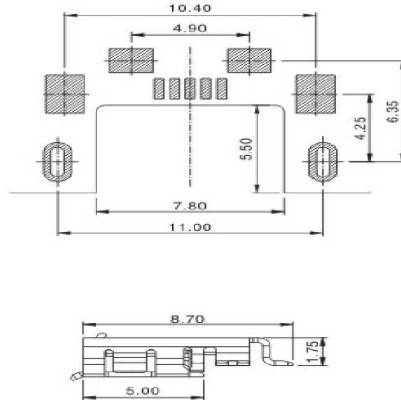
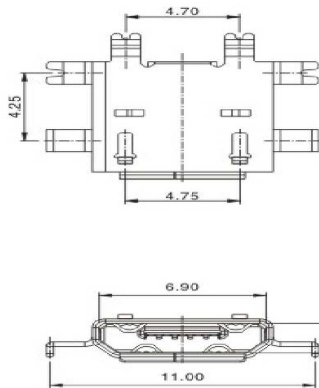
Micro USB 2.0 Series



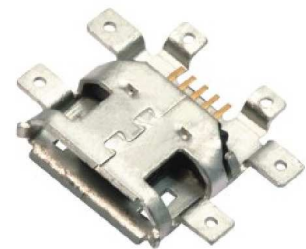
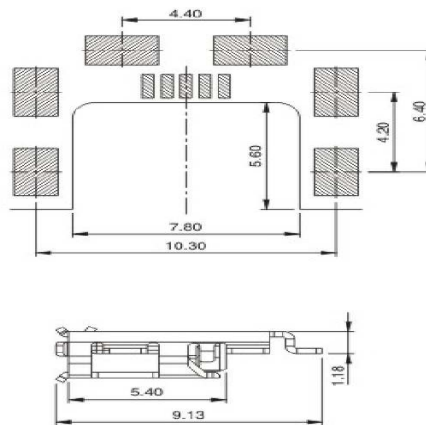
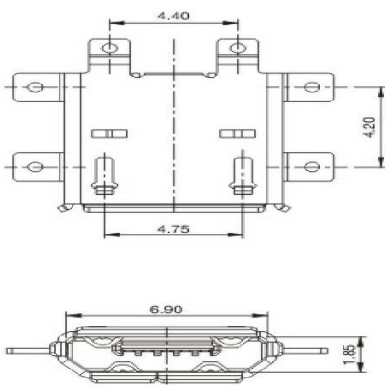
PCB LAYOUT (TOP VIEW)



MCB006-00



MCB014-00



MCB015-00

Southern California Office:

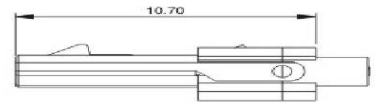
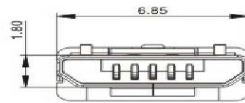
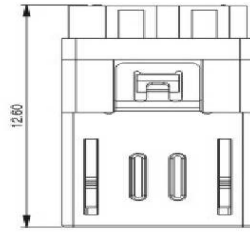
15991 Red Hill Avenue, Suite #102,
Tustin, CA 92780 USA
Tel:+1-714-460-0718 Fax:+1-714-460-0728

<http://www.palconnusa.com>

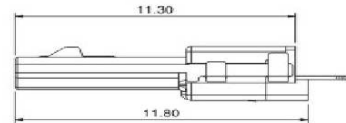
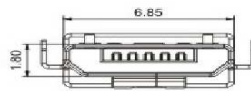
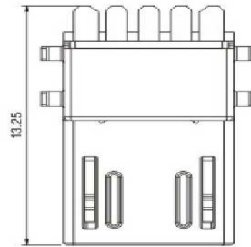
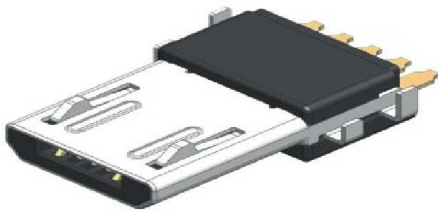
Northern California Office:

500 Yosemite Drive,
Milpitas, CA 95035 USA
Tel:+1-408-855-8866 Fax:+1-408-855-8868

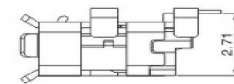
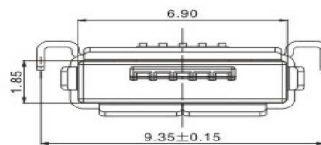
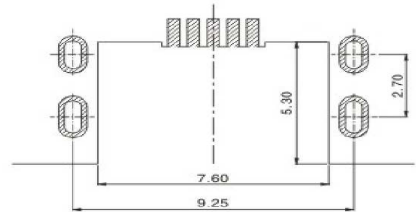
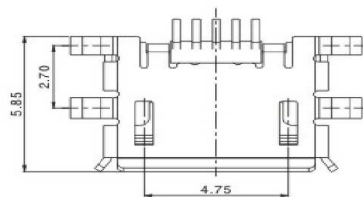
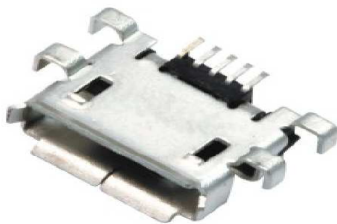
Micro USB 2.0 Series



B-ST-MCU-9-00



MCB030-00



MCC001-00

Southern California Office:

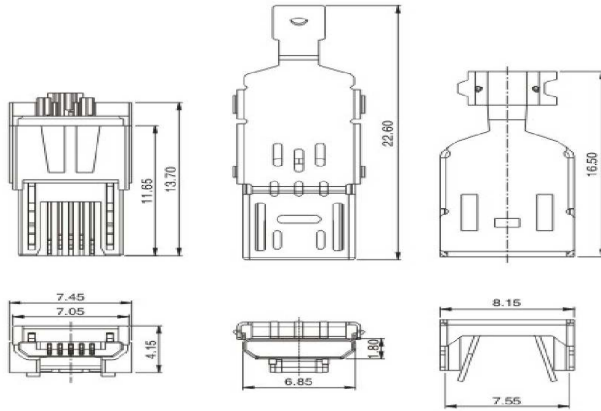
15991 Red Hill Avenue, Suite #102,
Tustin, CA 92780 USA
Tel:+1-714-460-0718 Fax:+1-714-460-0728

<http://www.palconnusa.com>

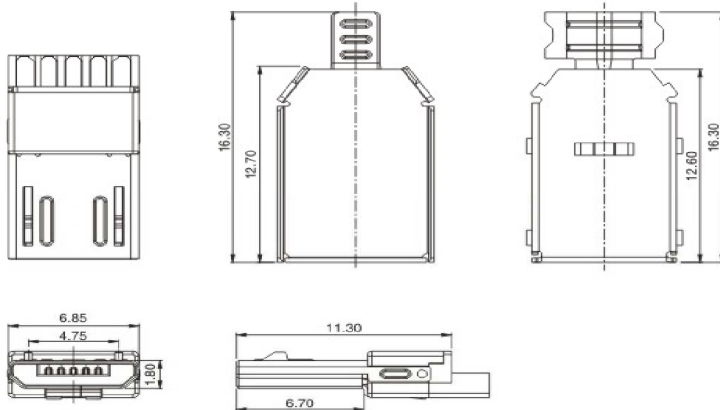
Northern California Office:

500 Yosemite Drive,
Milpitas, CA 95035 USA
Tel:+1-408-855-8866 Fax:+1-408-855-8868

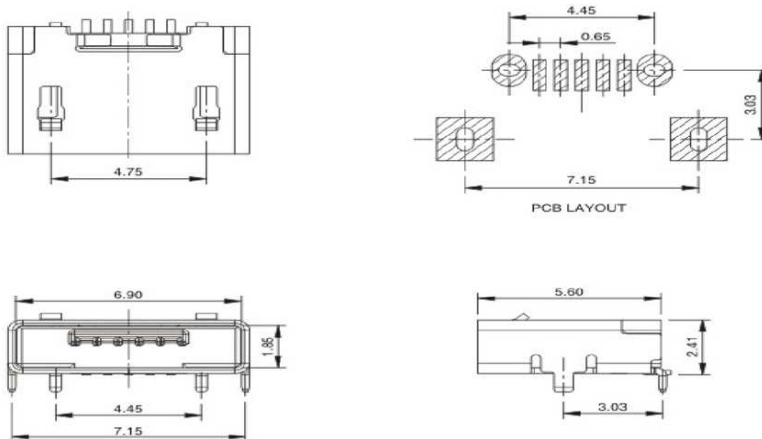
Micro USB 2.0 Series



MCB008-00



MCB017-00



MCC005-00

Southern California Office:

15991 Red Hill Avenue, Suite #102,
Tustin, CA 92780 USA
Tel:+1-714-460-0718 Fax:+1-714-460-0728

<http://www.palconnusa.com>

Northern California Office:

500 Yosemite Drive,
Milpitas, CA 95035 USA
Tel:+1-408-855-8866 Fax:+1-408-855-8868



MINI USB 2.0 SERIES

Temperature	-30°C ~ +85°C
Rated Load	AC 30V 1.0A
Contact Resistance	50mΩ Max
Insulation Resistance	100MΩ Min
Withstanding Voltage	AC100V (50Hz)/min
Actuating Force	"7N Min initial, 3N Min final, 35N Max"
Durability (Life)	5000 cycles Min

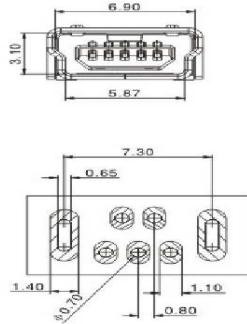
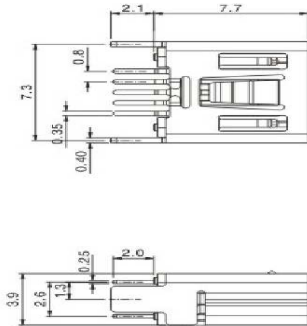
Southern California Office:

15991 Red Hill Avenue, Suite #102,
Tustin, CA 92780 USA
Tel:+1-714-460-0718 Fax:+1-714-460-0728

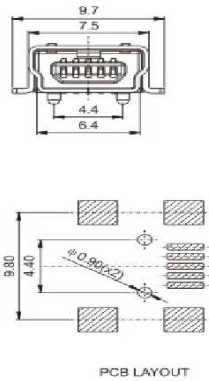
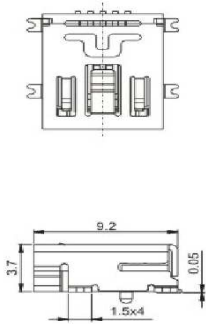
Northern California Office:

500 Yosemite Drive,
Milpitas, CA 95035 USA
Tel:+1-408-855-8866 Fax:+1-408-855-8868

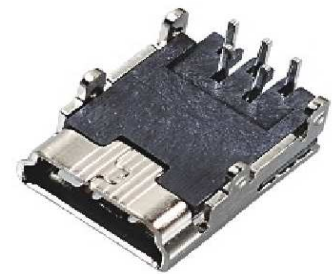
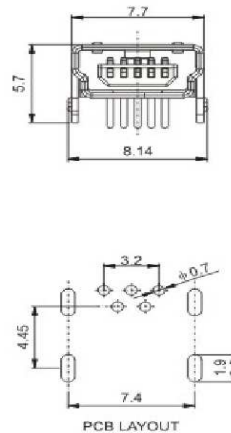
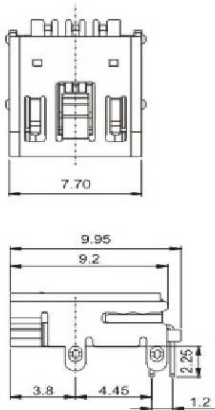
Mini USB 2.0 Series



MUB001-00



MUB003-00



MUB005-00

Southern California Office:

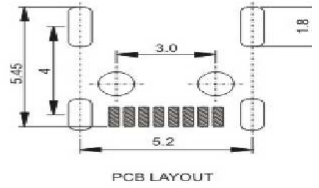
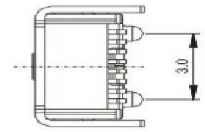
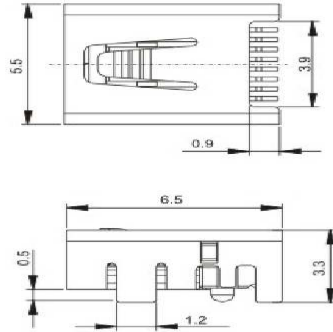
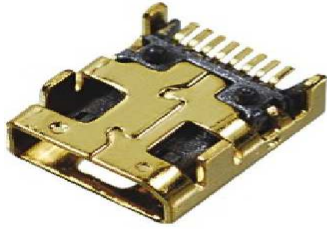
15991 Red Hill Avenue, Suite #102,
Tustin, CA 92780 USA
Tel:+1-714-460-0718 Fax:+1-714-460-0728

<http://www.palconnusa.com>

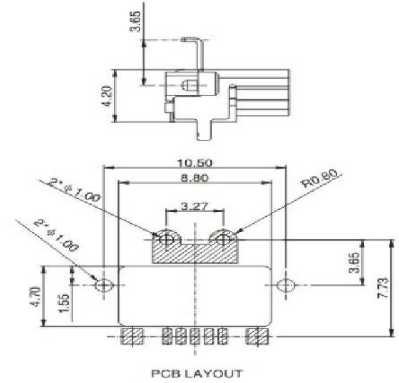
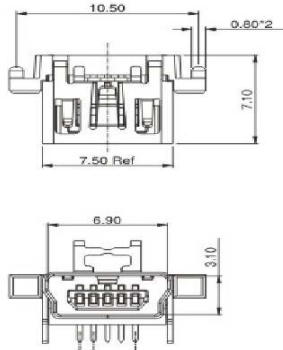
Northern California Office:

500 Yosemite Drive,
Milpitas, CA 95035 USA
Tel:+1-408-855-8866 Fax:+1-408-855-8868

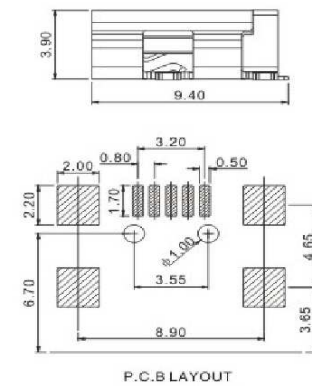
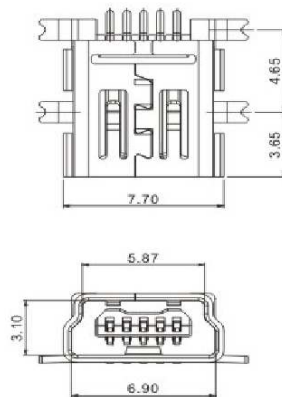
Mini USB 2.0 Series



MUB010-00



MUB013-00



MUB014-00

Southern California Office:

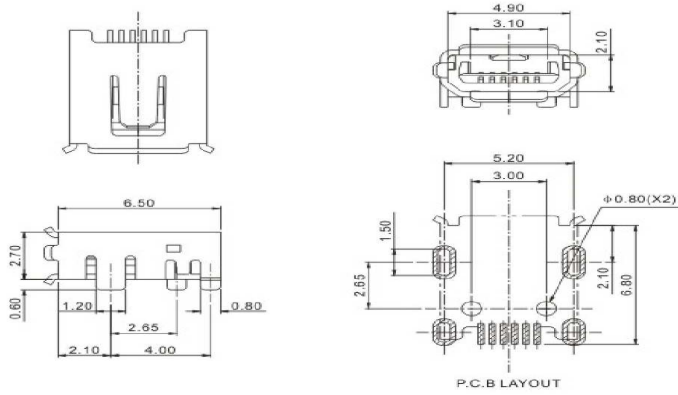
15991 Red Hill Avenue, Suite #102,
Tustin, CA 92780 USA
Tel:+1-714-460-0718 Fax:+1-714-460-0728

<http://www.palconnusa.com>

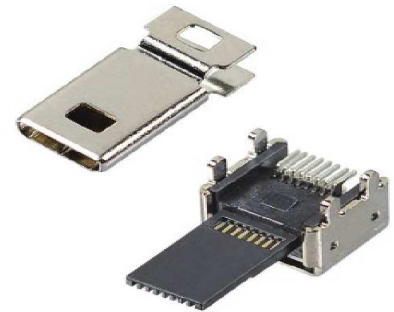
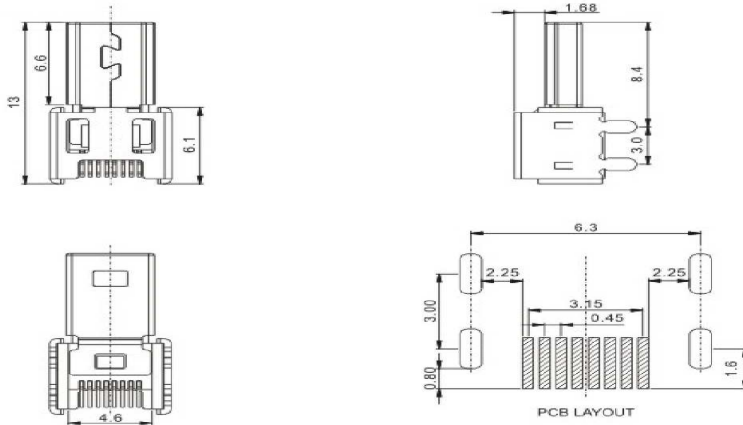
Northern California Office:

500 Yosemite Drive,
Milpitas, CA 95035 USA
Tel:+1-408-855-8866 Fax:+1-408-855-8868

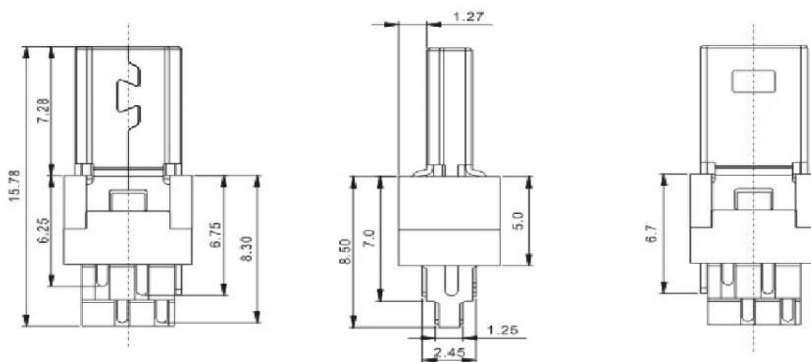
Mini USB 2.0 Series



MUB015-00



MUB011-00



MUB012-00

Southern California Office:

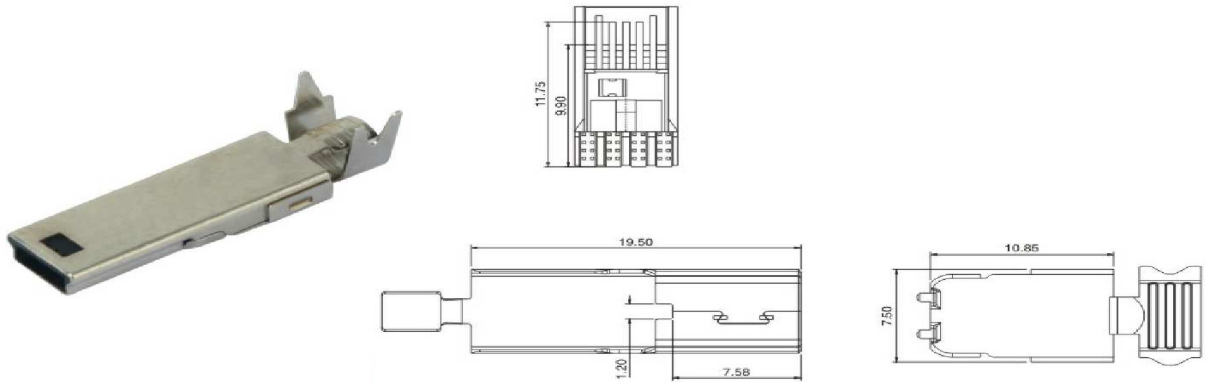
15991 Red Hill Avenue, Suite #102,
Tustin, CA 92780 USA
Tel:+1-714-460-0718 Fax:+1-714-460-0728

<http://www.palconnusa.com>

Northern California Office:

500 Yosemite Drive,
Milpitas, CA 95035 USA
Tel:+1-408-855-8866 Fax:+1-408-855-8868

Mini USB 2.0 Series



MUB017-00

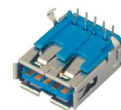
Southern California Office:

15991 Red Hill Avenue, Suite #102,
Tustin, CA 92780 USA
Tel:+1-714-460-0718 Fax:+1-714-460-0728

<http://www.palconnusa.com>

Northern California Office:

500 Yosemite Drive,
Milpitas, CA 95035 USA
Tel:+1-408-855-8866 Fax:+1-408-855-8868



USB 3.0 SERIES

Temperature	-30°C ~ +85°C
Rated Load	AC 30V 1.8A
Contact Resistance	30mΩ Max
Insulation Resistance	100MΩ Min
Withstanding Voltage	AC100V (50Hz)/min
Actuating Force	10-35N
Durability (Life)	5000 cycles Min

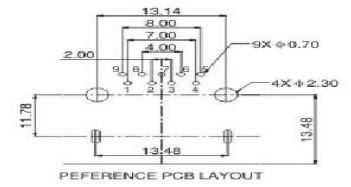
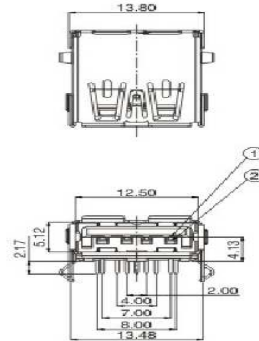
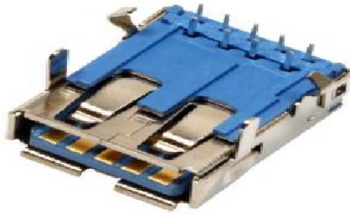
Southern California Office:

15991 Red Hill Avenue, Suite #102,
Tustin, CA 92780 USA
Tel:+1-714-460-0718 Fax:+1-714-460-0728

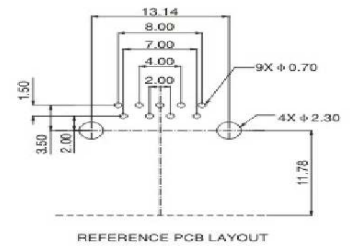
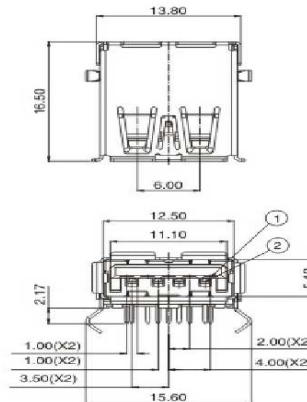
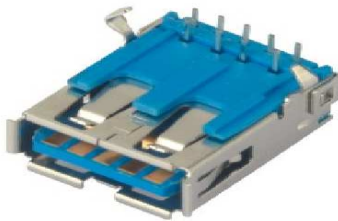
Northern California Office:

500 Yosemite Drive,
Milpitas, CA 95035 USA
Tel:+1-408-855-8866 Fax:+1-408-855-8868

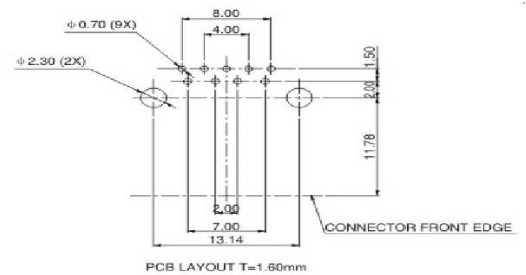
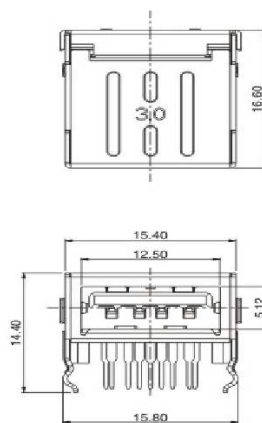
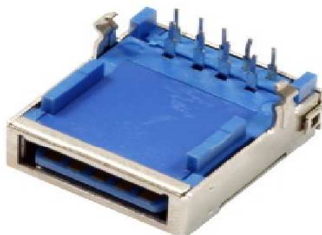
USB 3.0 Series



U3A009-00



U3A023-00



U3A022-00

Southern California Office:

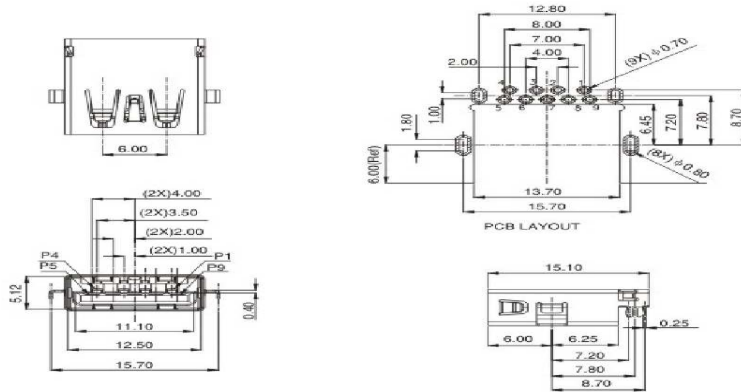
15991 Red Hill Avenue, Suite #102,
Tustin, CA 92780 USA
Tel:+1-714-460-0718 Fax:+1-714-460-0728

<http://www.palconnusa.com>

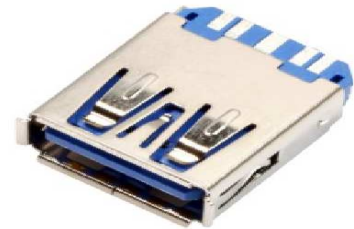
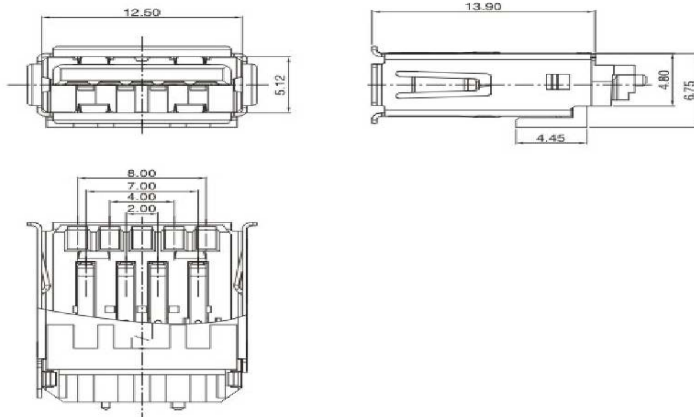
Northern California Office:

500 Yosemite Drive,
Milpitas, CA 95035 USA
Tel:+1-408-855-8866 Fax:+1-408-855-8868

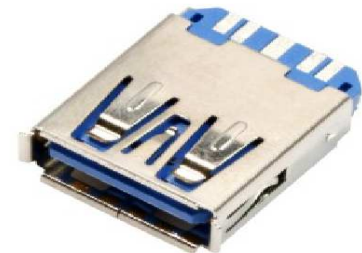
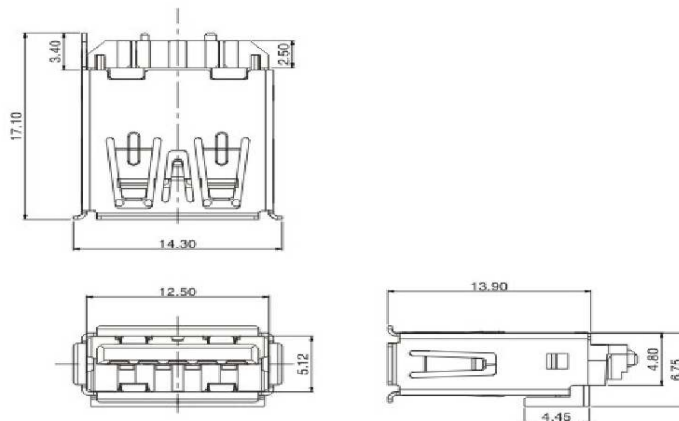
USB 3.0 Series



U3A055-00



U3A019-00



U3A021-00

Southern California Office:

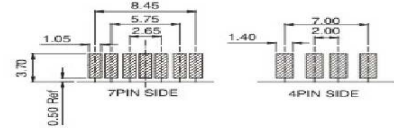
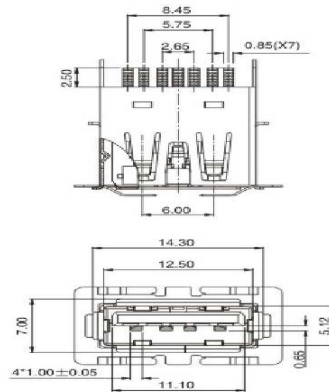
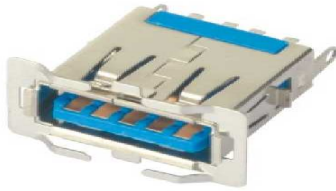
15991 Red Hill Avenue, Suite #102,
Tustin, CA 92780 USA
Tel:+1-714-460-0718 Fax:+1-714-460-0728

<http://www.palconnusa.com>

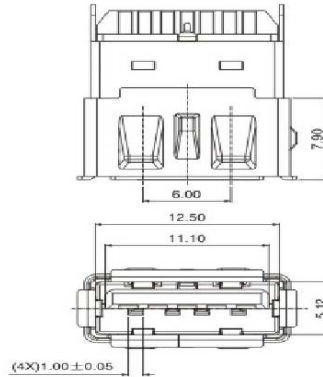
Northern California Office:

500 Yosemite Drive,
Milpitas, CA 95035 USA
Tel:+1-408-855-8866 Fax:+1-408-855-8868

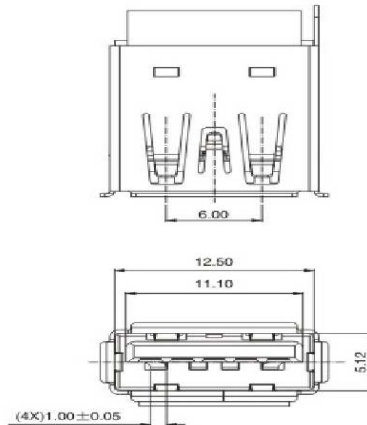
USB 3.0 Series



U3A028-00



U3A029-00



U3A037-00

Southern California Office:

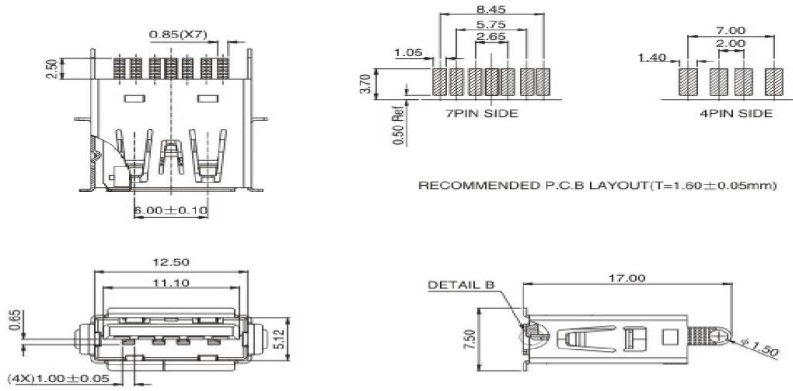
15991 Red Hill Avenue, Suite #102,
Tustin, CA 92780 USA
Tel:+1-714-460-0718 Fax:+1-714-460-0728

<http://www.palconnusa.com>

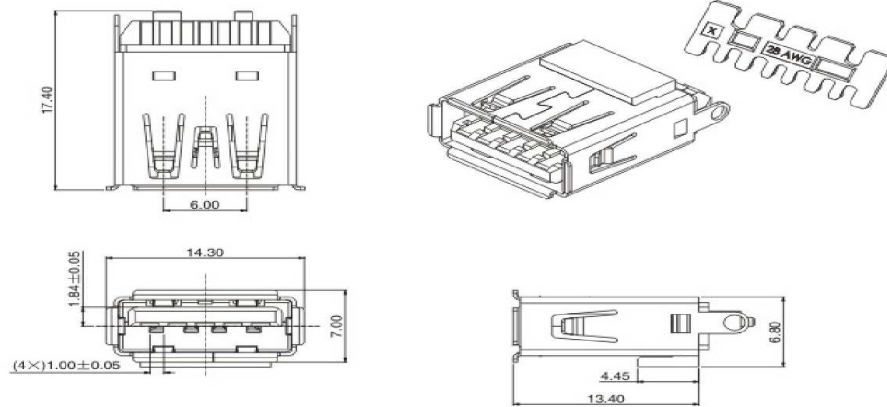
Northern California Office:

500 Yosemite Drive,
Milpitas, CA 95035 USA
Tel:+1-408-855-8866 Fax:+1-408-855-8868

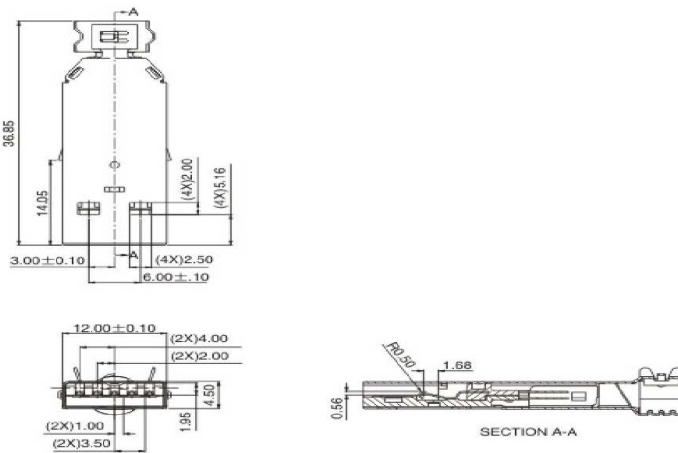
USB 3.0 Series



U3A041-00



U3A050-00



U3A007-00

Southern California Office:

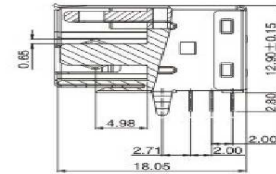
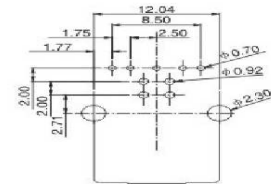
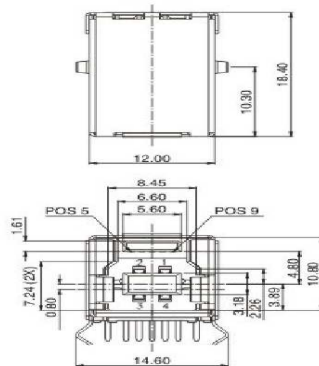
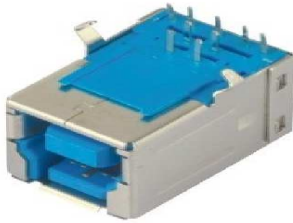
15991 Red Hill Avenue, Suite #102,
Tustin, CA 92780 USA
Tel:+1-714-460-0718 Fax:+1-714-460-0728

<http://www.palconnusa.com>

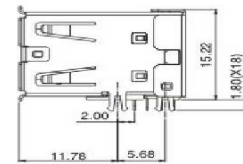
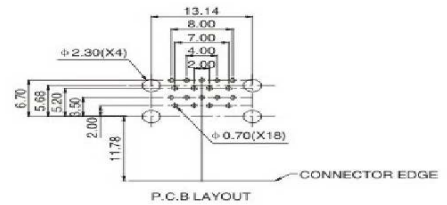
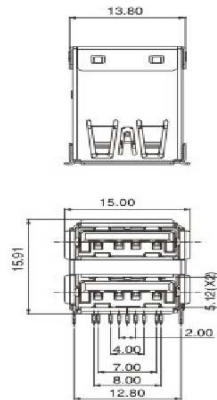
Northern California Office:

500 Yosemite Drive,
Milpitas, CA 95035 USA
Tel:+1-408-855-8866 Fax:+1-408-855-8868

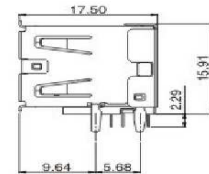
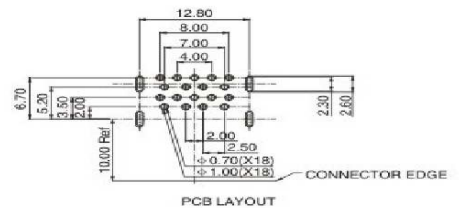
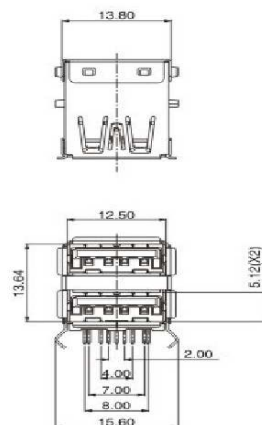
USB 3.0 Series



U3B001-00



U3C001-00



U3C003-00

Southern California Office:

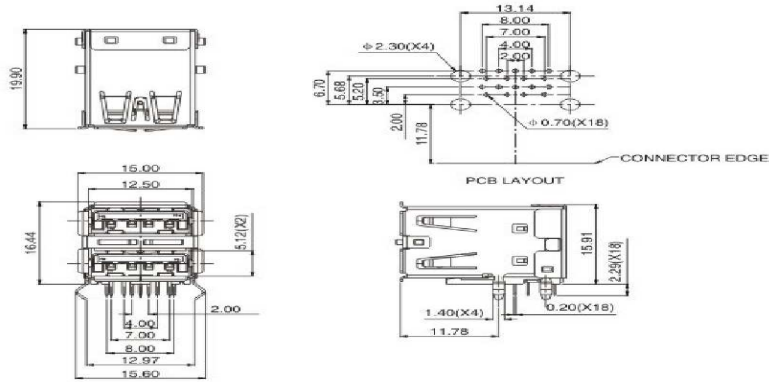
15991 Red Hill Avenue, Suite #102,
Tustin, CA 92780 USA
Tel:+1-714-460-0718 Fax:+1-714-460-0728

<http://www.palconnusa.com>

Northern California Office:

500 Yosemite Drive,
Milpitas, CA 95035 USA
Tel:+1-408-855-8866 Fax:+1-408-855-8868

USB 3.0 Series



U3C005-00

Southern California Office:

15991 Red Hill Avenue, Suite #102,
Tustin, CA 92780 USA
Tel:+1-714-460-0718 Fax:+1-714-460-0728

<http://www.palconnusa.com>

Northern California Office:

500 Yosemite Drive,
Milpitas, CA 95035 USA
Tel:+1-408-855-8866 Fax:+1-408-855-8868



MICRO USB 3.0 SERIES

Temperature	-30°C ~ +85°C
Rated Load	AC 30V 1.8A
Contact Resistance	30mΩ Max
Insulation Resistance	100MΩ Min
Withstanding Voltage	AC100V
Actuating Force	10-35N
Durability (Life)	10000 cycles Min

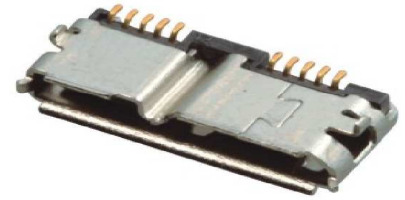
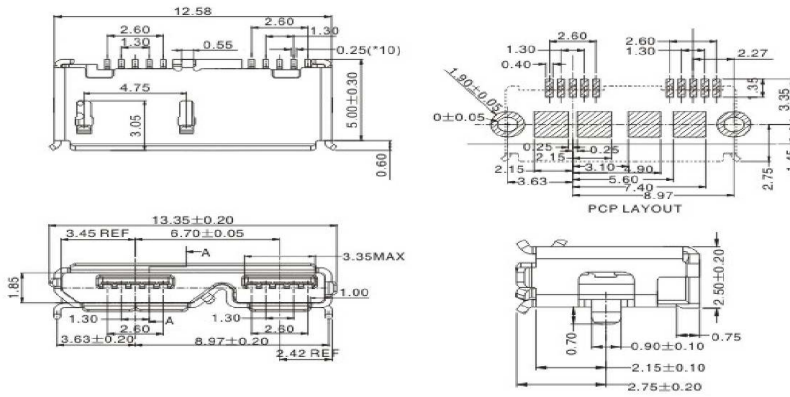
Southern California Office:

15991 Red Hill Avenue, Suite #102,
Tustin, CA 92780 USA
Tel:+1-714-460-0718 Fax:+1-714-460-0728

Northern California Office:

500 Yosemite Drive,
Milpitas, CA 95035 USA
Tel:+1-408-855-8866 Fax:+1-408-855-8868

Micro USB 3.0 Series



U3G001-00

Southern California Office:

15991 Red Hill Avenue, Suite #102,
Tustin, CA 92780 USA
Tel:+1-714-460-0718 Fax:+1-714-460-0728

<http://www.palconnusa.com>

Northern California Office:

500 Yosemite Drive,
Milpitas, CA 95035 USA
Tel:+1-408-855-8866 Fax:+1-408-855-8868



USB 3.1 TYPE-C SERIES

Operating Temperature	-40°C ~ +85°C
Rated Load	30VAC, 5.0A
Contact Resistance	40mΩ Max
Insulation Resistance	100MΩ Min
Dielectric Withstanding Voltage	100VAC (50Hz)/min
Actuating Force (insertion, extraction)	5-20N, 8-20N
Durability (Life)	10,000 cycles Min

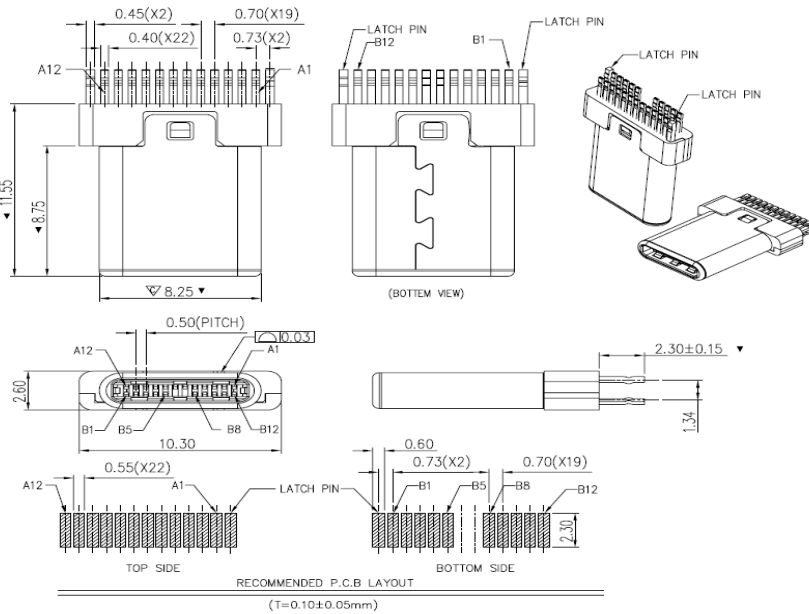
Southern California Office:

15991 Red Hill Avenue, Suite #102,
Tustin, CA 92780 USA
Tel:+1-714-460-0718 Fax:+1-714-460-0728

Northern California Office:

500 Yosemite Drive,
Milpitas, CA 95035 USA
Tel:+1-408-855-8866 Fax:+1-408-855-8868

USB 3.1 Plug Series



NOTES:

1.MATERIALS:

SHELL: STAINLESS STEEL, T=0.15±0.01mm
 SPRING: STAINLESS STEEL, T=0.10±0.01mm
 LATCH: STAINLESS STEEL, T=0.40±0.01mm
 HOUSING: THERMOPLASTIC
 CONTACT: COPPER ALLOY, T=0.20±0.01mm

2. PLATING:

CONTACT: CONTACT AREA Au PLATED 30u"Min. OR REFER TO THE PART NO. CODE DEFINED. UNDER PLATE 80u"Min. NICKEL OVERALL. 120u" Min. TIN PLATING ON SOLDER TAIL

3.ELECTRICAL PERFORMANCE:

INSULATION RESISTANCE: 100Mohm MIN.
 CONTACT RESISTANCE: 40mohm MAX.
 DIELECTRIC WITHSTANDING: 100 VAC

4.MECHANICAL PERFORMANCE:

MATING FORCE: 5~20N
 UNMATING FORCE: 8~20N
 DURABILITY: 10000 CYCLES

PART NO. CODE

UTC002- N * * * - * R
 ① ② ③ ④ ⑤ ⑥

① SERIES:

UTC002: USB TYPE-C FULL-FEATURED

SMT PLUG, 22 POSITIONS

② POSITIONS:

N: 22 POSITIONS.

③ INSULATOR COLOR:

K:BLACK

④ CONTACT PLATING:

2: PLATED AU 3U" MIN

3: PLATED AU 10U" MIN

5: PLATED AU 30U" MIN

⑤ ENVIRONMENT:

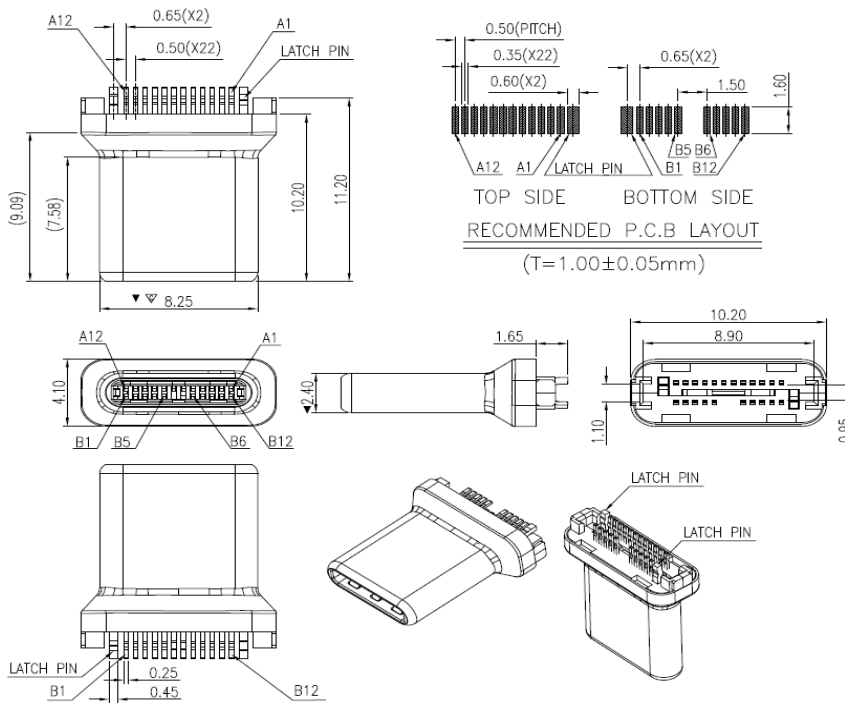
O: RoHS

H: HALOGEN FREE

⑥ WAY OF PACKING:

R: TAPE & REEL

UTC002-00



NOTES:

1.MATERIALS:

SHELL: STAINLESS STEEL, T=0.15±0.01mm
 SPRING: STAINLESS STEEL, T=0.10±0.01mm
 LATCH: STAINLESS STEEL, T=0.40±0.01mm
 HOUSING: THERMOPLASTIC
 CONTACT: COPPER ALLOY, T=0.20±0.01mm

2. PLATING:

CONTACT: CONTACT AREA Au PLATED 30u"Min. OR REFER TO THE PART NO. CODE DEFINED. UNDER PLATE 80u"Min. NICKEL OVERALL. 120u" Min. TIN PLATING ON SOLDER TAIL

3.ELECTRICAL PERFORMANCE:

INSULATION RESISTANCE: 100Mohm MIN.
 CONTACT RESISTANCE: 40mohm MAX.
 DIELECTRIC WITHSTANDING: 100 VAC

4.MECHANICAL PERFORMANCE:

MATING FORCE: 5~20N
 UNMATING FORCE: 8~20N
 DURABILITY: 10000 CYCLES

PART NO. CODE

UTC012- N * * * - * R
 ① ② ③ ④ ⑤ ⑥

① SERIES:

UTC012: USB TYPE-C FULL-FEATURED

SMT PLUG, 22 POSITIONS (DEEP DRAWN SHELL)

② POSITIONS:

N: 22 POSITIONS.

③ INSULATOR COLOR:

K:BLACK

④ CONTACT PLATING:

2: PLATED AU 3U" MIN

3: PLATED AU 10U" MIN

5: PLATED AU 30U" MIN

⑤ ENVIRONMENT:

O: RoHS

H: HALOGEN FREE

⑥ WAY OF PACKING:

R: TAPE & REEL

UTC012-00
 Deep Drawn Shell

Southern California Office:

15991 Red Hill Avenue, Suite #102,
 Tustin, CA 92780 USA

Tel:+1-714-460-0718 Fax:+1-714-460-0728

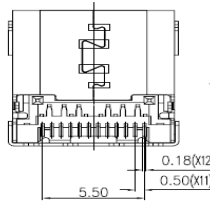
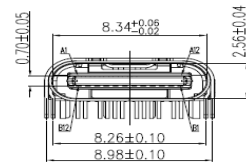
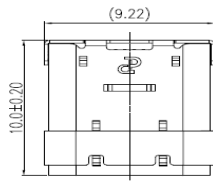
<http://www.palconnusa.com>

Northern California Office:

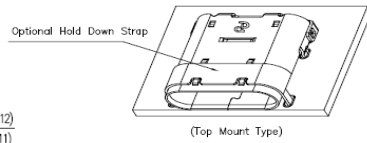
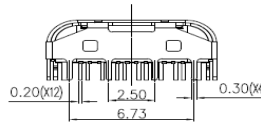
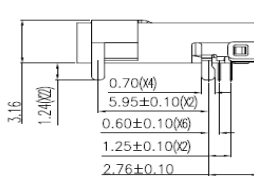
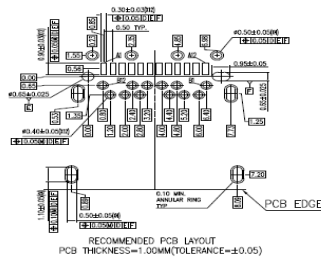
500 Yosemite Drive,
 Milpitas, CA 95035 USA

Tel:+1-408-855-8866 Fax:+1-408-855-8868

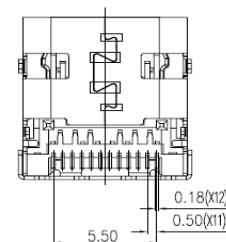
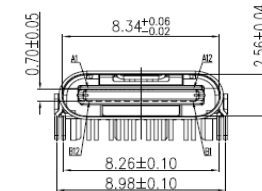
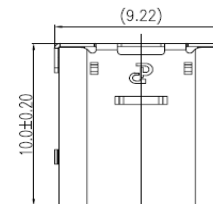
USB 3.1 Receptacle Series



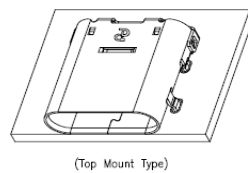
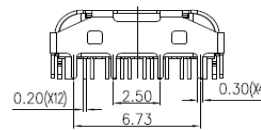
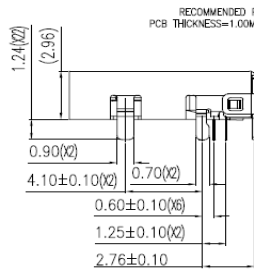
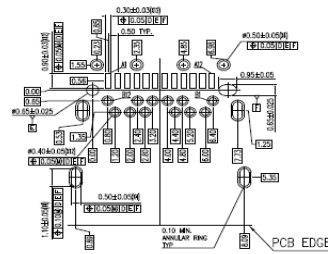
UTC001-01



- NOTES:
- MATERIALS:
SHELL:STAINLESS STEEL;
GROUND PLATES:STAINLESS STEEL;
HOLD DOWN STRAP:STAINLESS STEEL;
HOUSING:THERMOPLASTIC:UL94-V0,BLACK;
CONTACT:COPPER ALLOY;
 - PLATING:
CONTACT:80u"Min. NICKEL UNDERPLATING OVERALL;
PLATED GOLD 30u"Min. ON CONTACT AREA,
OR REFERENCE PART NO. CODE;
PLATED MATTE TIN 120u"Min. ON SOLDER AREA;
SHELL:PLATED MATTE TIN OVERALL;
 - DIMENSIONAL TOLERANCE:
NOT SPECIFIED TOLERANCE,COMPLIED TO THE GENERAL TOLERANCE;
CONTROL DIMENSIONS INDICATED FORM "▼",MUST BE INSPECTED BY QC;
 - ELECTRICAL CHARACTERISTICS:
LOW LEVEL CONTACT RESISTANCE:40mΩ Max.;
INSULATION RESISTANCE:100MΩ Min.;
DIELECTRIC WITHSTANDING VOLTAGE:100 VAC;
CONTACT CURRENT RATING:5A Max;
 - MECHANICAL CHARACTERISTICS:
INSERTION FORCE:5~20N;
EXTRACTION FORCE:8~20N;
DURABILITY:10000 CYCLES;
 - IR REFLOW CONDITION PEAK TEMPERATURE:260°C-10S;
 - OPERATING TEMPERATURE RANGE -40°C TO +85°C;
- PART NO. CODE:
UTC001 - O K * - H R
① ② ③ ④ ⑤ ⑥
- ① SERIES:
UTC001:USB 3.1 TYPE-C HYBRID RIGHT-ANGLE RECEPTACLE
- ② POSITIONS:
O:24 POSITIONS ⑤ ENVIRONMENT:
O:RoHS H:HALOGEN FREE
- ③ COLOR OF HOUSING:
K:BLACK ⑥ WAY OF PACKING:
R:TAPE & REEL
- ④ CONTACT PLATED:
2:PLATED Au 3u" MIN
3:PLATED Au 10u" MIN
5:PLATED Au 30u" MIN



UTC003-01



- NOTES:
- MATERIALS:
SHELL:STAINLESS STEEL;
GROUND PLATES:STAINLESS STEEL;
HOUSING:THERMOPLASTIC:UL94-V0,BLACK;
CONTACT:COPPER ALLOY;
 - PLATING:
CONTACT:80u"Min. NICKEL UNDERPLATING OVERALL;
PLATED GOLD 30u"Min. ON CONTACT AREA,
OR REFERENCE PART NO. CODE;
PLATED MATTE TIN 120u"Min. ON SOLDER AREA;
SHELL:PLATED MATTE TIN OVERALL;
 - DIMENSIONAL TOLERANCE:
NOT SPECIFIED TOLERANCE,COMPLIED TO THE GENERAL TOLERANCE;
CONTROL DIMENSIONS INDICATED FORM "▼",MUST BE INSPECTED BY QC;
 - ELECTRICAL CHARACTERISTICS:
LOW LEVEL CONTACT RESISTANCE:40mΩ Max.;
INSULATION RESISTANCE:100MΩ Min.;
DIELECTRIC WITHSTANDING VOLTAGE:100 VAC;
CONTACT CURRENT RATING:5A Max;
 - MECHANICAL CHARACTERISTICS:
INSERTION FORCE:5~20N;
EXTRACTION FORCE:8~20N;
DURABILITY:10000 CYCLES;
 - IR REFLOW CONDITION PEAK TEMPERATURE:260°C-10S;
 - OPERATING TEMPERATURE RANGE -40°C TO +85°C;
- PART NO. CODE:
UTC003 - O K * - H R
① ② ③ ④ ⑤ ⑥
- ① SERIES:
UTC003:USB 3.1 TYPE-C HYBRID RIGHT-ANGLE RECEPTACLE
- ② POSITIONS:
O:24 POSITIONS ⑤ ENVIRONMENT:
O:RoHS H:HALOGEN FREE
- ③ COLOR OF HOUSING:
K:BLACK ⑥ WAY OF PACKING:
R:TAPE & REEL
- ④ CONTACT PLATED:
2:PLATED Au 3u" MIN
3:PLATED Au 10u" MIN
5:PLATED Au 30u" MIN

Southern California Office:

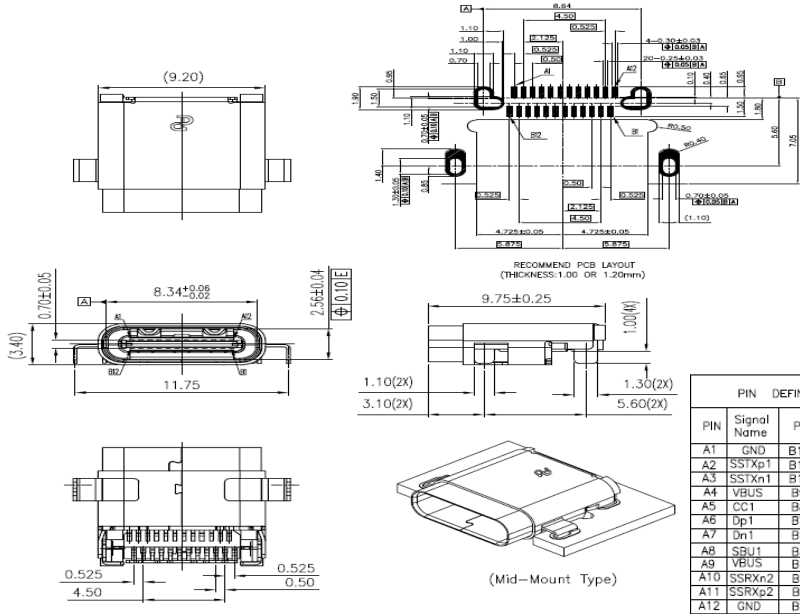
15991 Red Hill Avenue, Suite #102,
Tustin, CA 92780 USA
Tel:+1-714-460-0718 Fax:+1-714-460-0728

<http://www.palconnusa.com>

Northern California Office:

500 Yosemite Drive,
Milpitas, CA 95035 USA
Tel:+1-408-855-8866 Fax:+1-408-855-8868

USB 3.1 Receptacle Series



- NOTES:
- MATERIALS:
HOUSING: THERMOPLASTIC,UL94V-0,COLOR:BLACK
CONTACT: COPPER ALLOY
SHELL: STAINLESS STEEL
GUARD: STAINLESS STEEL
SPRING: STAINLESS STEEL
 - PLATING:
CONTACT:80 μ Min. NICKEL UNDERPLATING OVERALL;
PLATED GOLD 30 μ Min. ON CONTACT AREA,
OR REFERENCE PART NO. CODE;
PLATED MATTE TIN 120 μ Min. ON SOLDER AREA;
SHELL-PLATED MATTE TIN OVERALL;
 - DIMENSIONAL TOLERANCE:
NOT SPECIFIED TOLERANCE,COMPLIED TO THE GENERAL TOLERANCE;
CONTROL DIMENSIONS INDICATED FORM "M",MUST BE INSPECTED BY QC;
 - ELECTRICAL CHARACTERISTICS:
LOW LEVEL CONTACT RESISTANCE:40m Ω Max.;
INSULATION RESISTANCE:100M Ω Min.;
DIELECTRIC WITHSTANDING VOLTAGE:100 VAC;
CONTACT CURRENT RATING:5A Max;
 - MECHANICAL CHARACTERISTICS:
INSERTION FORCE:5~20N;
EXTRACTION FORCE:8~20N;
DURABILITY:10000 CYCLES;
 - REFLOW CONDITION PEAK TEMPERATURE:260 $^{\circ}$ C~105
 - OPERATING TEMPERATURE RANGE -40 $^{\circ}$ C TO +85 $^{\circ}$ C

PART NO. CODE:
UTC006 - Q K * - H R
① ② ③ ④ ⑤ ⑥

① SERIES:
UTC006: USB Type-C Mid-Mount
Dual-Row SMT Receptacle

② POSITIONS:
O: 24 POSITIONS

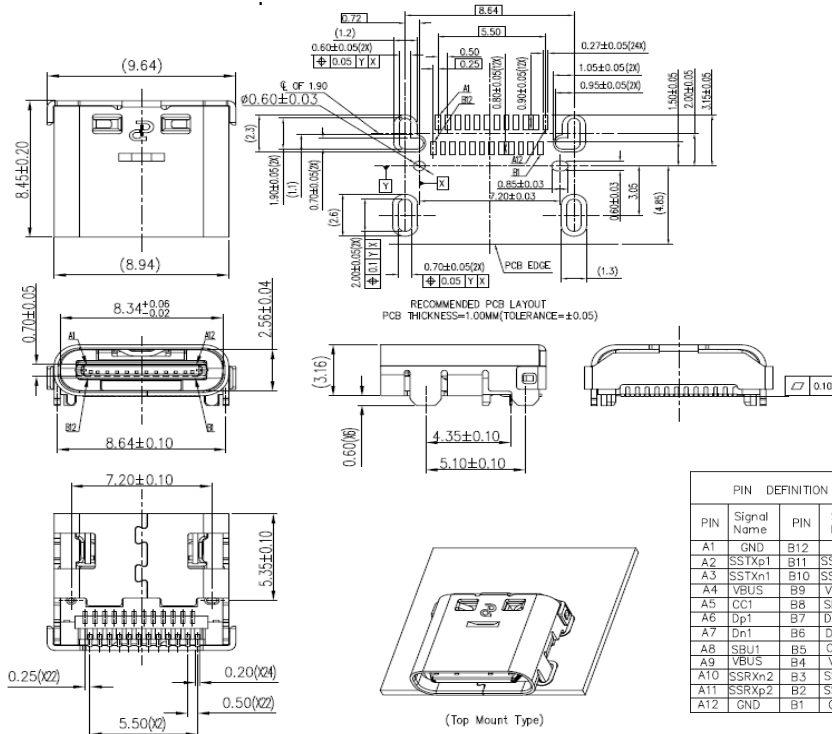
③ COLOR OF HOUSING:
K: BLACK

④ CONTACT PLATED:
2: PLATED Au 3 μ MIN
3: PLATED Au 10 μ MIN
5: PLATED Au 30 μ MIN

⑤ ENVIRONMENT:
O: RoHS
H: HALOGEN FREE

⑥ WAY OF PACKING:
R: TAPE & REEL

UTC006-00



- NOTES:
- MATERIALS:
SHELL: STAINLESS STEEL
GROUND PLATES: STAINLESS STEEL
HOUSING: THERMOPLASTIC,UL94-V0,BLACK;
CONTACT: COPPER ALLOY;
 - PLATING:
CONTACT:80 μ Min. NICKEL UNDERPLATING OVERALL;
PLATED GOLD 30 μ Min. ON CONTACT AREA,
OR REFERENCE PART NO. CODE;
PLATED MATTE TIN 120 μ Min. ON SOLDER AREA;
SHELL-PLATED MATTE TIN OVERALL;
 - DIMENSIONAL TOLERANCE:
NOT SPECIFIED TOLERANCE,COMPLIED TO THE GENERAL TOLERANCE;
CONTROL DIMENSIONS INDICATED FORM "M",MUST BE INSPECTED BY QC
 - ELECTRICAL CHARACTERISTICS:
LOW LEVEL CONTACT RESISTANCE:40m Ω Max.;
INSULATION RESISTANCE:100M Ω Min.;
DIELECTRIC WITHSTANDING VOLTAGE:100 VAC;
CONTACT CURRENT RATING:5A Max;
 - MECHANICAL CHARACTERISTICS:
INSERTION FORCE:5~20N;
EXTRACTION FORCE:8~20N;
DURABILITY: 10000 CYCLES;
 - REFLOW CONDITION PEAK TEMPERATURE:260 $^{\circ}$ C~105;
 - OPERATING TEMPERATURE RANGE -40 $^{\circ}$ C TO +85 $^{\circ}$ C;

PART NO. CODE:
UTC010 - Q K * - H R
① ② ③ ④ ⑤ ⑥

① SERIES:
UTC010: USB 3.1 TYPE-C DUAL-ROW SMT RIGHT ANGLE RECEPTACLE

② POSITIONS:
O: 24 POSITIONS

③ COLOR OF HOUSING:
K: BLACK

④ CONTACT PLATED:
2: PLATED Au 3 μ MIN
3: PLATED Au 10 μ MIN
5: PLATED Au 30 μ MIN

⑤ ENVIRONMENT:
O: RoHS
H: HALOGEN FREE

⑥ WAY OF PACKING:
R: TAPE & REEL

UTC010-00

Southern California Office:

15991 Red Hill Avenue, Suite #102,
Tustin, CA 92780 USA
Tel:+1-714-460-0718 Fax:+1-714-460-0728

<http://www.palconnusa.com>

Northern California Office:

500 Yosemite Drive,
Milpitas, CA 95035 USA
Tel:+1-408-855-8866 Fax:+1-408-855-8868



IEEE 1394 SERIES

Temperature	-30°C ~ +85°C
Rated Load	AC 30V 1.5A
Contact Resistance	30mΩ Max
Insulation Resistance	100MΩ Min
Withstanding Voltage	AC500V (50Hz)/min
Actuating Force	9.8N ~ 39.2N
Durability (Life)	1500 cycles Min

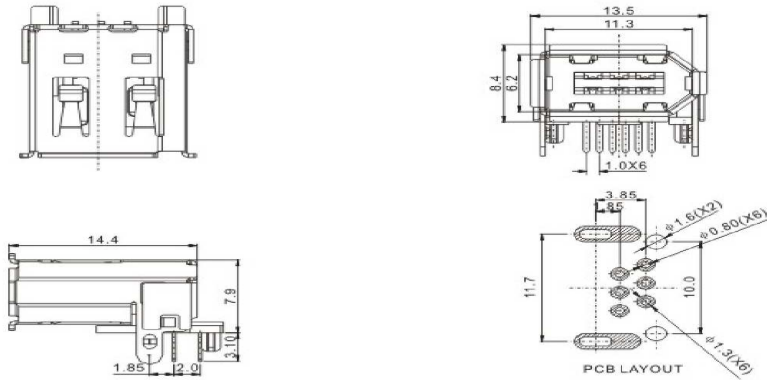
Southern California Office:

15991 Red Hill Avenue, Suite #102,
Tustin, CA 92780 USA
Tel:+1-714-460-0718 Fax:+1-714-460-0728

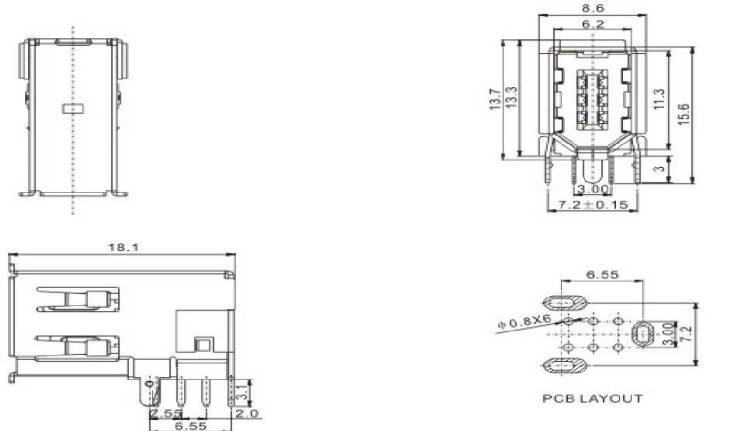
Northern California Office:

500 Yosemite Drive,
Milpitas, CA 95035 USA
Tel:+1-408-855-8866 Fax:+1-408-855-8868

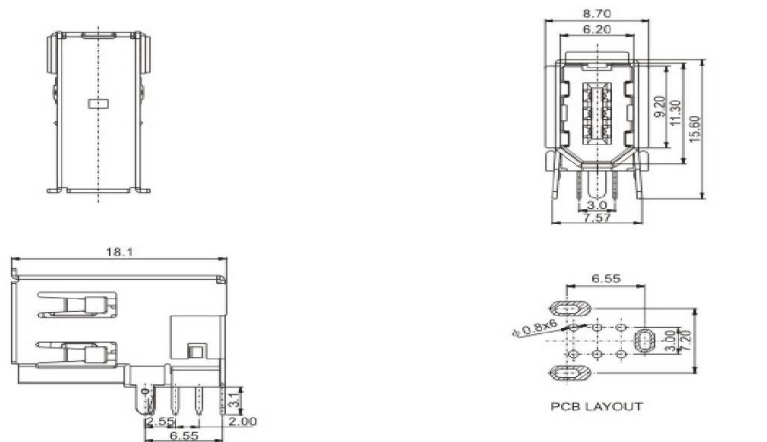
IEEE 1394 Series



MIE002-00



MIE005-00



MIE006-00

Southern California Office:

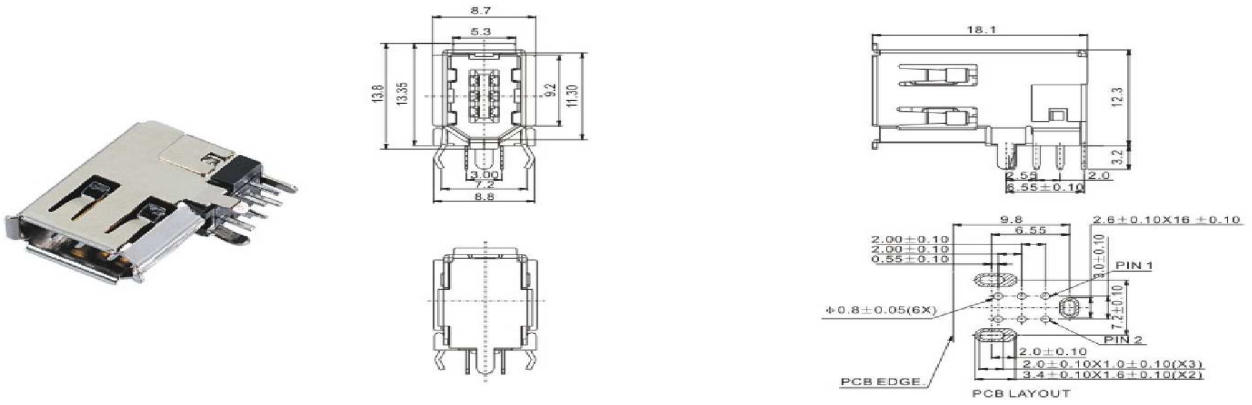
15991 Red Hill Avenue, Suite #102,
Tustin, CA 92780 USA
Tel:+1-714-460-0718 Fax:+1-714-460-0728

<http://www.palconnusa.com>

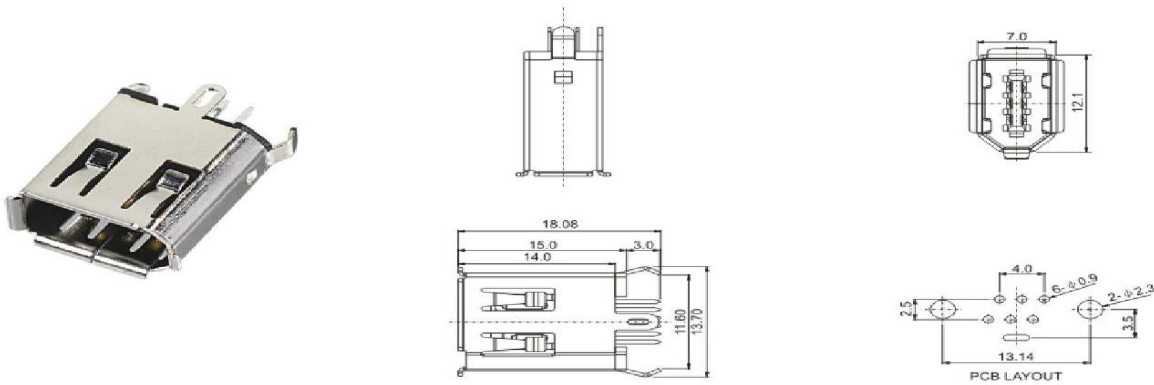
Northern California Office:

500 Yosemite Drive,
Milpitas, CA 95035 USA
Tel:+1-408-855-8866 Fax:+1-408-855-8868

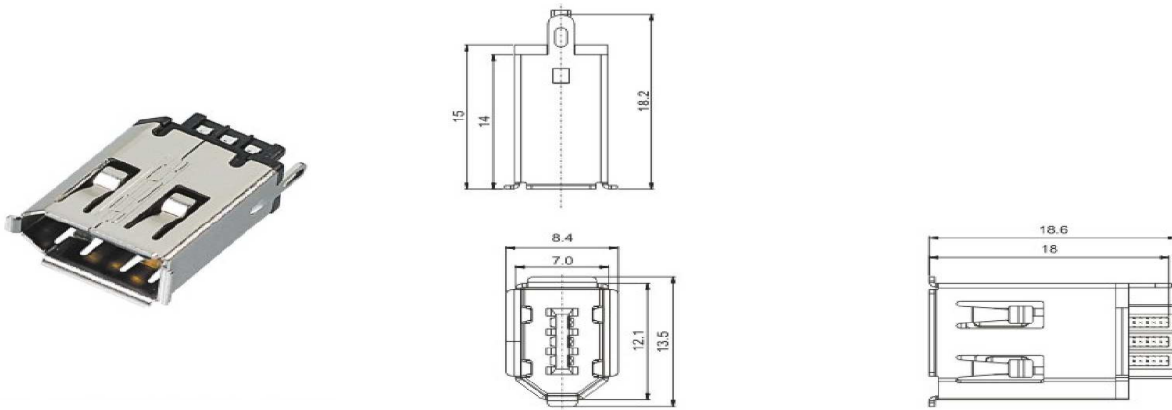
IEEE 1394 Series



MIE008-00



MIE012-00



MIE015-00

Southern California Office:

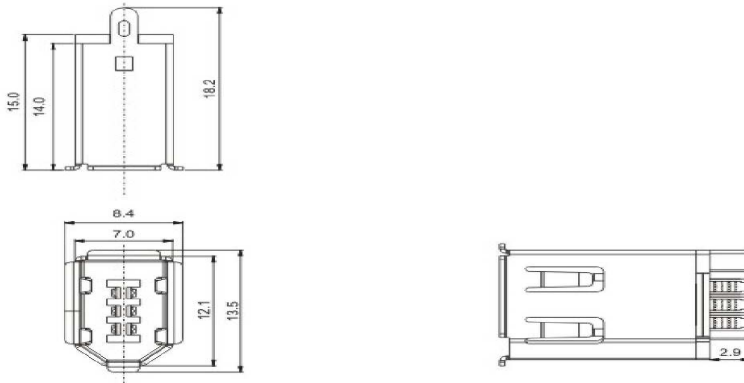
15991 Red Hill Avenue, Suite #102,
Tustin, CA 92780 USA
Tel:+1-714-460-0718 Fax:+1-714-460-0728

<http://www.palconnusa.com>

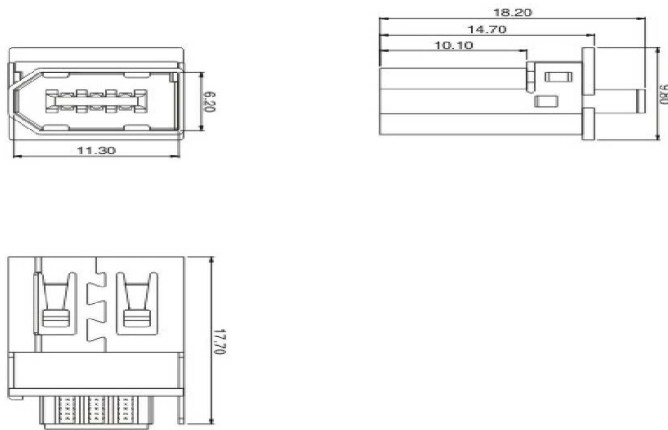
Northern California Office:

500 Yosemite Drive,
Milpitas, CA 95035 USA
Tel:+1-408-855-8866 Fax:+1-408-855-8868

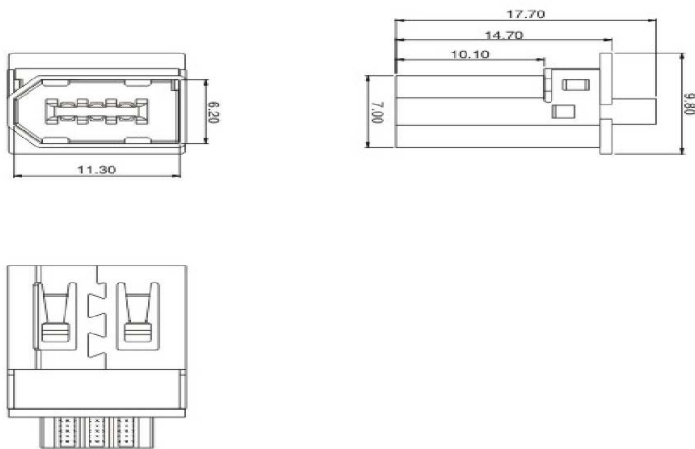
IEEE 1394 Series



MIE019-00



MIE022-00



MIE027-00

Southern California Office:

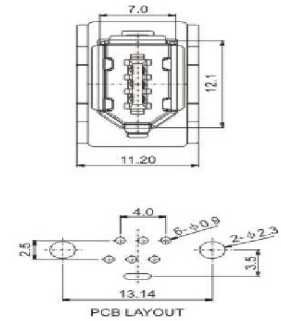
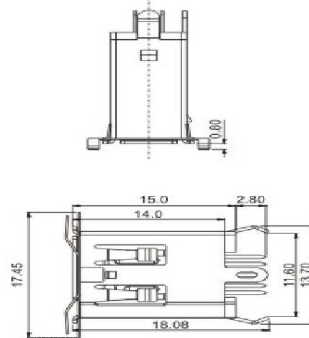
15991 Red Hill Avenue, Suite #102,
Tustin, CA 92780 USA
Tel:+1-714-460-0718 Fax:+1-714-460-0728

<http://www.palconnusa.com>

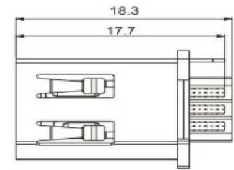
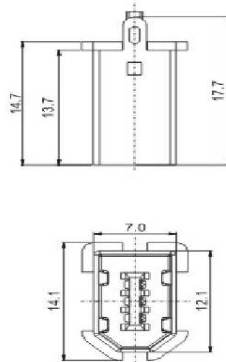
Northern California Office:

500 Yosemite Drive,
Milpitas, CA 95035 USA
Tel:+1-408-855-8866 Fax:+1-408-855-8868

IEEE 1394 Series



MIE029-00



MIE030-00

Southern California Office:

15991 Red Hill Avenue, Suite #102,
Tustin, CA 92780 USA
Tel:+1-714-460-0718 Fax:+1-714-460-0728

<http://www.palconnusa.com>

Northern California Office:

500 Yosemite Drive,
Milpitas, CA 95035 USA
Tel:+1-408-855-8866 Fax:+1-408-855-8868



E-SATA SERIES

Temperature	-30°C ~ +85°C
Rated Load	AC 30V 1.8A
Contact Resistance	30mΩ Max
Insulation Resistance	1000MΩ Min
Withstanding Voltage	AC500V (50Hz)/min
Actuating Force	10N ~ 45N
Durability (Life)	500 cycles Min

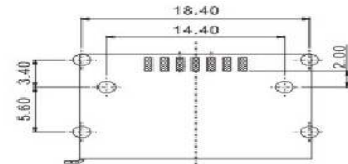
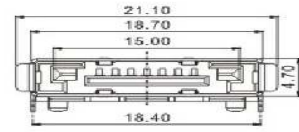
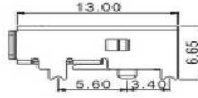
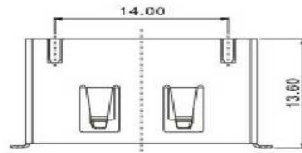
Southern California Office:

15991 Red Hill Avenue, Suite #102,
Tustin, CA 92780 USA
Tel:+1-714-460-0718 Fax:+1-714-460-0728

Northern California Office:

500 Yosemite Drive,
Milpitas, CA 95035 USA
Tel:+1-408-855-8866 Fax:+1-408-855-8868

E-SATA SERIES



PSTB LAYOUT

SAT009-01

Southern California Office:

15991 Red Hill Avenue, Suite #102,
Tustin, CA 92780 USA
Tel:+1-714-460-0718 Fax:+1-714-460-0728

<http://www.palconnusa.com>

Northern California Office:

500 Yosemite Drive,
Milpitas, CA 95035 USA
Tel:+1-408-855-8866 Fax:+1-408-855-8868



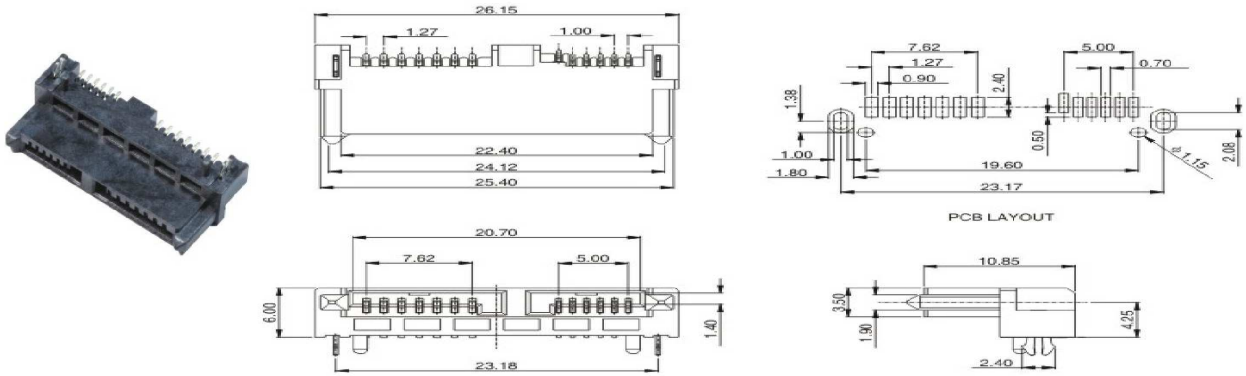
SATA SERIES

Temperature	-30°C ~ +85°C
Rated Load	AC 30V 1.5A
Contact Resistance	30mΩ Max
Insulation Resistance	1000MΩ Min
Withstanding Voltage	AC500V (50Hz)/min
Actuating Force	10N ~ 45N
Durability (Life)	500 cycles Min

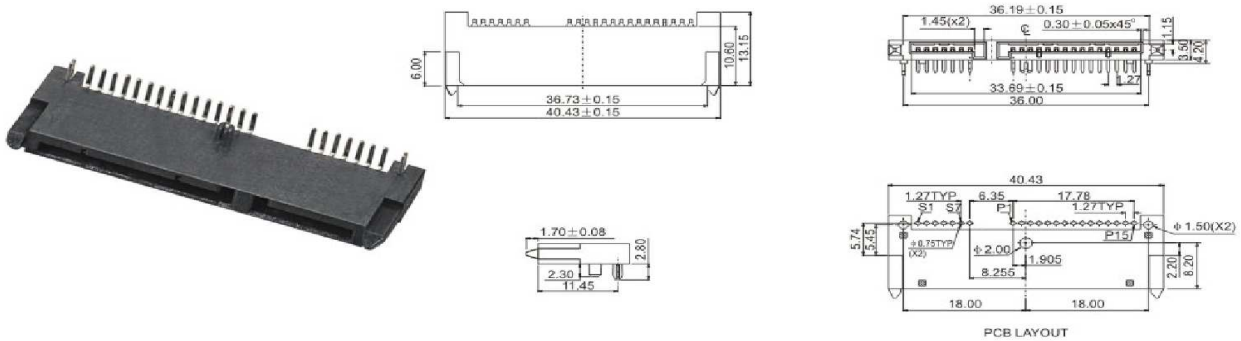
Southern California Office:
 15991 Red Hill Avenue, Suite #102,
 Tustin, CA 92780 USA
 Tel:+1-714-460-0718 Fax:+1-714-460-0728

Northern California Office:
 500 Yosemite Drive,
 Milpitas, CA 95035 USA
 Tel:+1-408-855-8866 Fax:+1-408-855-8868

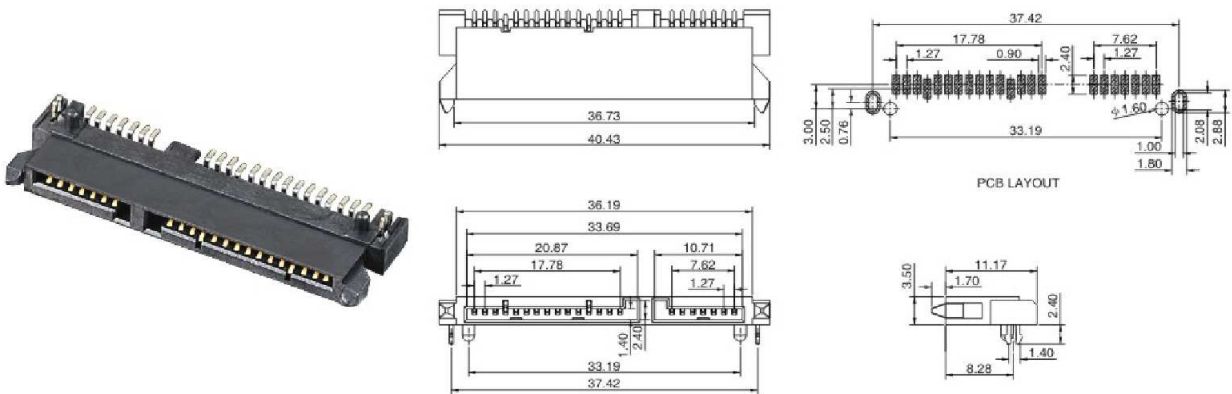
SATA SERIES



SAT001-00



SAT007-00



SAT011-00

Southern California Office:

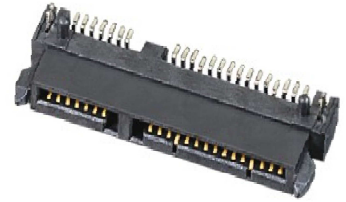
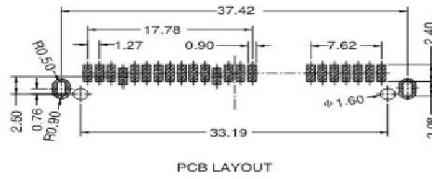
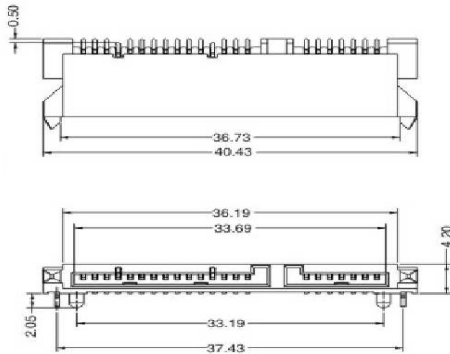
15991 Red Hill Avenue, Suite #102,
Tustin, CA 92780 USA
Tel:+1-714-460-0718 Fax:+1-714-460-0728

<http://www.palconnusa.com>

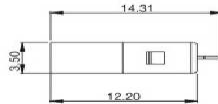
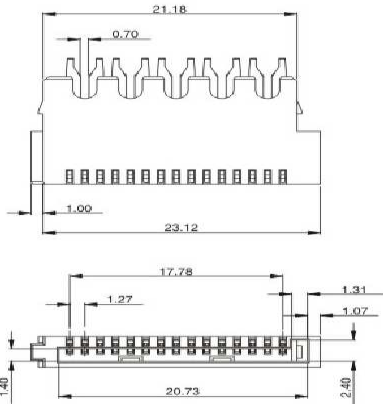
Northern California Office:

500 Yosemite Drive,
Milpitas, CA 95035 USA
Tel:+1-408-855-8866 Fax:+1-408-855-8868

SATA SERIES



SAT012-00



SAT030-00

Southern California Office:

15991 Red Hill Avenue, Suite #102,
Tustin, CA 92780 USA
Tel:+1-714-460-0718 Fax:+1-714-460-0728

<http://www.palconnusa.com>

Northern California Office:

500 Yosemite Drive,
Milpitas, CA 95035 USA
Tel:+1-408-855-8866 Fax:+1-408-855-8868



HDMI SERIES

Temperature	-30°C ~ +85°C
Rated Load	AC 40V 0.5A
Contact Resistance	30mΩ Max
Insulation Resistance	100MΩ Min
Withstanding Voltage	AC500V (50Hz)/min
Actuating Force	10N ~ 45N
Durability (Life)	10000 cycles Min

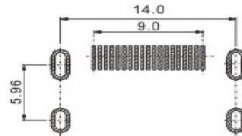
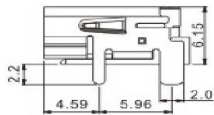
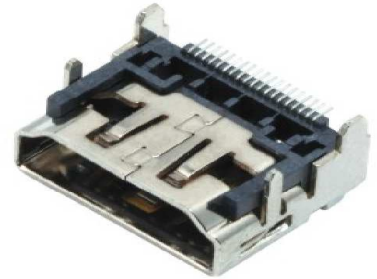
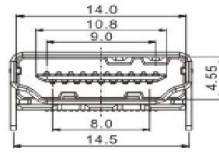
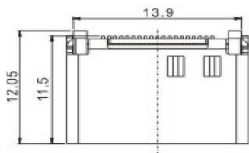
Southern California Office:

15991 Red Hill Avenue, Suite #102,
Tustin, CA 92780 USA
Tel:+1-714-460-0718 Fax:+1-714-460-0728

Northern California Office:

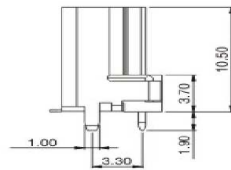
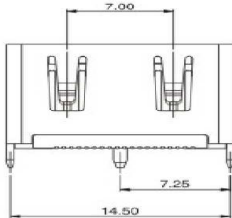
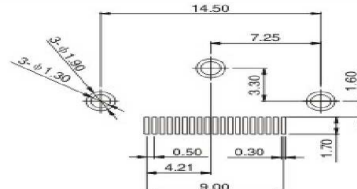
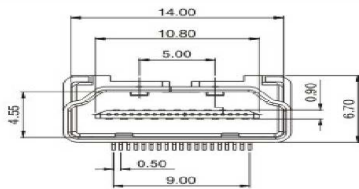
500 Yosemite Drive,
Milpitas, CA 95035 USA
Tel:+1-408-855-8866 Fax:+1-408-855-8868

HDMI SERIES



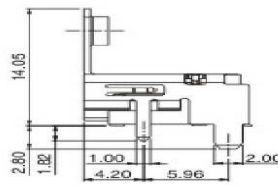
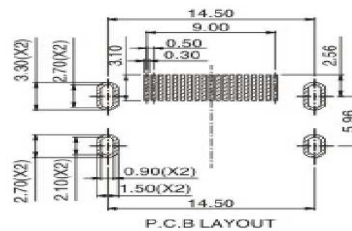
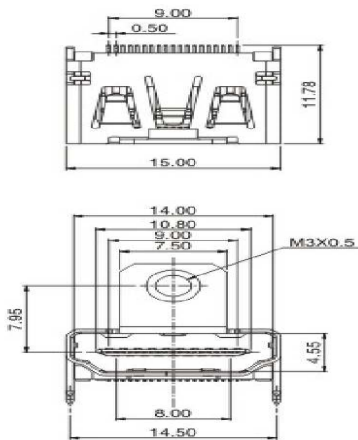
PCB LAYOUT

HDM001-00



PCB LAYOUT

HDM002-00



P.C.B LAYOUT

HDM004-00

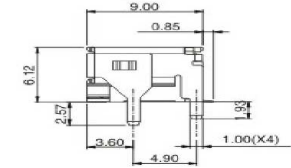
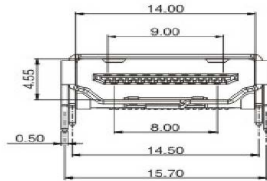
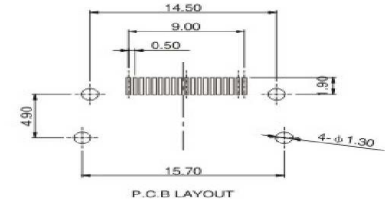
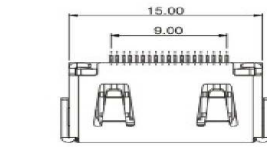
Southern California Office:

15991 Red Hill Avenue, Suite #102,
Tustin, CA 92780 USA
Tel:+1-714-460-0718 Fax:+1-714-460-0728

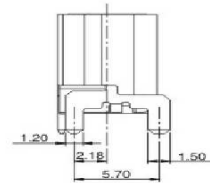
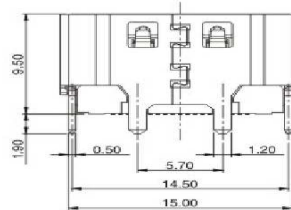
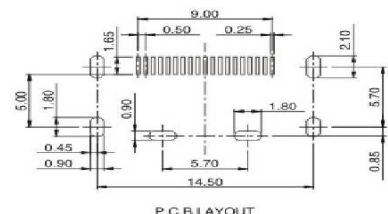
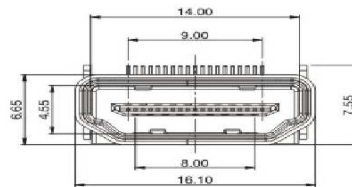
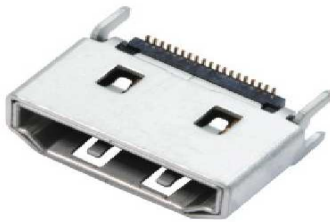
Northern California Office:

500 Yosemite Drive,
Milpitas, CA 95035 USA
Tel:+1-408-855-8866 Fax:+1-408-855-8868

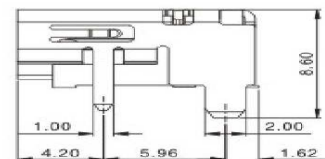
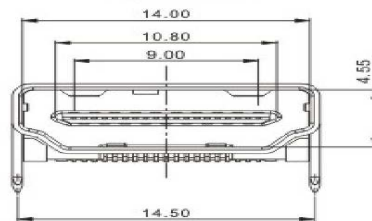
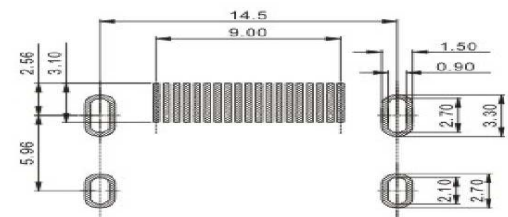
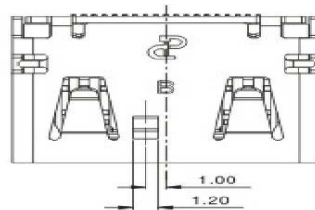
HDMI SERIES



HDM014-00



HDM016-00



HDM036-00

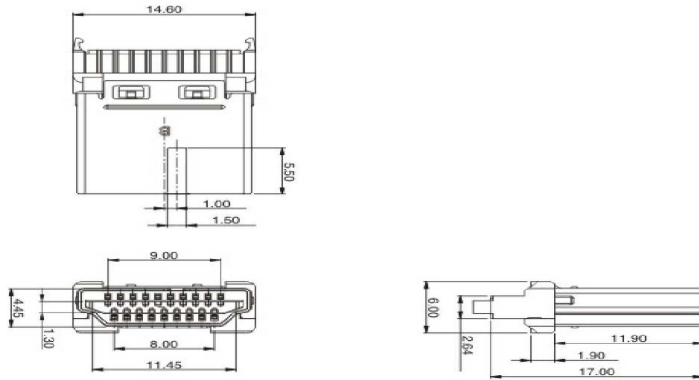
Southern California Office:

15991 Red Hill Avenue, Suite #102,
Tustin, CA 92780 USA
Tel:+1-714-460-0718 Fax:+1-714-460-0728

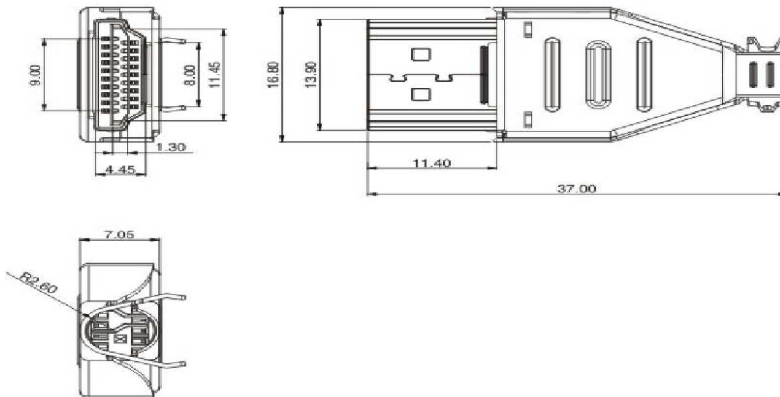
Northern California Office:

500 Yosemite Drive,
Milpitas, CA 95035 USA
Tel:+1-408-855-8866 Fax:+1-408-855-8868

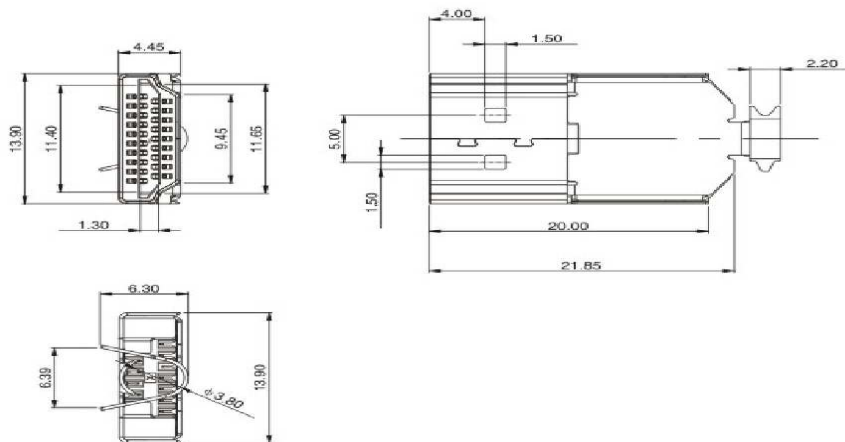
HDMI SERIES



B-ST-HDM-5-00



HDM021-00



HDM039-00

Southern California Office:

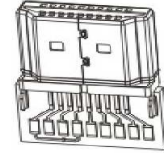
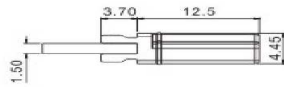
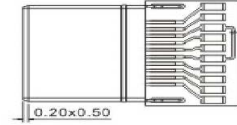
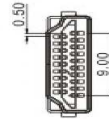
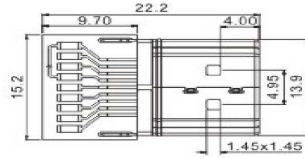
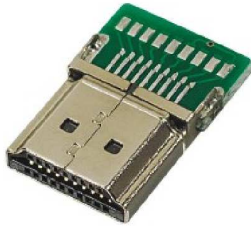
15991 Red Hill Avenue, Suite #102,
Tustin, CA 92780 USA
Tel:+1-714-460-0718 Fax:+1-714-460-0728

<http://www.palconnusa.com>

Northern California Office:

500 Yosemite Drive,
Milpitas, CA 95035 USA
Tel:+1-408-855-8866 Fax:+1-408-855-8868

HDMI SERIES



HDM046-00

Southern California Office:

15991 Red Hill Avenue, Suite #102,
Tustin, CA 92780 USA
Tel:+1-714-460-0718 Fax:+1-714-460-0728

<http://www.palconnusa.com>

Northern California Office:

500 Yosemite Drive,
Milpitas, CA 95035 USA
Tel:+1-408-855-8866 Fax:+1-408-855-8868



BATTERY SERIES

Temperature	-30°C ~ +85°C
Rated Load	AC 12V 2.0A
Contact Resistance	50mΩ Max
Insulation Resistance	500MΩ Min
Withstanding Voltage	AC500V (50Hz)/min
Actuating Force	Normal Force, 40gf Min
Durability (Life)	500 cycles Min

Southern California Office:

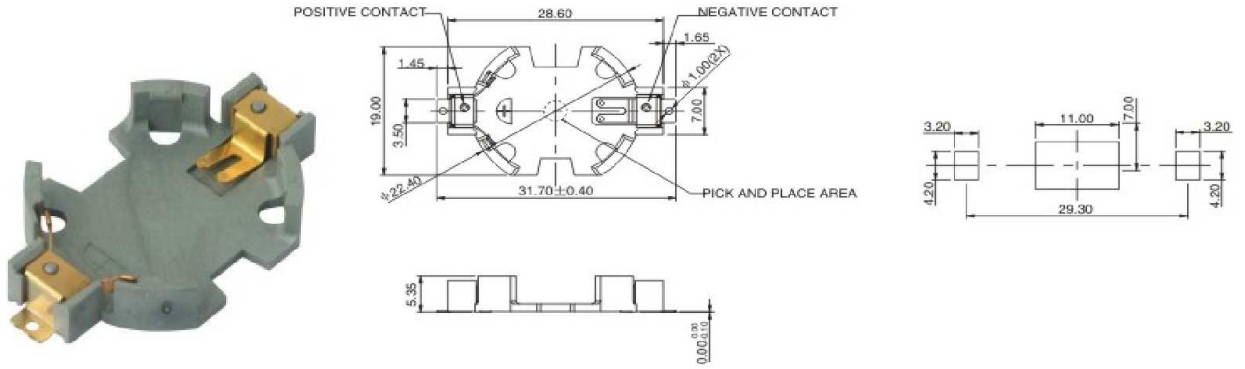
15991 Red Hill Avenue, Suite #102,
Tustin, CA 92780 USA
Tel:+1-714-460-0718 Fax:+1-714-460-0728

Northern California Office:

500 Yosemite Drive,
Milpitas, CA 95035 USA
Tel:+1-408-855-8866 Fax:+1-408-855-8868



Battery SERIES



BPH005-00

Southern California Office:

15991 Red Hill Avenue, Suite #102,
Tustin, CA 92780 USA
Tel:+1-714-460-0718 Fax:+1-714-460-0728

Northern California Office:

500 Yosemite Drive,
Milpitas, CA 95035 USA
Tel:+1-408-855-8866 Fax:+1-408-855-8868



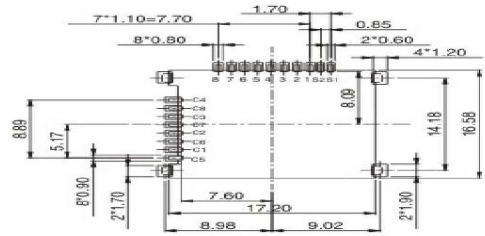
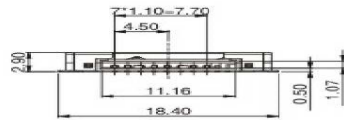
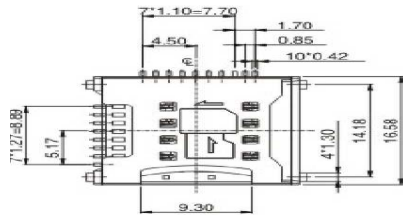
SD CARD SERIES

Temperature	-25°C ~ +85°C
Rated Load	AC 30V 0.5A
Contact Resistance	100mΩ Max
Insulation Resistance	1000MΩ Min
Withstanding Voltage	AC500V (50Hz)/min
Actuating Force	2.94N ~ 40N
Durability (Life)	10000 cycles Min

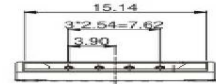
Southern California Office:
 15991 Red Hill Avenue, Suite #102,
 Tustin, CA 92780 USA
 Tel:+1-714-460-0718 Fax:+1-714-460-0728

Northern California Office:
 500 Yosemite Drive,
 Milpitas, CA 95035 USA
 Tel:+1-408-855-8866 Fax:+1-408-855-8868

SD CARD SERIES



PCB LAYOUT



SDC002-00

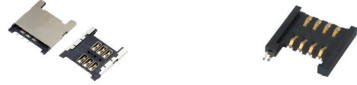
Southern California Office:

15991 Red Hill Avenue, Suite #102,
Tustin, CA 92780 USA
Tel:+1-714-460-0718 Fax:+1-714-460-0728

<http://www.palconnusa.com>

Northern California Office:

500 Yosemite Drive,
Milpitas, CA 95035 USA
Tel:+1-408-855-8866 Fax:+1-408-855-8868



SIM CARD SERIES

Temperature	-40°C ~ +85°C
Rated Load	DC 5V 0.5A
Contact Resistance	100mΩ Max
Insulation Resistance	100MΩ Min
Withstanding Voltage	AC500V (50Hz)/min
Actuating Force	1N ~ 5N
Durability (Life)	5000 cycles Min

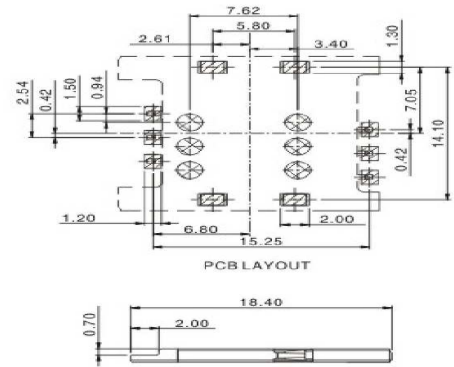
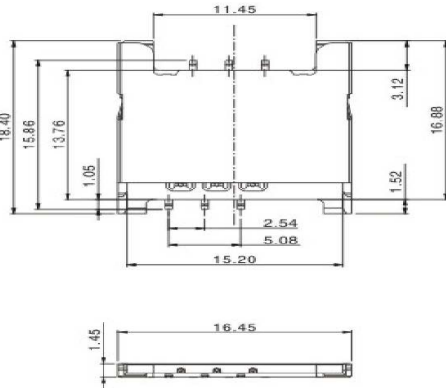
Southern California Office:

15991 Red Hill Avenue, Suite #102,
Tustin, CA 92780 USA
Tel:+1-714-460-0718 Fax:+1-714-460-0728

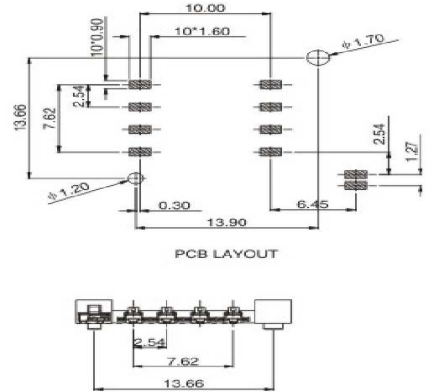
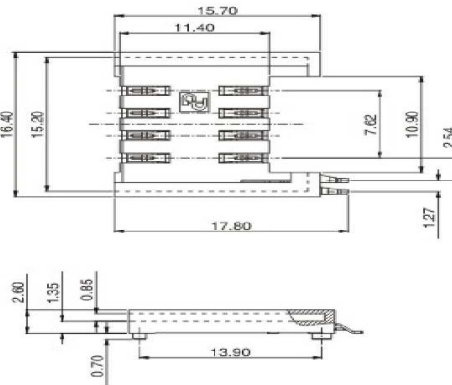
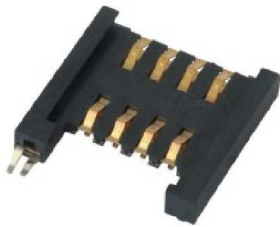
Northern California Office:

500 Yosemite Drive,
Milpitas, CA 95035 USA
Tel:+1-408-855-8866 Fax:+1-408-855-8868

SIM CARD SERIES



SIM001-00



SIM003-00

Southern California Office:

15991 Red Hill Avenue, Suite #102,
Tustin, CA 92780 USA
Tel:+1-714-460-0718 Fax:+1-714-460-0728

<http://www.palconnusa.com>

Northern California Office:

500 Yosemite Drive,
Milpitas, CA 95035 USA
Tel:+1-408-855-8866 Fax:+1-408-855-8868

Cable Series - HDMI



HM-001-029



HM-001-043



HM-001-070



HM-001-071



SA-001-001

Southern California Office:

15991 Red Hill Avenue, Suite #102,
Tustin, CA 92780 USA
Tel:+1-714-460-0718 Fax:+1-714-460-0728

<http://www.palconnusa.com>

Northern California Office:

500 Yosemite Drive,
Milpitas, CA 95035 USA
Tel:+1-408-855-8866 Fax:+1-408-855-8868



UB-002-002



UB-001-001



UB-001-003

Southern California Office:

15991 Red Hill Avenue, Suite #102,
Tustin, CA 92780 USA
Tel:+1-714-460-0718 Fax:+1-714-460-0728

<http://www.palconnusa.com>

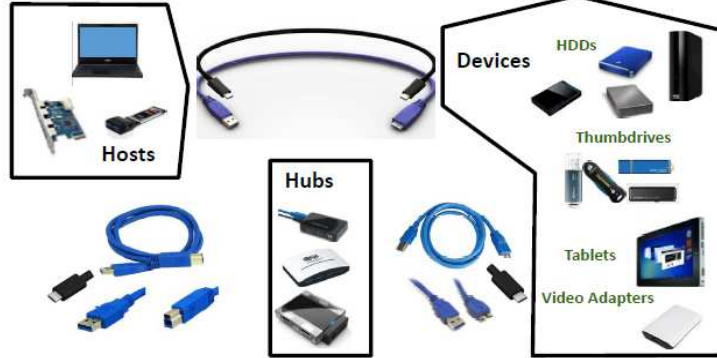
Northern California Office:

500 Yosemite Drive,
Milpitas, CA 95035 USA
Tel:+1-408-855-8866 Fax:+1-408-855-8868



USB 3.1 Cable Assemblies

Usage Model



Any certified host works with any certified hub or device in any mode..

USB 3.1 Cables



Model Number

Description

USB-UB-001-033	Type-C Full Featured, E-Mark
USB-UB-001-082	Type-C Standard Cable
USB-UB-001-043	Type-C to USB 3.1 A Male
USB-UB-001-045	Type-C to USB 3.1 B Male
USB-UB-001-046	Type-C to USB 3.1 Micro B Male
USB-UB-001-047	Type-C to USB 2.0 A Male
USB-UB-001-049	Type-C to USB 2.0 B Male
USB-UB-001-050	Type-C to USB 2.0 Mini-B Male
USB-UB-001-051	Type-C to USB 2.0 Micro-B Male
USB-UB-001-053	Type-C to USB 2.0 Type-C

USB 3.1 Adapters

USB-UB-001-054

USB Type-C to USB Standard-A Receptacle Adapter



Intended for legacy "thumb drive" use with new host platforms

USB-UB-001-055

USB Type-C to USB 2.0 Micro-B Receptacle Adaptor



Intended for adapting existing Micro-B chargers to new devices

Southern California Office:

15991 Red Hill Avenue, Suite #102,
Tustin, CA 92780 USA
Tel:+1-714-460-0718 Fax:+1-714-460-0728

<http://www.palconnusa.com>

Northern California Office:

500 Yosemite Drive,
Milpitas, CA 95035 USA
Tel:+1-408-855-8866 Fax:+1-408-855-8868



For more information regarding samples please visit www.palpilot.com