



RF Optics Solutions

RF Spectrum

Downstream
(50MHz to 1GHz) or
(50MHz to 2.6GHz)

Upstream
(Up to 42MHz)

Product Features

RFoG
RF Receiver
GPON Triplexer
RoHS Compliant

Technical Specs

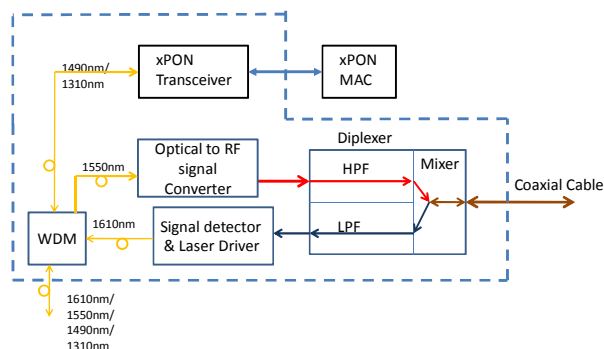
Temp 0°C ~ +70°C
Option for I-Temp

Design & Mfg. Std's

SCTE 174 2010
DOCSSIC 3.0

Applications

Networking
CATV
Satellite



PalCONN, the Interconnect Division of PalPilot, has introduced a new series of RF optics solutions.

Ideal for xPON ONT, CATV Receiver, and Satellite Distribution System.

Our modules can be tailored and customized according to customer's requirements. We have the following building blocks ready:

1. RF receiver,
2. RF Return Path Transmitter
3. xPON Transceiver
4. WDM.

Products:

1. RFoG
2. xPON Triplexer
3. xPON Quadplexer
4. Satellite Receiver (V-ONU)
5. RF receiver

RF over glass solution (RFoG) is designed with RF return ability in RF module. It also supports up to 1GHz wide RF response for all applications. A high performance WDM filter is built-in for PON application. We offer to combine the xPON ONU Transceiver and RFoG for Quadplexer solutions.

For standard product details, please refer to online data sheets, or contact PalCONN.

PALCONN[®]

www.palconnusa.com

3000 Kenneth Street, Santa Clara, CA 95054
Phone: 408-855-8866 Fax: 408-855-8868

15991 Red Hill Ave., Suite 102, Tustin, CA 92780
Phone: 714-460-0718 Fax: 714-460-0728