

●
**SWITCHING
POWER
TRANSFORMERS**



PALNOVA

Table of contents

Page



Switching Power Transformers

2



Flyback Transformers

21



Coupling Transformers

33



RF Transformers

39

Sample Request

42

| Switching Power Transformers | |
|------------------------------|----------------------|
| PP0496Q | 14.5 X 14.6 X 20.0 |
| PP0972Q | 14.5 X 14.6 X 20.0 |
| PD0922E | 11.40 X 12.20 X 6.20 |
| PD0435F | 12.30 X 11.00 X 7.0 |
| PD0815E | 17.0 X 18.0 X 8.50 |
| PP1264Q | 21.0 X 21.0 X 12.30 |
| PD1265Y | 21.5 X 21.5 X 11.0 |
| PD1067W | 29.5 X 22.0 X 10.6 |
| PP1246GA | 33.0 X 33.0 X 18.0 |
| PP1060M | 18.0 X 20.0 X 16.0 |
| PP1161Q | 18.0 X 20.0 X 17.0 |
| PP2006Q | 18.0 X 20.0 X 17.5 |
| PP0128G | 13.50 X 18.0 X 16.0 |
| PP0584K | 13.50 X 18.0 X 20.0 |
| PP0763K | 13.50 X 18.0 X 16.0 |
| PP0445H | 30.0 X 28.0 X 23.0 |
| PP0613DA | 18.5 X 20.3 X 13.0 |
| PP0955V | 18.5 X 20.3 X 13.0 |
| PP2104Q | 19.0 X 20.0 X 17.0 |

Southern California Office:

15991 Red Hill Avenue, Suite #102
Tustin, California 92780 USA
Tel: +1-714-460-0718 Fax: +1-714-460-0728

Northern California Office:

500 Yosemite Drive
Milpitas, California 95035 USA
Tel: +1-408-855-8866 Fax: +1-408-855-8868

SWITCHING POWER TRANSFORMERS

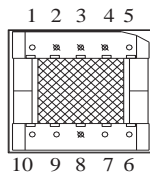
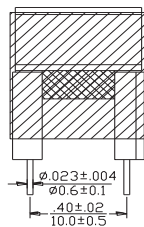
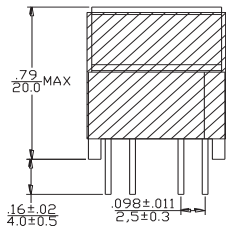
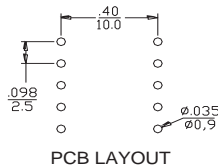
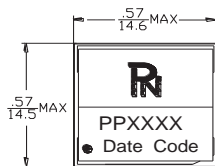
- Designed to meet UL 60950-1
- Core material ferrite
- Isolation 3000 Vrms
- Recommended solder profile: Wave soldering
- RoHS compliant
- Operating temperature range: 0°C TO +70°C



Electrical Specifications @ 25°C

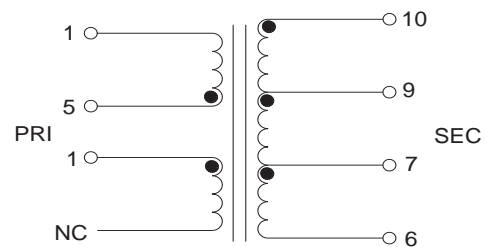
| P/N | T/R (±2%) | OCL@50KHz 1.0V (mH ±10%) | LL@100KHz 0.1V (μH MAX) | Hi-pot (Vrms) |
|---------|--------------------------|-----------------------------|----------------------------|------------------|
| | (1-5):(7-6):(9-7):(10-9) | (1-5) | (1-5), (tie6+7+9+10) | PRI TO SEC |
| PP0496Q | 88:4:3:3 | 1.25 | 90 | 3000 |
| PP0972Q | 88:7:3:1 | 1.24 | 60 | 3000 |

Dimensions (unit: inch/mm)



CUT: Pin2,3,4,8

Schematics



Southern California Office:

15991 Red Hill Avenue, Suite #102
Tustin, California 92780 USA
Tel: +1-714-460-0718 Fax: +1-714-460-0728

Northern California Office:

500 Yosemite Drive
Milpitas, California 95035 USA
Tel: +1-408-855-8866 Fax: +1-408-855-8868

<http://www.palnova.com>

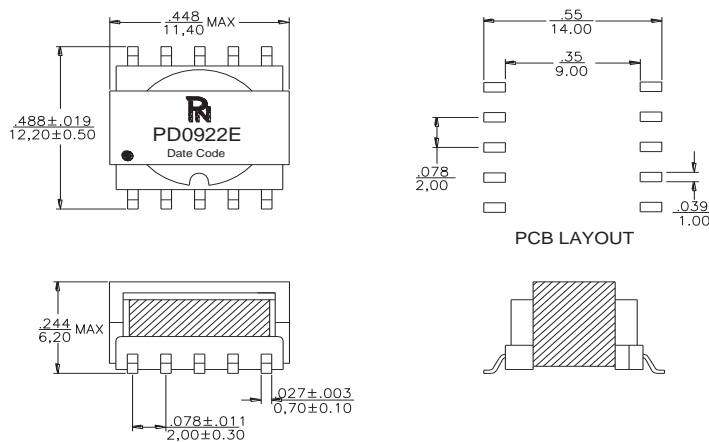
SWITCHING POWER TRANSFORMERS

- Designed to meet UL 60950-1
- Core material ferrite
- Isolation 500 Vrms
- Recommended solder profile: Reflow
- RoHS compliant
- Operating temperature range: 0°C TO +70°C

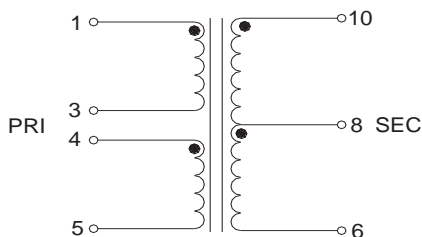


| Electrical Specifications @ 25°C | | | |
|----------------------------------|--------------------------|-------------------------------|------------|
| P/N | T/R (±2%) | OCL @ 10KHz 0.1V (μH ±20%) | Hi-Pot |
| | (1-3):(8-6):(10-8):(4-5) | (1-3) | PRI TO SEC |
| PD0922E | 8:83:125:8 | 10 | 500 |

Dimensions (unit: inch/mm)



Schematics



Southern California Office:

15991 Red Hill Avenue, Suite #102
Tustin, California 92780 USA
Tel: +1-714-460-0718 Fax: +1-714-460-0728

Northern California Office:

500 Yosemite Drive
Milpitas, California 95035 USA
Tel: +1-408-855-8866 Fax: +1-408-855-8868

<http://www.palnova.com>

SWITCHING POWER TRANSFORMERS

- Designed to meet UL 60950-1
- Core material ferrite
- Isolation 500 Vrms
- Recommended solder profile: Reflow
- RoHS compliant
- Operating temperature range: 0°C TO +85°C



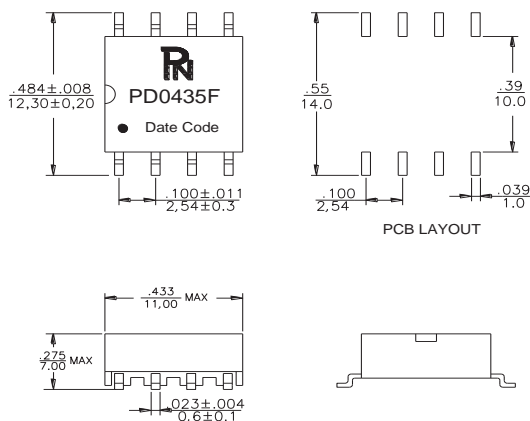
Electrical Specifications @ 25°C

| P/N | T/R | | | | OCL @ 100KHz 0.1V (μH MAX) | Hi-pot (Vrms) PRI TO SEC |
|---------|-------------|-------------|-------------|-------------|-------------------------------|--------------------------------|
| | (1-8):(2-7) | (1-8):(8-2) | (1-8):(3-5) | (1-8):(5-4) | | |
| PD0435F | 1:1 | 1:1 | 1:0.38 | 1:0.38 | 3.38 | 500 |

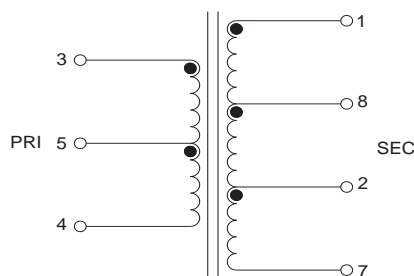
Additional Specifications

| P/N | D.C.R (mΩ MAX) | | | |
|---------|-------------------|-------|-------|--------------|
| | (3-5) | (2-1) | (8-7) | (12,11-10,9) |
| PD0435F | 190 | 1000 | 650 | 50 |

Dimensions (unit: inch/mm)



Schematics



Southern California Office:

15991 Red Hill Avenue, Suite #102
Tustin, California 92780 USA
Tel: +1-714-460-0718 Fax: +1-714-460-0728

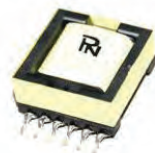
Northern California Office:

500 Yosemite Drive
Milpitas, California 95035 USA
Tel: +1-408-855-8866 Fax: +1-408-855-8868

<http://www.palnova.com>

SWITCHING POWER TRANSFORMERS

- Designed to meet UL 60950-1
- Core material ferrite
- Isolation 500 Vrms
- Recommended solder profile: Reflow
- RoHS compliant
- Operating temperature range: 0°C TO +85°C



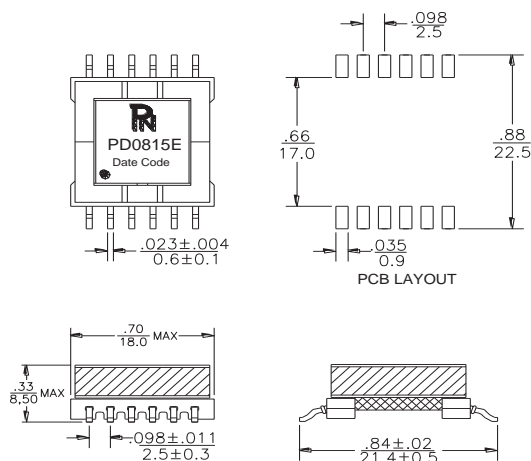
Electrical Specifications @ 25°C

| P/N | T/R (±2%) | | | | | OCL @ 100KHz 1.0V (μH ±10%) |
|---------|---------------|--------------|--------------|--------------|---------------|--------------------------------|
| | (1-12):(2-11) | (1-12):(4-9) | (1-12):(5-8) | (1-12):(6-7) | (1-12):(3-10) | (1-12) |
| PD0815E | 1:1 | 1:1.375 | 1:1.375 | 1:2 | 1:1 | 9.9 |

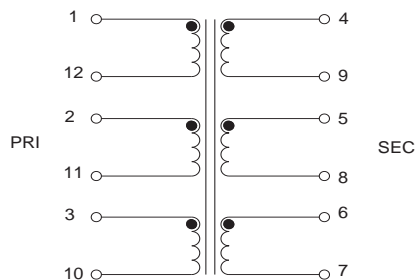
Additional Specifications

| P/N | D.C.R (mΩ MAX) | | | | | | Hi-pot (Vrms) |
|---------|-------------------|-------|-------|--------|--------|-------|------------------|
| | (1-12) | (4-9) | (6-7) | (3-10) | (2-11) | (5-8) | PRI TO SEC |
| PD0815E | 45 | 90 | 140 | 50 | 45 | 90 | 500 |

Dimensions (unit: inch/mm)



Schematics



Southern California Office:

15991 Red Hill Avenue, Suite #102
Tustin, California 92780 USA
Tel: +1-714-460-0718 Fax: +1-714-460-0728

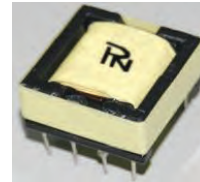
Northern California Office:

500 Yosemite Drive
Milpitas, California 95035 USA
Tel: +1-408-855-8866 Fax: +1-408-855-8868

<http://www.palnova.com>

SWITCHING POWER TRANSFORMERS

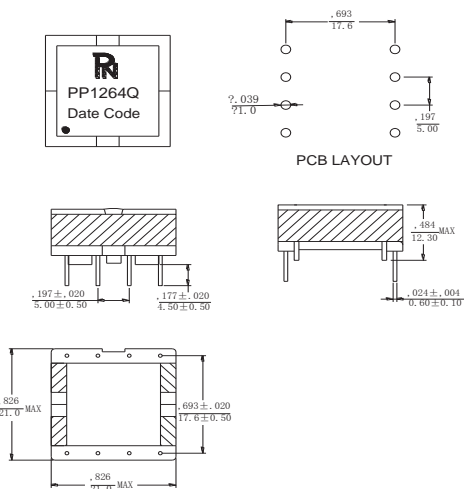
- Designed to meet UL 60950-1
- Core material ferrite
- Isolation 3000 Vrms
- Recommended solder profile: Wave soldering
- RoHS compliant
- Operating temperature range: 0°C TO +70°C



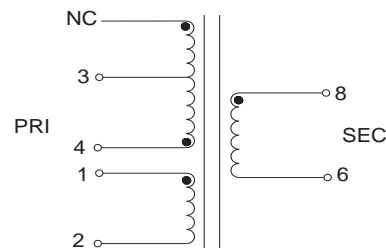
Electrical Specifications @ 25°C

| P/N | T/R (±2%) | OCL@10KHz 0.1V (mH ±10%) | LL@100KHz 0.1V (μH MAX) | D.C.R (Ω MAX) | Hi-pot (Vrms) |
|---------|---------------------|------------------------------|-----------------------------|-------------------|------------------|
| | (3-4) : (1-2):(8-6) | (3-4) | (3-4),(tie2+6+8) | (3-4) | PRI TO SEC |
| PP1264Q | 8.07:1:1.6 | 1.524 | 45.7 | 1.6 | 3000 |

Dimensions (unit: inch/mm)



Schematics



Southern California Office:

15991 Red Hill Avenue, Suite #102
Tustin, California 92780 USA
Tel: +1-714-460-0718 Fax: +1-714-460-0728

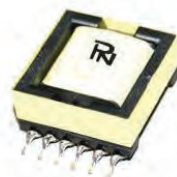
Northern California Office:

500 Yosemite Drive
Milpitas, California 95035 USA
Tel: +1-408-855-8866 Fax: +1-408-855-8868

<http://www.palnova.com>

SWITCHING POWER TRANSFORMERS

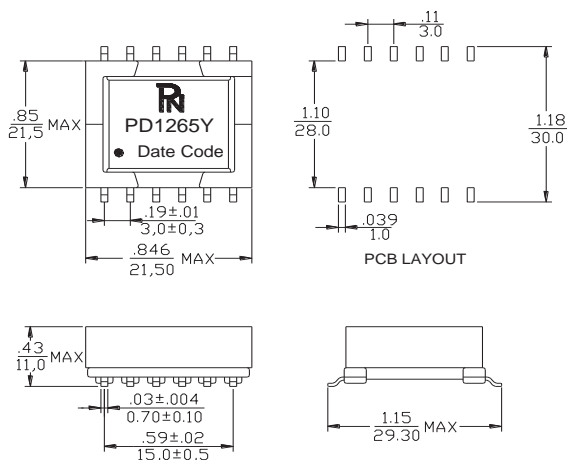
- Designed to meet UL 60950-1
- Core material ferrite
- Isolation 500 Vrms
- Recommended solder profile: Reflow
- RoHS compliant
- Operating temperature range: 0°C TO +85°C



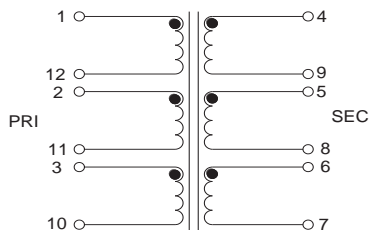
Electrical Specifications @ 25°C

| P/N | T/R (±2%) | OCL@100KHz 0.1V (µH ±10%) | D.C.R (mΩ MAX) | | | Hi-pot (Vrms) |
|---------|------------------------------------------|------------------------------|-------------------|--------|--------|------------------|
| | (1-12) : (2-11):(3-10):(4-9):(5-8):(6-7) | (1,2,3-10,11,12) | (1-12) | (2-11) | (3-10) | PRI TO SEC |
| PD1265Y | 1:1:1:2.5:1.5:2 | 3 | 30 | 30 | 30 | 500 |

Dimensions (unit: inch/mm)



Schematics



Southern California Office:

15991 Red Hill Avenue, Suite #102
Tustin, California 92780 USA
Tel: +1-714-460-0718 Fax: +1-714-460-0728

Northern California Office:

500 Yosemite Drive
Milpitas, California 95035 USA
Tel: +1-408-855-8866 Fax: +1-408-855-8868

<http://www.palnova.com>

SWITCHING POWER TRANSFORMERS

- Designed to meet UL 60950-1
- Core material ferrite
- Isolation 1500 Vrms
- Recommended solder profile: Reflow
- RoHS compliant
- Operating temperature range: 0°C TO +85°C



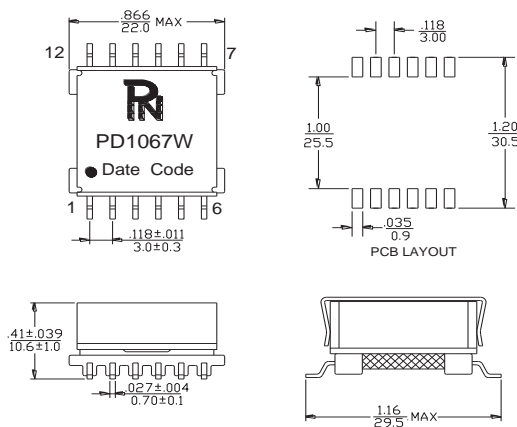
Electrical Specifications @ 25°C

| P/N | T/R (±2%) | OCL @ 100KHz 1.0V (μH ±5%) | LL @ 100KHz 1.0V (μH MAX) |
|---------|--------------|--------------------------------|------------------------------|
| | | (3-5):(2-1):(12,11-10,9):(8-7) | (3-5) |
| PD1067W | 44:20:9:20 | 100 | 2.05 |

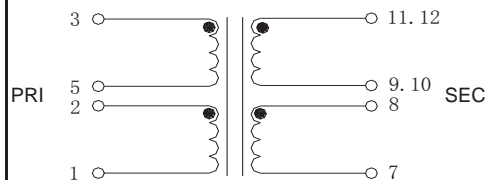
Additional Specifications

| P/N | D.C.R (Ω MAX) | | | | Hi-pot (Vrms) |
|---------|------------------|-------|-------|--------------|------------------|
| | (3-5) | (2-1) | (8-7) | (12,11-10,9) | PRI TO SEC |
| PD1067W | 0.76 | 1.1 | 0.15 | 0.101 | 1500 |

Dimensions (unit: inch/mm)



Schematics



Southern California Office:

15991 Red Hill Avenue, Suite #102
Tustin, California 92780 USA
Tel: +1-714-460-0718 Fax: +1-714-460-0728

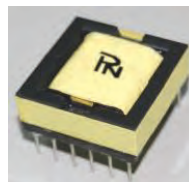
Northern California Office:

500 Yosemite Drive
Milpitas, California 95035 USA
Tel: +1-408-855-8866 Fax: +1-408-855-8868

<http://www.palnova.com>

SWITCHING POWER TRANSFORMERS

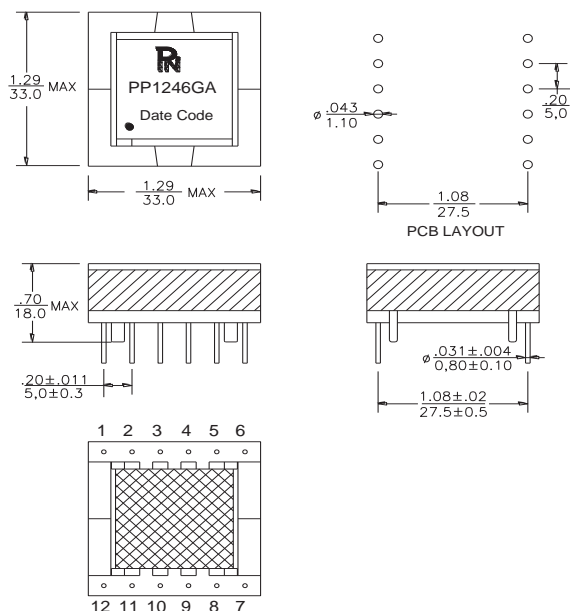
- Designed to meet UL 60950-1
- Core material ferrite
- Isolation 3000 Vrms
- Recommended solder profile: Wave soldering
- RoHS compliant
- Operating temperature range: 0°C TO +70°C



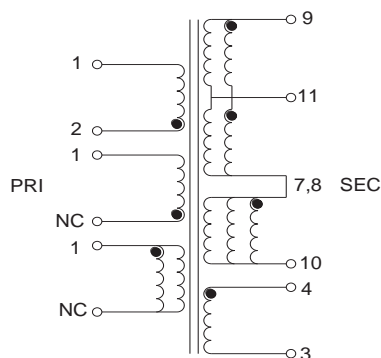
Electrical Specifications @ 25°C

| P/N | T/R (±2%) | OCL@10KHz 0.1V (μH±10%) | LL@100KHz 0.1V (μH MAX) | Hi-pot (Vrms) |
|----------|--------------------------------------|----------------------------|-----------------------------|------------------|
| | (2-1):(4-3):(7,8-10):(11-7,9):(9-11) | (2-1) | (2-1), (tie4+3,7+8+9+10+11) | PRI TO SEC |
| PP1246GA | 58:8:10:1:3 | 605 | 20 | 3000 |

Dimensions (unit: inch/mm)



Schematics



Southern California Office:

15991 Red Hill Avenue, Suite #102
Tustin, California 92780 USA
Tel: +1-714-460-0718 Fax: +1-714-460-0728

Northern California Office:

500 Yosemite Drive
Milpitas, California 95035 USA
Tel: +1-408-855-8866 Fax: +1-408-855-8868

<http://www.palnova.com>

SWITCHING POWER TRANSFORMERS

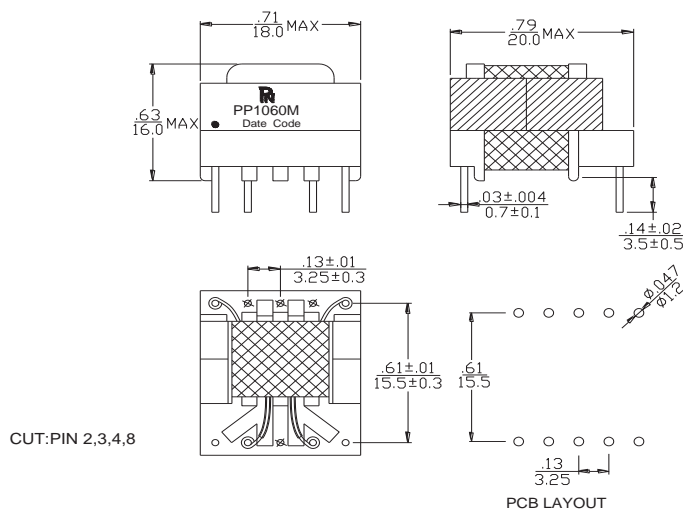
- Designed to meet UL 60950-1
- Core material ferrite
- Isolation 3000 Vrms
- Recommended solder profile: Wave soldering
- RoHS compliant
- Operating temperature range: 0°C TO +70°C



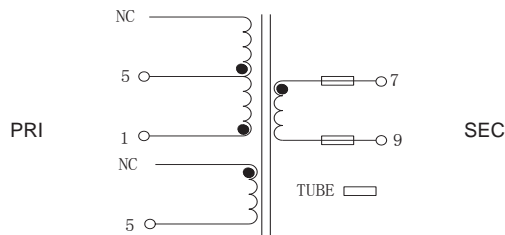
Electrical Specifications @ 25°C

| P/N | T/R (±2%) | OCL@50KHz 0.1V (μH ±10%) | LL@100KHz 0.1V (μH MAX) | D.C.R (Ω MAX) | Hi-pot (Vrms) |
|---------|--------------|-----------------------------|----------------------------|------------------|------------------|
| | (1-5):(7-9) | (1-5) | (1-5) ,(tie7+9) | (1-5) | PRI TO SEC |
| PP1060M | 80:11 | 830 | 40 | 5 | 3000 |

Dimensions (unit: inch/mm)



Schematics



Southern California Office:

15991 Red Hill Avenue, Suite #102
Tustin, California 92780 USA
Tel: +1-714-460-0718 Fax: +1-714-460-0728

Northern California Office:

500 Yosemite Drive
Milpitas, California 95035 USA
Tel: +1-408-855-8866 Fax: +1-408-855-8868

<http://www.palnova.com>

SWITCHING POWER TRANSFORMERS

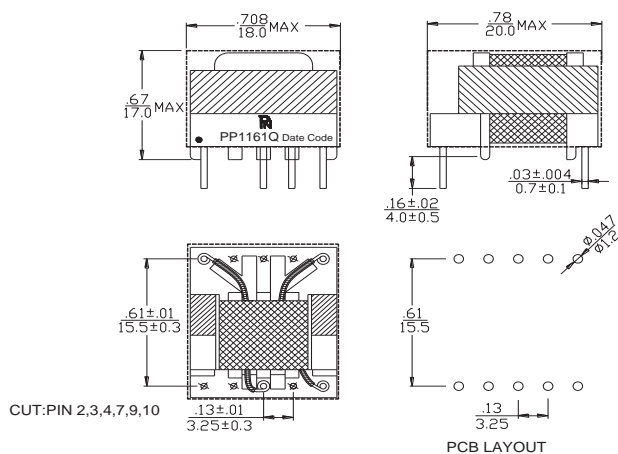
- Designed to meet UL 60950-1
- Core material ferrite
- Isolation 3000 Vrms
- Recommended solder profile: Wave soldering
- RoHS compliant
- Operating temperature range: 0°C TO +70°C



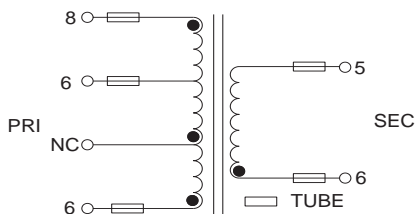
Electrical Specifications @ 25°C

| P/N | T/R | OCL@10KHz 0.1V | LL@100KHz 0.1V | D.C.R | | Hi-pot |
|---------|-------------|----------------|----------------|---------|---------|------------|
| | (±2%) | (mH±10%) | (µH MAX) | (Ω MAX) | (Ω MAX) | (Vrms) |
| | (8-6):(5-1) | (8-6) | (8-6),(tie1+5) | (8-6) | (1-5) | PRI TO SEC |
| PP1161Q | 61.5:7 | 1.4 | 85 | 3.5 | 0.12 | 3000 |

Dimensions (unit: inch/mm)



Schematics



Southern California Office:

15991 Red Hill Avenue, Suite #102
Tustin, California 92780 USA
Tel: +1-714-460-0718 Fax: +1-714-460-0728

Northern California Office:

500 Yosemite Drive
Milpitas, California 95035 USA
Tel: +1-408-855-8866 Fax: +1-408-855-8868

SWITCHING POWER TRANSFORMERS

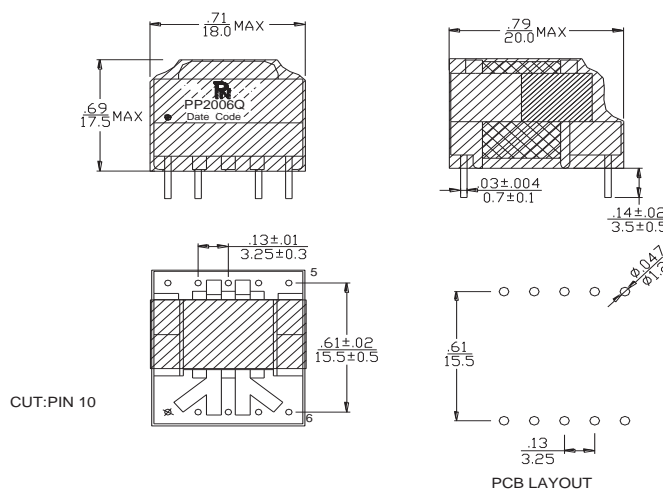
- Designed to meet UL 60950-1
- Core material ferrite
- Isolation 3000 Vrms
- Recommended solder profile: Wave soldering
- RoHS compliant
- Operating temperature range: 0°C TO +70°C



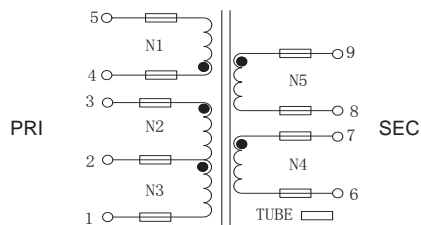
Electrical Specifications @ 25°C

| P/N | T/R (±3%) | OCL@50KHz 1.0V (mH ±10%) | LL@50KHz 1.0V (μH MAX) | D.C.R (Ω MAX) | Hi-pot (Vrms) |
|---------|--------------------------------|-----------------------------|-----------------------------|------------------|------------------|
| | (4-5):(3-2):(2-1): (7-6):(9-8) | (4-5) | (4-5) (tie1+2+3+6+7+8+9) | (4-5) | PRI TO SEC |
| PP2006Q | 153:11:7:7:14 | 1.91 | 100 | 8.5 | 3000 |

Dimensions (unit: inch/mm)



Schematics



Southern California Office:

15991 Red Hill Avenue, Suite #102
Tustin, California 92780 USA
Tel: +1-714-460-0718 Fax: +1-714-460-0728

Northern California Office:

500 Yosemite Drive
Milpitas, California 95035 USA
Tel: +1-408-855-8866 Fax: +1-408-855-8868

<http://www.palnova.com>

SWITCHING POWER TRANSFORMERS

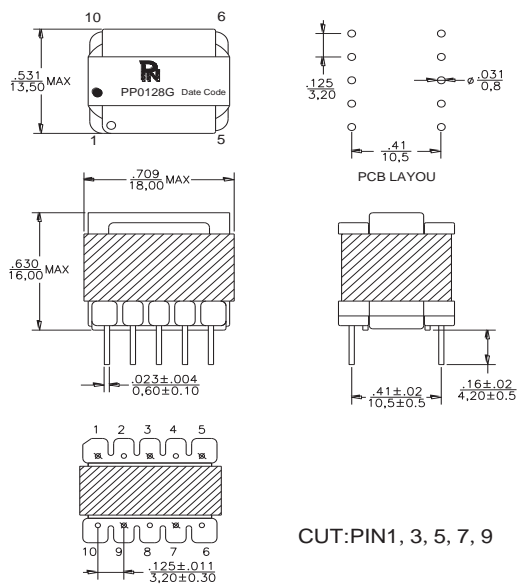
- Designed to meet UL 60950-1
- Core material ferrite
- Isolation 3000 Vrms
- Recommended solder profile: Wave soldering
- RoHS compliant
- Operating temperature range: 0°C TO +70°C



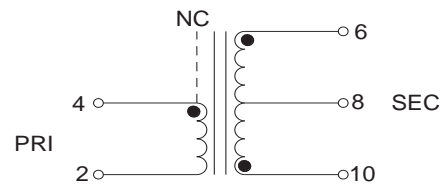
Electrical Specifications @ 25°C

| P/N | T/R (±2%) | | | OCL@100KHz 0.1V (mH ±10%) | LL@100KHz 0.1V (µH MAX) | Hi-pot (Vrms) |
|---------|--------------|--------------|--------------|------------------------------|----------------------------|------------------|
| | (4-2):(6-8) | (4-2):(10-8) | (6-8):(10-8) | (4-2) | (4-2),(tie 6+8+10) | PRI TO SEC |
| PP0128G | 9.7 : 1 | 19.4 : 1 | 2 : 1 | 1.48 | 90 | 3000 |

Dimensions (unit: inch/mm)



Schematics



Southern California Office:

15991 Red Hill Avenue, Suite #102
Tustin, California 92780 USA
Tel: +1-714-460-0718 Fax: +1-714-460-0728

Northern California Office:

500 Yosemite Drive
Milpitas, California 95035 USA
Tel: +1-408-855-8866 Fax: +1-408-855-8868

<http://www.palnova.com>

SWITCHING POWER TRANSFORMERS

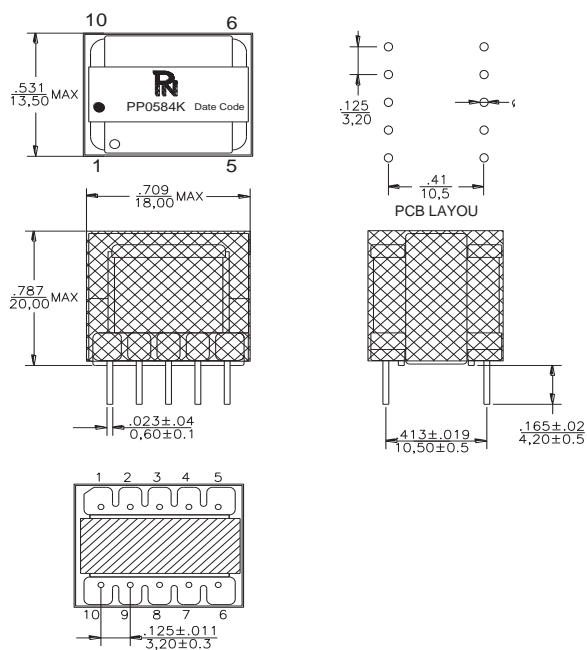
- Designed to meet UL 60950-1
- Core material ferrite
- Isolation 3000 Vrms
- Recommended solder profile: Wave soldering
- RoHS compliant
- Operating temperature range: 0°C TO +70°C



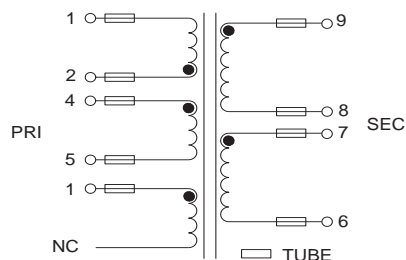
Electrical Specifications @ 25°C

| P/N | T/R (±2%) | OCL@50KHz 1.0V (mH±10%) | LL@100KHz 1.0V (μH MAX) | Hi-pot (Vrms) |
|---------|-------------------------|----------------------------|----------------------------|------------------|
| | (2-1):(4-5):(7-6):(9-8) | (2-1) | (2-1), (tie3+4+5+6+7+8+9) | PRI TO SEC |
| PP0584K | 104:5:5:7 | 2.25 | 90 | 3000 |

Dimensions (unit: inch/mm)



Schematics



Southern California Office:

15991 Red Hill Avenue, Suite #102
Tustin, California 92780 USA
Tel: +1-714-460-0718 Fax: +1-714-460-0728

Northern California Office:

500 Yosemite Drive
Milpitas, California 95035 USA
Tel: +1-408-855-8866 Fax: +1-408-855-8868

<http://www.palnova.com>

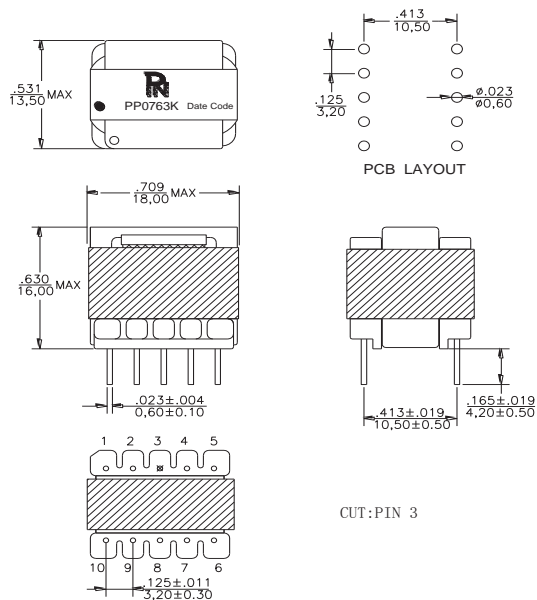
SWITCHING POWER TRANSFORMERS

- Designed to meet UL 60950-1
- Core material ferrite
- Isolation 3000 Vrms
- Recommended solder profile: Wave soldering
- RoHS compliant
- Operating temperature range: 0°C TO +70°C

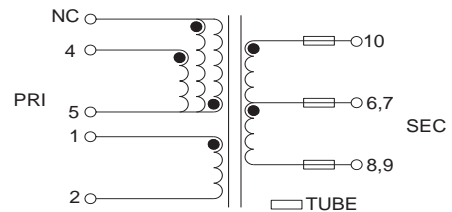


| Electrical Specifications @ 25°C | | | | | |
|----------------------------------|--------------------------------|----------------------------|---------------------------|------------------|------------------|
| P/N | T/R (±2%) | OCL@50KHz 1.0V (μH±10%) | LL@50KHz 1.0V (μH MAX) | D.C.R (Ω MAX) | Hi-pot (Vrms) |
| | (1-2):(4-5):(10-6,7):(6,7-8,9) | (4-5) | (4-5),(tie1+2+6+7+8+9+10) | (4-5) | PRI TO SEC |
| PP0763K | 10:80:5:3 | 800 | 30 | 2.5 | 3000 |

Dimensions (unit: inch/mm)



Schematics



Southern California Office:

15991 Red Hill Avenue, Suite #102
Tustin, California 92780 USA
Tel: +1-714-460-0718 Fax: +1-714-460-0728

Northern California Office:

500 Yosemite Drive
Milpitas, California 95035 USA
Tel: +1-408-855-8866 Fax: +1-408-855-8868

<http://www.palnova.com>

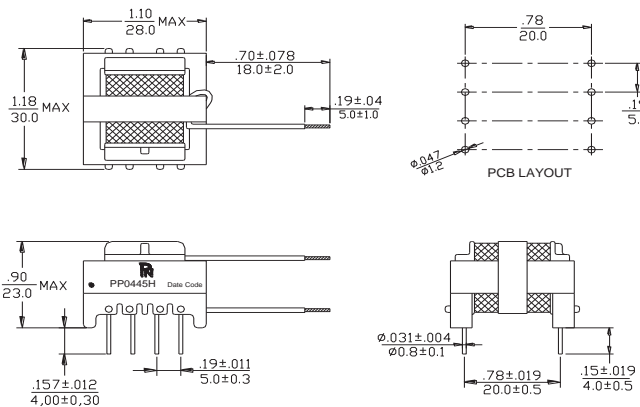
SWITCHING POWER TRANSFORMERS

- Designed to meet UL 60950-1
- Core material ferrite
- Isolation 3000 Vrms
- Recommended solder profile: Wave soldering
- RoHS compliant
- Operating temperature range: 0°C TO +70°C

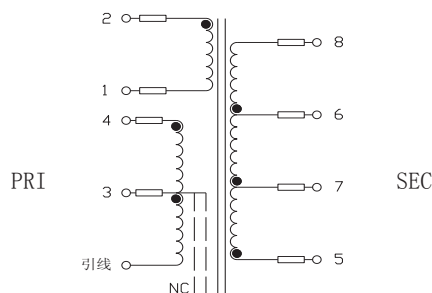


| Electrical Specifications @ 25°C | | | | | |
|----------------------------------|-------------------------------|------------------------------|------------------------------|------------------|------------------|
| P/N | T/R (±2%) | OCL @ 10KHz 0.1V (mH±10%) | LL @ 100KHz 0.1V (μH MAX) | D.C.R (Ω MAX) | Hi-pot (Vrms) |
| | (2-1):(4-3):(5-7):(6-8):(7-6) | (1-2) | (1-2),(tie3+4, 5+6+7+8) | (1-2) | PRI TO SEC |
| PP0445H | 60:12 :7:12:5 | 0.6 | 15 | 1.2 | 3000 |

Dimensions (unit: inch/mm)



Schematics



Southern California Office:

15991 Red Hill Avenue, Suite #102
Tustin, California 92780 USA
Tel: +1-714-460-0718 Fax: +1-714-460-0728

Northern California Office:

500 Yosemite Drive
Milpitas, California 95035 USA
Tel: +1-408-855-8866 Fax: +1-408-855-8868

<http://www.palnova.com>

SWITCHING POWER TRANSFORMERS

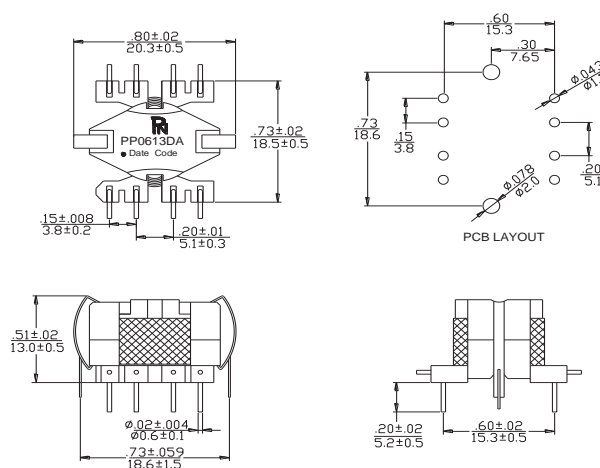
- Designed to meet UL 60950-1
- Core material ferrite
- Isolation 1500 Vrms
- Recommended solder profile: Wave soldering
- RoHS compliant
- Operating temperature range: 0°C TO +70°C



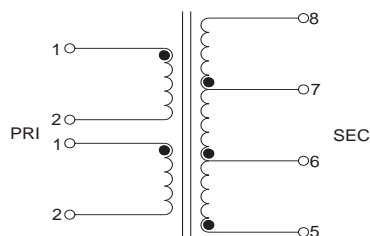
Electrical Specifications @ 25°C

| P/N | T/R (±2%) | OCL@100KHz 1.0V (μH±10%) | Hi-pot (Vrms) |
|----------|--------------|-----------------------------|------------------|
| | | (1-2):(7-8):(6-7):(5-6) | (1-2) |
| PP0613DA | 9:46:26:6 | 15 | 1500 |

Dimensions (unit: inch/mm)



Schematics



Southern California Office:

15991 Red Hill Avenue, Suite #102
Tustin, California 92780 USA
Tel: +1-714-460-0718 Fax: +1-714-460-0728

Northern California Office:

500 Yosemite Drive
Milpitas, California 95035 USA
Tel: +1-408-855-8866 Fax: +1-408-855-8868

<http://www.palnova.com>

SWITCHING POWER TRANSFORMERS

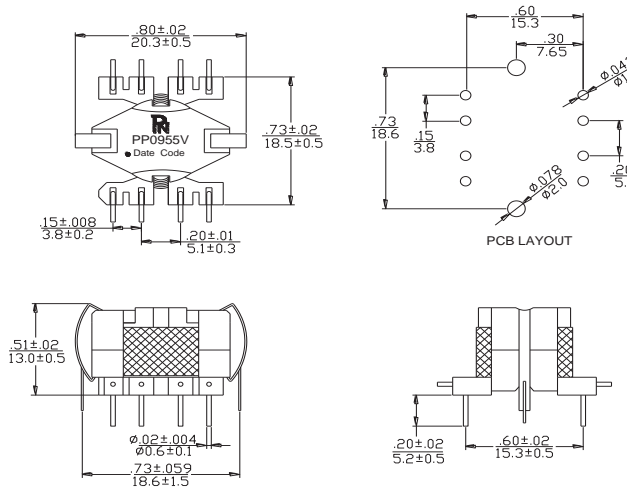
- Designed to meet UL 60950-1
- Core material ferrite
- Isolation 1500 Vrms
- Recommended solder profile: Wave soldering
- RoHS compliant
- Operating temperature range: 0°C TO +70°C



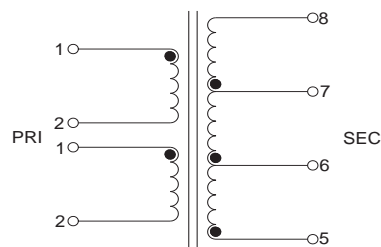
Electrical Specifications @ 25°C

| P/N | T/R | OCL@100KHz 1.0V | Hi-pot |
|---------|-------------------------|-----------------|------------|
| | (±2%) | (μH±10%) | (Vrms) |
| | (1-2):(7-8):(6-7):(5-6) | (1-2) | PRI TO SEC |
| PP0955V | 9:64:26:6 | 15 | 1500 |

Dimensions (unit: inch/mm)



Schematics



Southern California Office:

15991 Red Hill Avenue, Suite #102
Tustin, California 92780 USA
Tel: +1-714-460-0718 Fax: +1-714-460-0728

Northern California Office:

500 Yosemite Drive
Milpitas, California 95035 USA
Tel: +1-408-855-8866 Fax: +1-408-855-8868

<http://www.palnova.com>

SWITCHING POWER TRANSFORMERS

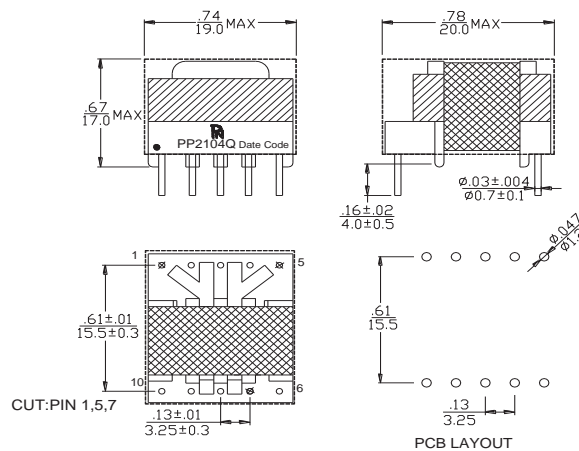
- Designed to meet UL 60950-1
- Core material ferrite
- Isolation 3000 Vrms
- Recommended solder profile: Wave soldering
- RoHS compliant
- Operating temperature range: 0°C TO +70°C



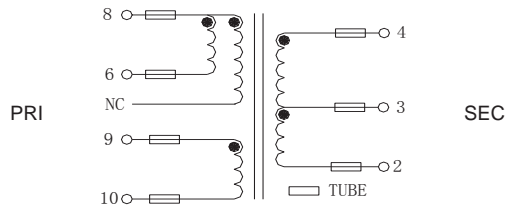
Electrical Specifications @ 25°C

| P/N | T/R (±2%) | OCL@10KHz 0.1V (mH±10%) | LL@100KHz 0.1V (μH MAX) | D.C.R (Ω MAX) | Hi-pot (Vrms) |
|---------|--------------------------|----------------------------|----------------------------|------------------|------------------|
| | (8-6):(9-10):(4-3):(3-2) | (8-6) | (8-6) ,(tie2+3+4+9+10) | (8-6) | PRI TO SEC |
| PP2104Q | 124:18:11:5 | 2 | 80 | 5 | 3000 |

Dimensions (unit: inch/mm)



Schematics



Southern California Office:

15991 Red Hill Avenue, Suite #102
Tustin, California 92780 USA
Tel: +1-714-460-0718 Fax: +1-714-460-0728

Northern California Office:

500 Yosemite Drive
Milpitas, California 95035 USA
Tel: +1-408-855-8866 Fax: +1-408-855-8868

<http://www.palnova.com>



| Flyback Transformers | |
|----------------------|---------------------|
| PD0292W | 14.6 X 11.8 X 10.5 |
| PD0865W | 9.0 DIA X 10.50 HT. |
| PD0990V | 14.6 X 11.8 X 10.5 |
| PD1753W | 14.6 X 11.8 X 10.5 |
| PD2319W | 14.6 X 11.8 X 10.5 |
| PD01067V | 18.0 X13.5 X 12.7 |
| PD0741H | 18.0 X 13.5 X 12.7 |
| PD0973W | 18.0 X 13.5 X 12.7 |
| PD0136V | 16.9 X 14.5 X 13.0 |
| PD1628W | 16.9 X 14.5 X13.0 |
| PD0156G | 22.23 X 17.15 X 8.3 |
| | |

Southern California Office:

15991 Red Hill Avenue, Suite #102
Tustin, California 92780 USA
Tel: +1-714-460-0718 Fax: +1-714-460-0728

Northern California Office:

500 Yosemite Drive
Milpitas, California 95035 USA
Tel: +1-408-855-8866 Fax: +1-408-855-8868

<http://www.palnova.com>

FLYBACK TRANSFORMERS

- Designed to meet UL 60950-1
- Ideally used as a POE Transformer
- Isolation 1500 Vrms
- Recommended solder profile: Reflow
- RoHS compliant
- Operating temperature range: -40°C TO +85°C



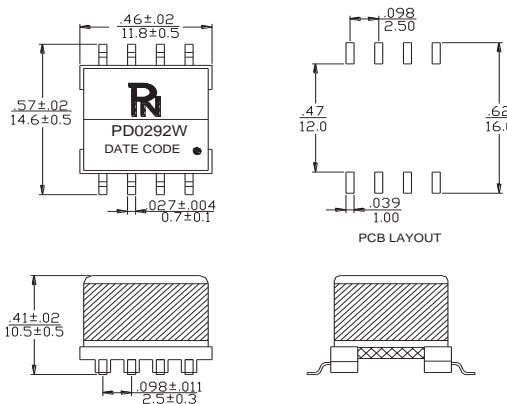
Electrical Specifications @ 25°C

| P/N | T/R | OCL @ 100KHz 0.1V | LL @ 200KHz 0.1V | Hi-pot |
|---------|-----------------|-------------------|--------------------|------------|
| | (±1%) | (μH ±10%) | (μH MAX) | (Vrms) |
| | (3-2):(5,6-7,8) | (3-2) | (3-2),(tie5+6+7+8) | PRI TO SEC |
| PD0292W | 5:2 | 40 | 1 | 1500 |

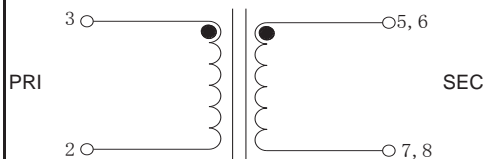
Additional Specifications

| P/N | D.C.R (mΩ MAX) | | IPK | VOLTAGE | POWER |
|---------|----------------|-----------|-----|---------|-------|
| | (3-2) | (5,6-7,8) | PRI | INPUT: | OUT |
| PD0292W | 98 | 85 | 1.3 | 36V~72V | 10W |

Dimensions (unit: inch/mm)



Schematics



Southern California Office:

15991 Red Hill Avenue, Suite #102
Tustin, California 92780 USA
Tel: +1-714-460-0718 Fax: +1-714-460-0728

Northern California Office:

500 Yosemite Drive
Milpitas, California 95035 USA
Tel: +1-408-855-8866 Fax: +1-408-855-8868

<http://www.palnova.com>

FLYBACK TRANSFORMERS

- Designed to meet UL 60950-1
- Ideally used as a POE Transformer
- Isolation 1500 Vrms
- Recommended solder profile: Reflow
- RoHS compliant
- Operating temperature range: -40°C TO +85°C



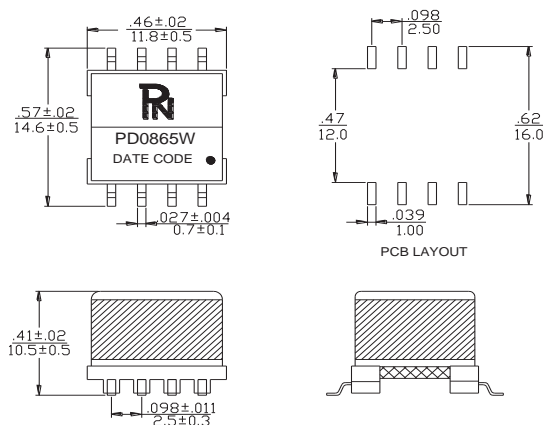
Electrical Specifications @ 25°C

| P/N | T/R (±1%) | OCL @ 100KHz 0.1V ($\mu\text{H} \pm 10\%$) | Hi-pot (Vrms) | |
|---------|-----------------------|-------------------------------------------------|------------------|--|
| | (3-4):(5,6-7,8):(2-1) | (3-4) | PRI TO SEC | |
| PD0865W | 4:1:1 | 24 | 1500 | |

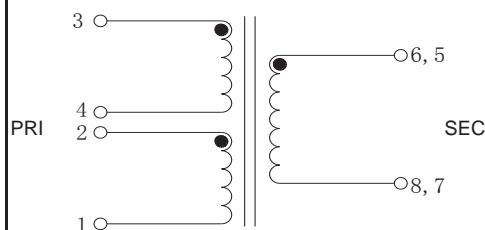
Additional Specifications

| P/N | LL @ 00KHz 0.1V ($\mu\text{H} \text{ MAX } $) | D.C.R (m Ω MAX) | | |
|---------|----------------------------------------------------|---------------------------|-------|-----------|
| | (3-4), (tie2+1,5+6+7+8) | (3-4) | (2-1) | (5,6-7,8) |
| PD0865W | 0.5 | 65.1 | 70.4 | 23 |

Dimensions (unit: inch/mm)



Schematics



Southern California Office:

15991 Red Hill Avenue, Suite #102
Tustin, California 92780 USA
Tel: +1-714-460-0718 Fax: +1-714-460-0728

Northern California Office:

500 Yosemite Drive
Milpitas, California 95035 USA
Tel: +1-408-855-8866 Fax: +1-408-855-8868

FLYBACK TRANSFORMERS

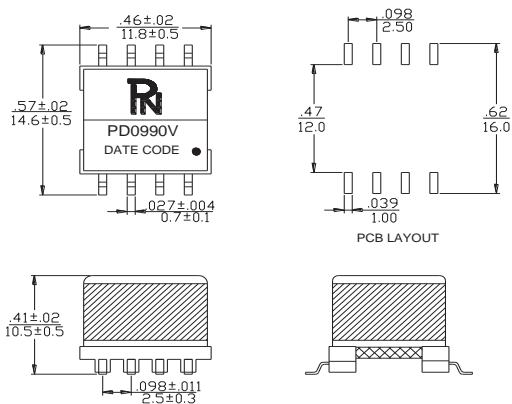
- Designed to meet UL 60950-1
- Ideally used as a POE Transformer
- Isolation 1500 Vrms
- Recommended solder profile: Reflow
- RoHS compliant
- Operating temperature range: -40°C TO +85°C



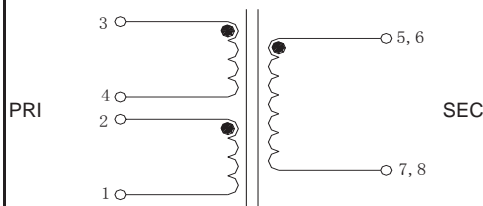
| Electrical Specifications @ 25°C | | | | |
|----------------------------------|-----------------------|------------------|-----------------------|------------|
| P/N | T/R | OCL@ 100KHz 0.1V | OCL@ 100KHz 0.1V 1.0A | Hi-pot |
| | (±1%) | (μH ±10%) | (μH MIN) | (Vrms) |
| | (2-1):(3-4):(5,6-7,8) | (3-4) | (3-4) | PRI TO SEC |
| PD0990V | 1:2:1 | 166.5 | 150 | 1500 |

| Additional Specifications | | | | |
|---------------------------|----------------------|-------|-------|-----------|
| P/N | LL @ 00KHz 0.1V | D.C.R | | |
| | (μH MAX) | (3-4) | (2-1) | (5,6-7,8) |
| | (2-1) ,(tie7+8+9+10) | | | |
| PD0990V | 2 | 0.76 | 1.1 | 0.11 |

Dimensions (unit: inch/mm)



Schematics



Southern California Office:

15991 Red Hill Avenue, Suite #102
Tustin, California 92780 USA
Tel: +1-714-460-0718 Fax: +1-714-460-0728

Northern California Office:

500 Yosemite Drive
Milpitas, California 95035 USA
Tel: +1-408-855-8866 Fax: +1-408-855-8868

<http://www.palnova.com>

FLYBACK TRANSFORMERS

- Designed to meet UL 60950-1
- Ideally used as a POE transformer
- Isolation 1500 Vrms
- Recommended solder profile: Reflow
- RoHS compliant
- Operating temperature range: -40°C TO +85°C



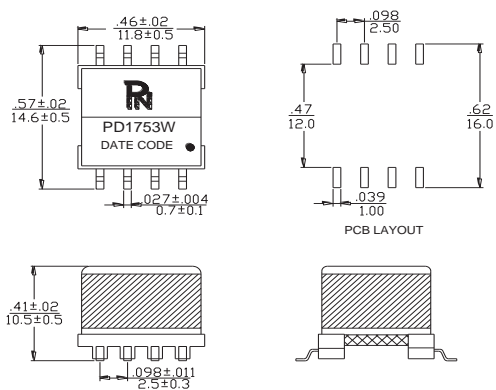
Electrical Specifications @ 25°C

| P/N | T/R (±1%) | OCL@ 100KHz 0.1V (μH ±10%) | LL @ 100KHz 0.1V (μH MAX) | Hi-pot (Vrms) |
|---------|-----------------|-------------------------------|-------------------------------|------------------|
| | (3-2):(5,6-7,8) | (3-2) | (3-2),(tie5+6+7+8) | PRI TO SEC |
| PD1753W | 1:1 | 40 | 1 | 1500 |

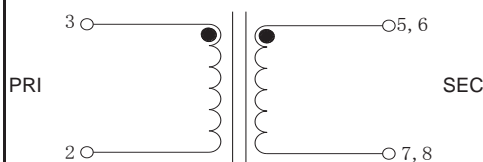
Additional Specifications

| P/N | D.C.R (mΩ MAX) | | IPK | VOLTAGE | POWER |
|---------|-------------------|-----------|-----|---------|-------|
| | (3-2) | (5,6-7,8) | PRI | INPUT: | OUT |
| PD1753W | 98 | 156 | 1.3 | 36V~72V | 10W |

Dimensions (unit: inch/mm)



Schematics



Southern California Office:

15991 Red Hill Avenue, Suite #102
Tustin, California 92780 USA
Tel: +1-714-460-0718 Fax: +1-714-460-0728

Northern California Office:

500 Yosemite Drive
Milpitas, California 95035 USA
Tel: +1-408-855-8866 Fax: +1-408-855-8868

<http://www.palnova.com>

FLYBACK TRANSFORMERS

- Designed to meet UL 60950-1
- Ideally used as a POE transformer
- Isolation 1500 Vrms
- Recommended solder profile: Reflow
- RoHS compliant
- Operating temperature range: -40°C TO +85°C



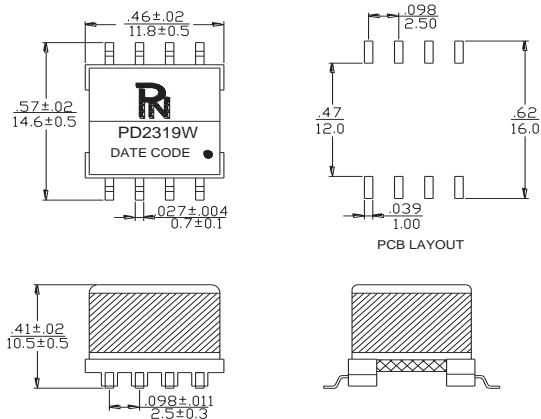
Electrical Specifications @ 25°C

| P/N | T/R (±1%) | OCL@ 100KHz 0.1V (μH ±10%) | Hi-pot (Vrms) | |
|---------|--------------|-------------------------------|------------------|------------|
| | | (6,7-9,10):(5-3):(2-1) | (5-3) | PRI TO SEC |
| PD2319W | 1:5:2.5 | 37 | 1500 | |

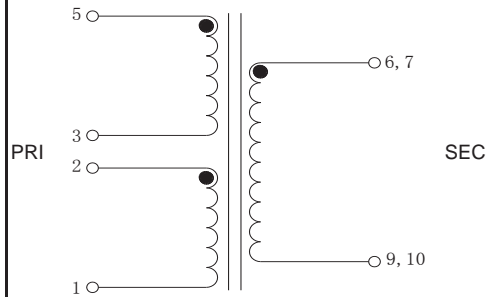
Additional Specifications

| P/N | LL@ 100KHz 0.25V (μH MAX) | D.C.R (mΩ MAX) | | |
|---------|-------------------------------|--------------------------|-------|-------|
| | | (5-3) ,(tie1+2+6+7+9+10) | (5-3) | (2-1) |
| PD2319W | 1 | 89 | 84 | 62 |

Dimensions (unit: inch/mm)



Schematics



Southern California Office:

15991 Red Hill Avenue, Suite #102
Tustin, California 92780 USA
Tel: +1-714-460-0718 Fax: +1-714-460-0728

Northern California Office:

500 Yosemite Drive
Milpitas, California 95035 USA
Tel: +1-408-855-8866 Fax: +1-408-855-8868

<http://www.palnova.com>

SWITCHING POWER TRANSFORMERS

- Designed to meet UL 60950-1
- Core material ferrite
- Isolation 1500 Vrms
- Recommended solder profile: Reflow
- RoHS compliant
- Operating temperature range: 0°C TO +85°C



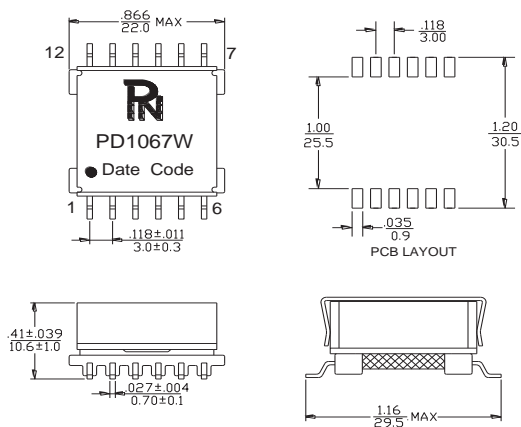
Electrical Specifications @ 25°C

| P/N | T/R (±2%) | OCL @ 100KHz 1.0V (μH ±5%) | LL @ 100KHz 1.0V (μH MAX) |
|---------|--------------|--------------------------------|------------------------------|
| | | (3-5):(2-1):(12,11-10,9):(8-7) | (3-5) |
| PD1067W | 44:20:9:20 | 100 | 2.05 |

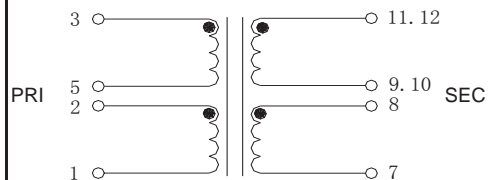
Additional Specifications

| P/N | D.C.R (Ω MAX) | | | | Hi-pot (Vrms) |
|---------|------------------|-------|-------|--------------|------------------|
| | (3-5) | (2-1) | (8-7) | (12,11-10,9) | PRI TO SEC |
| PD1067W | 0.76 | 1.1 | 0.15 | 0.101 | 1500 |

Dimensions (unit: inch/mm)



Schematics



Southern California Office:

15991 Red Hill Avenue, Suite #102
Tustin, California 92780 USA
Tel: +1-714-460-0718 Fax: +1-714-460-0728

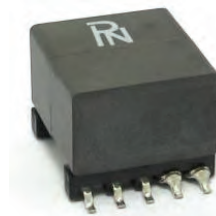
Northern California Office:

500 Yosemite Drive
Milpitas, California 95035 USA
Tel: +1-408-855-8866 Fax: +1-408-855-8868

<http://www.palnova.com>

FLYBACK TRANSFORMERS

- Designed to meet UL 60950-1
- Ideally used as a POE Transformer
- Isolation 1500 Vrms
- Recommended solder profile: Reflow
- RoHS compliant
- Operating temperature range: -40°C TO +85°C



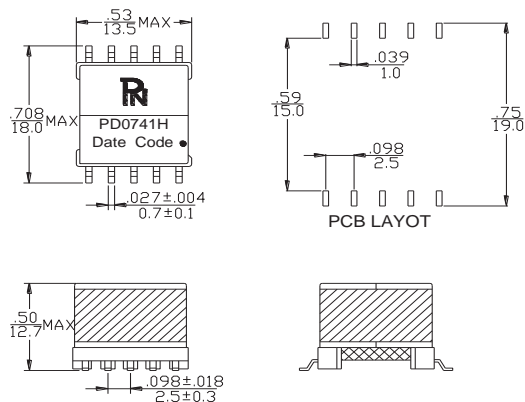
Electrical Specifications @ 25°C

| P/N | T/R (±1%) | OCL@ 10KHz 0.1V (μH ±10%) | LL@ 100KHz 0.1V (μH MAX) | Hi-pot (Vrms) |
|---------|--------------|------------------------------|------------------------------|-----------------------|
| | | (2-1):(7-9):(8-10) | (2-1) | (2-1), (tie 7+8+9+10) |
| PD0741H | 5:2:2 | 40 | 0.62 | 1500 |

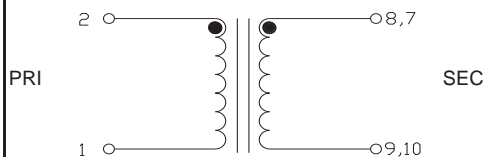
Additional Specifications

| P/N | D.C.R (mΩ MAX) | |
|---------|-------------------|-------|
| | | (2-1) |
| PD0741H | 108 | 40 |

Dimensions (unit: inch/mm)



Schematics



Southern California Office:

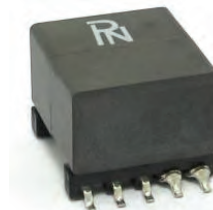
15991 Red Hill Avenue, Suite #102
Tustin, California 92780 USA
Tel: +1-714-460-0718 Fax: +1-714-460-0728

Northern California Office:

500 Yosemite Drive
Milpitas, California 95035 USA
Tel: +1-408-855-8866 Fax: +1-408-855-8868

FLYBACK TRANSFORMERS

- Designed to meet UL 60950-1
- Ideally used as a POE Transformer
- Isolation 1500 Vrms
- Recommended solder profile: Reflow
- RoHS compliant
- Operating temperature range: -40°C TO +85°C



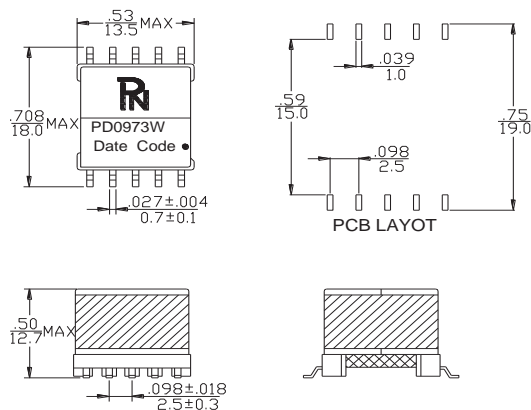
Electrical Specifications @ 25°C

| P/N | T/R (±1%) | OCL@ 100KHz 0.1V (μH ±10%) | LL@ 200KHz 0.1V (μH MAX) | Hi-pot (Vrms) |
|---------|--------------|-------------------------------|------------------------------|----------------------|
| | | (2-1):(7,8-9,10) | (2-1) | (2-1), (tie7+8+9+10) |
| PD0973W | 1:1 | 40 | 0.6 | 1500 |

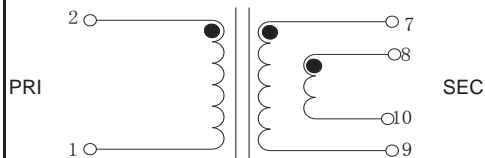
Additional Specifications

| P/N | D.C.R (mΩ MAX) | | IPK | VOLTAGE | POWER |
|---------|-------------------|-------|------------|---------|--------|
| | | (2-1) | (7,8-9,10) | PRI | INPUT: |
| PD0973W | 100 | 160 | 2 | 36V~57V | 15W |

Dimensions (unit: inch/mm)



Schematics



Southern California Office:

15991 Red Hill Avenue, Suite #102
Tustin, California 92780 USA
Tel: +1-714-460-0718 Fax: +1-714-460-0728

Northern California Office:

500 Yosemite Drive
Milpitas, California 95035 USA
Tel: +1-408-855-8866 Fax: +1-408-855-8868

<http://www.palnova.com>

FLYBACK TRANSFORMERS

- Designed to meet UL 60950-1
- Ideally used as a POE Transformer
- Isolation 1500 Vrms
- Recommended solder profile: Reflow
- RoHS compliant
- Operating temperature range: -40°C TO +85°C



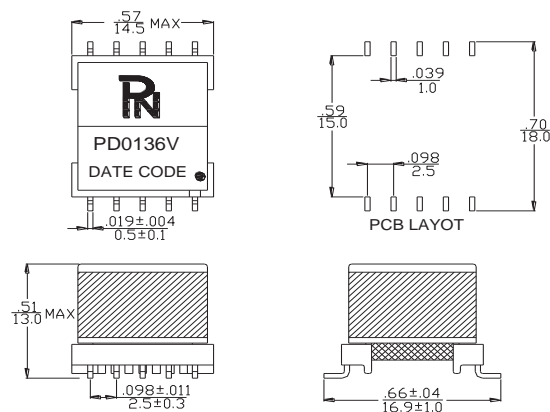
Electrical Specifications @ 25°C

| P/N | T/R (±3%) | OCL@ 100KHz 0.25V (μH ±10%) | LL@ 100KHz 0.1V (μH MAX) | Hi-pot (Vrms) |
|---------|------------------|--------------------------------|------------------------------|------------------|
| | (1-2):(7,8-9,10) | (1-2) | (2-1), (tie7+8+9+10) | PRI TO SEC |
| PD0136V | 5:2 | 40 | 1 | 1500 |

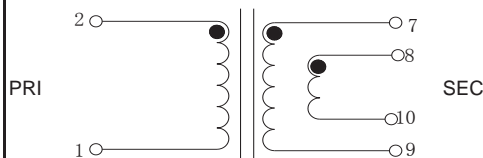
Additional Specifications

| P/N | D.C.R (mΩ MAX) | | IPK | VOLTAGE | POWER |
|---------|-------------------|------------|-----|---------|-------|
| | (2-1) | (7,8-9,10) | PRI | INPUT: | OUT |
| PD0136V | 108 | 40 | 2 | 36V~72V | 15W |

Dimensions (unit: inch/mm)



Schematics



Southern California Office:

15991 Red Hill Avenue, Suite #102
Tustin, California 92780 USA
Tel: +1-714-460-0718 Fax: +1-714-460-0728

Northern California Office:

500 Yosemite Drive
Milpitas, California 95035 USA
Tel: +1-408-855-8866 Fax: +1-408-855-8868

<http://www.palnova.com>

FLYBACK TRANSFORMERS

- Designed to meet UL 60950-1
- Ideally used as a POE transformer
- Isolation 1500 Vrms
- Recommended solder profile: Reflow
- RoHS compliant
- Operating temperature range: -40°C TO +85°C



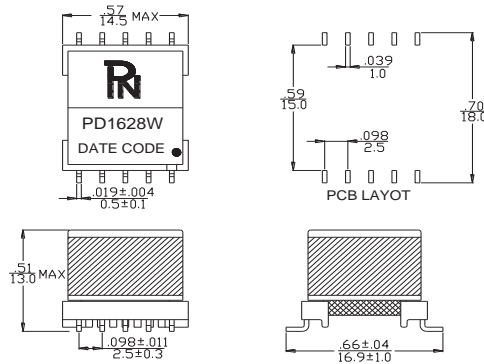
Electrical Specifications @ 25°C

| P/N | T/R (±1%) | OCL @ 100KHz 0.25V (μH ±10%) | LL @ 100KHz 0.1V (μH MAX) | Hi-pot (Vrms) |
|---------|--------------|---------------------------------|-------------------------------|-------------------------|
| | | (1-2):(4-5):(6,7-9,10) | (1-2) | (1-2),(tie4+5+6+7+9+10) |
| PD1628W | 1.8:1:1±1% | 100 | 0.875 | 1500 |

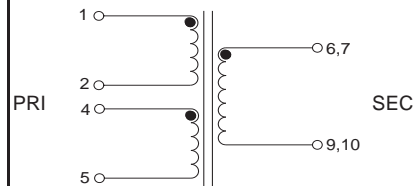
Additional Specifications

| P/N | D.C.R (mΩ MAX) | | |
|---------|-------------------|------------|-------|
| | (1-2) | (6,7-9,10) | (4-5) |
| PD1628W | 210 | 35 | 580 |

Dimensions (unit: inch/mm)



Schematics



Southern California Office:

15991 Red Hill Avenue, Suite #102
Tustin, California 92780 USA
Tel: +1-714-460-0718 Fax: +1-714-460-0728

Northern California Office:

500 Yosemite Drive
Milpitas, California 95035 USA
Tel: +1-408-855-8866 Fax: +1-408-855-8868

<http://www.palnova.com>

FLYBACK TRANSFORMERS

- Designed to meet UL 60950-1
- Ideally used as a POE Transformer
- Isolation 1500 Vrms
- Recommended solder profile: Reflow
- RoHS compliant
- Operating temperature range: -40°C TO +85°C



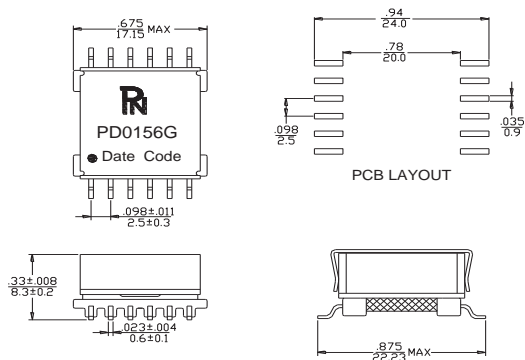
Electrical Specifications @ 25°C

| P/N | T/R (±2%) | OCL@ 10KHz 0.1V (μH ±10%) | LL@ 10KHz 0.1V (μH MAX) | Hi-pot (Vrms) |
|---------|--------------|--------------------------------|-----------------------------|-------------------------------|
| | | (3-5):(2-1):(8-7):(12,11-10,9) | (3-5) | (3-5) (tie1+2+7+8+9+10+11+12) |
| PD0156G | 6:4:2:3 | 45 | 3 | 1500 |

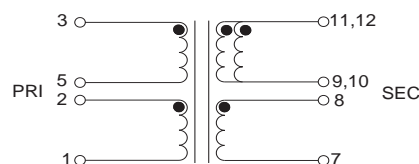
Additional Specifications

| P/N | D.C.R (mΩ MAX) | | | |
|---------|-------------------|-------|-------|--------------|
| | (3-5) | (2-1) | (8-7) | (12,11-10,9) |
| PD0156G | 190 | 1000 | 650 | 50 |

Dimensions (unit: inch/mm)



Schematics



Southern California Office:

15991 Red Hill Avenue, Suite #102
Tustin, California 92780 USA
Tel: +1-714-460-0718 Fax: +1-714-460-0728

Northern California Office:

500 Yosemite Drive
Milpitas, California 95035 USA
Tel: +1-408-855-8866 Fax: +1-408-855-8868

<http://www.palnova.com>

| Coupling Transformers | |
|-----------------------|--------------------|
| PP0155Q | 10.0 X 13.5 X 14.5 |
| PP0755P | 10.0 X 13.5 X 14.5 |
| PP0130G | 10.0 X 13.5 X 14.5 |
| PP0592Q | 10.0 X 13.5 X 17.0 |
| PP0999P | 10.0 X 13.5 X 17.0 |
| PP1183Q | 15.0 X 14.0 X 15.0 |
| PP2303Q | 9.5 X 9.5 X 14.0 |
| | |
| | |
| | |
| | |
| | |
| | |
| | |

Southern California Office:
15991 Red Hill Avenue, Suite #102
Tustin, California 92780 USA
Tel: +1-714-460-0718 Fax: +1-714-460-0728

Northern California Office:
500 Yosemite Drive
Milpitas, California 95035 USA
Tel: +1-408-855-8866 Fax: +1-408-855-8868

<http://www.palnova.com>

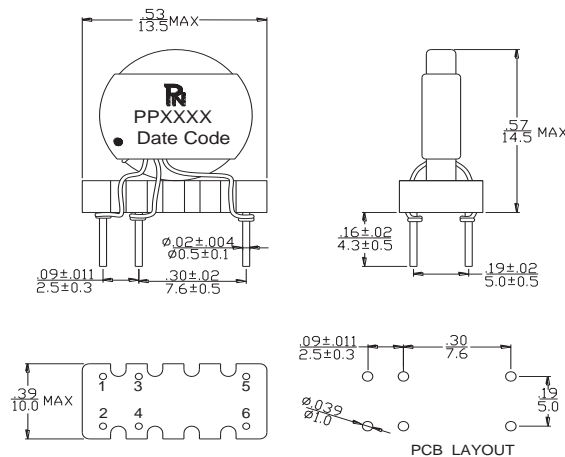
COUPLING TRANSFORMER

- Designed to meet UL 60950-1
- Core material ferrite
- Isolation 3000 Vrms
- Recommended solder profile: Wave soldering
- RoHS compliant
- Operating temperature range: 0°C TO +70°C

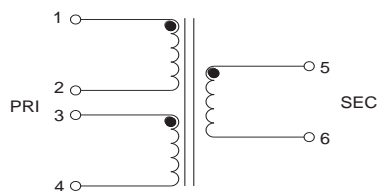


| Electrical Specifications @ 25°C | | | | | | |
|----------------------------------|-----------------------|-----------------|----------|-------|-------|------------|
| P/N | T/R | OCL@100KHz 0.1V | D.C.R | | | Hi-pot |
| | (±2%) | (μH) | (mΩ MAX) | | | (Vrms) |
| | (1-2) : (3-4) : (5-6) | (5-6) | (1-2) | (3-4) | (5-6) | PRI TO SEC |
| PP0155Q | 1 : 1 : 1 | 13 | 30 | 30 | 30 | 3000 |
| PP0755P | 1 : 1 : 1 | 13 | 30 | 30 | 30 | 3600 |
| PP0130G | 1 : 1 : 1 | 8 ~15 | 25 | 25 | 28 | 3000 |

Dimensions (unit: inch/mm)



Schematics



Southern California Office:

15991 Red Hill Avenue, Suite #102
 Tustin, California 92780 USA
 Tel: +1-714-460-0718 Fax: +1-714-460-0728

Northern California Office:

500 Yosemite Drive
 Milpitas, California 95035 USA
 Tel: +1-408-855-8866 Fax: +1-408-855-8868

<http://www.palnova.com>

COUPLING TRANSFORMER

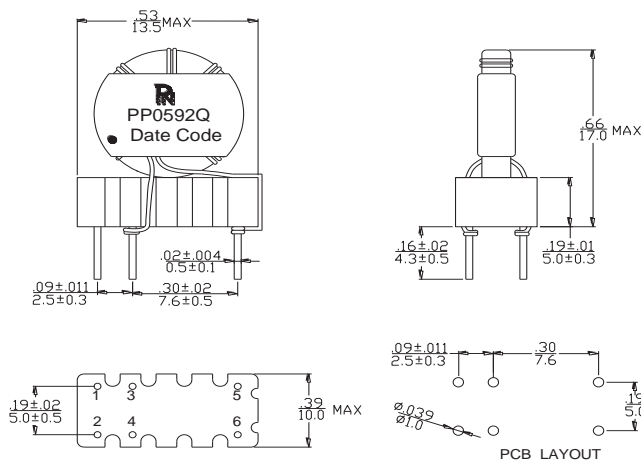
- Designed to meet UL 60950-1
- Core material ferrite
- Isolation 3000 Vrms
- Recommended solder profile: Wave soldering
- RoHS compliant
- Operating temperature range: 0°C TO +70°C



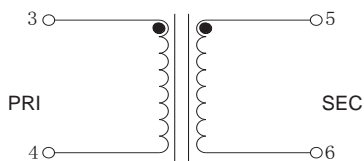
Electrical Specifications @ 25°C

| P/N | T/R | OCL@100KHz 0.1V | D.C.R | | Hi-pot |
|---------|-------------|-----------------|----------|-------|------------|
| | (±2%) | (μH MIN) | (mΩ MAX) | | (Vrms) |
| | (3-4):(5-6) | (3-4)=(5-6) | (3-4) | (5-6) | PRI TO SEC |
| PP0592Q | 1:1 | 7.5 | 55 | 55 | 3000 |

Dimensions (unit: inch/mm)



Schematics



Southern California Office:

15991 Red Hill Avenue, Suite #102
Tustin, California 92780 USA
Tel: +1-714-460-0718 Fax: +1-714-460-0728

Northern California Office:

500 Yosemite Drive
Milpitas, California 95035 USA
Tel: +1-408-855-8866 Fax: +1-408-855-8868

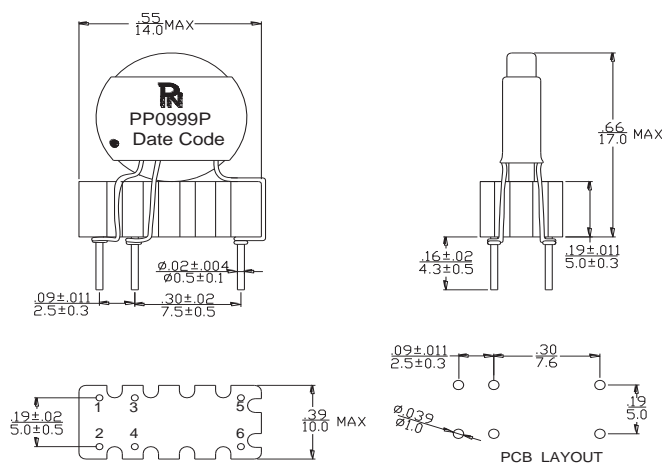
COUPLING TRANSFORMER

- Designed to meet UL 60950-1
- Core material ferrite
- Isolation 3000 Vrms
- Recommended solder profile: Wave soldering
- RoHS compliant
- Operating temperature range: 0°C TO +70°C

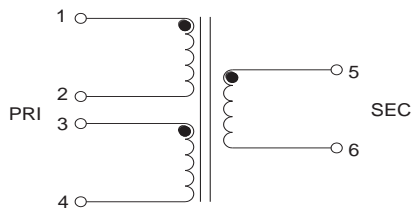


| Electrical Specifications @ 25°C | | | | | | |
|----------------------------------|-------------------|----------------|----------|-------|-------|------------|
| P/N | T/R | OCL@10KHz 0.1V | D.C.R | | | Hi-pot |
| | (±2%) | (μH) | (mΩ MAX) | | | (Vrms) |
| | (1-2):(5-6):(3-4) | (5-6) | (1-2) | (3-4) | (5-6) | PRI TO SEC |
| PP0999P | 3:3:1 | 7 | 300 | 120 | 350 | 3000 |

Dimensions (unit: inch/mm)



Schematics



Southern California Office:

15991 Red Hill Avenue, Suite #102
Tustin, California 92780 USA
Tel: +1-714-460-0718 Fax: +1-714-460-0728

Northern California Office:

500 Yosemite Drive
Milpitas, California 95035 USA
Tel: +1-408-855-8866 Fax: +1-408-855-8868

<http://www.palnova.com>

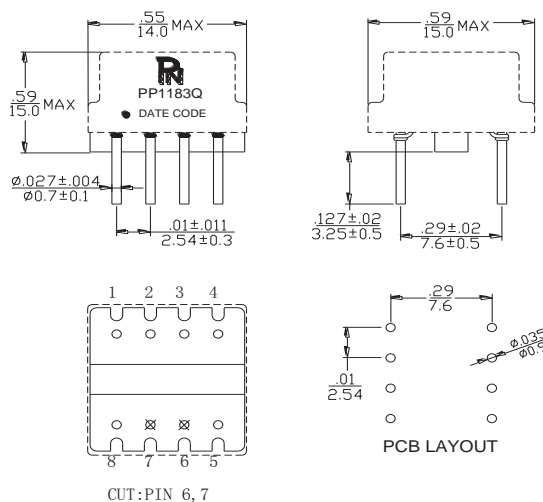
COUPLING TRANSFORMER

- Designed to meet UL 60950-1
- Core material ferrite
- Isolation 3000 Vrms
- Recommended solder profile: Wave soldering
- RoHS compliant
- Operating temperature range: 0°C TO +70°C

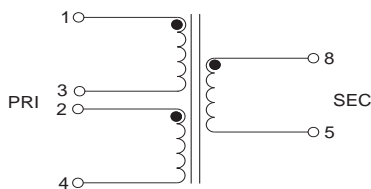


| Electrical Specifications @ 25°C | | | |
|----------------------------------|-------------------|----------------------------|------------------|
| P/N | T/R (±2%) | OCL@10KHz 0.1V (µH MIN) | Hi-pot (Vrms) |
| | (1-3):(2-4):(8-5) | (8-5) | PRI TO SEC |
| PP1183Q | 1:2:2 | 20 | 3000 |

Dimensions (unit: inch/mm)



Schematics



Southern California Office:

15991 Red Hill Avenue, Suite #102
Tustin, California 92780 USA
Tel: +1-714-460-0718 Fax: +1-714-460-0728

Northern California Office:

500 Yosemite Drive
Milpitas, California 95035 USA
Tel: +1-408-855-8866 Fax: +1-408-855-8868

<http://www.palnova.com>

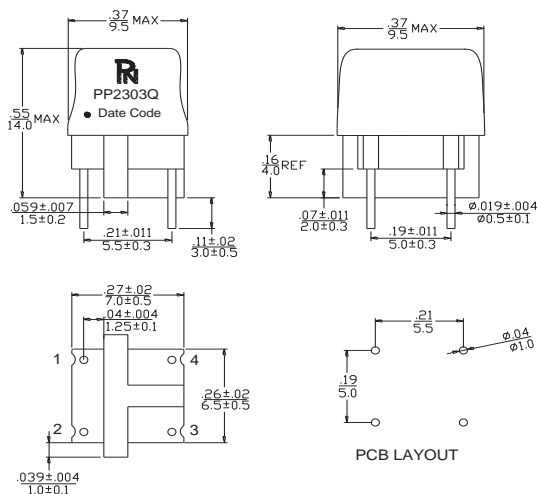
COUPLING TRANSFORMER

- Designed to meet UL 60950-1
- Core material ferrite
- Isolation 3000 Vrms
- Recommended solder profile: Wave soldering
- RoHS compliant
- Operating temperature range: 0°C TO +70°C

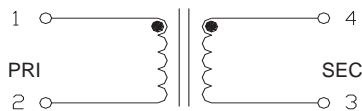


| Electrical Specifications @ 25°C | | | | | |
|----------------------------------|-------------|-----------------|----------|-------|------------|
| P/N | T/R | OCL@100KHz 0.1V | D.C.R | | Hi-pot |
| | (±2%) | (μH MIN) | (mΩ MAX) | | (Vrms) |
| | (1-2):(4-3) | (1-2)=(3-4) | (1-2) | (3-4) | PRI TO SEC |
| PP2303Q | 1:1 | 8 | 65 | 65 | 3000 |

Dimensions (unit: inch/mm)



Schematics



Southern California Office:

15991 Red Hill Avenue, Suite #102
Tustin, California 92780 USA
Tel: +1-714-460-0718 Fax: +1-714-460-0728

Northern California Office:

500 Yosemite Drive
Milpitas, California 95035 USA
Tel: +1-408-855-8866 Fax: +1-408-855-8868



| RF Transformers | |
|-----------------|-----|
| PTR1139G | N/A |
| PTR3252 | N/A |
| | |
| | |
| | |
| | |
| | |
| | |
| | |
| | |
| | |
| | |
| | |
| | |
| | |
| | |

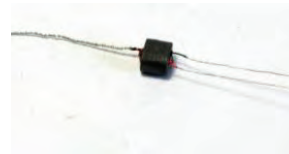
Southern California Office:
15991 Red Hill Avenue, Suite #102
Tustin, California 92780 USA
Tel: +1-714-460-0718 Fax: +1-714-460-0728

Northern California Office:
500 Yosemite Drive
Milpitas, California 95035 USA
Tel: +1-408-855-8866 Fax: +1-408-855-8868

<http://www.palnova.com>

RF TRANSFORMER

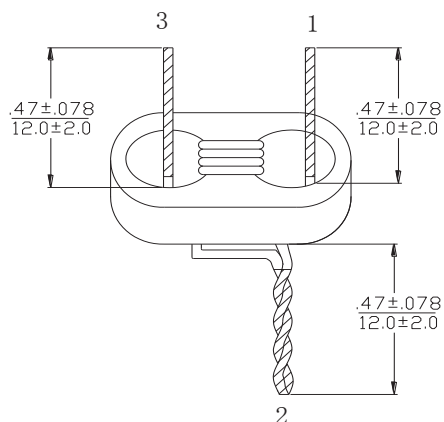
- Value-oriented construction
- For wideband RF applications
- Excellent insertion loss
- Recommended solder profile: Wave soldering
- RoHS compliant
- Operating temperature range: 0°C TO +70°C



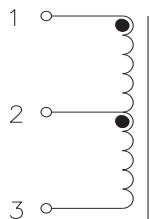
Electrical Specifications @ 25°C

| P/N | OCL @200KHz 1.0V (μH) | | |
|----------|--------------------------|--------|---------|
| | (1-2) | (2-3) | (1-3) |
| PTR1139G | 34~44 | 96~140 | 245~310 |

Dimensions (unit: inch/mm)



Schematics



Southern California Office:

15991 Red Hill Avenue, Suite #102
Tustin, California 92780 USA
Tel: +1-714-460-0718 Fax: +1-714-460-0728

Northern California Office:

500 Yosemite Drive
Milpitas, California 95035 USA
Tel: +1-408-855-8866 Fax: +1-408-855-8868

<http://www.palnova.com>

RF TRANSFORMER

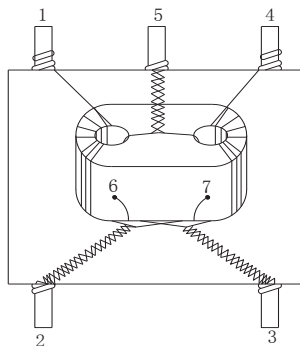
- Value-oriented construction
- For wideband RF applications
- Excellent insertion loss
- Recommended solder profile:Reflow
- RoHS compliant
- Operating temperature range: 0°C TO +70°C



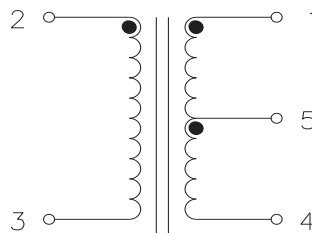
Electrical Specifications @ 25°C

| P/N | OCL @200KHz 1.0V (μH) | |
|---------|--------------------------|-------------|
| PTR3252 | (1-5)=(4-5) | (1-2)=(3-4) |
| | 3-6 | 0.05-0.15 |

Dimensions (unit: inch/mm)



Schematics



Southern California Office:

15991 Red Hill Avenue, Suite #102
Tustin, California 92780 USA
Tel: +1-714-460-0718 Fax: +1-714-460-0728

Northern California Office:

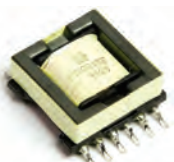
500 Yosemite Drive
Milpitas, California 95035 USA
Tel: +1-408-855-8866 Fax: +1-408-855-8868

<http://www.palnova.com>



For more information regarding samples please visit www.palpilot.com

PALNOVA



NORTHERN CALIFORNIA

500 Yosemite Drive
Milpitas, CA 95035
+1 408 855 8866

SOUTHERN CALIFORNIA

15991 Red Hill Ave, Suite 102
Tustin, CA 92780
+1 714 460 0718

CHINA

Rooms M207-8 Haleson Building
1 Jubilee Street, Central, Hong Kong
+852 94535755

TAIWAN

4th Floor No. 1, Section 1, Dunhua S. Road
Songshan District, Taipei City 10557
+886 913 307 880

magnetics@palpilot.com

www.PalPilot.com | www.PalNova.com

©PalPilot International Corporation. All rights reserved.