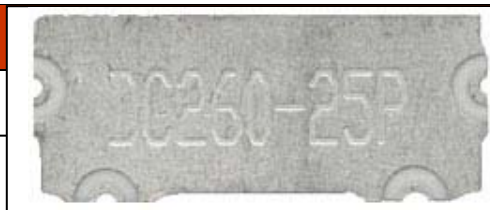
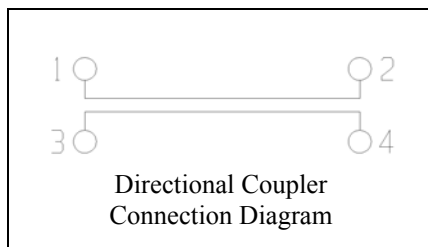


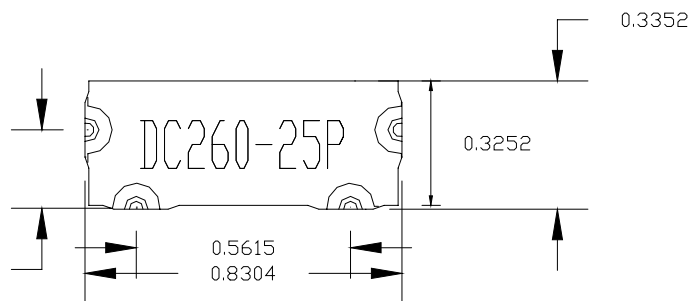
## DC260-25P DIRECTIONAL COUPLER

### Features:

- Lowest Loss and VSWR
- Custom Designs Available
- Surface Mounted
- Low Cost
- Available on Tape and Reel



### Outline Drawing



All dimensions in inches

### Electrical Specifications:

Frequency Range: 2300 to 2900 MHz

Insertion Loss: 0.25 dB max.

Coupling (nom.): 25

VSWR: 1.2:1

Power Handling: 100 Watts CW

Directivity (typ.): 21 dB

### Mechanical Specifications:

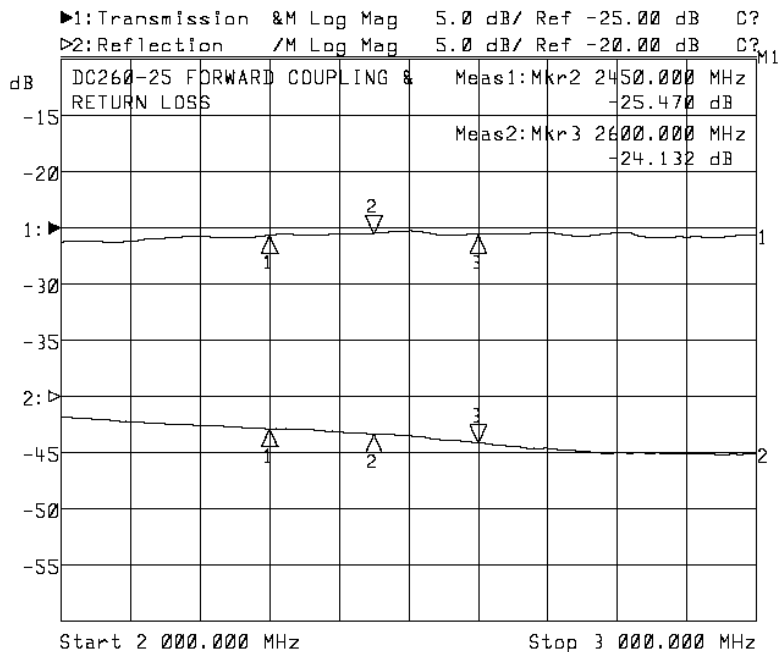
Dimensions: 0.340" x 0.835"

Case Style: F

Mounting: Surface

### Environmental Specifications:

Operating Temperature: -55°C to +90°C



1: Mkr (MHz)	dB	2: Mkr (MHz)	dB
1: 2300.00	-25.645	1: 2300.00	-22.901
2: 2450.00	-25.470	2: 2450.00	-23.345
3: 2600.00	-25.568	3: 2600.00	-24.132