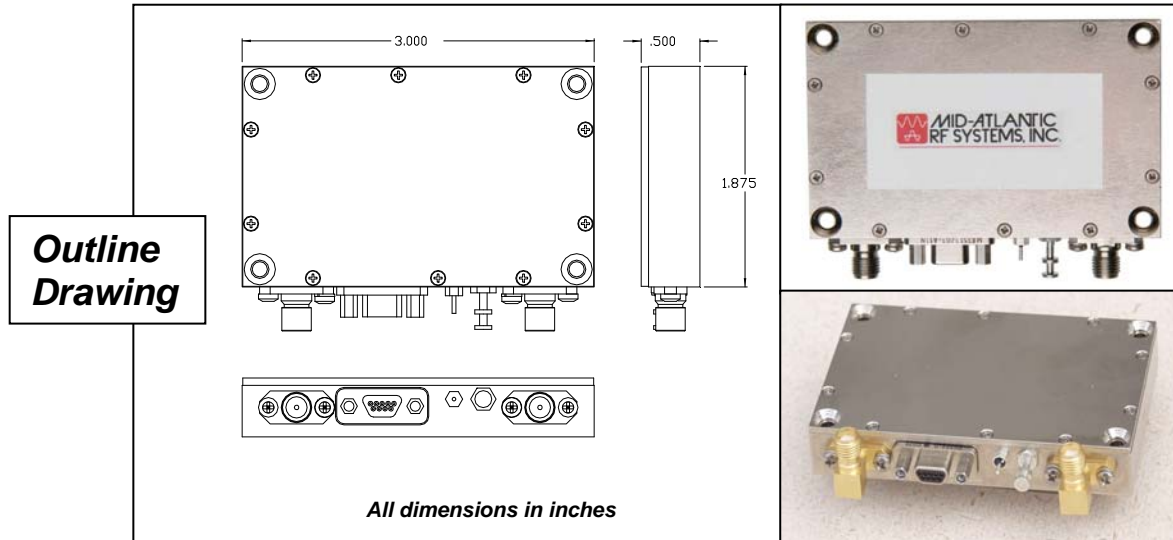


## CUSTOM +48V POWER AMPLIFIER MODULES



### Overview

Mid Atlantic RF Systems, Inc. offers +48V power amplifier modules customized for applications in bands within the frequency range of 150-2400MHz (L Band).

### Product Features

Forward and reverse power detectors  
Temperature monitor  
Mute/standby mode  
Other customer required features\*

\* Modifications to these features and/or specifications may require a package size modification

Upon completion of customer defined requirements a part number shall be assigned.

### Electrical Specifications:

<b>Design Frequency Range:</b>	Bands within 150-2400MHz frequency range
<b>Gain:</b>	Up to +40dB (higher gains can be accommodated*)
<b>Gain Flatness:</b>	+/-1dB MAX
<b>Noise Figure:</b>	As low as 6dB
<b>P1dB Output:</b>	Up to 10W (higher output power levels can be accommodated*)
<b>OIP3 Typical:</b>	P1dB + 10dB (higher OIP3's can be accommodated*)
<b>VSWR / Return Loss:</b>	2.0:1 / -9.5dB
<b>DC Power:</b>	Voltage: +48V Current: up to 700mA (higher current can be accommodated*)

### Mechanical Specifications:

<b>Dimensions:</b>	3.00" x 1.875" x 0.500" without connectors (other connectors can be accommodated*)
<b>Connectors:</b>	RF: 2x SMA(f), Power/Control: 9p Micro-D (other connectors can be accommodated*)

### Environmental Specifications:

<b>Operating Temperature:</b>	0°C to +55°C
<b>Storage and Transport:</b>	-40°C to +55°C