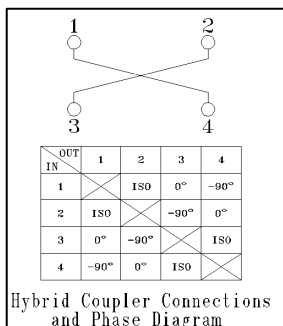


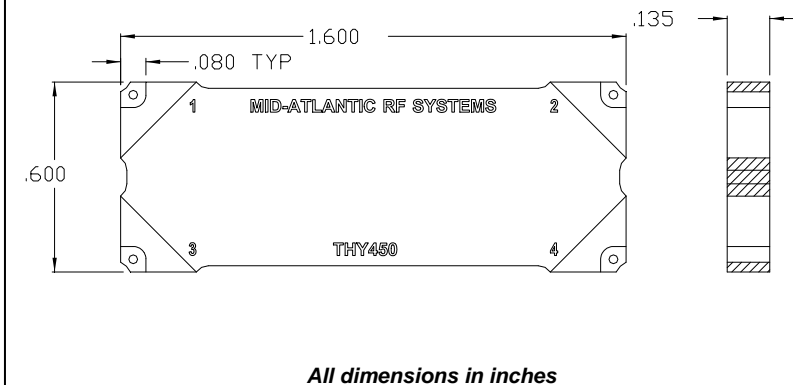
THY450 HYBRID COUPLER

Features:

- Small Size
- Custom Designs Available
- Surface Mounted
- Low Cost
- Available on Tape and Reel



Outline Drawing



Electrical Specifications:

Frequency Range: 400 to 450 MHz

Insertion Loss: 0.25 dB max.

Amplitude Balance: +/- 0.25 dB

Phase Balance: 1 degree

VSWR: 1.2:1

Power Handling: 2700 W Peak,
6.5% DC max

Isolation: 22 dB

Mechanical Specifications:

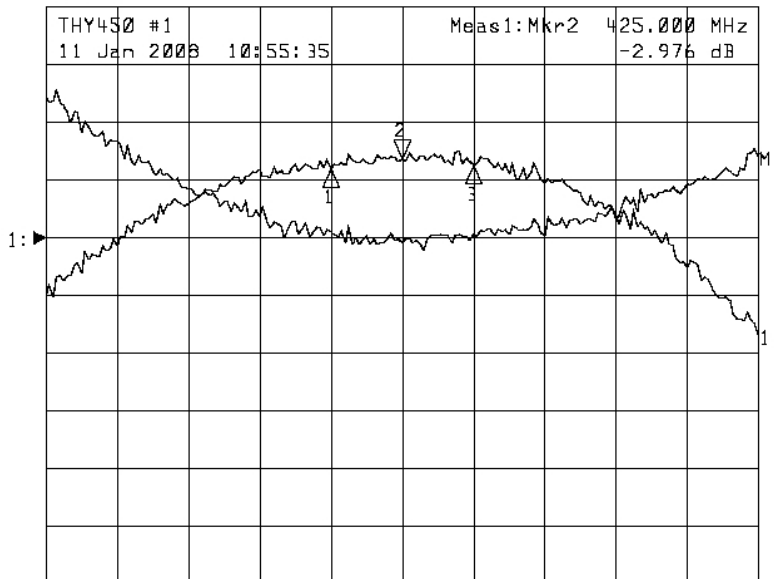
Dimensions: 1.600" x 0.600" x 0.135"

Mounting: Surface

Environmental Specifications:

Operating Temperature: -55°C to +90°C

►1: Transmission & M Log Mag 0.2 dB/ Ref -3.25 dB C
►2: Off



Start 300.000 MHz

Stop 550.000 MHz

1: Mkr (MHz)	dB	2: Mkr (MHz)	dB
1: 400.00	-3.009		
2: 425.00	-2.976		
3: 450.00	-2.998		