



## ORIGA SYSTEM PLUS Pneumatic Linear Drives

BASIC GUIDE - “The Compact Guide“

aerospace  
climate control  
electromechanical  
filtration  
fluid & gas handling  
hydraulics  
**pneumatics**  
process control  
sealing & shielding




ENGINEERING YOUR SUCCESS.

# Pneumatic Linear Drives

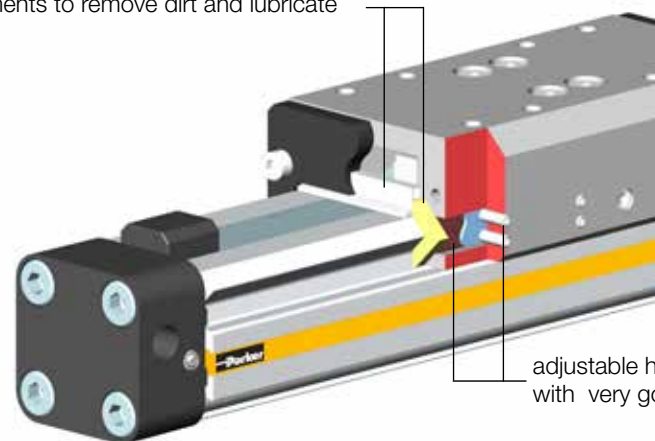
BG 25, BG 3

## Features

- compact: guide rail integrated in the cylinder profile
- long lifetime and high service intervals
- high loads and moments
- smooth operation
- integrated scraper system
- integrated grease nipples
- easy to (re-) adjust  
simple design => easy to maintain
- piston diameters 25, 32, 40 and 50 mm
- stroke length up to 6,000 mm
- for use in potentially explosive  atmospheres in Equipment Group II, Category 2 GD



composite sealing system with high-tech polymer and felt wiper elements to remove dirt and lubricate the sideways



aluminium guide carriage

integrated grease nipples for easy re-lubrication

T-slot for T-slot switches

dove-tail groove (for T-slot switches with adapter)

## Options:

- stainless steel version
- VITON seals
- slow running version for stick-slip free operation
- integrated 3/2Way Valves VOE



# OSPP BASIC GUIDE BG

32, BG 40, BG 50 mm



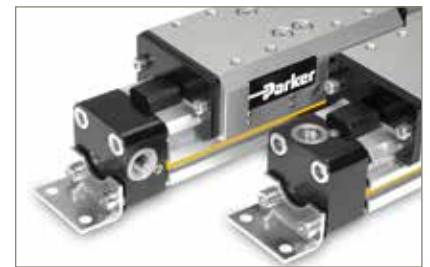
## Compact Guide Carriage

- high loads and moments
- simple to (re-)adjust
- adjustable sliding elements: re-adjustment without inclination of the guide carriage



## Flexible Air Connection

- 4 x 90° rotatable end caps
- air connection can be selected independently from each other
- option: both air connections at one end
- option: air connection on the end face



high-tech polymer slide elements  
good abrasion resistance

## Integrated 3/2 Way Valves VOE

- complete compact solution
- energy saving
- excellent positioning characteristics
- high piston velocities can be achieved with max. 3 exhaust ports
- integrated operation indicator
- integrated exhaust throttle valve
- manual override - indexed
- free choice of air connection with 4 x 90° rotating VOE-valves



adjustable high-tech polymer slide elements  
with very good abrasion resistance

## Accessories

- 5 mm T-slot magnetic switches can be fitted directly to the profile tube without projecting edges
- end cap mountings
- mid section supports



pressure plate

adjustment screws

T-slot for T-slot switches



# Parker Worldwide

## Europe, Middle East, Africa

### **AE – United Arab Emirates,**

Dubai  
Tel: +971 4 8127100  
parker.me@parker.com

### **AT – Austria,** Wiener Neustadt

Tel: +43 (0)2622 23501-0  
parker.austria@parker.com

### **AT – Eastern Europe,** Wiener Neustadt

Tel: +43 (0)2622 23501 900  
parker.easteurope@parker.com

### **AZ – Azerbaijan,** Baku

Tel: +994 50 2233 458  
parker.azerbaijan@parker.com

### **BE/LU – Belgium,** Nivelles

Tel: +32 (0)67 280 900  
parker.belgium@parker.com

### **BY – Belarus,** Minsk

Tel: +375 17 209 9399  
parker.belarus@parker.com

### **CH – Switzerland,** Etoy

Tel: +41 (0)21 821 87 00  
parker.switzerland@parker.com

### **CZ – Czech Republic,** Klecany

Tel: +420 284 083 111  
parker.czechrepublic@parker.com

### **DE – Germany,** Kaarst

Tel: +49 (0)2131 4016 0  
parker.germany@parker.com

### **DK – Denmark,** Ballerup

Tel: +45 43 56 04 00  
parker.denmark@parker.com

### **ES – Spain,** Madrid

Tel: +34 902 330 001  
parker.spain@parker.com

### **FI – Finland,** Vantaa

Tel: +358 (0)20 753 2500  
parker.finland@parker.com

### **FR – France,** Contamine s/Arve

Tel: +33 (0)4 50 25 80 25  
parker.france@parker.com

### **GR – Greece,** Athens

Tel: +30 210 933 6450  
parker.greece@parker.com

### **HU – Hungary,** Budapest

Tel: +36 1 220 4155  
parker.hungary@parker.com

### **IE – Ireland,** Dublin

Tel: +353 (0)1 466 6370  
parker.ireland@parker.com

### **IT – Italy,** Corsico (MI)

Tel: +39 02 45 19 21  
parker.italy@parker.com

### **KZ – Kazakhstan,** Almaty

Tel: +7 7272 505 800  
parker.easteurope@parker.com

### **NL – The Netherlands,** Oldenzaal

Tel: +31 (0)541 585 000  
parker.nl@parker.com

### **NO – Norway,** Asker

Tel: +47 66 75 34 00  
parker.norway@parker.com

### **PL – Poland,** Warsaw

Tel: +48 (0)22 573 24 00  
parker.poland@parker.com

### **PT – Portugal,** Leca da Palmeira

Tel: +351 22 999 7360  
parker.portugal@parker.com

### **RO – Romania,** Bucharest

Tel: +40 21 252 1382  
parker.romania@parker.com

### **RU – Russia,** Moscow

Tel: +7 495 645-2156  
parker.russia@parker.com

### **SE – Sweden,** Spånga

Tel: +46 (0)8 59 79 50 00  
parker.sweden@parker.com

### **SK – Slovakia,** Banská Bystrica

Tel: +421 484 162 252  
parker.slovakia@parker.com

### **SL – Slovenia,** Novo Mesto

Tel: +386 7 337 6650  
parker.slovenia@parker.com

### **TR – Turkey,** Istanbul

Tel: +90 216 4997081  
parker.turkey@parker.com

### **UA – Ukraine,** Kiev

Tel: +380 44 494 2731  
parker.ukraine@parker.com

### **UK – United Kingdom,** Warwick

Tel: +44 (0)1926 317 878  
parker.uk@parker.com

### **ZA – South Africa,** Kempton Park

Tel: +27 (0)11 961 0700  
parker.southafrica@parker.com

## North America

### **CA – Canada,** Milton, Ontario

Tel: +1 905 693 3000

### **US – USA,** Cleveland

Tel: +1 216 896 3000

## Asia Pacific

### **AU – Australia,** Castle Hill

Tel: +61 (0)2-9634 7777

### **CN – China,** Shanghai

Tel: +86 21 2899 5000

### **HK – Hong Kong**

Tel: +852 2428 8008

### **IN – India,** Mumbai

Tel: +91 22 6513 7081-85

### **JP – Japan,** Tokyo

Tel: +81 (0)3 6408 3901

### **KR – South Korea,** Seoul

Tel: +82 2 559 0400

### **MY – Malaysia,** Shah Alam

Tel: +60 3 7849 0800

### **NZ – New Zealand,** Mt Wellington

Tel: +64 9 574 1744

### **SG – Singapore**

Tel: +65 6887 6300

### **TH – Thailand,** Bangkok

Tel: +662 186 7000-99

### **TW – Taiwan,** Taipei

Tel: +886 2 2298 8987

## South America

### **AR – Argentina,** Buenos Aires

Tel: +54 3327 44 4129

### **BR – Brazil,** Sao Jose dos Campos

Tel: +55 800 727 5374

### **CL – Chile,** Santiago

Tel: +56 2 623 1216

### **MX – Mexico,** Apodaca

Tel: +52 81 8156 6000

