



CHAPTER 5 DISCONNECT



STAINLESS STEEL SEQUESTER EXTERNAL DISCONNECT PACKAGE, TYPE 4X

This package helps mitigate arc flash occurrences when working on interior components by isolating incoming power from the main enclosure. Manufactured from 304 stainless steel, it provides protection from non-corrosive or mildly corrosive elements in both indoor and outdoor environments. A package includes a main enclosure and a SEQUESTER box. SEQUESTER boxes can be ordered separately to retrofit existing enclosures. The disconnect switch and fuse block/circuit breaker are mounted in the external enclosures, with terminal connections to bring power to the main enclosure.



CONCEPT DISCONNECT ENCLOSURE, TYPE 4X

Use CONCEPT Disconnect Enclosures in applications that require stylized design features and a preferred cutout for the disconnect switch or circuit breaker. Accepts major brand disconnect switches and circuit breakers and is supplied with a Hoffman-integrated tool-to-open handle.

Furnished with Enclosures:

- Door interlock bracket welded to door
- Door latching system (2-point or 3-point) installed on door
- Instructions to locate and install disconnect
- Hardware kit consisting of padlocking door handle, panel mounting nuts, grounding hardware and sealing washers for mounting holes



FIBERGLASS DISCONNECT, TYPE 4X

For effective and economical disconnect protection in the harshest corrosive environments, these enclosures provide secure door closure through the use of Type 304 stainless steel slotted quarter-turn latches.

CHAPTER CONTENTS

WALL-MOUNT PREFERRED-CUTOUT DISCONNECTS

WALL-MOUNT PREFERRED-CUTOUT OVERVIEW

Preferred-Cutout Overview	328
---------------------------	-----

PREFERRED CUTOUT, DISCONNECTS, TYPE 12

Wall-Mount Disconnect Enclosure With Handle, Type 12	329
Disconnect Mounting Space	332
POWERGLIDE Defeater Handle Kit	333

CONCEPT WALL-MOUNT DISCONNECTS

CONCEPT Disconnect Enclosure, Type 4	334
CONCEPT Disconnect Enclosure, Type 4X	336
CONCEPT with Quarter-Turn Latches Disconnect Enclosure, Type 4X	338
Disconnect Mounting Space	339

TYPE 4 AND 12 WALL-MOUNT DISCONNECTS

Wall-Mount Disconnect Enclosure with Clamps, Type 4	340
Wall-Mount Disconnect Enclosure with Clamps, Type 4X	342
Disconnect Mounting Space	343

FIBERGLASS DISCONNECTS

Fiberglass Disconnect, Type 4X	344
Disconnect Mounting Space	347

LOW-PROFILE TYPE 12 DISCONNECTS AND ACCESSORIES

Low-Profile Wall-Mount and Free-Stand Disconnect Enclosure, Type 12	348
Disconnect Mounting Space	355
Panels for A26 Low-Profile Type 12 Disconnect Enclosures	355

HOFFMAN WATERSHED WALL-MOUNT DISCONNECTS

WATERSHED Disconnect Enclosure, Type 4X	356
Disconnect Mounting Space	357
Mounting Bracket Kit	358
Stand-Off Kit	358
Padlocking Handle Kit	358
Padlocking Latch Kit	358

WALL-MOUNT FIXED-DEPTH ALLEN-BRADLEY DISCONNECTS

WALL-MOUNT FIXED-DEPTH AB CUTOUT OVERVIEW

Fixed-Depth Allen-Bradley Cutout Overview	360
---	-----

TYPE 12, 13 FIXED-DEPTH AB DISCONNECTS

Allen-Bradley 1494 Cutout Disconnect Enclosure, Type 12	361
Disconnect Mounting Space	363

FREE-STAND PREFERRED-CUTOUT DISCONNECTS

FREE-STAND PREFERRED-CUTOUT DISCONNECT OVERVIEW

Preferred-Cutout Overview	364
---------------------------	-----

FREE-STAND DISCONNECTS AND ACCESSORIES

Free-Stand Disconnect Enclosure, Type 1	365
Disconnect Mounting Space	368
Gasket Kits	368

PROLINE-DD MODULAR ENCLOSURES AND ACCESSORIES

PROLINE-DD Disconnect Enclosure, Type 12	369
Disconnect Mounting Space	371
PROLINE-DD Modular Subpanel	371
PROLINE-DD Modular 100-mm Bases	371

FREE-STAND STAINLESS STEEL PREFERRED-CUTOUT DISCONNECTS

PREFERRED-CUTOUT STAINLESS STEEL OVERVIEW

Preferred-Cutout Overview	372
---------------------------	-----

STAINLESS STEEL TWO-DOOR DISCONNECTS

Two-Door Stainless Steel Flange-Mounted Disconnects, Type 4X	373
Disconnect Mounting Space	376

STAINLESS STEEL GENERAL PURPOSE DISCONNECTS

General Purpose Stainless Steel Two-Door Floor-Mount Disconnect, Type 4X	378
General Purpose Single-Door Free-Stand Disconnect, Type 4X	380
Disconnect Mounting Space	382

STAINLESS STEEL HEAVY DUTY DISCONNECTS

Stainless Steel Heavy-Duty Free-Stand Flange-Mount Disconnects, Type 4X	383
Disconnect Mounting Space	389

WATERSHED STAINLESS STEEL

WATERSHED Free-Standing Stainless Steel Disconnect	390
Disconnect Mounting Space	392
Sanitary Leg Kits	393

FREE-STAND UNIVERSAL-CUTOUT DISCONNECTS

FREE-STAND UNIVERSAL-CUTOUT DISCONNECT OVERVIEW

Universal Cutout Overview	394
---------------------------	-----

FREE-STAND TYPE 12 DISCONNECTS

Two-Door with Floor Stands Disconnect Enclosure, Type 12	395
Disconnect Mounting Space	400
Heavy-Duty Free-Stand Disconnect Enclosure, Type 12	401

FREE-STAND TYPE 4 DISCONNECTS

Free-Stand Disconnect with Quick-Release Continuous Hinge, Type 4	410
Disconnect Mounting Space	415

TYPE 12 MODULAR FREE-STAND DISCONNECTS AND ACCESSORIES

Modular Disconnect Enclosure, Type 12	416
Disconnect Mounting Space	421
End Plates	422
Flat End Plates	422
Barriers	423
Gasket Kit	423

SEQUESTR PREFERRED-CUTOUT DISCONNECTS

SEQUESTR EXTERNAL DISCONNECTS

Mild Steel SEQUESTR Preferred-Cutout Overview	424
Mild Steel SEQUESTR External Disconnect, Type 12	425
Mild Steel SEQUESTR External Disconnect Package, Type 12	426
Stainless Steel SEQUESTR Preferred-Cutout Overview	434
Stainless Steel SEQUESTR External Disconnect Enclosure, Type 4X	435
Stainless Steel SEQUESTR External Disconnect Package, Type 4X	436
Disconnect Mounting Space	440

DISCONNECT ACCESSORIES

ACCESSORIES FOR FREE-STAND OR FLOOR-MOUNT DISCONNECTS

Operator Adapters for Universal Cutouts	442
Operator Adapters for Preferred Cutouts	442
Blank Adapter Plates, Mild Steel	443
Blank Adapter Plates, Stainless Steel	443
Enclosure Stabilizers	443

PREFERRED-CUTOUT OVERVIEW



APPLICATION

Enclosures having the preferred cutout are sized for use with up to 200A disconnect switches and up to 400A circuit breakers unless otherwise specified. The preferred cutout accepts the smaller operating handle whose mounting hole centers are 4.688 in. apart. Preferred cutouts are standard in mild steel wall-mount enclosures, modular enclosures and some select large mild steel enclosures. They are also present on all standard stainless steel offerings. Mild steel operator adapter plates with brand specific preferred cutouts are available for enclosures with a rectangular universal cutout.

Preferred cutouts are designed to house the following:

Allen-Bradley

- Bulletin 1494V disconnect switches with flange-mount variable-depth operating mechanisms and Bulletin 1494V flange-mount variable-depth operating mechanisms for circuit breakers
- Bulletin 140U flexible cable operating mechanisms for 140U molded case circuit breakers
- Bulletin 140G flexible cable and variable depth flange-mount molded case circuit breakers
- Bulletin 1494C cable-operated disconnect switches with flange-mount handles
- Bulletin 194RC cable-operated flange-mount handles for use with the NFPA 79 compliant 194R IEC rotary disconnect switches *Allen-Bradley Bulletin 1494V-R1, -R2 and -W2 operating handles and Allen-Bradley Bulletin 1494F disconnect devices or Bulletin 1494D circuit breaker operators will NOT fit these enclosures.*

ABB Controls flange-mount variable-depth operating mechanisms for disconnect switches and circuit breakers. Also the cable version for circuit breakers.

Eaton Cutler-Hammer Type C361 flange-mount variable-depth operating mechanisms with disconnect switches and Type C371 flange-mount variable-depth operating mechanisms for circuit breakers.

General Electric Type STDA flange handles and variable-depth operating mechanisms for disconnect switches and circuit breakers. Also SPECTRAFLEX cable operators for circuit breakers.

Siemens ITE MAX FLEX® flange-mount variable-depth operating handles for circuit breakers.

Schneider Square D® Class 9422 disconnect switches with flange-mount variable-depth operating mechanisms or cable mechanisms and Class 9422 flange-mount variable-depth operating mechanisms or cable mechanisms for circuit breakers. *These enclosures will NOT accept Square D Class 9422 bracket-mounted disconnect devices, Class 9422TG1 or TG2 devices.*

ORDERING

The disconnect switch, operating handle, and operating mechanism must be ordered from disconnect equipment supplier. See Technical Information in the Hoffman Specifier's Guide for wire bend space available when various manufacturers' disconnect switches are installed. Check the enclosure dimension drawings to verify the chosen disconnect switch will fit in the enclosure.

WALL-MOUNT DISCONNECT ENCLOSURE WITH HANDLE, TYPE 12

- Oil-resistant gasket
- Collar studs for mounting optional panels
- Holes in body and door for mounting disconnect operating handle, operating mechanism, and door hardware
- Available with or without POWERGLIDE handle and latching hardware
- Includes latch pivot post(s) and cover interlock bracket welded to door, cover latch bar for door, and instructions for installing disconnects
- Model numbers ending with "PL" include POWERGLIDE handle and latching hardware
- Installation instructions provided

FINISH

ANSI 61 gray polyester powder paint outside and white inside.

ACCESSORIES

See also *Accessories*.

Blank Adapter Plates, Mild Steel

Compact Cooling Fans

PANELITE Enclosure Lights Overview

Panels for Type 3R, 4, 4X, 12 and 13 Enclosures

POWERGLIDE Defeater Handle Kit

Steel and Stainless Steel Window Kits

ORDERING

Note: Some flexible cable operating mechanisms may not work in 8-in. deep enclosures due to interference with cable control hardware on inside of flange.

Depending on model, order as follows:

PL models:

- Operating mechanism and disconnect switch or circuit breakers
- Disconnect operating handle

All other models:

- Operating mechanism and disconnect switch or circuit breakers
- Disconnect operating handle
- POWERGLIDE Defeater Handle Kit

—or—

- Operating mechanism and disconnect switch or circuit breakers
- Disconnect operating handle
- Door hardware

MODIFICATION AND CUSTOMIZATION

Hoffman excels at modifying and customizing products to your specifications. Contact your local Hoffman sales office or distributor for complete information.

BULLETIN: A25**INDUSTRY STANDARDS**

UL 508A Listed; Type 12, 13; File No. E61997
cUL Listed per CSA C22.2 No. 94; Type 12, 13; File No. E61997

NEMA/EEMAC Type 12, 13
CSA File No. 42186: Type 12
IEC 60529, IP65

APPLICATION

These general purpose disconnect enclosures accept major brand disconnect switches and circuit breakers, available with or without the Hoffman-supplied defeater door handle and handle hardware.

SPECIFICATIONS

- 14 gauge steel
- Seams continuously welded and ground smooth
- Bonding provision on door
- External welded-on mounting brackets for easy installation
- External formed body flange channels away liquids
- Removable door with continuous hinge
- Data pocket is high impact thermoplastic

Standard Product

Catalog Number	AxBxC in.	AxBxC mm	Footnotes	With or Without Handle	Panel	Conductive Panel	Panel Size D x E (in.)	Panel Size D x E (mm)	Data Pocket Size D x E (in.)	Data Pocket Size D x E (mm)
A20SA2208LP	20.00 x 21.38 x 8.00	508 x 543 x 203	—	Without	A20P20	A20P20G	17.00 x 17.00	432 x 432	6.00 x 6.00	152 x 152
A20SA2208LPPL	20.00 x 21.38 x 8.00	508 x 543 x 203	—	With	A20P20	A20P20G	17.00 x 17.00	432 x 432	6.00 x 6.00	152 x 152
A24SA2208LP	24.00 x 21.38 x 8.00	610 x 543 x 203	—	Without	A24P20	A24P20G	21.00 x 17.00	533 x 432	6.00 x 6.00	152 x 152
A24SA2208LPPL	24.00 x 21.38 x 8.00	610 x 543 x 203	—	With	A24P20	A24P20G	21.00 x 17.00	533 x 432	6.00 x 6.00	152 x 152
A24SA2608LP	24.00 x 25.38 x 8.00	610 x 645 x 203	—	Without	A24P24	A24P24G	21.00 x 21.00	533 x 533	6.00 x 6.00	152 x 152
A24SA2608LPPL	24.00 x 25.38 x 8.00	610 x 645 x 203	—	With	A24P24	A24P24G	21.00 x 21.00	533 x 533	6.00 x 6.00	152 x 152
A30SA2208LP	30.00 x 21.38 x 8.00	762 x 543 x 203	—	Without	A30P20	A30P20G	27.00 x 17.00	686 x 432	6.00 x 6.00	152 x 152
A30SA2208LPPL	30.00 x 21.38 x 8.00	762 x 543 x 203	—	With	A30P20	A30P20G	27.00 x 17.00	686 x 432	6.00 x 6.00	152 x 152
A30SA2608LP	30.00 x 25.38 x 8.00	762 x 645 x 203	—	Without	A30P24	A30P24G	27.00 x 21.00	686 x 533	12.00 x 12.00	305 x 305
A30SA2608LPPL	30.00 x 25.38 x 8.00	762 x 645 x 203	—	With	A30P24	A30P24G	27.00 x 21.00	686 x 533	12.00 x 12.00	305 x 305
A36SA2608LP	36.00 x 25.38 x 8.00	914 x 645 x 203	—	Without	A36P24	A36P24G	33.00 x 21.00	838 x 533	12.00 x 12.00	305 x 305
A36SA2608LPPL	36.00 x 25.38 x 8.00	914 x 645 x 203	—	With	A36P24	A36P24G	33.00 x 21.00	838 x 533	12.00 x 12.00	305 x 305
A36SA3208LP	36.00 x 31.38 x 8.00	914 x 797 x 203	—	Without	A36P30	A36P30G	33.00 x 27.00	838 x 686	12.00 x 12.00	305 x 305
A36SA3208LPPL	36.00 x 31.38 x 8.00	914 x 797 x 203	—	With	A36P30	A36P30G	33.00 x 27.00	838 x 686	12.00 x 12.00	305 x 305
A42SA3208LP	42.00 x 31.38 x 8.00	1067 x 797 x 203	—	Without	A42P30	A42P30G	39.00 x 27.00	991 x 686	6.00 x 6.00	152 x 152
A42SA3208LPPL	42.00 x 31.38 x 8.00	1067 x 797 x 203	—	With	A42P30	A42P30G	39.00 x 27.00	991 x 686	6.00 x 6.00	152 x 152
A42SA3808LP	42.00 x 37.38 x 8.00	1067 x 949 x 203	—	Without	A42P36	A42P36G	39.00 x 33.00	991 x 838	12.00 x 12.00	305 x 305
A42SA3808LPPL	42.00 x 37.38 x 8.00	1067 x 949 x 203	—	With	A42P36	A42P36G	39.00 x 33.00	991 x 838	12.00 x 12.00	305 x 305
A48SA3808LP	48.00 x 37.38 x 8.00	1219 x 949 x 203	—	Without	A48P36	A48P36G	45.00 x 33.00	1143 x 838	12.00 x 12.00	305 x 305
A48SA3808LPPL	48.00 x 37.38 x 8.00	1219 x 949 x 203	—	With	A48P36	A48P36G	45.00 x 33.00	1143 x 838	12.00 x 12.00	305 x 305
A60SA3808LP	60.00 x 37.38 x 8.00	1524 x 949 x 203	—	Without	A60P36	A60P36G	57.00 x 33.00	1448 x 838	12.00 x 12.00	305 x 305
A60SA3808LPPL	60.00 x 37.38 x 8.00	1524 x 949 x 203	—	With	A60P36	A60P36G	57.00 x 33.00	1448 x 838	12.00 x 12.00	305 x 305
A20SA2210LP	20.00 x 21.38 x 10.00	508 x 543 x 254	—	Without	A20P20	A20P20G	17.00 x 17.00	432 x 432	6.00 x 6.00	152 x 152
A20SA2210LPPL	20.00 x 21.38 x 10.00	508 x 543 x 254	—	With	A20P20	A20P20G	17.00 x 17.00	432 x 432	6.00 x 6.00	152 x 152
A24SA2210LP	24.00 x 21.38 x 10.00	610 x 543 x 254	—	Without	A24P20	A24P20G	21.00 x 17.00	533 x 432	6.00 x 6.00	152 x 152
A24SA2210LPPL	24.00 x 21.38 x 10.00	610 x 543 x 254	—	With	A24P20	A24P20G	21.00 x 17.00	533 x 432	6.00 x 6.00	152 x 152
A24SA2610LP	24.00 x 25.38 x 10.00	610 x 645 x 254	—	Without	A24P24	A24P24G	21.00 x 21.00	533 x 533	6.00 x 6.00	152 x 152
A24SA2610LPPL	24.00 x 25.38 x 10.00	610 x 645 x 254	—	With	A24P24	A24P24G	21.00 x 21.00	533 x 533	6.00 x 6.00	152 x 152
A30SA2210LP	30.00 x 21.38 x 10.00	762 x 543 x 254	—	Without	A30P20	A30P20G	27.00 x 17.00	686 x 432	6.00 x 6.00	152 x 152
A30SA2210LPPL	30.00 x 21.38 x 10.00	762 x 543 x 254	—	With	A30P20	A30P20G	27.00 x 17.00	686 x 432	6.00 x 6.00	152 x 152
A30SA2610LP	30.00 x 25.38 x 10.00	762 x 645 x 254	—	Without	A30P24	A30P24G	27.00 x 21.00	686 x 533	12.00 x 12.00	305 x 305
A30SA2610LPPL	30.00 x 25.38 x 10.00	762 x 645 x 254	—	With	A30P24	A30P24G	27.00 x 21.00	686 x 533	12.00 x 12.00	305 x 305
A36SA2610LP	36.00 x 25.38 x 10.00	914 x 645 x 254	—	Without	A36P24	A36P24G	33.00 x 21.00	838 x 533	12.00 x 12.00	305 x 305
A36SA2610LPPL	36.00 x 25.38 x 10.00	914 x 645 x 254	—	With	A36P24	A36P24G	33.00 x 21.00	838 x 533	12.00 x 12.00	305 x 305
A36SA3210LP	36.00 x 31.38 x 10.00	914 x 797 x 254	—	Without	A36P30	A36P30G	33.00 x 27.00	838 x 686	12.00 x 12.00	305 x 305
A36SA3210LPPL	36.00 x 31.38 x 10.00	914 x 797 x 254	—	With	A36P30	A36P30G	33.00 x 27.00	838 x 686	12.00 x 12.00	305 x 305
A42SA3210LP	42.00 x 31.38 x 10.00	1067 x 797 x 254	—	Without	A42P30	A42P30G	39.00 x 27.00	991 x 686	6.00 x 6.00	152 x 152
A42SA3210LPPL	42.00 x 31.38 x 10.00	1067 x 797 x 254	—	With	A42P30	A42P30G	39.00 x 27.00	991 x 686	6.00 x 6.00	152 x 152
A42SA3810LP	42.00 x 37.38 x 10.00	1067 x 949 x 254	—	Without	A42P36	A42P36G	39.00 x 33.00	991 x 838	12.00 x 12.00	305 x 305
A42SA3810LPPL	42.00 x 37.38 x 10.00	1067 x 949 x 254	—	With	A42P36	A42P36G	39.00 x 33.00	991 x 838	12.00 x 12.00	305 x 305
A48SA2610LPPL	48.00 x 25.38 x 10.00	1219 x 645 x 254	—	With	A48P24	A48P24G	45.00 x 21.00	1143 x 533	12.00 x 12.00	305 x 305
A48SA3810LP	48.00 x 37.38 x 10.00	1219 x 949 x 254	—	Without	A48P36	A48P36G	45.00 x 33.00	1143 x 838	12.00 x 12.00	305 x 305
A48SA3810LPPL	48.00 x 37.38 x 10.00	1219 x 949 x 254	—	With	A48P36	A48P36G	45.00 x 33.00	1143 x 838	12.00 x 12.00	305 x 305
A60SA3810LP	60.00 x 37.38 x 10.00	1524 x 949 x 254	—	Without	A60P36	A60P36G	57.00 x 33.00	1448 x 838	12.00 x 12.00	305 x 305
A60SA3810LPPL	60.00 x 37.38 x 10.00	1524 x 949 x 254	—	With	A60P36	A60P36G	57.00 x 33.00	1448 x 838	12.00 x 12.00	305 x 305
A60SA3812LPPL	60.00 x 37.38 x 12.00	1524 x 949 x 305	—	With	A60P36	A60P36G	57.00 x 33.00	1448 x 838	12.00 x 12.00	305 x 305
A36SA3216LPPL	36.00 x 31.38 x 16.00	914 x 797 x 406	—	With	A36P30	A36P30G	33.00 x 27.00	838 x 686	12.00 x 12.00	305 x 305
A42SA3216LPPL	42.00 x 31.38 x 16.00	1067 x 797 x 406	—	With	A42P30	A42P30G	39.00 x 27.00	991 x 686	6.00 x 6.00	152 x 152
A42SA3816LPPL	42.00 x 37.38 x 16.00	1067 x 949 x 406	—	With	A42P36	A42P36G	39.00 x 33.00	991 x 838	12.00 x 12.00	305 x 305
A48SA3816LPPL	48.00 x 37.38 x 16.00	1219 x 949 x 406	—	With	A48P36	A48P36G	45.00 x 33.00	1143 x 838	12.00 x 12.00	305 x 305
A60SA3816LP	60.00 x 37.38 x 16.00	1524 x 949 x 406	—	Without	A60P36	A60P36G	57.00 x 33.00	1448 x 838	12.00 x 12.00	305 x 305
A60SA3816LPPL	60.00 x 37.38 x 16.00	1524 x 949 x 406	—	With	A60P36	A60P36G	57.00 x 33.00	1448 x 838	12.00 x 12.00	305 x 305
A30SA2612LP	30.00 x 25.38 x 12.00	762 x 645 x 305	a	Without	A30P24	A30P24G	27.00 x 21.00	686 x 533	12.00 x 12.00	305 x 305
A30SA2612LPPL	30.00 x 25.38 x 12.00	762 x 645 x 305	a	With	A30P24	A30P24G	27.00 x 21.00	686 x 533	12.00 x 12.00	305 x 305
A36SA3212LP	36.00 x 31.38 x 12.00	914 x 797 x 305	a	Without	A36P30	A36P30G	33.00 x 27.00	838 x 686	12.00 x 12.00	305 x 305
A36SA3212LPPL	36.00 x 31.38 x 12.00	914 x 797 x 305	a	With	A36P30	A36P30G	33.00 x 27.00	838 x 686	12.00 x 12.00	305 x 305
A42SA3212LP	42.00 x 31.38 x 12.00	1067 x 797 x 305	a	Without	A42P30	A42P30G	39.00 x 27.00	991 x 686	6.00 x 6.00	152 x 152
A42SA3212LPPL	42.00 x 31.38 x 12.00	1067 x 797 x 305	a	With	A42P30	A42P30G	39.00 x 27.00	991 x 686	6.00 x 6.00	152 x 152
A42SA3812LP	42.00 x 37.38 x 12.00	1067 x 949 x 305	a	Without	A42P36	A42P36G	39.00 x 33.00	991 x 838	12.00 x 12.00	305 x 305
A42SA3812LPPL	42.00 x 37.38 x 12.00	1067 x 949 x 305	a	With	A42P36	A42P36G	39.00 x 33.00	991 x 838	12.00 x 12.00	305 x 305
A48SA3812LP	48.00 x 37.38 x 12.00	1219 x 949 x 305	a	Without	A48P36	A48P36G	45.00 x 33.00	1143 x 838	12.00 x 12.00	305 x 305
A48SA3812LPPL	48.00 x 37.38 x 12.00	1219 x 949 x 305	a	With	A48P36	A48P36G	45.00 x 33.00	1143 x 838	12.00 x 12.00	305 x 305
A60SA3812LP	60.00 x 37.38 x 12.00	1524 x 949 x 305	a	Without	A60P36	A60P36G	57.00 x 33.00	1448 x 838	12.00 x 12.00	305 x 305
A36SA3216LP	36.00 x 31.38 x 16.00	914 x 797 x 406	a	Without	A36P30	A36P30G	33.00 x 27.00	838 x 686	12.00 x 12.00	305 x 305
A48SA3816LP	48.00 x 37.38 x 16.00	1219 x 949 x 406	a	Without	A48P36	A48P36G	45.00 x 33.00	1143 x 838	12.00 x 12.00	305 x 305
A60SA3812A24LP	60.00 x 37.38 x 12.00	1524 x 949 x 305	b	Without	A60P36	A60P36G	57.00 x 33.00	1448 x 838	12.00 x 12.00	305 x 305

^aWhen using a Siemens ITE circuit breaker and an enclosure with an A dimension of 30-, 36- or 42-in., verify the amount of wire bend space required for both the line and load sides. Enclosures 12- and 16-in. deep can be modified to accept Siemens ITE 800 A and 1200 A circuit breakers. (Consult factory for details.)

^bCatalog number A60SA3812A24LP enclosure will receive only 400 A and 600 A Allen-Bradley Bulletin 1494V disconnect switches, and Siemens ITE 800 Amp and 1200 Amp circuit breakers. The 400 Amp and 600 Amp Allen-Bradley disconnect switch will not fit any other size enclosure from the Bulletin A25 family. Blank Adapter Plates will not fit catalog number A60SA3812A24LP.

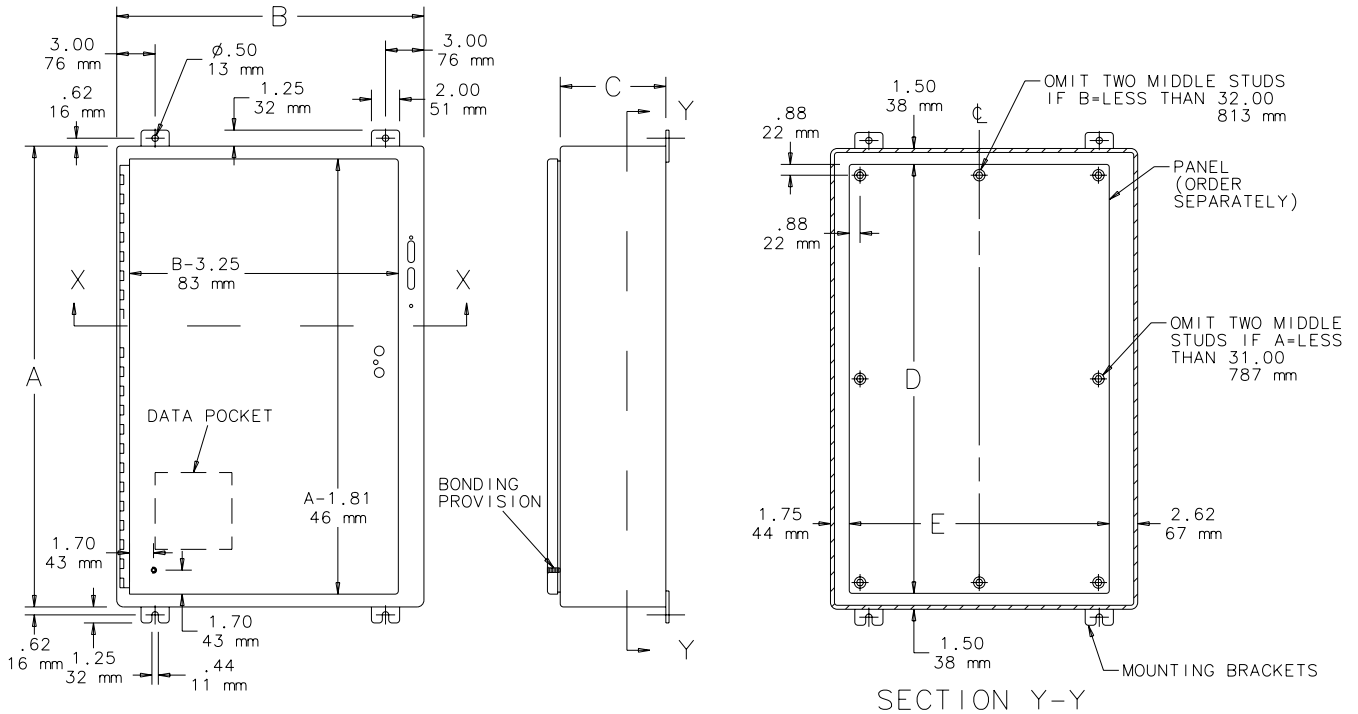
Purchase panels separately.

Table 430.10(B) Minimum Wire Bending Space at the Terminals of Enclosed Motor Controllers

Size of Wire (AWG or kcmil)	Wires per Terminal 1 (mm)	Wires per Terminal 1 (in.)	Wires per Terminal 2 (mm)	Wires per Terminal 2 (in.)
14-10	Not specified	Not specified	—	—
8-6	30	1.5	—	—
4-3	50	2	—	—
2	65	2.5	—	—
1	75	3	—	—
1/0	125	5	125	5
2/0	150	6	150	6
3/0-4/0	175	7	175	7
250	200	8	200	8
300	250	10	250	10
350-500	300	12	300	12
600-700	350	14	400	16
750-900	450	18	475	19

This table is reproduced with permission from NRPA 2005-70, National Electrical Code, copyright 2005, National Fire Protection Association, Quincy, MA 02269. This reprinted material is not the complete and official position of the NFPA on the referenced subject which is represented only by the standard in its entirety.

Where provision for 3 or more wires per terminal exists, the minimum wire bending space shall be in accordance with the requirements of Article 312.



C2512-C

NOTE:

1. Panels have flanges along two sides when the side dimension is more than 21.00 (533mm).
2. Catalog number A60SA3812A24LP has a larger cutout in the enclosure flange to accommodate the Allen-Bradley 1494V-H2 and Siemens ITE FHOHN operating handles.
3. Panels are 12 gauge steel.
4. Enclosure with A < 40.00 (1016mm) require 2-point door hardware.



DISCONNECT MOUNTING SPACE

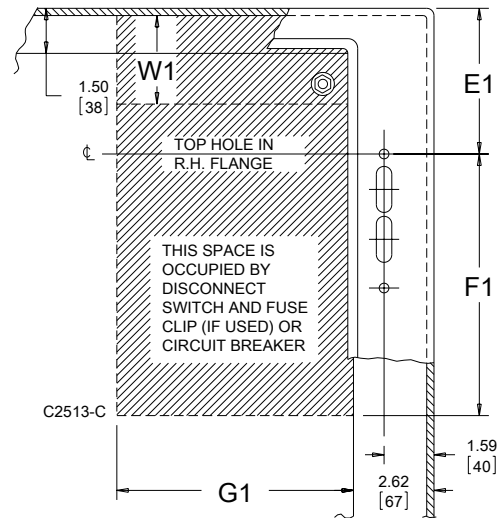
Disconnects will occupy space on panel shown by dimensions E1, F1 and G1 in Disconnect Mounting Space diagram. Wiring space W1 is available when disconnect is installed in the enclosure.

- E1 = 4.75 in. (121 mm) when C = 8.00 in. (203 mm)
- E1 = 7.09 in. (180 mm) when C = 10.00 in. (254 mm)
- E1 = 11.62 in. (294 mm) when C = 12.00 in. (305 mm)
- E1 = 11.62 in. (294 mm) when C = 16.00 in. (406 mm)
- E1 = 18.38 in. (467 mm) for A60SA3812A24LP
- W1 = Wiring Space.

See *Technical Information for wire bend space.*

Refer to **NATIONAL ELECTRICAL CODE 2005** article 430.10(B) for wiring space required for line side conductors to be connected to disconnect.

Verify your application to determine if wiring space is adequate.



Consult disconnect manufacturer for F1 and G1 dimensions.

POWERGLIDE DEFEATER HANDLE KIT



This clockwise defeater model includes door hardware for Bulletin A25 enclosures.

BULLETIN: A80

Catalog Number	Description
AL55CWD	Medium POWERGLIDE Handle - Clockwise opening with defeater and door hardware



CONCEPT DISCONNECT ENCLOSURE, TYPE 4



INDUSTRY STANDARDS

Mounting brackets required to maintain UL/CSA external mounting requirement.

UL 508A Listed; Type 4, 12; File No. E61997
 cUL Listed per CSA C22.2 No. 94; Type 4, 12; File No. E61997

NEMA/EEMAC Type 4, 12, Type 13
 CSA File No. 42186: Type 4, 12
 VDE, IP66
 IEC 60529, IP66

APPLICATION

Use CONCEPT Disconnect Enclosures in applications that require stylized design features and a preferred cutout for the disconnect switch or circuit breaker. Accepts major brand disconnect switches and circuit breakers and is supplied with a Hoffman-integrated tool-to-open handle.

Furnished with Enclosures

1. Door interlock bracket welded to door
2. Door latching system (2-point or 3-point) installed on door
3. Instructions to locate and install disconnect
4. Hardware kit consisting of padlocking door handle, panel mounting nuts, grounding hardware and sealing washers for mounting holes

SPECIFICATIONS

- 16 or 14 gauge steel
- Seams continuously welded and ground smooth
- External-formed 90-degree body flange channels away liquids
- Bonding provision on door; grounding stud on body
- Holes in body for mounting disconnect operating handle and operating mechanism
- Panel mounting studs fit optional CONCEPT panels and other accessories
- Mounting holes in back of body for direct mounting or optional external mounting brackets
- Removable door with hidden hinges for clean, aesthetic appearance
- Corner-formed doors
- Provisions on door for optional high-impact thermoplastic data pocket
- Seamless foam-in-place gasket
- Door alignment device on doors wider than 30 in.
- Latching system interlocks with the disconnect handle for added safety
- Unique integrated door handle with tool-to-open feature and padlocking option
- Self-grounding latch system with double seal
- Four hinges on 60-inch-high enclosures
- Simple easy-to-remove and install hinge pins with captivation clip
- High-torque threadless studs and fasteners on door
- Installation instructions provided

FINISH

Two standard finishes are available:

- ANSI 61 gray polyester powder paint inside and out
- RAL 7035 textured light-gray polyester powder paint inside and out

ACCESSORIES

See also *Accessories*.

Blank Adapter Plates, Mild Steel
 Compact Cooling Fans
 PANELITE Enclosure Lights Overview
 CONCEPT Panels
 Mounting-Bracket Kits
 Steel and Stainless Steel Window Kits

MODIFICATION AND CUSTOMIZATION

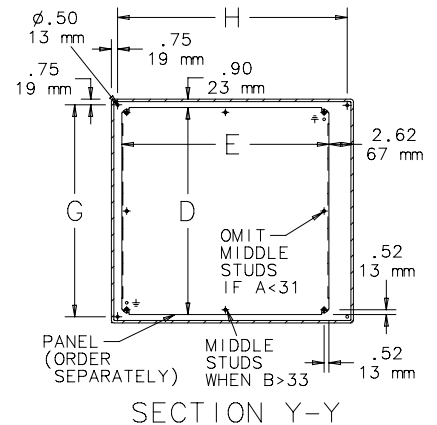
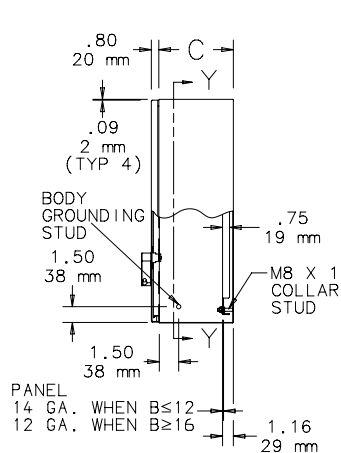
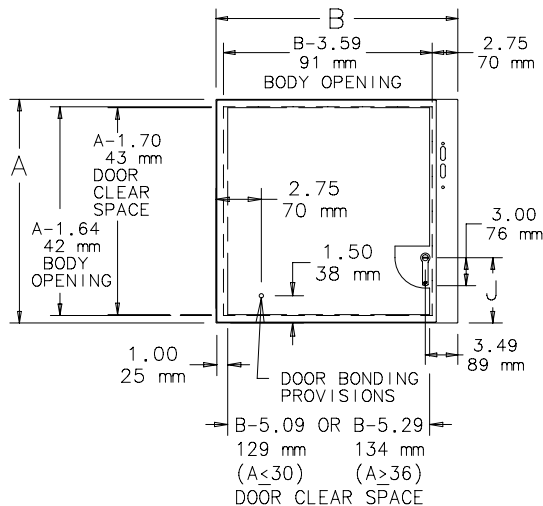
Hoffman excels at modifying and customizing products to your specifications. Contact your local Hoffman sales office or distributor for complete information.

BULLETIN: CWD

Standard Product

Catalog Number	AxBxC in./mm	Finish	Door Gauge	Body Gauge	CONCEPT Panel	Conductive Panel	Panel Size D x E in./mm	Mounting G x H in./mm	Latches Qty.	Latches Style	J in./mm
CDSC20228	20.00 x 22.00 x 8.00 508 x 559 x 203	ANSI 61 Gray	14	16	CP2020	CP2020G	18.20 x 18.20 462 x 462	18.50 x 20.50 470 x 521	1	2-point	5.00 127
CDSC20228LG	20.00 x 22.00 x 8.00 508 x 559 x 203	RAL 7035 Gray	14	16	CP2020	CP2020G	18.20 x 18.20 462 x 462	18.50 x 20.50 470 x 521	1	2-point	5.00 127
CDSC24228	24.00 x 22.00 x 8.00 610 x 559 x 203	ANSI 61 Gray	14	16	CP2420	CP2420G	22.20 x 18.20 564 x 462	22.50 x 20.50 572 x 521	1	2-point	6.00 152
CDSC24228LG	24.00 x 22.00 x 8.00 610 x 559 x 203	RAL 7035 Gray	14	16	CP2420	CP2420G	22.20 x 18.20 564 x 462	22.50 x 20.50 572 x 521	1	2-point	6.00 152
CDSC24268	24.00 x 26.00 x 8.00 610 x 660 x 203	ANSI 61 Gray	14	16	CP2424	CP2424G	22.20 x 22.20 564 x 564	22.50 x 24.50 572 x 622	1	2-point	6.00 152
CDSC24268LG	24.00 x 26.00 x 8.00 610 x 660 x 203	RAL 7035 Gray	14	16	CP2424	CP2424G	22.20 x 22.20 564 x 564	22.50 x 24.50 572 x 622	1	2-point	6.00 152
CDSC30268	30.00 x 26.00 x 8.00 762 x 660 x 203	ANSI 61 Gray	14	16	CP3024	CP3024G	28.20 x 22.20 716 x 564	28.50 x 24.50 724 x 622	1	2-point	6.00 152
CDSC30268LG	30.00 x 26.00 x 8.00 762 x 660 x 203	RAL 7035 Gray	14	16	CP3024	CP3024G	28.20 x 22.20 716 x 564	28.50 x 24.50 724 x 622	1	2-point	6.00 152
CDSC36268	36.00 x 26.00 x 8.00 914 x 660 x 203	ANSI 61 Gray	14	14	CP3624	CP3624G	34.20 x 22.20 869 x 564	34.50 x 24.50 876 x 622	1	2-point	6.00 152
CDSC36268LG	36.00 x 26.00 x 8.00 914 x 660 x 203	RAL 7035 Gray	14	14	CP3624	CP3624G	34.20 x 22.20 869 x 564	34.50 x 24.50 876 x 622	1	2-point	6.00 152
CDSC36328	36.00 x 32.00 x 8.00 914 x 813 x 203	ANSI 61 Gray	14	14	CP3630	CP3630G	34.20 x 28.20 869 x 716	34.50 x 30.50 869 x 775	1	2-point	6.00 152
CDSC36328LG	36.00 x 32.00 x 8.00 914 x 813 x 203	RAL 7035 Gray	14	14	CP3630	CP3630G	34.20 x 28.20 869 x 716	34.50 x 30.50 869 x 775	1	2-point	6.00 152
CDSC423212	42.00 x 32.00 x 12.00 1067 x 813 x 305	ANSI 61 Gray	14	14	CP4230	CP4230G	40.20 x 28.20 1021 x 716	40.50 x 30.50 1029 x 775	1	3-point	21.00 533
CDSC423212LG	42.00 x 32.00 x 12.00 1067 x 813 x 305	RAL 7035 Gray	14	14	CP4230	CP4230G	40.20 x 28.20 1021 x 716	40.50 x 30.50 1029 x 775	1	3-point	21.00 533
CDSC423812	42.00 x 38.00 x 12.00 1067 x 965 x 305	ANSI 61 Gray	14	14	CP4236	CP4236G	40.20 x 34.20 1021 x 869	40.50 x 36.50 1029 x 927	1	3-point	21.00 533
CDSC423812LG	42.00 x 38.00 x 12.00 1067 x 965 x 305	RAL 7035 Gray	14	14	CP4236	CP4236G	40.20 x 34.20 1021 x 869	40.50 x 36.50 1029 x 927	1	3-point	21.00 533
CDSC483812	48.00 x 38.00 x 12.00 1219 x 965 x 305	ANSI 61 Gray	14	14	CP4836	CP4836G	46.20 x 34.20 1173 x 869	46.50 x 36.50 1181 x 927	1	3-point	24.00 610
CDSC483812LG	48.00 x 38.00 x 12.00 1219 x 965 x 305	RAL 7035 Gray	14	14	CP4836	CP4836G	46.20 x 34.20 1173 x 869	46.50 x 36.50 1181 x 927	1	3-point	24.00 610
CDSC603812	60.00 x 38.00 x 12.00 1524 x 965 x 305	ANSI 61 Gray	14	14	CP6036	CP6036G	58.20 x 34.20 1478 x 869	58.50 x 36.50 1486 x 927	1	3-point	30.00 762
CDSC603812LG	60.00 x 38.00 x 12.00 1524 x 965 x 305	RAL 7035 Gray	14	14	CP6036	CP6036G	58.20 x 34.20 1478 x 869	58.50 x 36.50 1486 x 927	1	3-point	30.00 762

Purchase panels separately.



NOTE: Door has provision for data pocket. Use 12 x 12 inch data pocket when A=30.00 (762mm) or more and B=22.00 (553mm) or more.

89116273



CONCEPT DISCONNECT ENCLOSURE, TYPE 4X



INDUSTRY STANDARDS

Mounting brackets required to meet UL/cUL external mounting requirement.

UL 508A Listed; Type 3R, 4, 4X, 12; File No. E61997
 cUL Listed per CSA C22.2 No. 94; Type 3R, 4, 4X, 12; File No. E61997

NEMA/EEMAC Type 3R, 4, 4X, 12, 13
 IEC 60529, IP66
 Meets NEMA Type 3RX requirements

APPLICATION

Use CONCEPT Disconnect Enclosures in applications that require stylized design features and a preferred cutout that accepts major brand disconnect switches and circuit breakers.

Furnished with Enclosures

1. Door interlock bracket welded to door
2. Three-point door latching system installed on door
3. Instructions to locate and install disconnect
4. Hardware kit consisting of padlocking door handle, panel mounting nuts, grounding hardware and sealing washers for mounting holes

SPECIFICATIONS

- Body and door are 14 gauge Type 304 stainless steel
- Seams continuously welded and ground smooth
- External-formed 90-degree body flange
- Integral door ramp to properly align door and gasket to body flange
- Holes provided in right-hand flange are for mounting disconnect operating handle and operating mechanism
- Panel mounting studs fit optional CONCEPT panels and other accessories (purchase panels separately)
- Mounting holes in back of body for direct mounting or for optional external mounting brackets
- Stainless steel hidden hinges
- Standard full-access door opening
- Corner formed doors are interchangeable and easily removable by pulling captive hinge pins
- Provisions on door for optional high-impact thermoplastic data pocket
- Seamless foam-in-place gasket
- Three-point door latching system installed on door interlocks with disconnect handle for added safety
- Interlock bracket welded to door
- Unique integrated door handle with tool-to-open feature and padlock option installed on door
- Self-grounding latch system with double seal
- Bonding provision on door; grounding stud on body
- Includes hardware kit (consisting of padlocking door handle, panel mounting nuts, grounding hardware and sealing washers for mounting holes) and instructions for installing disconnects

FINISH

Sides, top bottom and door have smooth #4 brushed finish. Handle is die-cast with black textured polyester powder paint.

ACCESSORIES

Blank Adapter Plates, Stainless Steel
 Compact Cooling Fans
 Mounting-Bracket Kits
 PANELITE Enclosure Lights Overview
 CONCEPT Panels
 Steel and Stainless Steel Window Kits

MODIFICATION AND CUSTOMIZATION

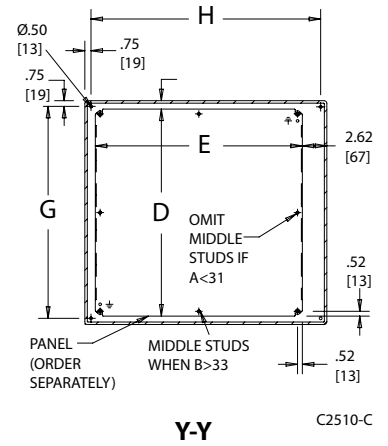
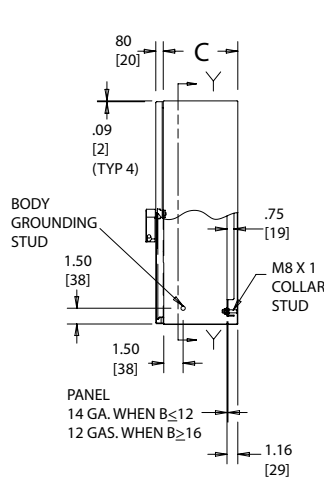
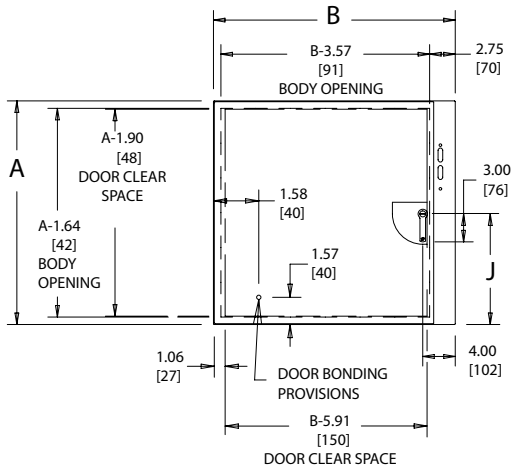
Hoffman excels at modifying and customizing products to your specifications. Contact your local Hoffman sales office or distributor for complete information.

BULLETIN: CWSD

Standard Product

Catalog Number	AxBxC in./mm	CONCEPT Panel	Conductive Panel	Panel Size D x E in./mm	Mounting G x H in./mm	J in./mm
CDSC20228SS	20.00 x 22.00 x 8.00 508 x 559 x 203	CP2020	CP2020G	18.20 x 18.20 462 x 462	18.50 x 20.50 470 x 521	8.00 203
CDSC24228SS	24.00 x 22.00 x 8.00 610 x 559 x 203	CP2420	CP2420G	22.20 x 18.20 564 x 462	22.50 x 20.50 572 x 521	12.00 305
CDSC24268SS	24.00 x 26.00 x 8.00 610 x 660 x 203	CP2424	CP2424G	22.20 x 22.20 564 x 564	22.50 x 24.50 572 x 622	12.00 305
CDSC30268SS	30.00 x 26.00 x 8.00 762 x 660 x 203	CP3024	CP3024G	28.20 x 24.50 716 x 564	28.50 x 24.50 724 x 622	15.00 381
CDSC36268SS	36.00 x 26.00 x 8.00 914 x 660 x 203	CP3624	CP3624G	32.20 x 22.20 869 x 564	34.50 x 24.50 876 x 622	18.00 457

Purchase panels separately. Optional plated CONCEPT panels available. Optional NEMA style and stainless steel panels require conversion kit catalog number CCPM4.



NOTE: DOOR HAS PROVISION FOR DATA POCKET. USE 12 X 12 IN. DATA POCKET WHEN A ≥ 30.00 [762] AND B ≥ 22.00 [553].



CONCEPT WITH QUARTER-TURN LATCHES DISCONNECT ENCLOSURE, TYPE 4X



SPECIFICATIONS

- Body and door are 14 gauge Type 304 stainless steel
- Seams continuously welded and ground smooth
- External-formed 90-degree body flange
- Integral door alignment device to properly align door and gasket to body flange
- Holes provided in body for mounting disconnect operating handle and operating mechanism
- Panel mounting studs fit optional CONCEPT panels and other accessories (purchase panels separately)
- Mounting holes in back of body for direct mounting or for optional external mounting brackets
- Stainless steel hidden hinges
- Standard full-access door opening
- Corner-formed doors are interchangeable and easily removable by pulling captive hinge pins
- Provisions on door for optional high-impact thermoplastic data pocket
- Seamless foam-in-place gasket
- Door latching system: latch installed on door with interlock mechanism on the disconnect handle for added safety; four quarter-turn latches also included
- Interlock bracket welded to door
- Unique integrated door handle with tool-to-open feature and padlock option installed on door
- Self-grounding latch system with double seal
- Bonding provision on door; grounding stud on body
- Includes hardware kit (consisting of padlocking door handle, panel mounting nuts, grounding hardware and sealing washers for mounting holes) and instructions for installing disconnects

INDUSTRY STANDARDS

Mounting brackets required to meet UL/cUL external mounting requirement.

UL 508A Listed; Type 3R, 4, 4X, 12; File No. E61997
 cUL Listed per CSA C22.2 No. 94; Type 3R, 4, 4X, 12; File No. E61997

NEMA/EEMAC Type 3R, 4, 4X, 12, 13
 IEC 60529, IP66
 Meets NEMA Type 3RX requirements

APPLICATION

For use in disconnect applications that require larger controls and stylized design features, CONCEPT Disconnect Enclosures feature four additional quarter-turn latches and a door-alignment device for secure closure and security.

Furnished with Enclosures:

1. Door interlock bracket welded to door
2. Door latching system: latch with disconnect interlock mechanism, along with four quarter-turn latches installed on door
3. Instructions to locate and install disconnect
4. Hardware kit consisting of padlocking door handle, panel mounting nuts, grounding hardware, and sealing washers for mounting holes

FINISH

Sides and body have smooth #4 brushed finish. Optional mild steel panels are painted white. Handle is die-cast with black textured polyester powder paint.

ACCESSORIES

See also *Accessories*.
 Blank Adapter Plates, Stainless Steel
 Compact Cooling Fans
 Mounting-Bracket Kits
 PANELITE Enclosure Lights Overview
 CONCEPT Panels
 Steel and Stainless Steel Window Kits

MODIFICATION AND CUSTOMIZATION

Hoffman excels at modifying and customizing products to your specifications. Contact your local Hoffman sales office or distributor for complete information.

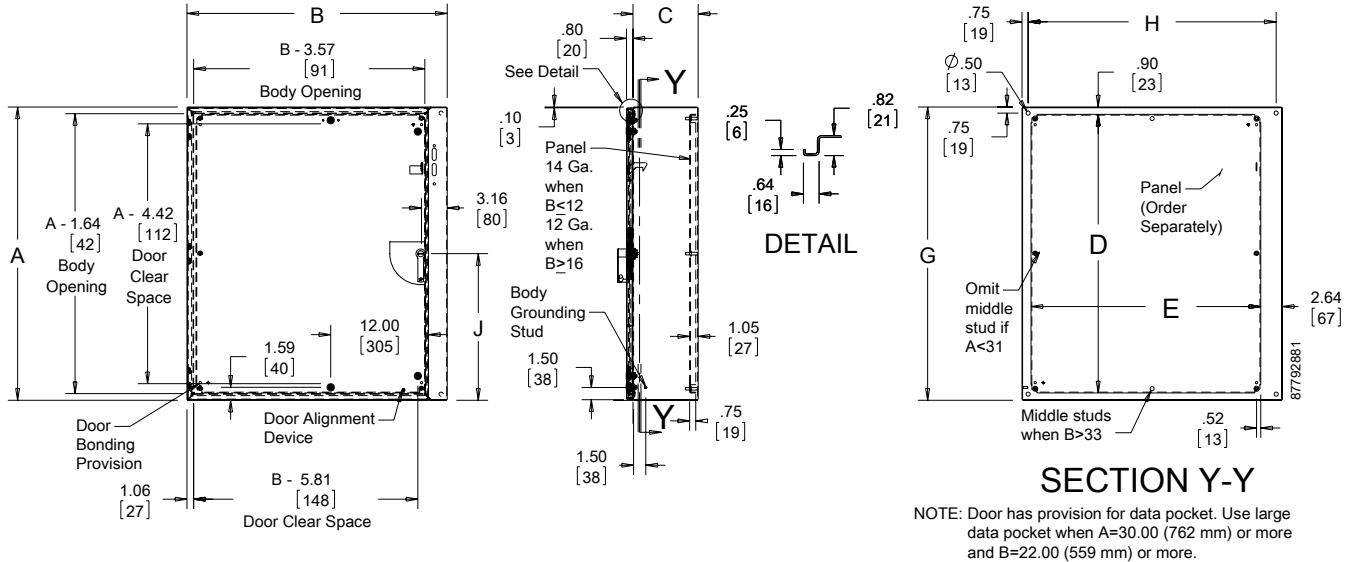
BULLETIN: CWSD

Standard Product

Catalog Number	AxBxC in.	AxBxC mm	CONCEPT Panel	Conductive Panel	Panel Size D x E (in.)	Panel Size D x E (mm)	Mounting G x H (in.)	Mounting G x H (mm)	J (in.)	J (mm)
CDSC36328SSR	36.00 x 32.00 x 8.00	914 x 813 x 203	CP3630	CP3630G	34.20 x 28.20	869 x 716	34.50 x 30.50	869 x 775	18.00	457
CDSC423212SSR	42.00 x 32.00 x 12.00	1067 x 813 x 305	CP4230	CP4230G	40.20 x 28.20	1021 x 716	40.50 x 30.50	1029 x 775	21.00	533
CDSC423812SSR	42.00 x 38.00 x 12.00	1067 x 965 x 305	CP4236	CP4236G	40.20 x 34.20	1021 x 869	40.50 x 36.50	1029 x 927	21.00	533
CDSC483812SSR	48.00 x 38.00 x 12.00	1219 x 965 x 305	CP4836	CP4836G	46.20 x 34.20	1173 x 869	46.50 x 36.50	1181 x 927	24.00	610
CDSC603812SSR	60.00 x 38.00 x 12.00	1524 x 965 x 305	CP6036	CP6036G	58.20 x 34.20	1478 x 869	58.50 x 36.50	1486 x 927	30.00	762

Enclosure doors have one latch with interlock mechanism, and four quarter-turn latches

Purchase panels separately. Optional plated CONCEPT panels available. Optional NEMA style and stainless steel panels require conversion kit catalog number CCPM4.



DISCONNECT MOUNTING SPACE

Disconnects will occupy space on panel shown by dimensions E1, F1 and G1. Wiring space W1 is available when disconnect is installed in the enclosure.

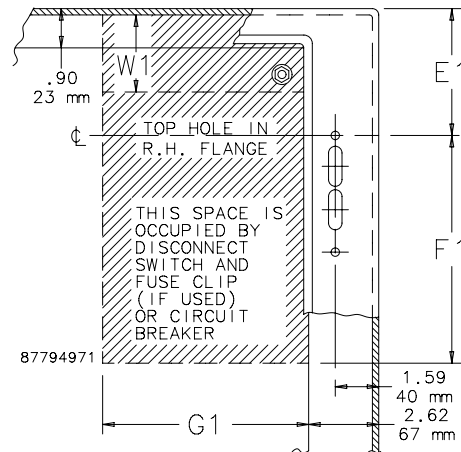
- E1 = 4.75 in. (121 mm) when C = 8.00 in. (203 mm)
- E1 = 11.62 in. (294 mm) when C = 16.00 in. (406 mm)
- W1 = Wiring Space.

See Technical Information for wire bend space.

Refer to **NATIONAL ELECTRICAL CODE, 2005** article 430-10(b) for wiring space required for line side conductors to be connected to disconnect.

Verify your application to determine whether wiring space is adequate.

Consult Space Occupied by Disconnect drawing to determine whether the disconnect device you are using will fit the enclosure size you have selected.



Consult disconnect manufacturer for F1 and G1 dimensions.



WALL-MOUNT DISCONNECT ENCLOSURE WITH CLAMPS, TYPE 4



SPECIFICATIONS

- 14 gauge steel
- Seams continuously welded and ground smooth
- External welded-on mounting brackets for easy installation
- External formed body flange channels away liquids
- Stainless steel screw-down clamps on three sides of door
- Removable door with continuous hinge for strength and ruggedness
- Removable heavy gauge continuous hinge pin
- Data pocket is high impact thermoplastic
- Type 4 rated door gasket
- Collar studs for mounting optional panels
- Holes in body for mounting disconnect operating handle and operating mechanism
- Bonding provision on door
- Bracket welded to door for attaching disconnect door catch (interlock)
- Installation instructions provided

FINISH

ANSI 61 gray polyester powder paint inside and out.

ACCESSORIES

See also *Accessories*.

Blank Adapter Plates, Mild Steel

Industrial Corrosion Inhibitors

Electric Heater

PANELITE Enclosure Lights Overview

Panels for Type 3R, 4, 4X, 12 and 13 Enclosures

MODIFICATION AND CUSTOMIZATION

Hoffman excels at modifying and customizing products to your specifications. Contact your local Hoffman sales office or distributor for complete information.

BULLETIN: A19

INDUSTRY STANDARDS

UL 508A Listed; Type 4, 12; File No. E61997
 cUL Listed per CSA C22.2 No. 94; Type 4, 12; File No. E61997

NEMA/EEMAC Type 3, 4, 12, 13

CSA File No. 42186: Type 4, 12

IEC 60529, IP66

APPLICATION

For disconnect applications in which a clamp-secured door is preferred. Clamps on three sides of the door keep liquid and contaminants out. Preferred cutout accepts major brand disconnect switches and circuit breakers.

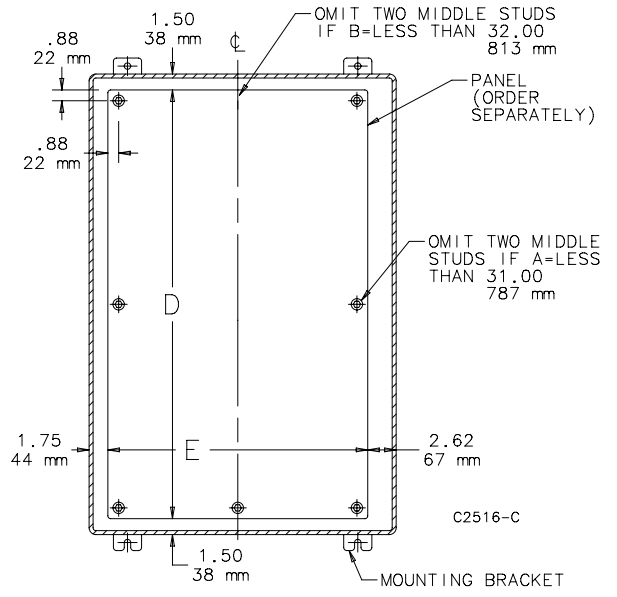
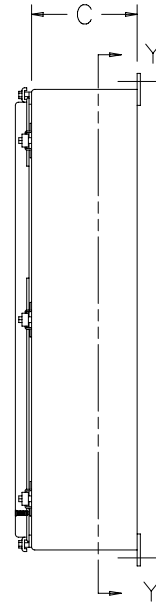
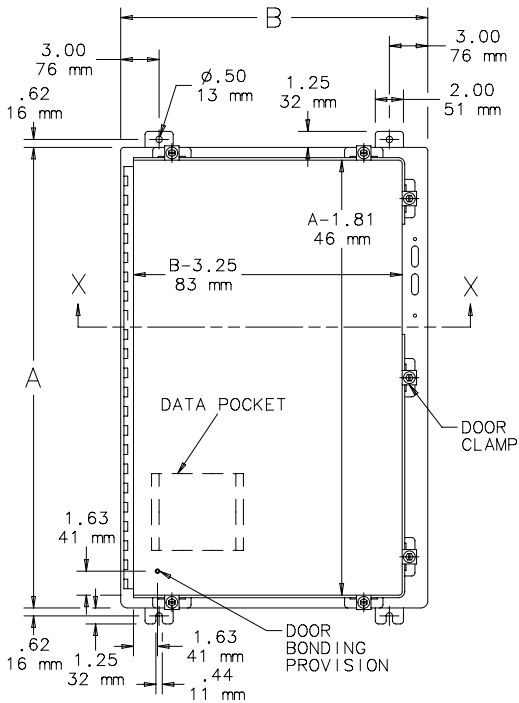
Furnished with Enclosures

1. Bracket welded to door for attaching disconnect door catch (interlock)
2. Instructions to locate and install disconnect switches, circuit breakers and operating mechanisms

Standard Product

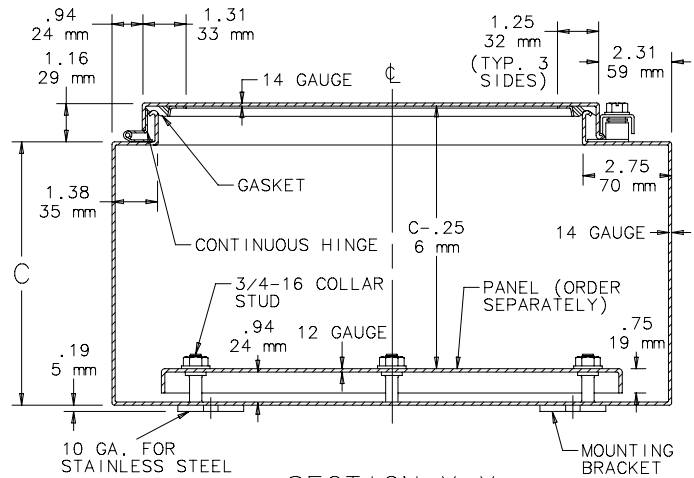
Catalog Number	AxBxC in./mm	Panel	Conductive Panel	Panel Size D x E in./mm	Data Pocket Size in./mm	Number of Clamps
A24HS2108LP	24.00 x 21.38 x 8.00 610 x 543 x 203	A24P20	A24P20G	21.00 x 17.00 533 x 432	6.00 x 6.00 152 x 152	5
A24HS2508LP	24.00 x 25.38 x 8.00 610 x 645 x 203	A24P24	A24P24G	21.00 x 21.00 533 x 533	6.00 x 6.00 152 x 152	5
A30HS2508LP	30.00 x 25.38 x 8.00 762 x 645 x 203	A30P24	A30P24G	27.00 x 21.00 686 x 533	12.00 x 12.00 305 x 305	5
A36HS2508LP	36.00 x 25.38 x 8.00 914 x 645 x 203	A36P24	A36P24G	33.00 x 21.00 838 x 533	12.00 x 12.00 305 x 305	5
A36HS3108LP	36.00 x 31.38 x 8.00 914 x 797 x 203	A36P30	A36P30G	33.00 x 27.00 838 x 686	12.00 x 12.00 305 x 305	7
A42HS3112LP	42.00 x 31.38 x 12.00 1067 x 797 x 305	A42P30	A42P30G	39.00 x 27.00 991 x 686	6.00 x 6.00 152 x 152	10
A42HS3712LP	42.00 x 37.38 x 12.00 1067 x 949 x 305	A42P36	A42P36G	39.00 x 33.00 991 x 838	12.00 x 12.00 305 x 305	10
A48HS3712LP	48.00 x 37.38 x 12.00 1219 x 949 x 305	A48P36	A48P36G	45.00 x 33.00 1143 x 838	12.00 x 12.00 305 x 305	10
A60HS3712LP	60.00 x 37.38 x 12.00 1524 x 949 x 305	A60P36	A60P36G	57.00 x 33.00 1448 x 838	12.00 x 12.00 305 x 305	11

Purchase panels separately.



SECTION Y-Y

NOTE: 1. 12 gauge panels have flanges along two sides when the side dimension is more than 21.00 inches (533mm). Panels A24P20 and A24P24 have flanges on four sides.



SECTION X-X



WALL-MOUNT DISCONNECT ENCLOSURE WITH CLAMPS, TYPE 4X



SPECIFICATIONS

- 14 gauge Type 304 or Type 316L stainless steel
- Seams continuously welded and ground smooth
- External mounting brackets
- External-formed flange around all sides of enclosure opening
- Stainless steel door clamps on three sides of door
- Door removed by pulling stainless steel continuous hinge pin
- Data pocket is high-impact thermoplastic
- Seamless foam-in-place gasket
- Collar studs provided for mounting optional panels
- Holes provided in body for mounting disconnect operating handle and operating mechanism
- Bonding provision on door; ground stud on body
- All exterior hardware on Type 316L enclosures matches the enclosure material
- Bracket welded to door to attach disconnect door catch (interlock)
- Includes instructions for installing disconnect switches, circuit breakers and operating mechanisms

FINISH

Sides and body have smooth #4 brushed finish.

ACCESSORIES

See also *Accessories*.

Blank Adapter Plates, Stainless Steel

Industrial Corrosion Inhibitors

Electric Heater

PANELITE Enclosure Lights Overview

Panels for Type 3R, 4, 4X, 12 and 13 Enclosures

Terminal Block Kit Assembly for Type 4, 12 and 13 Enclosures

Steel and Stainless Steel Window Kits

MODIFICATION AND CUSTOMIZATION

Hoffman excels at modifying and customizing products to your specifications. Contact your local Hoffman sales office or distributor for complete information.

BULLETIN: A19S

INDUSTRY STANDARDS

UL 508A Listed; Type 3R, 4, 4X, 12; File No. E61997
 cUL Listed per CSA C22.2 No. 94; Type 3R, 4, 4X, 12; File No. E61997

NEMA/EEMAC Type 3, 3R, 4, 4X, 12, 13

CSA File No. 42186: Type 4, 4X, 12

IEC 60529, IP66

Meets NEMA Type 3RX requirements

APPLICATION

For disconnect applications in which a clamp-secured door is preferred, this enclosure features clamps on three sides to keep liquids and contaminants from entering and a preferred cutout that accepts major brand disconnect switches and circuit breakers.

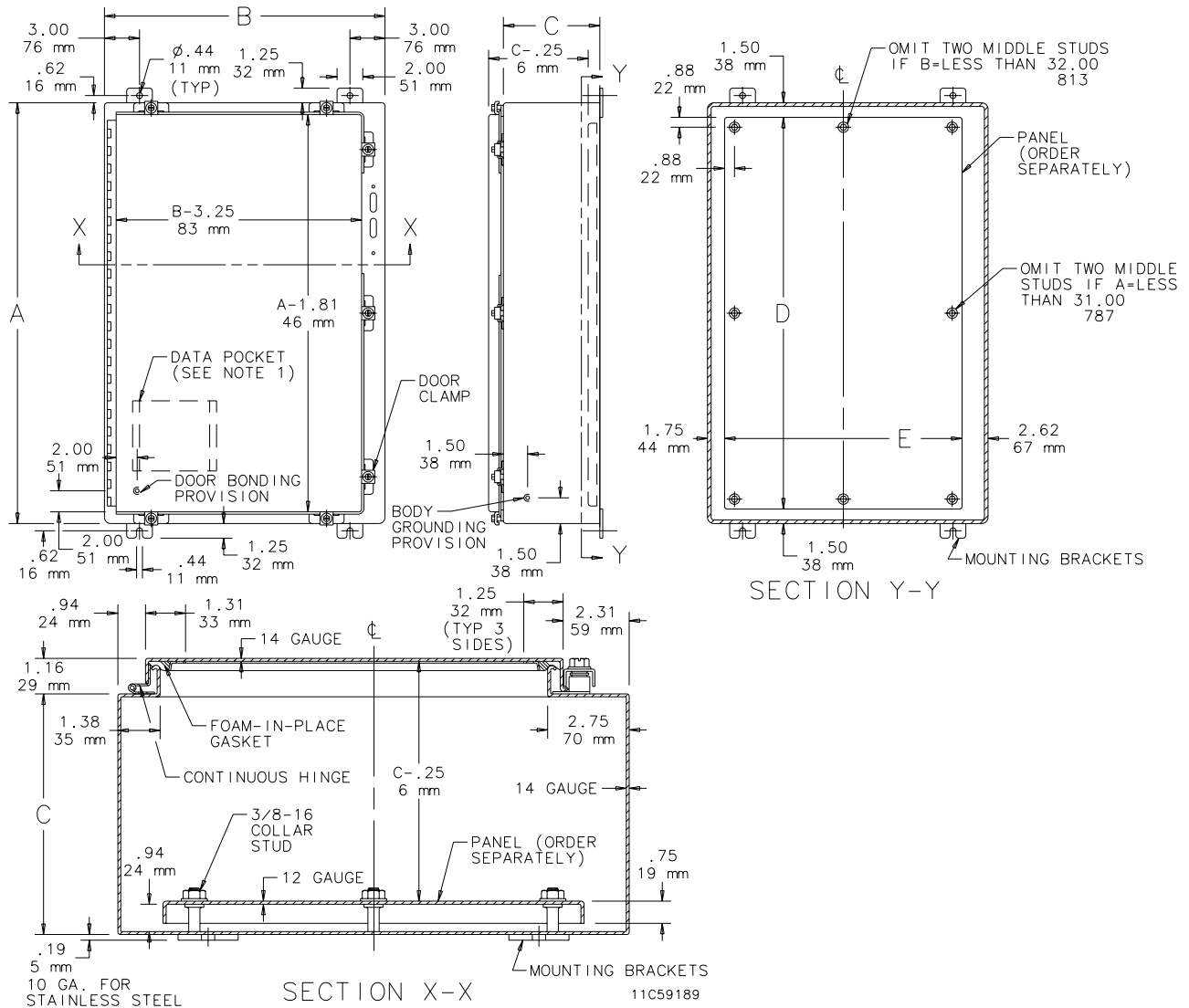
Furnished with Enclosure

1. Bracket welded to door for attaching disconnect door catch (interlock)
2. Instructions to locate and install disconnect switches, circuit breakers and operating mechanisms

Standard Product

Catalog Number	AxBxC in.	AxBxC mm	Stainless Steel		Conductive Panel	Panel Size D x E (in.)	Panel Size D x E (mm)	Data Pocket Size (in.)	Data Pocket Size (mm)	Number of Clamps
			Type	Panel						
A24HS2108SSLP	24.00 x 21.38 x 8.00	610 x 543 x 203	304	A24P20	A24P20G	21.00 x 17.00	533 x 432	6.00 x 6.00	152 x 152	5
A24HS2108SS6LP	24.00 x 21.38 x 8.00	610 x 543 x 203	316L	A24P20	A24P20G	21.00 x 17.00	533 x 432	6.00 x 6.00	152 x 152	5
A24HS2508SSLP	24.00 x 25.38 x 8.00	610 x 645 x 203	304	A24P24	A24P24G	21.00 x 21.00	533 x 533	6.00 x 6.00	152 x 152	5
A24HS2508SS6LP	24.00 x 25.38 x 8.00	610 x 645 x 203	316L	A24P24	A24P24G	21.00 x 21.00	533 x 533	6.00 x 6.00	152 x 152	5
A30HS2508SSLP	30.00 x 25.38 x 8.00	762 x 645 x 203	304	A30P24	A30P24G	27.00 x 21.00	686 x 533	12.00 x 12.00	305 x 305	5
A30HS2508SS6LP	30.00 x 25.38 x 8.00	762 x 645 x 203	316L	A30P24	A30P24G	27.00 x 21.00	686 x 533	12.00 x 12.00	305 x 305	5
A36HS2508SSLP	36.00 x 25.38 x 8.00	914 x 645 x 203	304	A36P24	A36P24G	33.00 x 21.00	838 x 533	12.00 x 12.00	305 x 305	5
A36HS2508SS6LP	36.00 x 25.38 x 8.00	914 x 645 x 203	316L	A36P24	A36P24G	33.00 x 21.00	838 x 533	12.00 x 12.00	305 x 305	5
A36HS3108SSLP	36.00 x 31.38 x 8.00	914 x 797 x 203	304	A36P30	A36P30G	33.00 x 27.00	838 x 686	12.00 x 12.00	305 x 305	7
A36HS3108SS6LP	36.00 x 31.38 x 8.00	914 x 797 x 203	316L	A36P30	A36P30G	33.00 x 27.00	838 x 686	12.00 x 12.00	305 x 305	7
A42HS3112SSLP	42.00 x 31.38 x 12.00	1067 x 797 x 305	304	A42P30	A42P30G	39.00 x 27.00	991 x 686	12.00 x 12.00	305 x 305	10
A42HS3112SS6LP	42.00 x 31.38 x 12.00	1067 x 797 x 305	316L	A42P30	A42P30G	39.00 x 27.00	991 x 686	12.00 x 12.00	305 x 305	10
A42HS3712SSLP	42.00 x 37.38 x 12.00	1067 x 949 x 305	304	A42P36	A42P36G	39.00 x 33.00	991 x 838	12.00 x 12.00	305 x 305	10
A42HS3712SS6LP	42.00 x 37.38 x 12.00	1067 x 949 x 305	316L	A42P36	A42P36G	39.00 x 33.00	991 x 838	12.00 x 12.00	305 x 305	10
A48HS3712SSLP	48.00 x 37.38 x 12.00	1219 x 949 x 305	304	A48P36	A48P36G	45.00 x 33.00	1143 x 838	12.00 x 12.00	305 x 305	10
A48HS3712SS6LP	48.00 x 37.38 x 12.00	1219 x 949 x 305	316L	A48P36	A48P36G	45.00 x 33.00	1143 x 838	12.00 x 12.00	305 x 305	10
A60HS3712SSLP	60.00 x 37.38 x 12.00	1524 x 949 x 305	304	A60P36	A60P36G	57.00 x 33.00	1448 x 838	12.00 x 12.00	305 x 305	11
A60HS3712SS6LP	60.00 x 37.38 x 12.00	1524 x 949 x 305	316L	A60P36	A60P36G	57.00 x 33.00	1448 x 838	12.00 x 12.00	305 x 305	11

Purchase panels separately. Optional stainless steel, composite or aluminum panels are available for most sizes



DISCONNECT MOUNTING SPACE

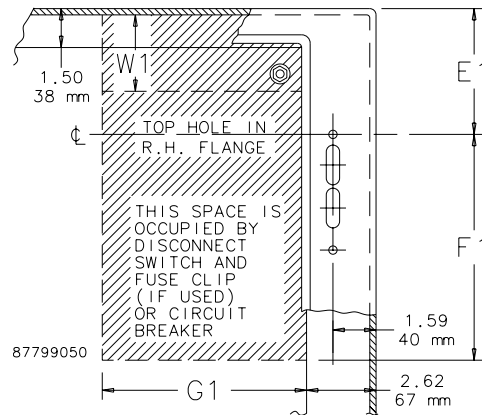
Disconnects will occupy space on panel shown by dimensions E1, F1, and G1. Wiring space W1 is available when disconnect is installed in the enclosure.

- E1 = 8.62 in. (219 mm) when C = 8.00 in. (203 mm)
- E1 = 11.62 in. (294 mm) when C = 12.00 in. (305 mm)
- W1 = Wiring Space

Refer to **NATIONAL ELECTRICAL CODE, 2005** article 430-10(b) for wiring space required for line side conductors to be connected to disconnect.

Verify your application to determine whether wiring space is adequate.

Consult Space Occupied by Disconnect drawing to determine whether the disconnect device you are using will fit the enclosure size you have selected.



Consult disconnect manufacturer for F1 and G1 dimensions.



FIBERGLASS DISCONNECT, TYPE 4X

SPECIFICATIONS

- Fiberglass-reinforced material has excellent temperature and chemical resistance qualities and exhibits outstanding physical properties
- Seams are sealed; no holes or knockouts
- Gasket assures water-tight and dust-tight seal
- Fiberglass material is easily drilled, filed or sawed
- Hinges are fiberglass-reinforced polyester
- Doors are secured with Type 304 stainless steel slotted quarter-turn latches
- Data pocket is high-impact thermoplastic
- Copper flashed steel collar studs for mounting optional panels and terminal block kits
- Holes provided in body for mounting disconnect operating handle and operating mechanism
- Internal grounding provisions for quarter-turn latches
- Includes bracket affixed to door for attaching disconnect door catch (interlock) and instructions for installing disconnects
- Material is halogen free

FINISH

Standard fiberglass material is light-gray inside and out. Optional steel panels are painted white. Optional stainless steel, aluminum, conductive and composite panels are unpainted.

ACCESSORIES

See also *Accessories*.

Frameless Window Kit

Panels for Type 3R, 4, 4X, 12 and 13 Enclosures

Steel and Stainless Steel Window Kits

Terminal Block Kit Assembly for Type 4, 12 and 13 Enclosures

MODIFICATION AND CUSTOMIZATION

Hoffman excels at modifying and customizing products to your specifications. Contact your local Hoffman sales office or distributor for complete information.

BULLETIN: A17WD
INDUSTRY STANDARDS

UL 508A Listed; Type 3, 3R, 4, 4X, 12, 13; File No. E61997
 cUL Listed per CSA C22.2 No. 94; Type 3, 3R, 4, 4X, 12, 13; File No. E61997
 Enclosure flammability evaluated per UL 508A

NEMA/EEMAC Type 3, 3R, 4, 4X, 12, 13

IEC 60529, IP66

Meets NEMA Type 3RX requirements

APPLICATION

For effective and economical disconnect protection in the harshest corrosive environments, these enclosures provide secure door closure through the use of Type 304 stainless steel slotted quarter-turn latches.

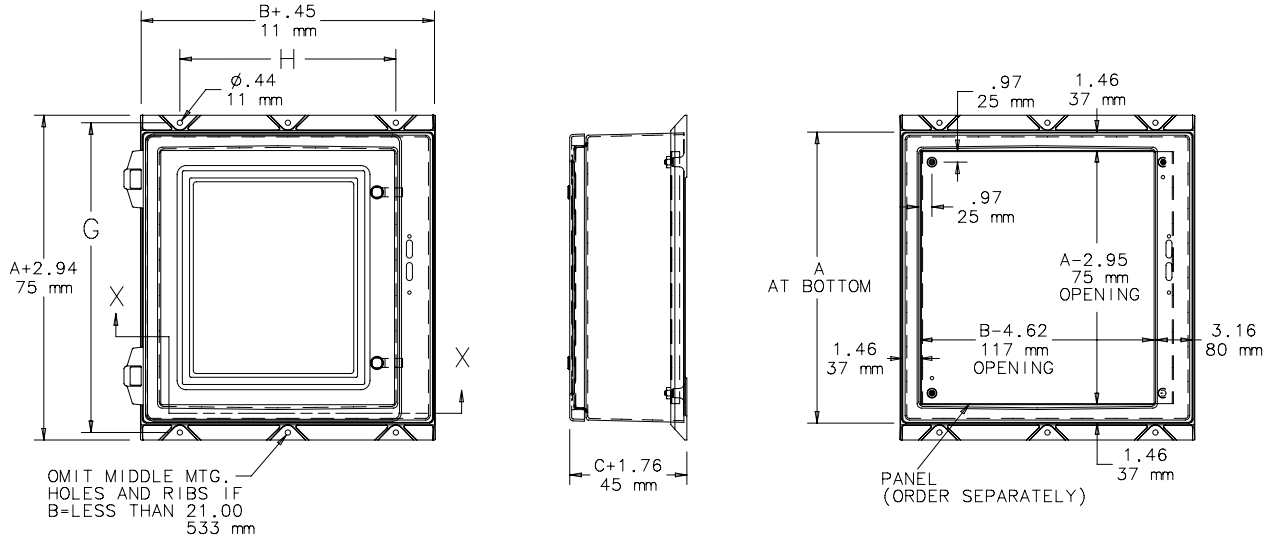
Standard Product

Catalog Number	AxBxC in./mm	Panel	Conductive Panel	Panel Size in./mm	Mounting G x H in./mm	Number of Latches
A20HS1610GQRLP	20.19 x 16.25 x 10.00 513 x 413 x 254	A20P16	A20P16G	17.00 x 13.00 432 x 330	21.81 x 10.00 554 x 254	2
A24HS2008GQRLP	24.25 x 20.25 x 8.00 616 x 514 x 203	A24P20	A24P20G	21.00 x 17.00 533 x 432	25.86 x 14.00 657 x 356	2
A24HS2408GQRLP	24.19 x 24.19 x 8.00 614 x 614 x 203	A24P24	A24P24G	21.00 x 21.00 533 x 533	25.81 x 18.00 656 x 457	2
A24HS2412GQRLP	24.19 x 24.19 x 12.00 614 x 614 x 305	A24P24	A24P24G	21.00 x 21.00 533 x 533	25.81 x 18.00 656 x 457	2
A30HS2412GQRLP	30.25 x 24.25 x 12.00 768 x 616 x 305	A30P24	A30P24G	27.00 x 21.00 686 x 533	31.95 x 18.00 812 x 457	2
A36HS3012GQRLP	36.25 x 30.25 x 12.00 921 x 768 x 305	A36P30	A36P30G	33.00 x 27.00 838 x 686	37.58 x 24.00 955 x 610	4
A48HS3612GQRLP	48.25 x 36.25 x 12.00 1226 x 921 x 305	A48P36	A48P36G	45.00 x 33.00 1143 x 838	49.58 x 30.00 1259 x 762	5
A60HS3612GQRLP	60.25 x 36.31 x 12.00 1530 x 922 x 305	A60P36	A60P36G	57.00 x 33.00 1448 x 838	61.58 x 30.00 1564 x 762	5

Purchase panels separately. Optional stainless steel, composite and aluminum panels available for most sizes. See General Accessories.

No additional "C" dimensions available.

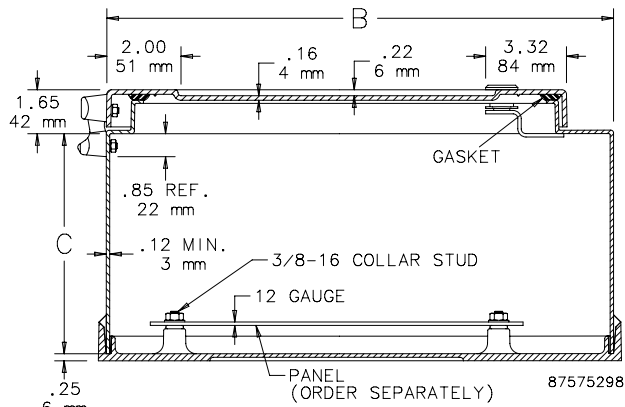
Fiberglass Disconnect, Type 4X, 30 x 24 or Smaller Drawing



FRONT VIEW WITH DOOR

SIDE VIEW

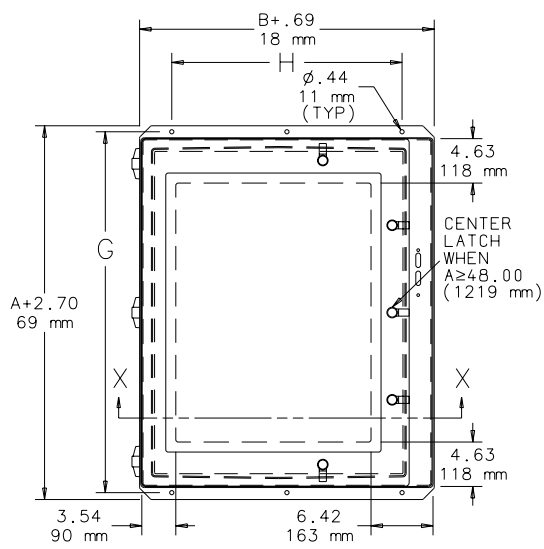
FRONT VIEW DOOR REMOVED



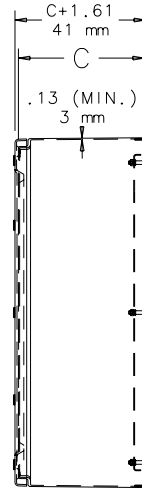
SECTION X-X



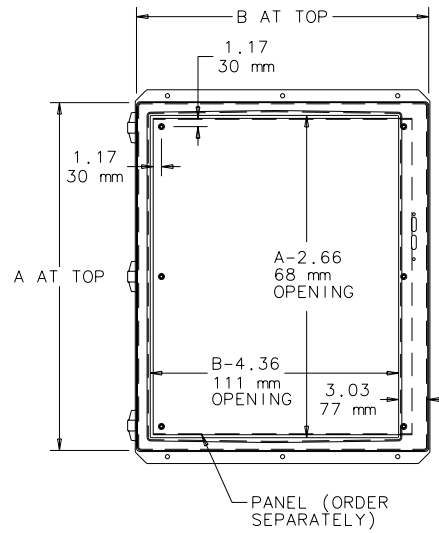
Fiberglass Disconnect, Type 4X, 36 x 30 or Larger Drawing



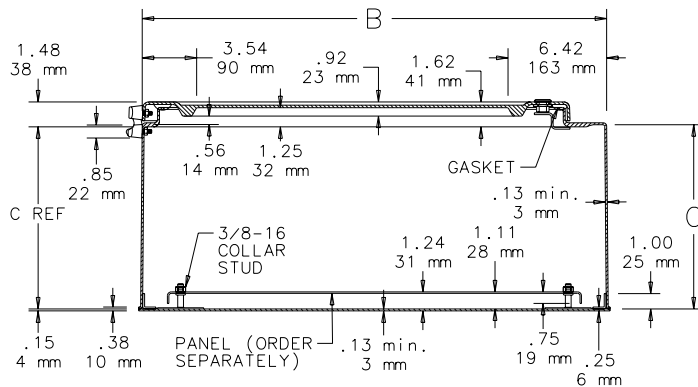
FRONT VIEW WITH DOOR



SIDE VIEW



FRONT VIEW DOOR REMOVED



SECTION X-X

87575484

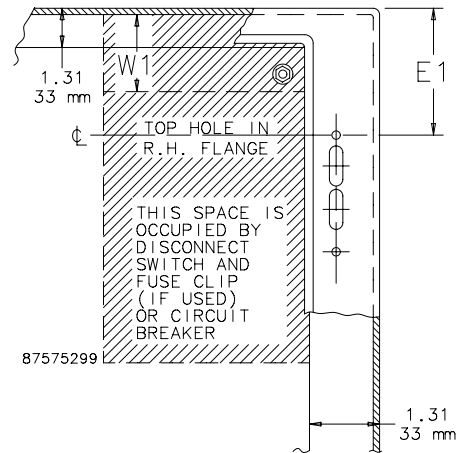
- NOTE:
1. Large data pocket provision when $A=30.00$ (762mm) or more. Data pocket is furnished but not installed. Large data pocket is 12.00 x 12.00 (305mm x 305mm); small data pocket is 6.00 x 6.00 (152mm x 152mm).
 2. Internal grounding provisions on the latch side(s) of the internal body Flange.

DISCONNECT MOUNTING SPACE

Disconnects will occupy space on panel shown in Disconnect Mounting Space Diagram. Wiring space W1 is available when disconnect is installed in the enclosure.
 E1 = 8.62 in. (219 mm) when A < 30.00 in. (768 mm) and C = 8.00 in. (203 mm), 10.00 in. (254 mm) or 12.00 in. (305 mm)
 E1 = 11.62 in. (295 mm) when A > 30.00 in. (768 mm) and C = 12.00 in. (305 mm)
 W1 = Wiring Space.

See *Technical Information for wire bend space.*
 Refer to *National Electrical Code®* 2005 article 430-10(b) for wiring space required for line side conductors to be connected to disconnect.

Verify your application to determine whether wiring space is adequate.



Consult disconnect manufacturer for F1 and G1 dimensions.



LOW-PROFILE WALL-MOUNT AND FREE-STAND DISCONNECT ENCLOSURE, TYPE 12

SPECIFICATIONS

- .074-in., .098-in. or .121-in. steel
- Seams continuously welded and ground smooth
- Body stiffeners in larger enclosures for extra rigidity
- External formed body flange channels away liquids
- Heavy duty lifting eyes anchor into reinforced top on larger models
- Removable centerposts for easy panel installation
- Removable door with hidden hinges
- Rugged POWERGLUIDE handle; 2-point latch on enclosures up to 36 in. (914 mm); 3-point latch on enclosures 42 in. (1067 mm) and above
- Oil-resistant gasket
- Removable .127-in. thick steel panels mount on collar studs; purchase panels separately
- Master door is far right-hand door on all enclosures
- Defeater on master door requires a screwdriver to open
- Mechanical interlock activated by master door prevents slave doors from being opened first; doors can be closed in any order
- Preferred cutout on right flange provides mounting for most disconnect switches and circuit breakers
- Enclosures with three to five doors have three stiffeners on rear of body

INDUSTRY STANDARDS

UL 508A Listed; Type 12; File No. E61997
 cUL Listed per CSA C22.2 No. 94; Type 12; File No. E61997

NEMA/EEMAC Type 12
 IEC 60529, IP55

APPLICATION

Available in one- to four-door wall-mount and one- to five-door free-stand models, the larger wall-mount sizes accommodate more components and are ideal for applications with limited floor space. Free-stand enclosures are 48- and 60-in. high to provide a clear line of site above the enclosure.

FINISH

ANSI 61 gray polyester powder paint inside and out.
 Optional panels have white or conductive finish.

ACCESSORIES

See also Accessories.
 Electric Heater
 INTERSAFE Data Interface Ports, Type 4/4X/12
 PANELITE Enclosure Lights Overview
 Panels for A26 Low-Profile Type 12 Disconnect Enclosures
 Steel and Stainless Steel Window Kits

MODIFICATION AND CUSTOMIZATION

Hoffman excels at modifying and customizing products to your specifications. Contact your local Hoffman sales office or distributor for complete information.

BULLETIN: A26M1, A26M2, A26MM

Standard Product Low Profile Type 12 One-Door Disconnect Enclosures

Catalog Number	AxBxC in.	AxBxC mm	Description	Body Thickness (in.)	Panel	Conductive Panel	Panel Qty.	Lifting Eyes
A30X1E2808	30.00 x 28.25 x 8.00	762 x 718 x 203	Wall-Mount	.074	A25P21	A25P21G	1	0
A30X1E2810	30.00 x 28.25 x 10.00	762 x 718 x 254	Wall-Mount	.074	A25P21	A25P21G	1	0
A36X1E2808	36.00 x 28.25 x 8.00	914 x 718 x 203	Wall-Mount	.074	A31P21	A31P21G	1	0
A36X1E2810	36.00 x 28.25 x 10.00	914 x 718 x 254	Wall-Mount	.074	A31P21	A31P21G	1	0
A42X1E2808	42.00 x 28.25 x 8.00	1067 x 718 x 203	Wall-Mount	.074	A37P21	A37P21G	1	0
A42X1E2810	42.00 x 28.25 x 10.00	1067 x 718 x 254	Wall-Mount	.074	A37P21	A37P21G	1	0
A48X1E4010	48.00 x 40.25 x 10.00	1219 x 1022 x 254	Free-Stand	.098	A42P33	A42P33G	1	2
A48X1E4024	48.00 x 40.25 x 24.00	1219 x 1022 x 610	Free-Stand	.098	A42P33	A42P33G	1	2
A48X1E4018	48.00 x 40.25 x 18.00	1220 x 1023 x 457	Free-Stand	.098	A42P33	A42P33G	1	2
A60X1E4008	60.00 x 40.25 x 8.00	1524 x 1022 x 203	Free-Stand	.098	A54P33	A54P33G	1	2
A60X1E4010	60.00 x 40.25 x 10.00	1524 x 1022 x 254	Free-Stand	.098	A54P33	A54P33G	1	2
A60X1E4018	60.00 x 40.25 x 18.00	1525 x 1023 x 457	Free-Stand	.098	A54P33	A54P33G	1	2
A60X1E4024	60.00 x 40.25 x 24.00	1525 x 1023 x 610	Free-Stand	.098	A54P33	A54P33G	1	2

Purchase panels separately.

Standard Product **Low Profile Type 12 Two-Door Disconnect Enclosures**

Catalog Number	AxBxC in.	AxBxC mm	Description	Body Thickness (in.)	Panel	Conductive Panel	Panel Qty.	Body Stiffener	Lifting Eyes
A30X2E5408	30.00 x 54.50 x 8.00	762 x 1384 x 203	Wall-Mount	.098	A25P48	A25P48G	1	0	0
A30X2E5410	30.00 x 54.50 x 10.00	762 x 1384 x 254	Wall-Mount	.098	A25P48	A25P48G	1	0	0
A36X2E5408	36.00 x 54.50 x 8.00	914 x 1384 x 203	Wall-Mount	.098	A31P48	A31P48G	1	0	0
A36X2E5410	36.00 x 54.50 x 10.00	914 x 1384 x 254	Wall-Mount	.098	A31P48	A31P48G	1	0	0
A42X2E5408	42.00 x 54.50 x 8.00	1067 x 1384 x 203	Wall-Mount	.098	A37P48	A37P48G	1	0	0
A42X2E5410	42.00 x 54.50 x 10.00	1067 x 1384 x 254	Wall-Mount	.098	A37P48	A37P48G	1	0	0
A48X2E7808	48.00 x 78.50 x 8.00	1219 x 1994 x 203	Free-Stand	.098	A42P72	A42P72G	1	0	2
A48X2E7810	48.00 x 78.50 x 10.00	1219 x 1994 x 254	Free-Stand	.098	A42P72	A42P72G	1	0	2
A48X2E7812	48.00 x 78.50 x 12.00	1219 x 1994 x 305	Free-Stand	.098	A42P72	A42P72G	1	0	2
A48X2E7818	48.00 x 78.50 x 18.00	1219 x 1994 x 457	Free-Stand	.098	A42P72	A42P72G	1	0	2
A48X2E7824	48.00 x 78.50 x 24.00	1219 x 1994 x 610	Free-Stand	.098	A42P72	A42P72G	1	0	2
A60X2E7808	60.00 x 78.50 x 8.00	1524 x 1994 x 203	Free-Stand	.098	A54P72	A54P72G	1	0	2
A60X2E7810	60.00 x 78.50 x 10.00	1524 x 1994 x 254	Free-Stand	.098	A54P72	A54P72G	1	0	2
A60X2E7818	60.00 x 78.50 x 18.00	1524 x 1995 x 457	Free-Stand	.098	A54P72	A54P72G	1	0	2
A60X2E7824	60.00 x 78.50 x 24.00	1524 x 1994 x 610	Free-Stand	.098	A54P72	A54P72G	1	0	2

Purchase panels separately.

Standard Product **Low Profile Type 12 Three-Door Disconnect Enclosures**

Catalog Number	AxBxC in.	AxBxC mm	Description	Body Thickness (in.)	Panel	Conductive Panel	Panel Qty.	Body Stiffener	Lifting Eyes
A30X3E8310	30.00 x 82.25 x 10.00	762 x 2089 x 254	Wall-Mount	.098	A25P21, A25P48	A25P21G, A25P48G	1, 1	0	2
A36X3E8310	36.00 x 82.25 x 10.00	914 x 2089 x 254	Wall-Mount	.098	A31P21, A31P48	A31P21G, A31P48G	1, 1	0	2
A42X3E8310	42.00 x 82.25 x 10.00	1067 x 2089 x 254	Wall-Mount	.098	A37P21, A37P48	A37P21G, A37P48G	1, 1	0	2
A48X3E11910	48.00 x 118.25 x 10.00	1219 x 3004 x 254	Free-Stand	.098	A42P33, A42P72	A42P33G, A42P72G	1, 1	3	2
A48X3E11912	48.00 x 118.25 x 12.00	1219 x 3004 x 305	Free-Stand	.098	A42P33, A42P72	A42P33G, A42P72G	1, 1	3	2
A48X3E11918	48.00 x 118.25 x 18.00	1219 x 3004 x 457	Free-Stand	.098	A42P33, A42P72	A42P33G, A42P72G	1, 1	3	2
A60X3E11910	60.00 x 118.25 x 10.00	1524 x 3004 x 254	Free-Stand	.098	A54P33, A54P72	A54P33G, A54P72G	1, 1	3	2
A60X3E11912	60.00 x 118.25 x 12.00	1524 x 3004 x 305	Free-Stand	.098	A54P33, A54P72	A54P33G, A54P72G	1, 1	3	2
A60X3E11918	60.00 x 118.25 x 18.00	1524 x 3004 x 457	Free-Stand	.098	A54P33, A54P72	A54P33G, A54P72G	1, 1	3	2
A60X3E11924	60.00 x 118.25 x 24.00	1524 x 3004 x 610	Free-Stand	.098	A54P33, A54P72	A54P33G, A54P72G	1, 1	3	2

Purchase panels separately.

Standard Product **Low Profile Type 12 Four-Door Disconnect Enclosures**

Catalog Number	AxBxC in.	AxBxC mm	Description	Body Thickness (in.)	Panel	Conductive Panel	Panel Qty.	Body Stiffener	Lifting Eyes
A42X4E10810	42.00 x 108.50 x 10.00	1067 x 2756 x 254	Wall-Mount	.121	A37P48	A37P48G	2	0	4
A48X4E15710	48.00 x 156.50 x 10.00	1219 x 3975 x 254	Free-Stand	.121	A42P72	A42P72G	2	3	4
A48X4E15712	48.00 x 156.50 x 12.00	1219 x 3975 x 305	Free-Stand	.121	A42P72	A42P72G	2	3	4
A48X4E15718	48.00 x 156.50 x 18.00	1219 x 3977 x 457	Free-Stand	.121	A42P72	A42P72G	2	3	4
A60X4E15710	60.00 x 156.50 x 10.00	1524 x 3975 x 254	Free-Stand	.121	A54P72	A54P72G	2	3	4
A60X4E15712	60.00 x 156.50 x 12.00	1524 x 3975 x 305	Free-Stand	.121	A54P72	A54P72G	2	3	4
A60X4E15716	60.00 x 156.50 x 16.00	1524 x 3975 x 406	Free-Stand	.121	A54P72	A54P72G	2	3	4
A60X4E15718	60.00 x 156.50 x 18.00	1524 x 3975 x 457	Free-Stand	.121	A54P72	A54P72G	2	3	4

Purchase panels separately.

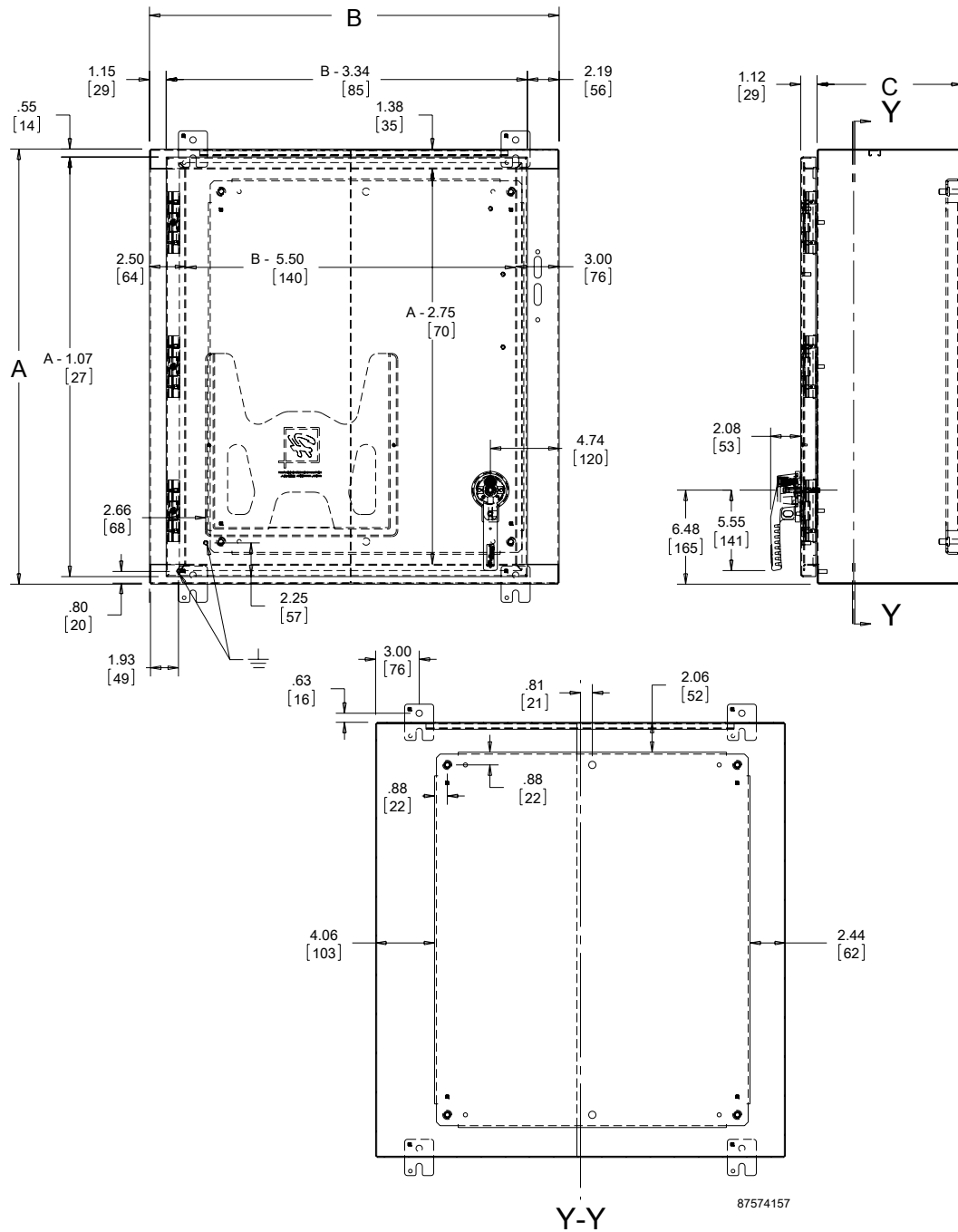
Standard Product **Low Profile Type 12 Five-Door Disconnect Enclosures**

Catalog Number	AxBxC in.	AxBxC mm	Description	Body Thickness (in.)	Panel	Conductive Panel	Panel Qty.	Body Stiffener	Lifting Eyes
A48X5E19612	48.00 x 196.25 x 12.00	1219 x 4985 x 305	Free-Stand	.121	A42P33, A42P72	A42P33G, A42P72G	1, 2	3	4
A48X5E19618	48.00 x 196.25 x 18.00	1219 x 4985 x 457	Free-Stand	.121	A42P33, A42P72	A42P33G, A42P72G	1, 2	3	4
A60X5E19610	60.00 x 196.25 x 10.00	1524 x 4985 x 254	Free-Stand	.121	A54P33, A54P72	A54P33G, A54P72G	1, 2	3	4
A60X5E19612	60.00 x 196.25 x 12.00	1524 x 4985 x 305	Free-Stand	.121	A54P33, A54P72	A54P33G, A54P72G	1, 2	3	4
A60X5E19616	60.00 x 196.25 x 16.00	1524 x 4985 x 406	Free-Stand	.121	A54P33, A54P72	A54P33G, A54P72G	1, 2	3	8
A60X5E19618	60.00 x 196.25 x 18.00	1524 x 4985 x 457	Free-Stand	.121	A54P33, A54P72	A54P33G, A54P72G	1, 2	3	8

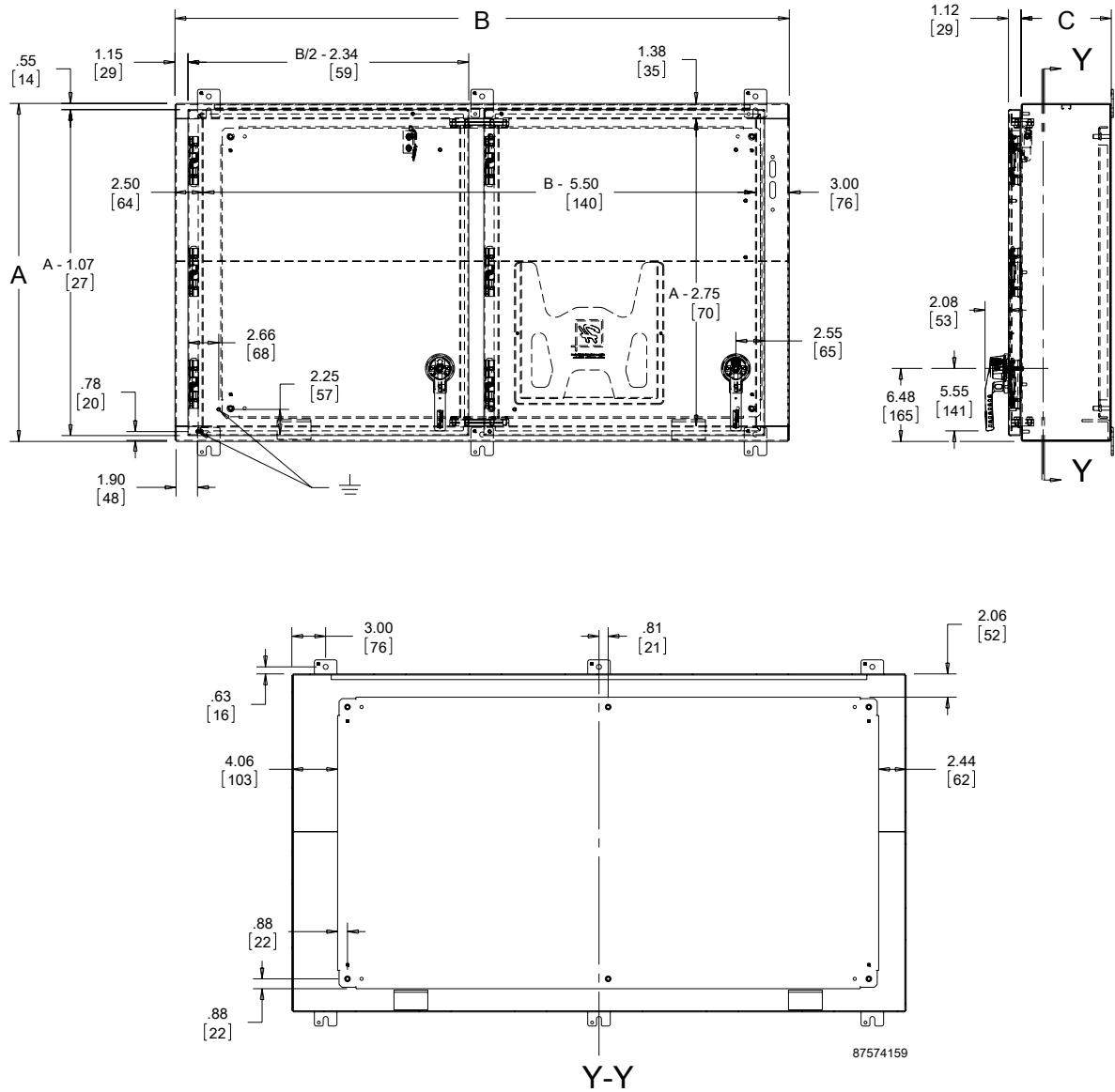
Purchase panels separately.



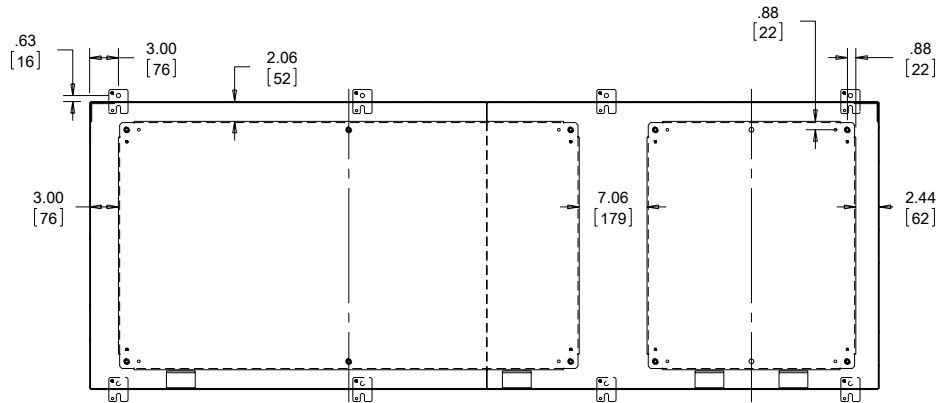
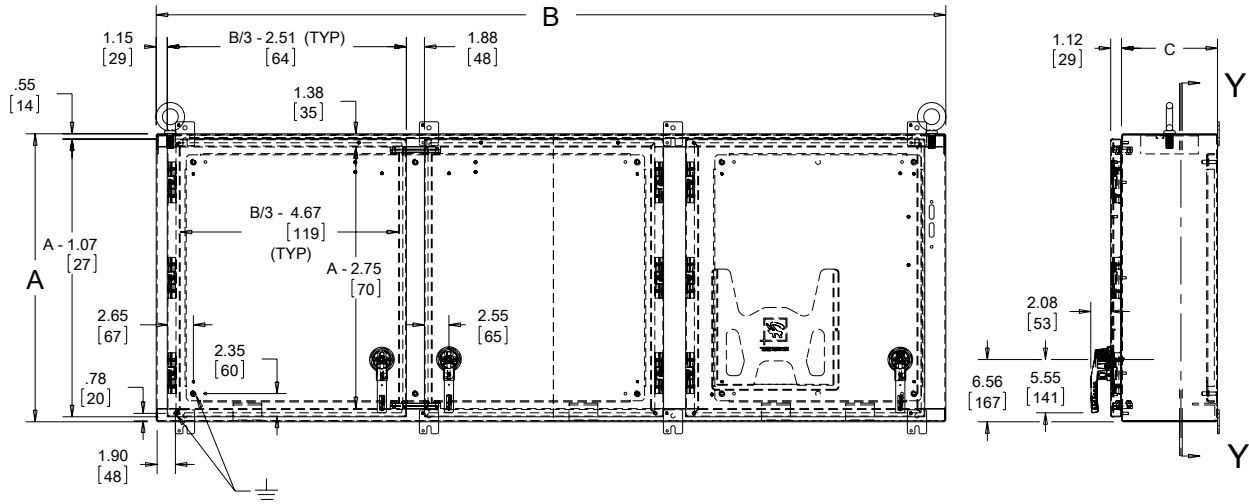
Single-Door Enclosures



Two-Door Enclosure



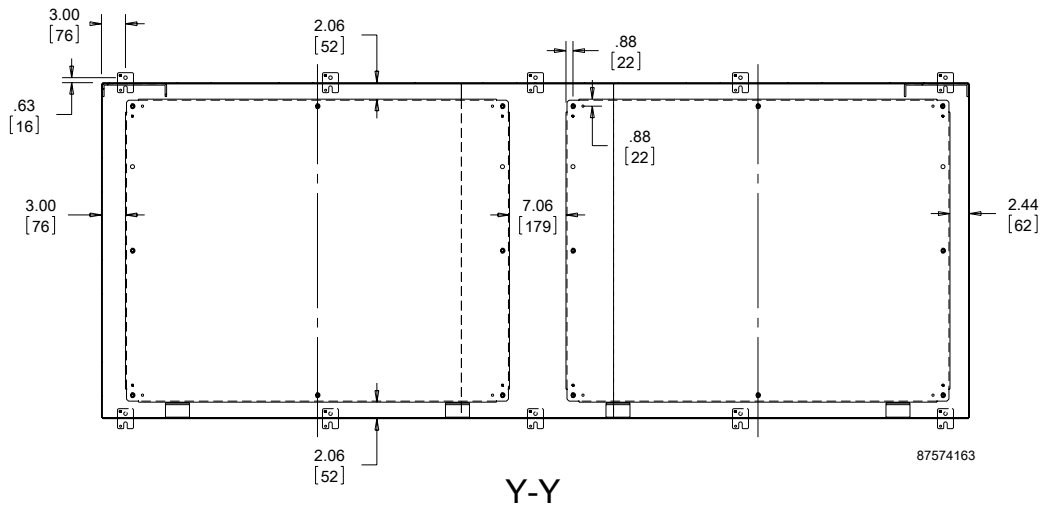
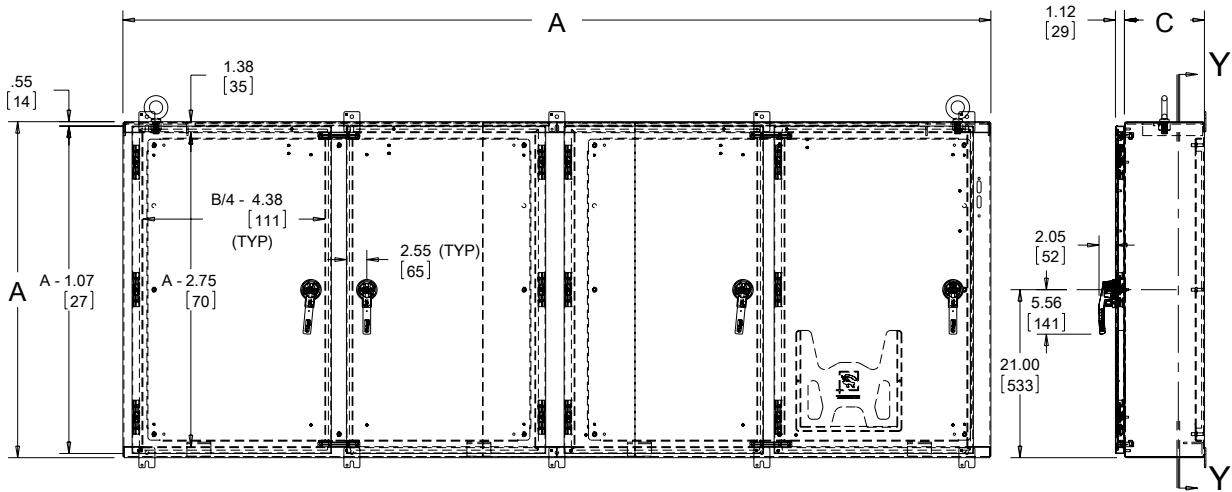
Three-Door Enclosure



87574161

Y-Y

Four-Door Enclosure



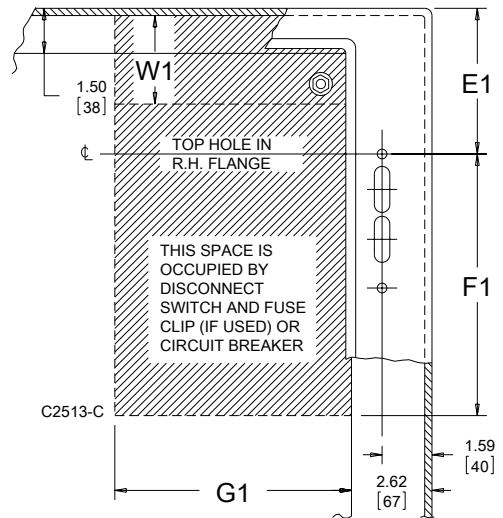
DISCONNECT MOUNTING SPACE

Disconnects will occupy space on panel shown by dimensions E1, F1 and G1 in Disconnect Mounting Space diagram. Wiring space W1 is available when disconnect is installed in the enclosure.
 E1 = 4.75 in. (121 mm) when C = 8.00 in. (203 mm)
 E1 = 7.09 in. (180 mm) when C = 10.00 in. (254 mm)
 E1 = 11.62 in. (294 mm) when C = 12.00 in. (305 mm)
 E1 = 11.62 in. (294 mm) when C = 16.00 in. (406 mm)
 E1 = 18.38 in. (467 mm) for A60SA3812A24LP
 W1 = Wiring Space.

See Technical Information for wire bend space.

Refer to **NATIONAL ELECTRICAL CODE 2005** article 430.10(B) for wiring space required for line side conductors to be connected to disconnect.

Verify your application to determine if wiring space is adequate.



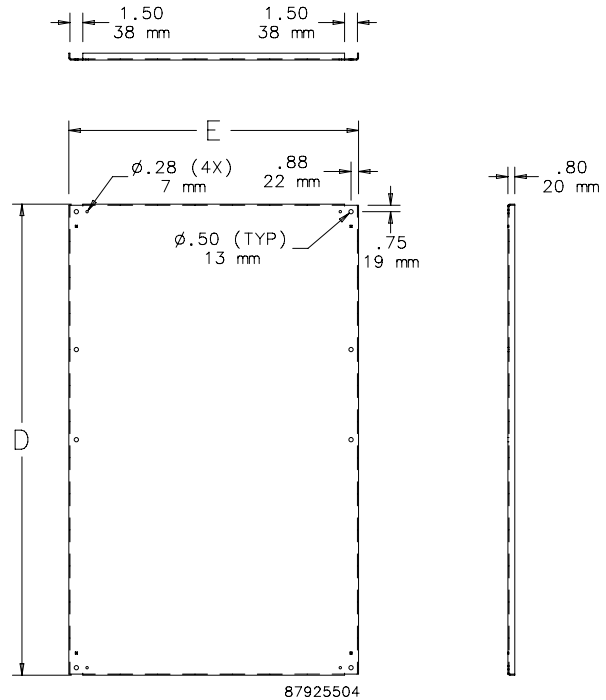
Consult disconnect manufacturer for F1 and G1 dimensions.

PANELS FOR A26 LOW-PROFILE TYPE 12 DISCONNECT ENCLOSURES

Optional panels for low-profile Type 12 enclosures (Bulletin A26) are .121-in. steel. Finish is white polyester powder paint or a conductive, corrosion-resistant coating. Mounting hardware included with enclosure.

BULLETIN: A26P

Catalog Number	Finish	Panel Size D x E (in.)	Panel Size D x E (mm)	Fits Bay
A25P21	Painted steel	25.88 x 21.75	657 x 552	1
A31P21	Painted steel	31.88 x 21.75	810 x 552	1
A31P21G	Conductive	31.88 x 21.75	810 x 552	1
A37P21	Painted steel	37.88 x 21.75	962 x 552	1
A37P21G	Conductive	37.88 x 21.75	962 x 552	1
A42P33	Painted steel	42.88 x 33.75	1089 x 857	1
A42P33G	Conductive	42.88 x 33.75	1089 x 857	1
A54P33	Painted steel	54.88 x 33.75	1394 x 857	1
A54P33G	Conductive	54.88 x 33.75	1394 x 857	1
A25P48	Painted steel	25.88 x 48.00	657 x 1219	2
A25P48G	Conductive	25.88 x 48.00	657 x 1219	2
A31P48	Painted steel	31.88 x 48.00	810 x 1219	2
A31P48G	Conductive	31.88 x 48.00	810 x 1219	2
A37P48	Painted steel	37.88 x 48.00	962 x 1219	2
A37P48G	Conductive	37.88 x 48.00	962 x 1219	2
A42P72	Painted steel	42.88 x 72.00	1089 x 1829	2
A42P72G	Conductive	42.88 x 72.00	1089 x 1829	2
A54P72	Painted steel	54.88 x 72.00	1394 x 1829	2
A54P72G	Conductive	54.88 x 72.00	1394 x 1829	2



87925504



WATERSHED DISCONNECT ENCLOSURE, TYPE 4X



INDUSTRY STANDARDS

Mounting brackets required to meet UL/cUL external mounting requirement.

UL 508A Listed; Type 4, 4X, 12; File Number E61997
 cUL Listed per CSA C22.2 No. 94; Type 4, 4X, 12; File No. E61997

NSF 169
 NEMA/EEMAC Type 4, 4X, 12
 IEC 60529, IP66
 Meets NEMA Type 3RX requirements

APPLICATION

Specifically designed for disconnect applications in sanitary washdown production environments, such as food and beverage manufacturing. Hoffman WATERSHED Disconnect Enclosures feature a sloped top, sloped door edges, bullet-style hinges and additional unique features that facilitate washdown runoff.

SPECIFICATIONS

- 14 gauge Type 304 stainless steel
- Seams continuously welded and ground smooth
- Smooth Type 304 stainless steel lift-off bullet-style hinges
- Hinges are shielded by door edges
- Hinged side of door has provisions to allow direct flushing of hinge area
- 20-degree sloped top
- 170-degree door opening
- Door edges are sloped 20 degrees at top and bottom
- Slanted flange trough collar along the top edge of the enclosure opening
- Stainless steel quarter-turn latches with flush slotted insert
- Seamless foam-in-place gasket
- Self-grounding latch system
- Bonding provision on door; grounding stud on body
- Panel studs fit optional NEMA size panels
- Preferred cutout on right flange provides mounting for most disconnect operators
- Mounting holes in back of body for direct mounting or for optional stand-off kit or external mounting brackets
- Furnished hardware kit consists of panel mounting nuts, grounding hardware and sealing washers for wall-mounting holes

FINISH

Sides, top, bottom and door have a #4 brushed finish.

ACCESSORIES

See also *Accessories*.
 Mounting Bracket Kit
 Panels for Type 3R, 4, 4X, 12 and 13 Enclosures
 Stand-Off Kit
 Padlocking Handle Kit
 Padlocking Latch Kit

MODIFICATION AND CUSTOMIZATION

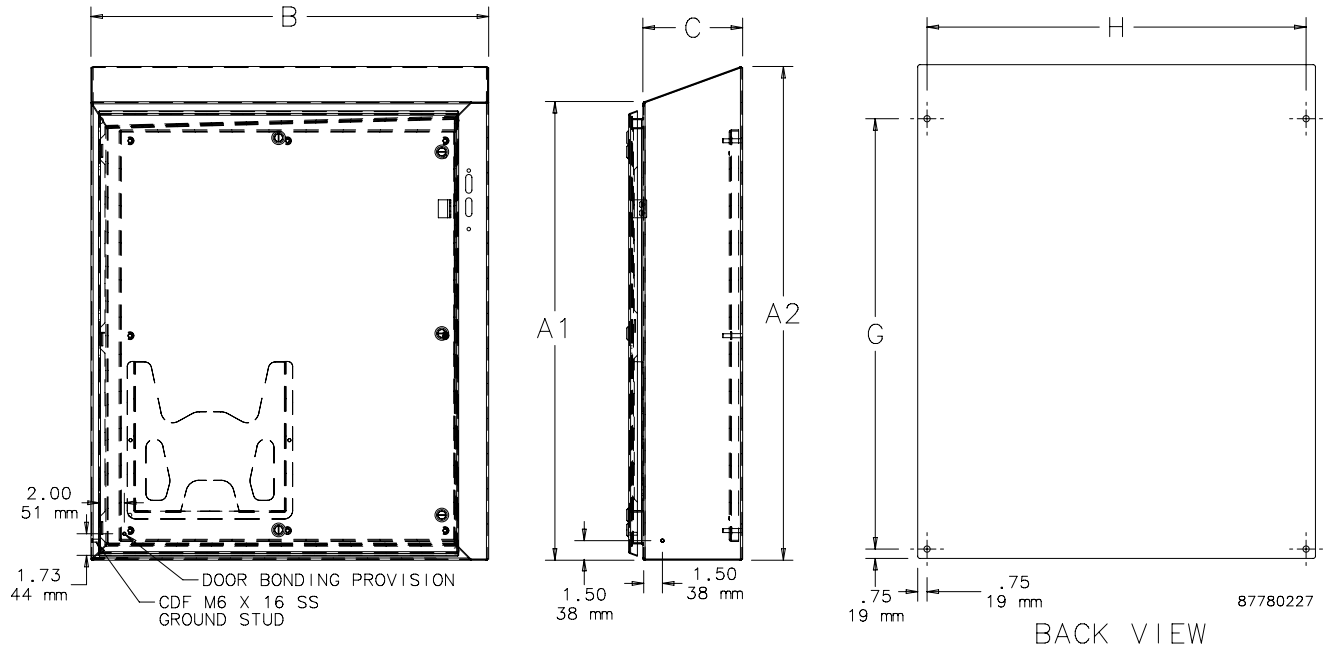
Hoffman excels at modifying and customizing products to your specifications. Contact your local Hoffman sales office or distributor for complete information.

BULLETIN: WS1D

Standard Product

Catalog Number	AxBxC in./mm	A1 in./mm	A2 in./mm	B in./mm	C in./mm	G in./mm	H in./mm	Latch Qty.	Panel	Conductive Panel
WS24HS2508SS	24.00 x 25.00 x 8.00 610 x 635 x 203	24.53 623	27.44 697	25.89 658	8.00 203	22.50 572	24.39 620	4	A24P24	A24P24G
WS30HS2508SS	30.00 x 25.00 x 8.00 762 x 635 x 203	30.53 775	33.44 849	25.89 658	8.00 203	28.50 724	24.39 610	4	A30P24	A30P24G
WS36HS3108SS	36.00 x 31.00 x 8.00 914 x 787 x 203	36.70 932	39.58 1005	31.89 810	8.00 203	34.50 876	30.39 772	5	A36P30	A36P30G
WS48HS3716SS	48.00 x 37.00 x 16.00 1219 x 940 x 406	48.86 1241	54.66 1388	37.89 962	16.00 406	46.50 1181	36.39 924	5	A48P36	A48P36G
WS60HS3716SS	60.00 x 37.00 x 16.00 1524 x 940 x 406	60.87 1546	66.66 1693	37.89 962	16.00 406	58.50 1486	36.39 924	5	A60P36	A60P36G

Purchase panels separately. Optional Stainless steel, composite and aluminum panels available for most sizes.



DISCONNECT MOUNTING SPACE

Disconnects will occupy space on panel shown by dimensions E1, F1 and G1 in diagram. Wiring space W1 is available when disconnect is installed in the enclosure.

E1 = 4.75 in. (121 mm) when C = 8.00 in. (203 mm)

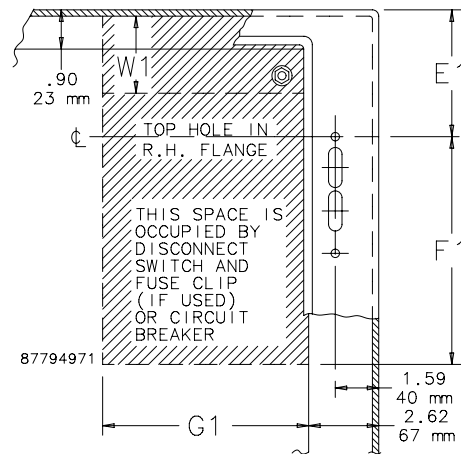
E1 = 11.62 in. (294 mm) when C = 16.00 in. (406 mm)

W1 = Wiring space.

See *Technical Information for wire bend space.*

Refer to *National Electrical Code®*, 2005 article 430-10(B) for wiring space required for line side conductors to be connected to disconnect.

Verify your application to determine if wiring space is adequate.



Consult disconnect manufacturer for F1 and G1 dimensions.



MOUNTING BRACKET KIT



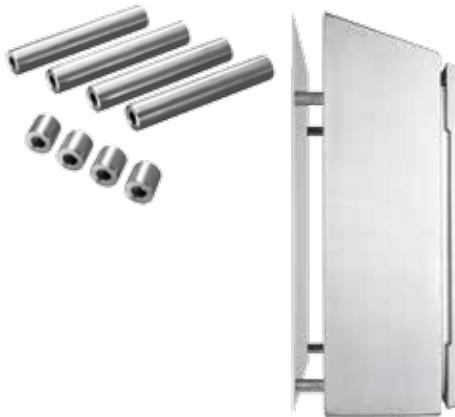
Type 304 stainless steel brackets are field-installable. Brackets maintain Type 4X rating. All hardware is included. Four brackets per kit.

Top brackets must be mounted to the sides of enclosure.

BULLETIN: A80

Catalog Number	Description
CMFKSS	Type 304 stainless steel mounting bracket kit

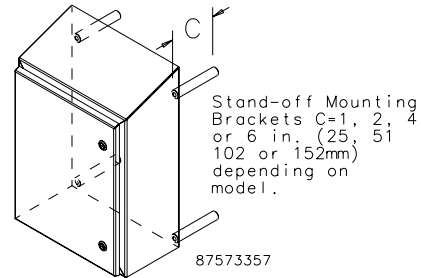
STAND-OFF KIT



Stand-offs provide space between wall-mount enclosure and wall for better washdown accessibility. Maintains Type 4X rating. Sealing washers included. Four stand-offs per kit.

BULLETIN: WSY

Catalog Number	C (in.)	C (mm)
WSSOK1SS	1.00	25
WSSOK2SS	2.00	51
WSSOK4SS	4.00	102
WSSOK6SS	6.00	152



PADLOCKING HANDLE KIT



Type 304 stainless steel padlocking handle for use on Hoffman WATERSHED Wall-Mount Enclosures. Maintains Type 4X rating.

BULLETIN: WSY

Catalog Number	Description
WSHPL	Stainless Steel Padlocking Handle

PADLOCKING LATCH KIT



Type 304 stainless steel padlocking latch for use on Hoffman WATERSHED Wall-Mount Enclosures. Maintains Type 4X rating.

BULLETIN: WSY

Catalog Number	Description
WSLPL	Padlocking Latch Kit

Notes



FIXED-DEPTH ALLEN-BRADLEY CUTOUT OVERVIEW



APPLICATION

Enclosures having the "Allen-Bradley" cutout are **ONLY** compatible with fixed-depth Allen-Bradley devices up to 1494F Series C. This cutout is **ONLY** found on A22 Enclosures and on adapter plates in the ABF Adapter Kit.

ORDERING

The disconnect switch, operating handle, and operating mechanism must be ordered separately. See Technical Information in the Hoffman Specifier's Guide for wire bend space available. Check the enclosure dimension drawings to make sure the chosen disconnect switch will fit in the enclosure.

A complete assembly consists of:

1. An enclosure
2. Guide bracket(s) and door catch welded to door
3. Locking bar(s) for door hardware
4. Spacers and screws to support disconnect to panel
5. Instructions to locate and install disconnects

ALLEN-BRADLEY 1494 CUTOUT DISCONNECT ENCLOSURE, TYPE 12**INDUSTRY STANDARDS**

UL 508A Listed; Type 12, 13; File No. E61997 cUL Listed per CSA C22.2 No. 94; Type 12, 13; File No. E61997

NEMA/EEMAC Type 12, 13
 CSA File No. 42186: Type 12
 IEC 60529, IP65

APPLICATION

These enclosures house Allen-Bradley Bulletin 1494F flange-mount disconnect switches and Bulletin 1494D flange-mount operators for circuit breakers.

Furnished with Enclosure

1. Guide bracket(s) and door catch welded to door
2. Locking bar(s) for door hardware
3. Spacers and screws to support disconnect to panel
4. Instructions to locate and install disconnects

SPECIFICATIONS

- 14 gauge steel
- External welded-on mounting brackets for easy installation
- External formed body flange channels away liquids
- Removable door with continuous hinge
- Type 12 rated door gasket
- Collar studs for mounting optional panels
- Holes in body and door for mounting disconnect operating handle, operating mechanism and door hardware
- Data pocket is high impact thermoplastic
- Guide bracket(s) and door catch welded to door
- Includes locking bar(s) for door hardware, spacers and screws to support disconnect panel
- Installation instructions provided

FINISH

ANSI 61 gray polyester powder paint outside and white inside.

ACCESSORIES

See also Accessories.

Blank Adapter Plates, Mild Steel

Electric Heater

Compact Cooling Fans

PANELITE Enclosure Lights Overview

Panels for Type 3R, 4, 4X, 12 and 13 Enclosures

Steel and Stainless Steel Window Kits

MODIFICATION AND CUSTOMIZATION

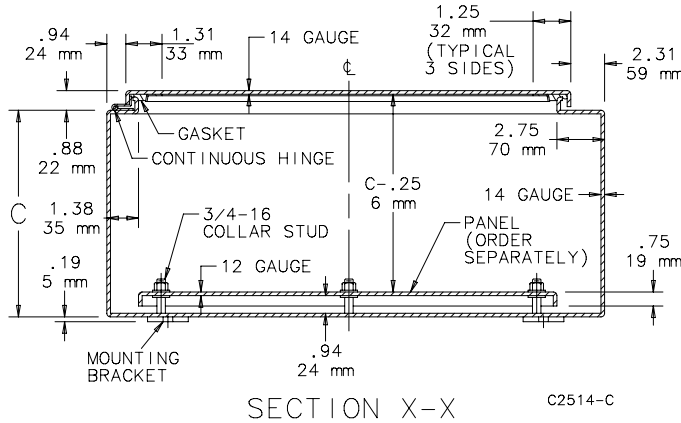
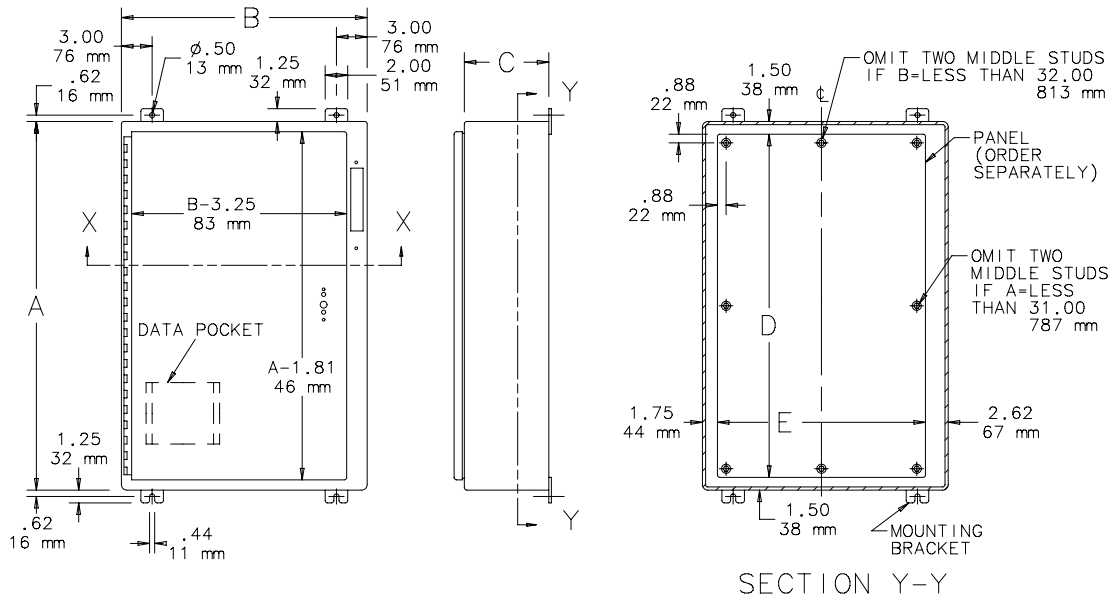
Hoffman excels at modifying and customizing products to your specifications. Contact your local Hoffman sales office or distributor for complete information.

BULLETIN: A22

Standard Product

Catalog Number	AxBxC in./mm	Panel	Conductive Panel	Panel Size D x E in./mm	Data Pocket Size in./mm
A36AB3208LP	36.00 x 31.38 x 8.00 914 x 797 x 203	A36P30	A36P30G	33.00 x 27.00 838 x 686	12.00 x 12.00 305 x 305
A48AB3808LP	48.00 x 37.38 x 8.00 1219 x 949 x 203	A48P36	A48P36G	45.00 x 33.00 1143 x 838	12.00 x 12.00 305 x 305
A24AB2210LP	24.00 x 21.38 x 10.00 610 x 543 x 254	A24P20	A24P20G	21.00 x 17.00 533 x 432	6.00 x 6.00 152 x 152
A24AB2610LP	24.00 x 25.38 x 10.00 610 x 645 x 254	A24P24	A24P24G	21.00 x 21.00 533 x 533	6.00 x 6.00 152 x 152
A30AB2210LP	30.00 x 21.38 x 10.00 762 x 543 x 254	A30P20	A30P20G	27.00 x 17.00 686 x 432	6.00 x 6.00 152 x 152
A30AB2610LP	30.00 x 25.38 x 10.00 762 x 645 x 254	A30P24	A30P24G	27.00 x 21.00 686 x 533	12.00 x 12.00 305 x 305
A36AB2610LP	36.00 x 25.38 x 10.00 914 x 645 x 254	A36P24	A36P24G	33.00 x 21.00 838 x 533	12.00 x 12.00 305 x 305
A36AB3210LP	36.00 x 31.38 x 10.00 914 x 797 x 254	A36P30	A36P30G	33.00 x 27.00 838 x 686	12.00 x 12.00 305 x 305
A42AB3210LP	42.00 x 31.38 x 10.00 1067 x 797 x 254	A42P30	A42P30G	39.00 x 27.00 991 x 686	6.00 x 6.00 152 x 152
A42AB3810LP	42.00 x 37.38 x 10.00 1067 x 949 x 254	A42P36	A42P36G	39.00 x 33.00 991 x 838	12.00 x 12.00 305 x 305
A48AB3810LP	48.00 x 37.38 x 10.00 1219 x 949 x 254	A48P36	A48P36G	45.00 x 33.00 1143 x 838	12.00 x 12.00 305 x 305
A60AB3810LP	60.00 x 37.38 x 10.00 1524 x 949 x 254	A60P36	A60P36G	57.00 x 33.00 1448 x 838	12.00 x 12.00 305 x 305
A36AB3212LP	36.00 x 31.38 x 12.00 914 x 797 x 305	A36P30	A36P30G	33.00 x 27.00 838 x 686	12.00 x 12.00 305 x 305
A42AB3212LP	42.00 x 31.38 x 12.00 1067 x 797 x 305	A42P30	A42P30G	39.00 x 27.00 991 x 686	6.00 x 6.00 152 x 152
A42AB3812LP	42.00 x 37.38 x 12.00 1067 x 949 x 305	A42P36	A42P36G	39.00 x 33.00 991 x 838	12.00 x 12.00 305 x 305
A48AB3812LP	48.00 x 37.38 x 12.00 1219 x 949 x 305	A48P36	A48P36G	45.00 x 33.00 1143 x 838	12.00 x 12.00 305 x 305
A60AB3812LP	60.00 x 37.38 x 12.00 1524 x 949 x 305	A60P36	A60P36G	57.00 x 33.00 1448 x 838	12.00 x 12.00 305 x 305
A48AB3816LP	48.00 x 37.38 x 16.00 1219 x 949 x 406	A48P36	A48P36G	45.00 x 33.00 1143 x 838	12.00 x 12.00 305 x 305
A60AB3816LP	60.00 x 37.38 x 16.00 1524 x 949 x 406	A60P36	A60P36G	57.00 x 33.00 1448 x 838	12.00 x 12.00 305 x 305
A48AB3812A2LP	48.00 x 37.50 x 12.00 1219 x 953 x 305	A48P36	A48P36G	45.00 x 33.00 1143 x 838	12.00 x 12.00 305 x 305
A60AB3812A2LP	60.00 x 37.50 x 12.00 1524 x 953 x 305	A60P36	A60P36G	57.00 x 33.00 1448 x 838	12.00 x 12.00 305 x 305

Purchase panels separately.



DISCONNECT MOUNTING SPACE

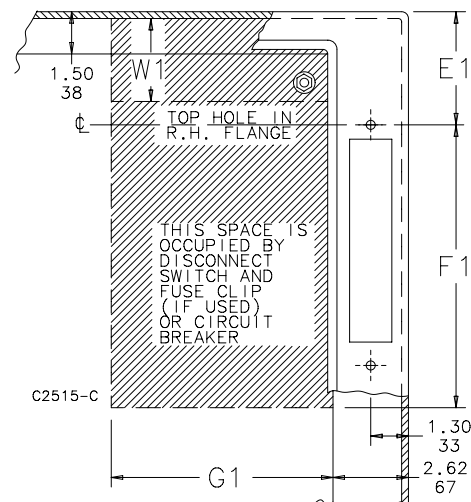
Disconnects will occupy space on panel shown by dimensions E1, F1 and G1. Wiring space W1 is available when disconnect is installed in the enclosure.

- E1 = 6.75 in. (171 mm) when C = 10.00 in. (254 mm)
- E1 = 9.50 in. (241 mm) when C = 12.00 in. (305 mm) except enclosures for 200 A switches)
- E1 = 9.50 in. (241 mm) when C = 16.00 in. (406 mm)
- W1 = Wiring Space

Refer to **NATIONAL ELECTRICAL CODE, 2005** article 430-10(b) for wiring space required for line side conductors to be connected to disconnect.

Verify your application to determine if wiring space is adequate.

Consult Space Occupied by Disconnect drawing to determine whether the disconnect device you are using will fit the enclosure size you have selected.



Consult disconnect manufacturer for F1 and G1 dimensions.



PREFERRED-CUTOUT OVERVIEW



APPLICATION

Enclosures having the preferred cutout are sized for use with up to 200A disconnect switches and up to 400A circuit breakers unless otherwise specified. The preferred cutout accepts the smaller operating handle whose mounting hole centers are 4.688 in. apart. Preferred cutouts are standard in mild steel wall-mount enclosures, modular enclosures and some select large mild steel enclosures. They are also present on all standard stainless steel offerings. 400 A (or greater) disconnect switches and 600 A (or greater) circuit breakers require the "Large" or "High Amp" cutout. This cutout accepts the larger operating handle whose mounting hole centers are 6.500-in. apart. This large cutout is only available on PROLINE-DD Disconnect Packages and Type 1 Free-Stand Enclosures.

Operator adapter for preferred cutouts must be ordered separately to be used with A21S, A28S4, A4S and WS2D enclosures. Preferred cutouts are designed to house the following:

Allen-Bradley

- Bulletin 1494V disconnect switches with flange-mount variable-depth operating mechanisms and Bulletin 1494V flange-mount variable-depth operating mechanisms for circuit breakers
 - Bulletin 140U flexible cable operating mechanisms for 140U molded case circuit breakers
 - Bulletin 140G flexible cable and variable depth flange-mount molded case circuit breakers
 - Bulletin 1494C cable-operated disconnect switches with flange-mount handles
 - Bulletin 194RC cable-operated flange-mount handles for use with the NFPA 79 compliant 194R IEC rotary disconnect switches
- Allen-Bradley Bulletin 1494V-R1, -R2 and -W2 operating handles and Allen-Bradley Bulletin 1494F disconnect devices or Bulletin 1494D circuit breaker operators will NOT fit these enclosures.*

ABB Controls flange-mount variable-depth operating mechanisms for disconnect switches and circuit breakers. Also the cable version for circuit breakers.

Eaton Cutler-Hammer Type C361 flange-mount variable-depth operating mechanisms with disconnect switches and Type C371 flange-mount variable-depth operating mechanisms for circuit breakers.

General Electric Type STDA flange handles and variable-depth operating mechanisms for disconnect switches and circuit breakers. Also SPECTRAFLEX cable operators for circuit breakers.

Siemens ITE MAX FLEX® flange-mount variable-depth operating handles for circuit breakers.

Schneider Square D® Class 9422 disconnect switches with flange-mount variable-depth operating mechanisms or cable mechanisms and Class 9422 flange-mount variable-depth operating mechanisms or cable mechanisms for circuit breakers.
These enclosures will NOT accept Square D Class 9422 bracket-mounted disconnect devices, Class 9422TG1 or TG2 devices.

ORDERING

Order the disconnect switch, operating handle and operating mechanism separately. See Technical Information in the Hoffman Specifier's Guide for wire bend space available when various manufacturers' disconnect switches are installed. Check the enclosure dimension drawings to verify the chosen disconnect switch will fit in the enclosure.

FREE-STAND DISCONNECT ENCLOSURE, TYPE 1**INDUSTRY STANDARDS**

UL508A Listed; Type 1; File No. E61997 cUL Listed per CSA C22.2 No. 14; Type 1; File No. E61997
--

NEMA/EEMAC Type 1
IEC 60529 IP30

APPLICATION

Free-Stand Disconnect Enclosures, Type 1, are an economical way to protect electrical and electronic equipment in applications that do not require extensive environmental protection.

SPECIFICATIONS

- 14 gauge steel body and door; 12 gauge back covers
- 4-in. high 10 gauge steel integral lifting base
- Modified preferred disconnect cutout
- Heights from 60 in. to 84 in. Usable height inside cabinet 4 in. less than nominal height.
- Sturdy 7 gauge lifting tabs
- Flush doors
- 3-point latch with heavy-duty handle
- Screwdriver defeater in handle on master door
- Padlock provision in handle

- Predrilled holes in lifting base provide bolt-down capability
- Bonding provision on each door
- Studs included for mounting optional panels on threaded bolts
- Optional rack angles mount to top and bottom of front flanges

FINISH

RAL 7035 light gray polyester powder paint inside and outside. Optional panels have white or conductive finish.

ACCESSORIES

See also Accessories.
 Rack-Angle Mounted Drawer
 Rack-Mount Steel Shelf
 Rack Mounting Angle Kit - L Style
 Electric Heater
 Compact Cooling Fans

MODIFICATION AND CUSTOMIZATION

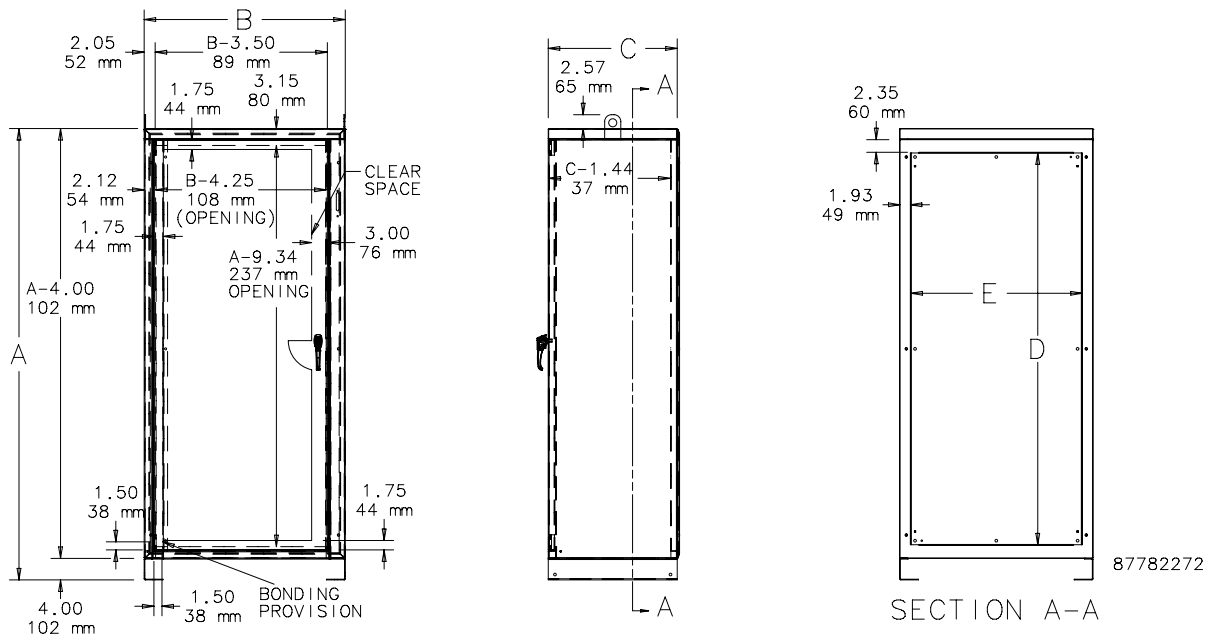
Hoffman excels at modifying and customizing products to your specifications. Contact your local Hoffman sales office or distributor for complete information.

BULLETIN: A38D

Standard Product Free-Stand Type 1 Large One-Door Disconnect Enclosures

Catalog Number	AxBxC in./mm	Panel	Conductive Panel	Panel Size D x E in./mm	Use Rack Angle
A60XN2712FSLP	60.00 x 27.00 x 12.00 1524 x 686 x 305	A49P21N	A49P21NG	49.16 x 21.50 1249 x 546	ARA6019THG
A60XN2718FSLP	60.00 x 27.00 x 18.00 1524 x 686 x 457	A49P21N	A49P21NG	49.16 x 21.50 1249 x 546	ARA6019THG
A60XN2724FSLP	60.00 x 27.00 x 24.00 1524 x 686 x 610	A49P21N	A49P21NG	49.16 x 21.50 1249 x 546	ARA6019THG
A60XN3718FSLP	60.00 x 37.00 x 18.00 1524 x 940 x 457	A49P32N	A49P32NG	49.16 x 32.00 1249 x 813	ARA6019THG
A72XN2718FSLP	72.00 x 26.00 x 18.00 1829 x 660 x 457	A61P21N	A61P21NG	61.16 x 21.50 1553 x 546	ARA7219THG
A72XN3718FSLP	72.00 x 37.00 x 18.00 1829 x 940 x 457	A61P32N	A61P32NG	61.16 x 32.00 1553 x 813	ARA7219THG
A72XN3724FSLP	72.00 x 37.00 x 24.00 1829 x 940 x 610	A61P32N	A61P32NG	61.16 x 32.00 1553 x 813	ARA7219THG
A84XN2718FSLP	84.00 x 26.00 x 18.00 2134 x 660 x 457	A73P21N	A73P21NG	73.16 x 21.50 1858 x 546	ARA8419THG
A84XN3724FSLP	84.00 x 37.00 x 24.00 2134 x 940 x 610	A73P32N	A73P32NG	73.16 x 32.00 1858 x 813	ARA8419THG

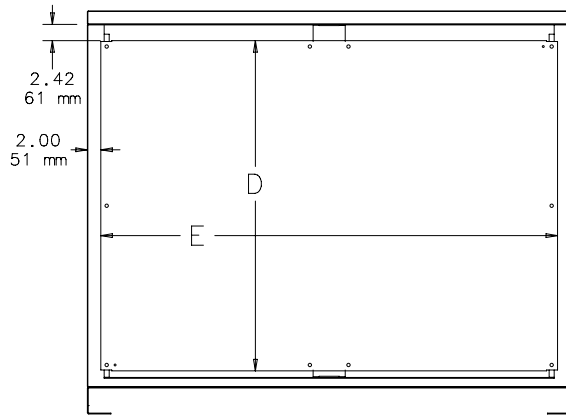
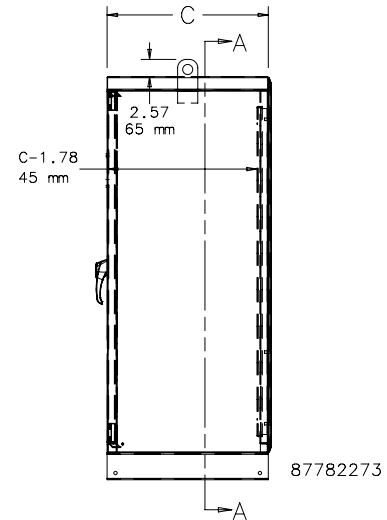
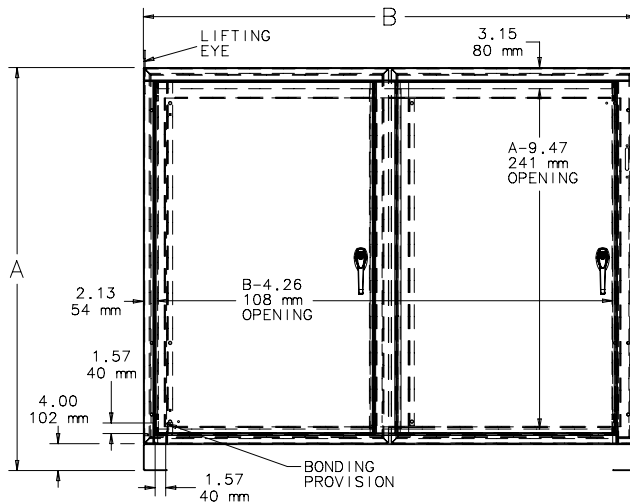
Purchase panels separately.



Standard Product **Free-Stand Type 1 Large Two-Door Disconnect Enclosures**

Catalog Number	AxBxC in./mm	Panel	Conductive Panel ¹	Panel Size D x E in./mm	Use Rack Angle
A60XN5312FSLP	60.00 x 53.00 x 12.00 1524 x 1346 x 305	A49P48N	A49P48NG	49.16 x 48.00 1249 x 1219	ARA6019THG
A60XN5318FSLP	60.00 x 53.00 x 18.00 1524 x 1346 x 457	A49P48N	A49P48NG	49.16 x 48.00 1249 x 1219	ARA6019THG
A60XN7324FSLP	60.00 x 73.00 x 24.00 1524 x 1854 x 610	A49P68N	A49P68NG	49.16 x 68.00 1249 x 1727	ARA6019THG
A72XN7318FSLP	72.00 x 73.00 x 18.00 1829 x 1854 x 457	A61P68N	A61P68NG	61.16 x 68.00 1553 x 1727	ARA7219THG
A72XN7324FSLP	72.00 x 73.00 x 24.00 1829 x 1854 x 610	A61P68N	A61P68NG	61.16 x 68.00 1553 x 1727	ARA7219THG
A84XN7318FSLP	84.00 x 73.00 x 18.00 2134 x 1854 x 457	A73P68N	A73P68NG	73.16 x 68.00 1858 x 1727	ARA8419THG
A84XN7324FSLP	84.00 x 73.00 x 24.00 2134 x 1854 x 610	A73P68N	A73P68NG	73.16 x 68.00 1858 x 1727	ARA8419THG

Purchase panels separately.



SECTION A-A



DISCONNECT MOUNTING SPACE

Disconnect is located 11.62 in. from outside top of enclosure. Wiring space is available when disconnect is installed in the enclosure.

See *Technical Information* section for wire bend space.

Refer to **NATIONAL ELECTRICAL CODE, 2005** article 430-10(b) for wiring space required for line side conductors to be connected to disconnect. **Verify your application to determine whether wiring space is adequate.**

Consult *Space Occupied by Disconnect* drawing to determine whether the disconnect device you are using will fit the enclosure size you have selected.

GASKET KITS

Apply self-adhesive strip gaskets for gasketed NEMA 1 solution. Each kit includes sufficient gasket for any one- or two-door enclosure. Choose kit by number of doors.

BULLETIN: A38P

Catalog Number	Description
A38GSKT	For one-door enclosures
A38GSKT2	For two-door enclosures

PROLINE-DD DISCONNECT ENCLOSURE, TYPE 12



INDUSTRY STANDARDS

UL 508A Listed; Type 12; File Number E61997
 cUL Listed per CSA C22.2 No. 94; Type 12; File No. E61997

NEMA/EEMAC Type 12
 CSA File Number 42186: Type 12
 VDE IP55
 IEC 60529, IP55

APPLICATION

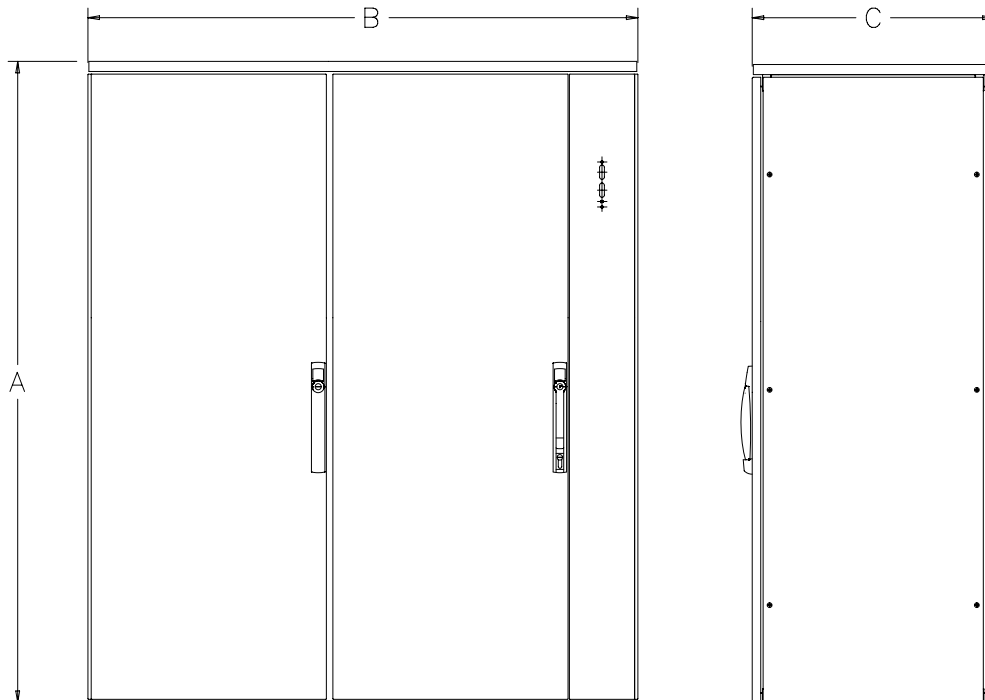
For a modular disconnect system with application flexibility, choose a PROLINE -DD Modular Enclosure. These two-door packages and their components are compatible with any of the standard flange-mounted disconnect switches and mechanisms described in the Preferred Cutout Overview section.

BULLETIN: P20DC

Standard Product

Catalog Number	AxBxC in./mm	Nominal Size in./mm	Cutout Provision
PTDCC20185	78.11 x 71.18 x 19.65 1984 x 1808 x 499	78.74 x 70.87 x 19.69 2000 x 1800 x 500	Small
PTDCC20186	78.11 x 71.18 x 23.58 1984 x 1808 x 599	78.74 x 70.87 x 23.62 2000 x 1800 x 600	Small
PTDLC20185	78.11 x 71.18 x 19.65 1984 x 1808 x 499	78.74 x 70.87 x 19.69 2000 x 1800 x 500	Large
PTDLC20186	78.11 x 71.18 x 23.58 1984 x 1808 x 599	78.74 x 70.87 x 23.62 2000 x 1800 x 600	Large

PROLINE-DD Modular Enclosure

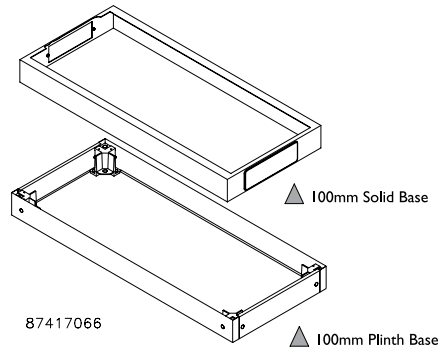
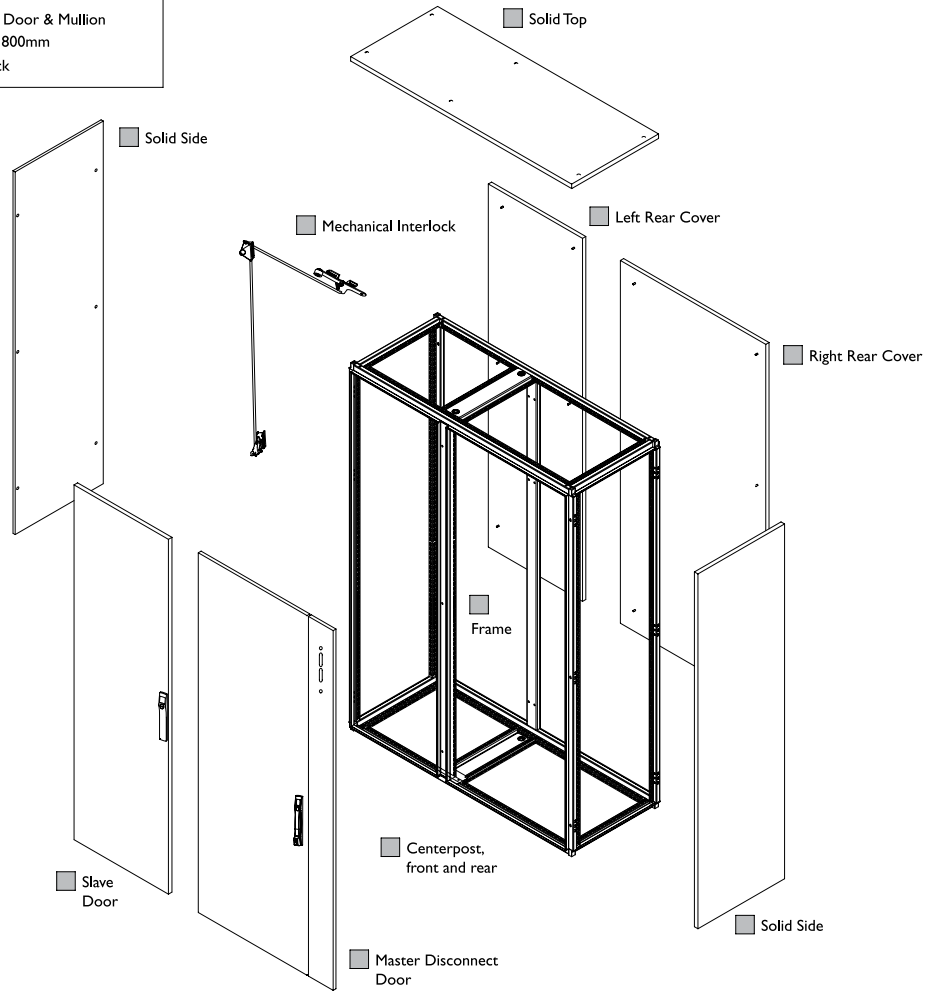


87798627



- Standard Configuration**
- Frame with removable centerpost at front and fixed centerpost at rear
 - Solid Top
 - Solid Sides
 - Left Rear Cover, 2000 x 800mm
 - Right Rear Cover, 2000 x 1000mm
 - Master Disconnect Door & Mullion
 - Slave Door, 2000 x 800mm
 - Mechanical Interlock

- Optional Components**
- All optional components may be ordered separately. Components labeled may be included in an configuration.



DISCONNECT MOUNTING SPACE

Disconnects will occupy space on panel shown by dimensions E1, F1 and G1. Wiring space W1 is available when disconnect is installed in the enclosure.

See *Technical Information for E1 Spacing by Enclosure Height for various disconnect switch manufacturers.*

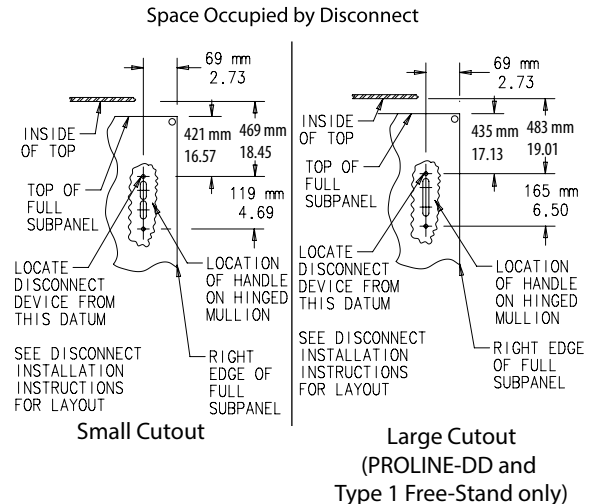
W1 = Wiring Space.

See *Technical Information chapter for wire bend space.*

Refer to **NATIONAL ELECTRICAL CODE, 2005** article 430-10(b) for wiring space required for line side conductors to be connected to disconnect.

Verify your application to determine whether wiring space is adequate.

Consult Space Occupied by Disconnect drawing to determine whether the disconnect device you are using will fit the enclosure size you have selected.



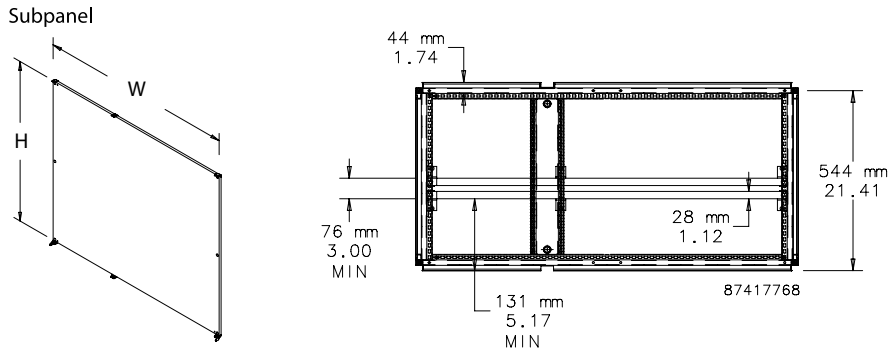
87417877

PROLINE-DD MODULAR SUBPANEL

The Subpanel mounts inside the PROLINE-DD Modular Enclosures. The subpanel size is 2000 x 1800 mm and is constructed of 10 gauge steel. It also has glide blocks to facilitate handling and installation (hardware is included).

BULLETIN: P20

Catalog Number	AxB in./mm	Type	Used with Assembled Enclosure 1	Used with Assembled Enclosure 2
PPF2018	78.70 x 70.90 2000 x 1800	Subpanel White Painted Finish	PTDCC20185	PTDDC20186
PPF2018G	78.70 x 70.90 2000 x 1800	Subpanel Conductive Finish	PTDCC20185	PTDDC20186

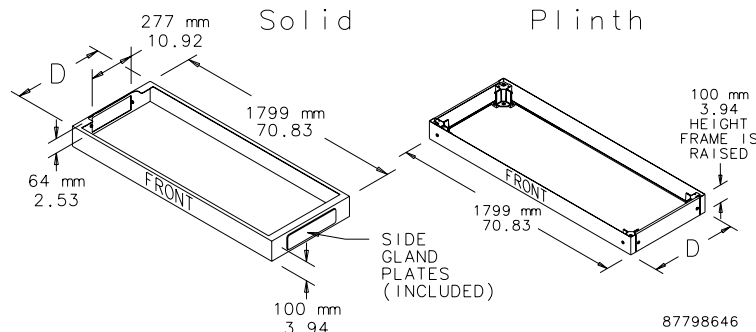


PROLINE-DD MODULAR 100-MM BASES

These 100-mm solid and plinth bases mount to PROLINE-DD Modular Enclosures. Gland plates are necessary to maintain Type 12 rating when using plinth base.

BULLETIN: P20

Catalog Number	Type	Used with Assembly	D (mm)	D (in.)
PB1185	100-mm Solid Base	PTDDC20185	459	18.07
PB1186	100-mm Solid Base	PTDCC20186	559	22.01
PPB1186	100-mm Plinth Base	PTDCC20186	559	22.01



PREFERRED-CUTOUT OVERVIEW



APPLICATION

Enclosures having the preferred cutout are sized for use with up to 200A disconnect switches and up to 400A circuit breakers unless otherwise specified. The preferred cutout accepts the smaller operating handle whose mounting hole centers are 4.688 in. apart. Preferred cutouts are standard in mild steel wall-mount enclosures, modular enclosures and some select large mild steel enclosures. They are also present on all standard stainless steel offerings. 400 A (or greater) disconnect switches and 600 A (or greater) circuit breakers require the "Large" or "High Amp" cutout. This cutout accepts the larger operating handle whose mounting hole centers are 6.500-in. apart. This large cutout is only available on PROLINE-DD Disconnect Packages and Type 1 Free-Stand Enclosures.

Operator adapter for preferred cutouts must be ordered separately to be used with A21S, A28S4, A4S and WS2D enclosures. Preferred cutouts are designed to house the following:

Allen-Bradley

- Bulletin 1494V disconnect switches with flange-mount variable-depth operating mechanisms and Bulletin 1494V flange-mount variable-depth operating mechanisms for circuit breakers
 - Bulletin 140U flexible cable operating mechanisms for 140U molded case circuit breakers
 - Bulletin 140G flexible cable and variable depth flange-mount molded case circuit breakers
 - Bulletin 1494C cable-operated disconnect switches with flange-mount handles
 - Bulletin 194RC cable-operated flange-mount handles for use with the NFPA 79 compliant 194R IEC rotary disconnect switches
- Allen-Bradley Bulletin 1494V-R1, -R2 and -W2 operating handles and Allen-Bradley Bulletin 1494F disconnect devices or Bulletin 1494D circuit breaker operators will NOT fit these enclosures.*

ABB Controls flange-mount variable-depth operating mechanisms for disconnect switches and circuit breakers. Also the cable version for circuit breakers.

Eaton Cutler-Hammer Type C361 flange-mount variable-depth operating mechanisms with disconnect switches and Type C371 flange-mount variable-depth operating mechanisms for circuit breakers.

General Electric Type STDA flange handles and variable-depth operating mechanisms for disconnect switches and circuit breakers. Also SPECTRAFLEX cable operators for circuit breakers.

Siemens ITE MAX FLEX® flange-mount variable-depth operating handles for circuit breakers.

Schneider Square D® Class 9422 disconnect switches with flange-mount variable-depth operating mechanisms or cable mechanisms and Class 9422 flange-mount variable-depth operating mechanisms or cable mechanisms for circuit breakers.
These enclosures will NOT accept Square D Class 9422 bracket-mounted disconnect devices, Class 9422TG1 or TG2 devices.

ORDERING

Order the disconnect switch, operating handle and operating mechanism separately. See Technical Information in the Hoffman Specifier's Guide for wire bend space available when various manufacturers' disconnect switches are installed. Check the enclosure dimension drawings to verify the chosen disconnect switch will fit in the enclosure.

TWO-DOOR STAINLESS STEEL FLANGE-MOUNTED DISCONNECTS, TYPE 4X**INDUSTRY STANDARDS**

UL 508A Listed; Type 3R, 4, 4X, 12; File No. E61997
 cUL Listed per CSA C22.2 No. 94; Type 3R, 4, 4X, 12; File No. E61997

NEMA/EEMAC Type 3R, 4, 4X, 12
 CSA File No. 42186: Type 4, 4X, 12
 IEC 60529, IP66
 Meets NEMA Type 3RX requirements

SPECIFICATIONS

- Manufactured from 12 gauge Type 304 stainless steel
- Seams continuously welded and ground smooth
- Body stiffeners in larger enclosures for extra rigidity
- Body flange trough collar excludes liquids and contaminants
- Removable centerposts permit easy panel installation
- Heavy-gauge continuous hinges
- Rollers on ends of latch rods for easier door closing
- Heavy-duty lifting eyes are Type 316 stainless steel
- Data pocket is high-impact thermoplastic
- 15-in. floor stands are welded to enclosure
- Seamless foam-in-place gasket provides oil-tight and dust-tight seal against contaminants
- Panel supports
- Collar studs provided for mounting optional panels
- Heavy-duty 3-point latching mechanism operated by Type 316 stainless steel POWERGLIDE padlocking handle on all doors
- Master door is right-hand door on X enclosures and left-hand door on CPX enclosures
- Type 316 stainless steel handle with defeater on master door
- Type 316 stainless steel handle (non-defeater) on slave door
- Mechanical interlock operated by master door prevents slave door from being opened first; doors can be closed in any order
- Preferred cutout on right flange provides mounting for most disconnect operators
- Bonding provision on doors; grounding studs on body
- Accessory mounting channel provided in enclosure top

FINISH

Stainless steel enclosures are unpainted. Sides and body have smooth #4 brushed finish. Optional mild steel panels are painted white. Optional conductive panels are available.

ACCESSORIES

See also Accessories.

Blank Adapter Plates, Mild Steel
 INTERSAFE Data Interface Ports, Type 4/4X/12
 Operator Adapters for Universal Cutouts
 PANELITE Enclosure Lights Overview
 Panels for Type 3R, 4, 4X, 12 and 13 Enclosures
 Steel and Stainless Steel Window Kits

MODIFICATION AND CUSTOMIZATION

Hoffman excels at modifying and customizing products to your specifications. Contact your local Hoffman sales office or distributor for complete information.

PATENTS

US 5,634,357
 D 385,7683

BULLETIN: A21S4

Standard Product **Two-Door with Provision for Disconnect Operator on Right Flange**

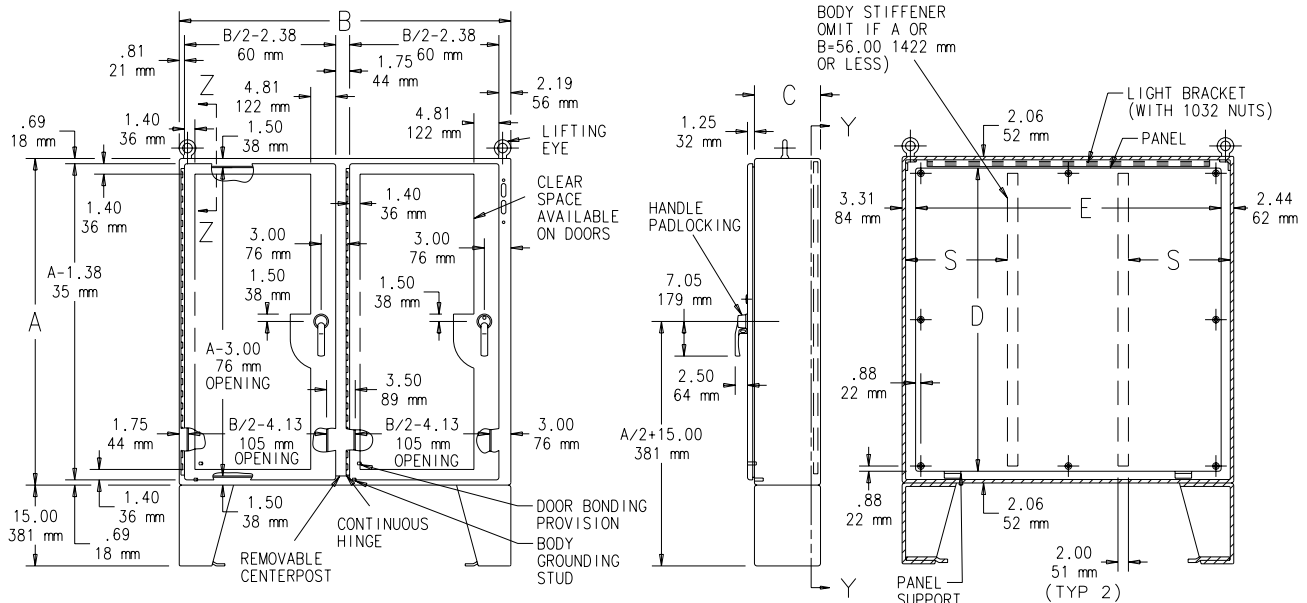
Catalog Number	AxBxC in./mm	Panel	Conductive Panel	Panel Size D x E in./mm
A60X4912SSLPN4	60.12 x 49.79 x 12.12 1527 x 1265 x 308	A60P48	A60P48G	56.00 x 44.00 1422 x 1118
A60X6112SSLPN4	60.12 x 61.75 x 12.12 1527 x 1568 x 308	A60P60	A60P60G	56.00 x 56.00 1422 x 1422
A72X6112SSLPN4	72.12 x 61.75 x 12.12 1832 x 1568 x 308	A72P60	A72P60G	68.00 x 56.00 1727 x 1422
A72X7312SSLPN4	72.12 x 73.75 x 12.12 1832 x 1873 x 308	A72P72	A72P72G	68.00 x 68.00 1727 x 1727
A60X4918SSLPN4	60.12 x 49.75 x 18.12 1527 x 1264 x 460	A60P48	A60P48G	56.00 x 44.00 1422 x 1118
A60X6118SSLPN4	60.12 x 61.75 x 18.12 1527 x 1568 x 460	A60P60	A60P60G	56.00 x 56.00 1422 x 1422
A72X6118SSLPN4	72.12 x 61.75 x 18.12 1832 x 1568 x 460	A72P60	A72P60G	68.00 x 56.00 1727 x 1422
A72X7318SSLPN4	72.12 x 73.75 x 18.12 1832 x 1873 x 460	A72P72	A72P72G	68.00 x 68.00 1727 x 1727
A72X7324SSLPN4	72.12 x 73.75 x 24.12 1832 x 1873 x 613	A72P72	A72P72G	68.00 x 68.00 1727 x 1727

Purchase panels separately.

All 24.12-in. (613 mm) and deeper enclosures using short connecting rods in the following models require a Hoffman platform assembly, catalog number ADSCPA, purchased separately. • ABB Controls flange-operated devices • Eaton Cutler-Hammer C361 devices • Eaton Cutler-Hammer C371 mechanisms which use C371E, F, G, K operating mechanism • General Electric Type TDA devices (see next paragraph for option) • Schneider Square D Class 9422 devices (see next paragraph for option)

The platform assembly can be omitted if long connecting rods are ordered in place of short connecting rods. • For Eaton Cutler-Hammer operating mechanisms C371E and C371F order catalog number C371CS1 connecting rod. For C371G and C371K order catalog number C371CS2 connecting rod. • For General Electric devices, order catalog number TDSR extended length drive rod • For Schneider Square D devices, order catalog number 9422-R2 extra long operating rod(s). Some devices require two rods. Consult factory for space occupied on panel when platform is used.

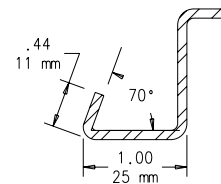
Disconnect Operator on the Right Flange



- NOTES: 1. Optional panels are 10 gauge steel. Right door is master door.
2. Right door includes removable 12.00 x 12.00 (305mm x 305mm) data pocket.

SECTION Y-Y

87568837

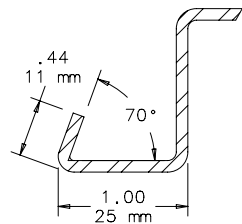
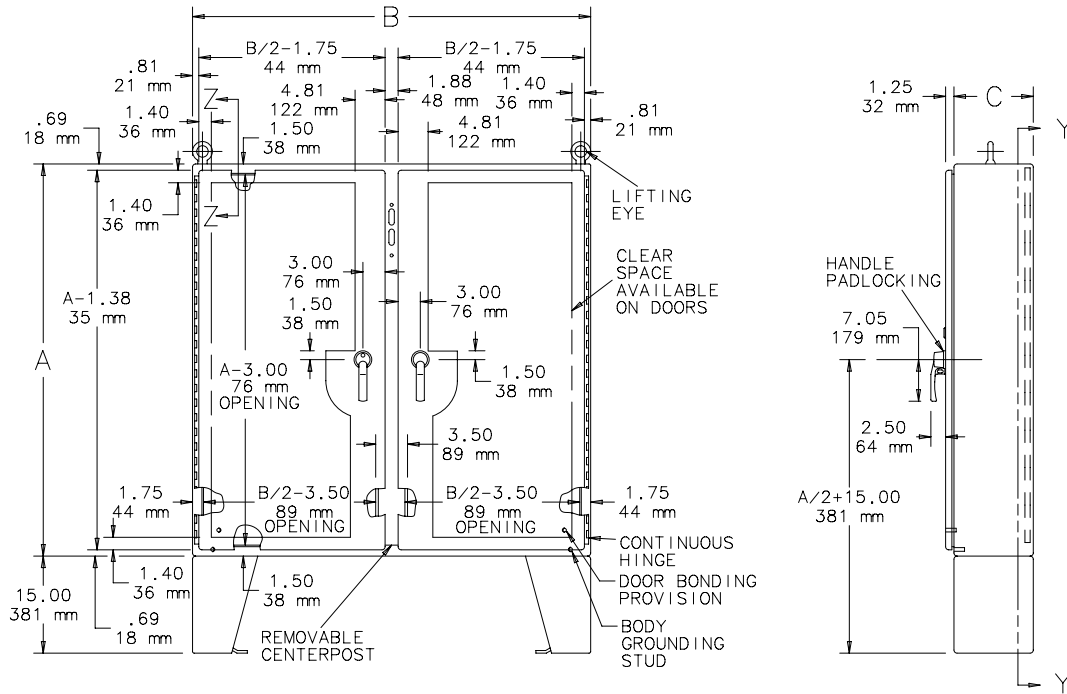


Standard Product **Two-Door with Provision for Disconnect Operator on Centerpost**

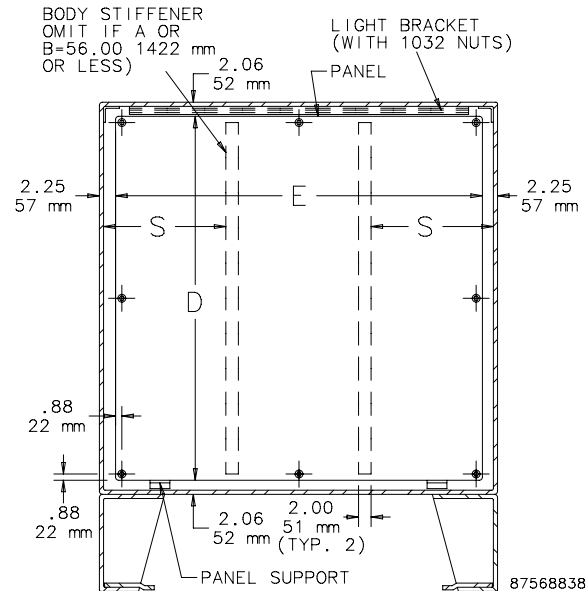
Catalog Number	AxBxC in./mm	Panel	Conductive Panel	Panel Size D x E in./mm
A60CPX4812SSLPN4	60.12 x 48.50 x 12.12 1527 x 1232 x 308	A60P48	A60P48G	56.00 x 44.00 1422 x 1118
A60CPX6012SSLPN4	60.12 x 60.50 x 12.12 1527 x 1537 x 308	A60P60	A60P60G	56.00 x 56.00 1422 x 1422
A72CPX7212SSLPN4	72.12 x 72.50 x 12.12 1832 x 1842 x 308	A72P72	A72P72G	68.00 x 68.00 1727 x 1727
A72CPX7218SSLPN4	72.12 x 72.50 x 18.12 1832 x 1842 x 460	A72P72	A72P72G	68.00 x 68.00 1727 x 1727

Purchase panels separately.

Disconnect Operator on the Centerpost Flange



SECTION Z-Z



SECTION Y-Y

NOTES:

- Optional panels are 10 gauge steel. Left door is master door.
- Right door includes removable 12.00 x 12.00 (305mm x 305mm) data pocket.

87568838

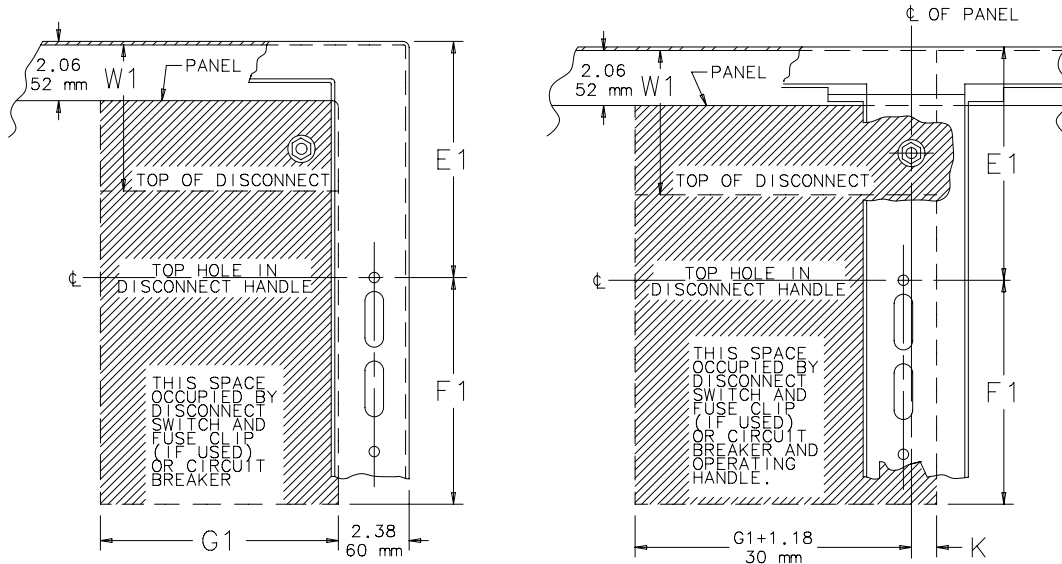


DISCONNECT MOUNTING SPACE

Disconnects will occupy space on panel shown by dimensions E1, F1, G1 and K. Wiring Space W1 is available when disconnect is installed in the enclosure. See the Technical Information chapter for E1 Spacing by Enclosure Height for various disconnect switch manufacturers.

Refer to *National Electrical Code*®, 2005 article 430-10(b) for wiring space required for line side conductors to be connected to disconnect.

Verify your application to determine if wiring space is adequate.



Consult disconnect manufacturer for F1 and G1 dimensions.

11C59193

Notes

GENERAL PURPOSE STAINLESS STEEL TWO-DOOR FLOOR-MOUNT DISCONNECT, TYPE 4X



FEATURES

- Seams continuously welded and ground smooth
- Seamless foam-in-place one-piece gasket provides water-, oil- and dust-tight seal against contaminants
- Heavy-duty three-point latching mechanism on each door, operated by Hoffman's black die-cast POWERGLIDE padlocking handle. Black die-cast quarter-turn latches with slotted insert provided on the top and bottom of each door.
- Master door is far right-hand door on all enclosures
- Master door handle provided with integral screwdriver defeater
- Mechanical interlock activated by master door prevents slave door from being opened first. Doors can be closed in any order.
- Concealed hinges provide 180-degree door opening and allow easy door removal and cleaning of hinge area
- Bolt-on 15-in.-high stainless steel floor stands
- Heavy-duty Type 316L stainless steel lifting eyes
- Collar studs on inside of enclosure back for optional mounting panels
- Removable centerpost for easy panel installation
- Bonding provisions on doors and ground studs on body
- No interior stiffeners to obstruct component mounting
- Provisions for mounting optional fluorescent light packages

SPECIFICATIONS

- 14 gauge doors and 12 gauge body from Type 304 stainless steel
- Flange trough collar on all four sides of door openings
- Data pocket is high-impact plastic attached with pressure-sensitive adhesive
- Preferred cutout on right-hand flange provides mounting for most disconnect operators

FINISH

Stainless steel enclosures are unpainted. External surfaces of front, sides, top and bottom have a #4 finish. Interior welds are not finished. Optional panels have white or conductive finish.

ACCESSORIES

See also Accessories.

Electric Heater
 Electrical Interlocks
 PANELITE Enclosure Lights Overview
 Panels for Type 3R, 4, 4X, 12 and 13 Enclosures
 Steel and Stainless Steel Window Kits

MODIFICATION AND CUSTOMIZATION

Hoffman excels at modifying and customizing products to your specifications. Contact your local Hoffman sales office or distributor for complete information.

BULLETIN: A4S2

INDUSTRY STANDARDS

UL508A Listed; Type 3R, 4, 4X, 12; File No. E61997
 cUL Listed per CSA C22.2 No. 94; Type 3R, 4, 4X, 12; File No. E61997

NEMA/EEMAC: Type 3R, 4, 4X, 12
 IEC 60529, IP66
 Meets NEMA Type 3RX requirements

APPLICATION

This disconnect enclosure is designed to house electronic controls and components. It provides protection from noncorrosive or mildly corrosive elements in both indoor and outdoor environments. Typical applications are in the food and beverage, packaging, water, petroleum and chemical processing industries. Designed to house the most popular disconnect switches and circuit breakers.

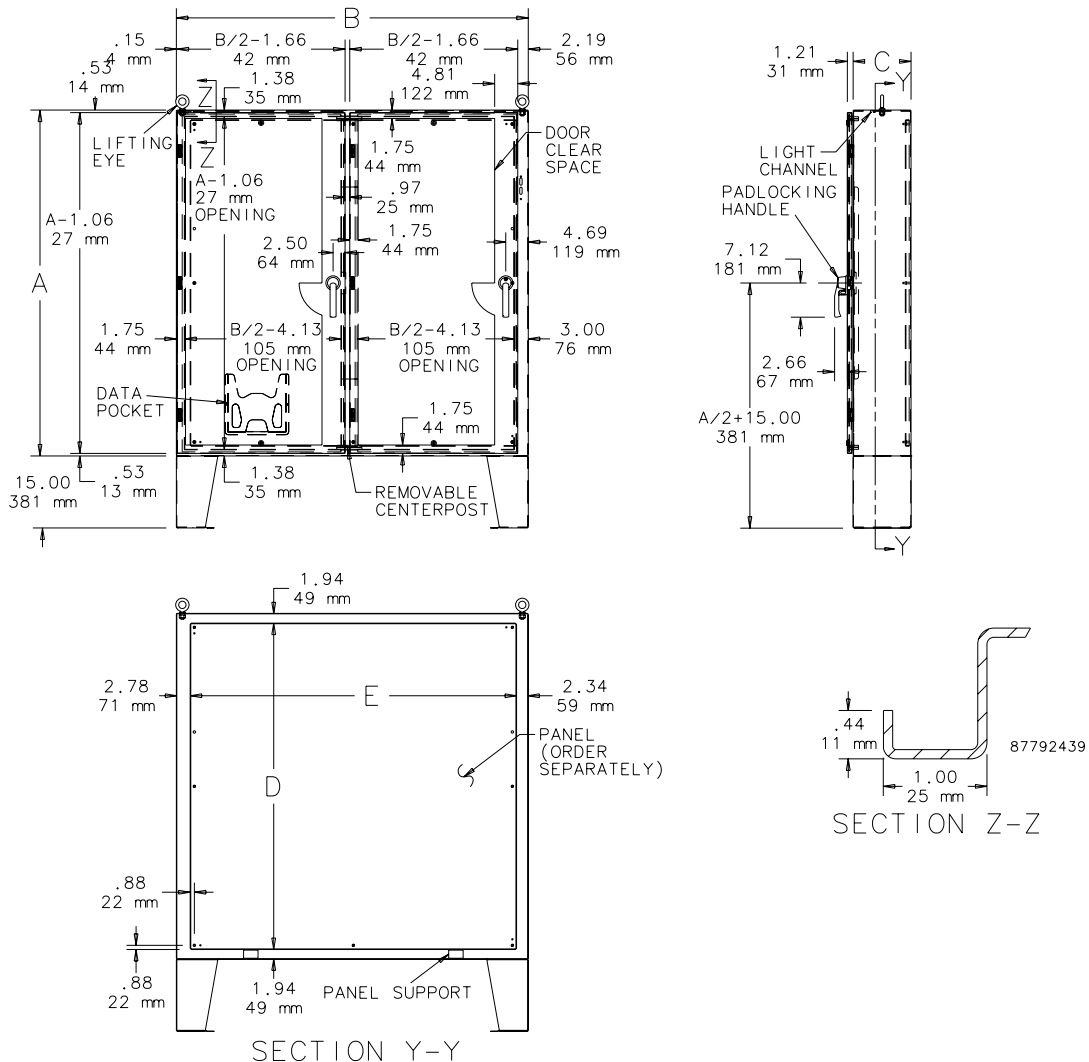
Standard Product

Catalog Number	AxBxC in./mm	Panel	Conductive Panel	Panel Size D x E in./mm	No. of Quarter-turn Latches
A60HX4912SSLPQT	60.06 x 49.31 x 12.06 1526 x 1252 x 306	A60P48	A60P48G	56.00 x 44.00 1422 x 1118	4
A60HX4918SSLPQT	60.06 x 49.31 x 18.06 1526 x 1252 x 459	A60P48	A60P48G	56.00 x 44.00 1422 x 1118	4
A60HX6112SSLPQT	60.06 x 61.31 x 12.06 1526 x 1557 x 306	A60P60	A60P60G	56.00 x 56.00 1422 x 1422	4
A60HX6118SSLPQT	60.06 x 61.31 x 18.06 1526 x 1557 x 459	A60P60	A60P60G	56.00 x 56.00 1422 x 1422	4
A72HX6112SSLPQT	72.06 x 61.31 x 12.06 1830 x 1557 x 306	A72P60	A72P60G	68.00 x 56.00 1727 x 1422	4
A72HX6118SSLPQT	72.06 x 61.31 x 18.06 1830 x 1557 x 459	A72P60	A72P60G	68.00 x 56.00 1727 x 1422	4
A72HX7312SSLPQT	72.06 x 73.31 x 12.06 1830 x 1862 x 306	A72P72	A72P72G	68.00 x 68.00 1727 x 1727	4
A72HX7318SSLPQT	72.06 x 73.31 x 18.06 1830 x 1862 x 459	A72P72	A72P72G	68.00 x 68.00 1727 x 1727	4
A72HX7324SSLPQT	72.06 x 73.31 x 24.06 1830 x 1862 x 611	A72P72	A72P72G	68.00 x 68.00 1727 x 1727	4

Purchase panels separately.

All 24.12-in. (613-mm) and deeper enclosures using short connecting rods in the following models require a Hoffman platform assembly, catalog number ADSCPA, purchased separately. • ABB Controls flange-operated devices • Eaton Cutler-Hammer C361 devices • Eaton Cutler-Hammer C371 mechanisms which use C371E, F, G, K operating mechanism • General Electric Type TDA devices (see next paragraph for option) • Schneider Square D Class 9422 devices (see next paragraph for option)

The platform assembly can be omitted if long connecting rods are ordered in place of short connecting rods. • For Eaton Cutler-Hammer operating mechanisms C371E and C371F order catalog number C371CS1 connecting rod. For C371G and C371K order catalog number C371CS2 connecting rod. • For General Electric devices, order catalog number TDSR extended length drive rod • For Schneider Square D devices, order catalog number 9422-R2 extra long operating rod(s). Some devices require two rods. Consult factory for space occupied on panel when platform is used.



GENERAL PURPOSE SINGLE-DOOR FREE-STAND DISCONNECT, TYPE 4X



INDUSTRY STANDARDS

UL508A Listed; Type 3R, 4, 4X, 12; File No. E61997
 cUL Listed per CSA C22.2 No. 94; Type 3R, 4, 4X, 12; File No. E61997

NEMA/EEMAC: Type 3R, 4, 4X, 12
 IEC 60529, IP66
 Meets NEMA Type 3RX

APPLICATION

This single door stainless steel enclosure with quarter-turn latches is designed to house electronic controls and components. It provides protection from non-corrosive or mildly corrosive elements in both indoor and outdoor environments. Typical applications are in the pharmaceutical, food and beverage, packaging, water, petroleum and chemical processing industries.

SPECIFICATIONS

- Type 304 stainless steel 14 gauge doors and body, and 14 or 12 gauge back
- Seams continuously welded and ground smooth
- Flange trough collar on all four sides of door openings
- Seamless foam-in-place one-piece gasket provides water-, oil- and dust-tight seal against contaminants
- Heavy-duty three-point latching mechanism on each door, operated by Hoffman's black die-cast POWERGLIDE padlocking handle. Black die-cast quarter-turn latches with slotted insert provided on the top and bottom of each door.
- Black Die-Cast POWERGLIDE handle has integral screwdriver defeater

- Collar studs on inside of enclosure back for optional mounting panels
- Concealed stainless steel hinges provide **180-degree door opening** and allow easy door removal and cleaning of hinge area
- Heavy-duty Type 316L stainless steel lifting eyes
- Bonding provision on door; grounding stud on body
- High-impact plastic Data Pocket kit included with enclosure
- Accessory mounting channel provided in enclosure top

FINISH

Stainless steel enclosures are unpainted. External surfaces of front, sides, top and bottom have a #4 finish. Interior welds are not finished. Optional mild steel back panels are painted white. Optional conductive back panels are available.

ACCESSORIES

See also Accessories.

- Heaters
- PANELITE Enclosure Lights Overview
- Panel Support Kit
- Panels for Type 3R, 4, 4X, 12 and 13 Enclosures
- Stainless Steel Window Kits

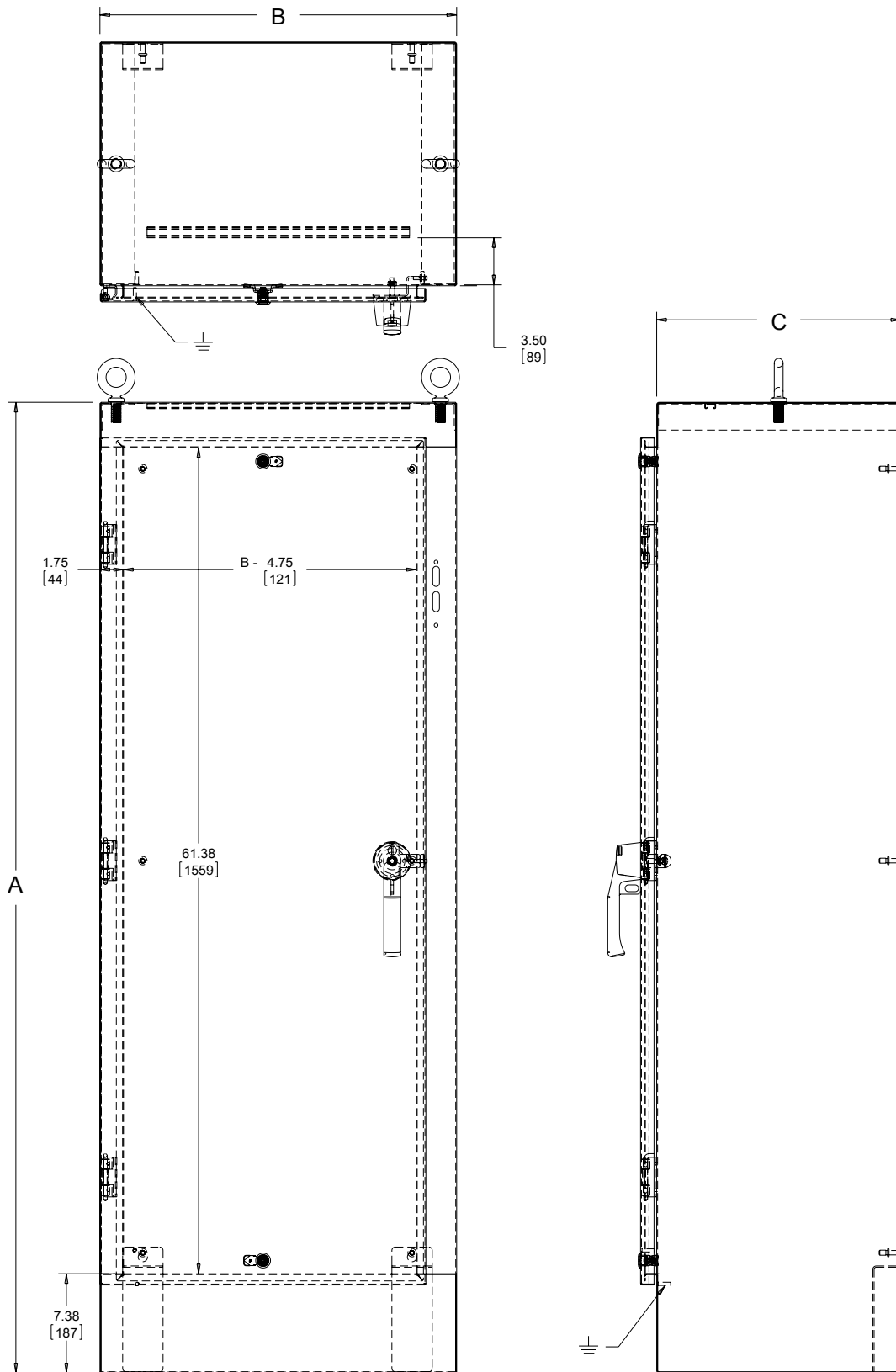
MODIFICATION AND CUSTOMIZATION

Hoffman excels at modifying and customizing products to your specifications. Contact your local Hoffman sales office or distributor for complete information.

BULLETIN: A4S2

Standard Product

Catalog Number	AxBxC in./mm	Panel	Conductive Panel	Panel Size D x E in./mm
A72HXS2718SSLPQT	72.06 x 26.50 x 18.06 1830 x 673 x 459	A72PM28	A72PM28G	60.00 x 21.75 1524 x 552
A72HXS3224SSLPQT	72.06 x 32.50 x 24.06 1830 x 826 x 611	A72PM34	A72PM34G	60.00 x 27.75 1524 x 705
A72HXS3924SSLPQT	72.06 x 38.50 x 24.06 1830 x 978 x 611	A72PM40	A72PM40G	60.00 x 33.75 1524 x 857



89061901



DISCONNECT MOUNTING SPACE

Disconnects will occupy space on panel shown by dimensions E1, F1, G1 and K. Wiring space W1 is available when disconnect is installed in the enclosure.

See the Technical Information chapter for E1 Spacing by Enclosure Height for various disconnect switch manufacturers.

Refer to National Electrical Code®, 2005 article 430-10(b) for wiring space required for line side conductors to be connected to disconnect.

Verify your application to determine if wiring space is adequate.

All 24.12-in. (613-mm) and deeper enclosures using short connecting rods by the following manufacturers require a Hoffman platform assembly, catalog number ADSCPA, purchased separately.

- ABB Controls flange-operated devices
- Eaton Cutler-Hammer C361 devices
- Eaton Cutler-Hammer C371 mechanisms which use C371E, F, G, K operating mechanism (see Disconnect Enclosure Accessories)
- General Electric Type TDA devices (see Disconnect Enclosure Accessories)
- Schneider Square D® Class 9422 devices (see Disconnect Enclosure Accessories)

The platform assembly can be omitted if long connecting rods are ordered in place of short connecting rods.

- For Eaton Cutler-Hammer operating mechanisms C371E and C371F order catalog number C371CS1 connecting rod. For C371G and C371K order catalog number C371CS2 connecting rod.
- For General Electric devices, order catalog number TDSR extended length drive rod
- For Schneider Square D devices, order catalog number 9422-R2 extra long operating rod(s). Some devices require two rods.

Consult factory for space occupied on panel when platform is used.

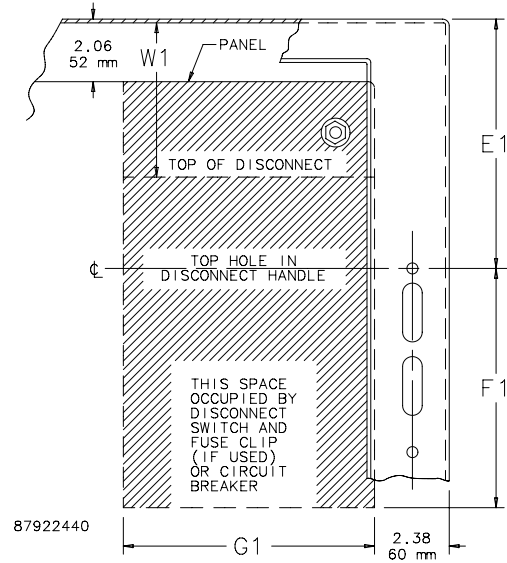
Be sure to match the disconnect device you are using with the correct enclosure size.

A Complete Assembly Consists of:

1. An enclosure
2. A panel
3. A disconnect device

Consult the Technical Information chapter of this catalog for wire bend information.

Disconnect switch [or circuit breakers], operating handle and operating mechanism are not furnished with enclosure.



Consult disconnect manufacturer for F1 and G1 dimensions.

STAINLESS STEEL HEAVY-DUTY FREE-STAND FLANGE-MOUNT DISCONNECTS, TYPE 4X**INDUSTRY STANDARDS**

UL 508A Listed 508; Type 3R, 4, 4X, 12; File No. E61997
 cUL Listed per CSA C22.2 No. 94; Type 3R, 4, 4X, 12; File No. E61997

NEMA/EEMAC Type 3R, Type 4, 4X, 12
 CSA File No. 42186: Type 4, 4X, 12
 IEC 60529, IP66
 Meets NEMA Type 3RX requirements

APPLICATION

This disconnect enclosure is designed to house electronic controls and components. It provides protection from noncorrosive or mildly corrosive elements in both indoor and outdoor environments. Typical applications are in the food and beverage, packaging, water, petroleum and chemical processing industries. Designed to house the most popular disconnect switches and circuit breakers.

SPECIFICATIONS

- Manufactured from 12 gauge Type 304 stainless steel
- Seams continuously welded and ground smooth
- Body stiffeners in larger enclosures for extra rigidity
- Body flange trough collar excludes liquids and contaminants
- Heavy-duty lifting eyes anchor into reinforced top
- Removable centerposts permit easy panel installation
- Heavy-gauge continuous hinges
- Heavy-duty 3-point latching mechanism operated by Type 316L stainless steel POWERGLIDE padlocking handle on all doors
- Panel supports
- Data pocket is high-impact thermoplastic
- Seamless foam-in-place gasket provides oil-tight and dust-tight seal against contaminants
- Removable 10 gauge steel panels mount on collar studs
- Master door is far right-hand door on all enclosures
- Type 316 stainless steel handle with defeater on master door
- Type 316 stainless steel handle (non-defeater) on slave door
- Mechanical interlock activated by master door prevents slave doors from being opened first. Doors can be closed in any order.
- Preferred cutout on right flange provides mounting for most disconnect operators
- Bonding provision on doors; grounding studs on body
- Accessory mounting channel provided in enclosure top

FINISH

Stainless steel enclosures are unpainted. Sides and body have smooth #4 brushed finish. White mild steel panels are furnished with enclosure. Optional conductive panels are available.

ACCESSORIES

See also *Accessories*.

Electric Heater

Compact Cooling Fans

Floor Stand Kit

PANELITE Enclosure Lights Overview

Operator Adapters for Preferred Cutouts

An operator adapter for a preferred cutout must be ordered separately.

MODIFICATION AND CUSTOMIZATION

Hoffman excels at modifying and customizing products to your specifications. Contact your local Hoffman sales office or distributor for complete information.

PATENTS

US 5,634,357

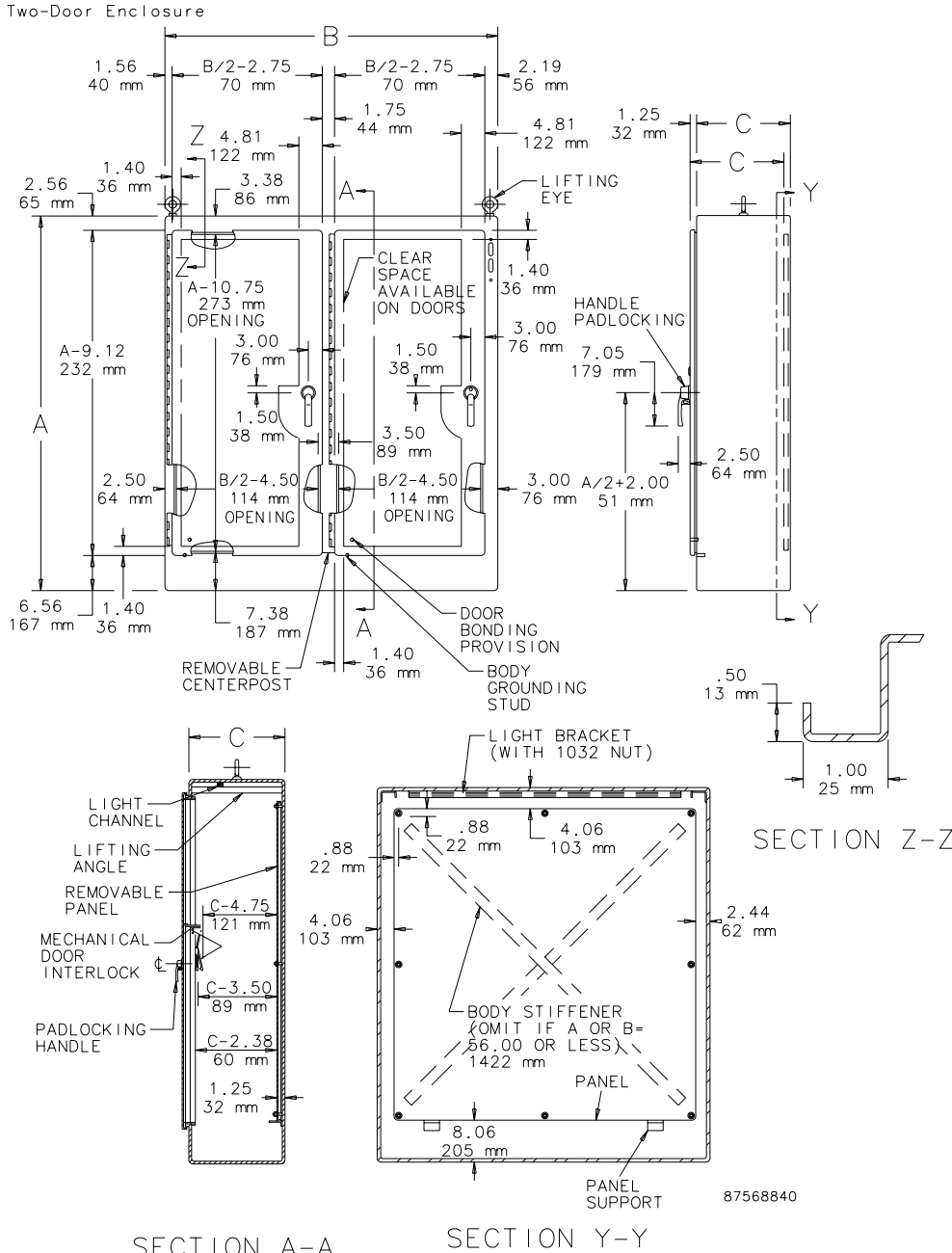
D 385,7683

BULLETIN: A28S4

Standard Product **Two-Door Enclosures**

Catalog Number	AxBxC in.	AxBxC mm	Panel	Conductive Panel	Panel Size (in.)	Panel Size (mm)
A72XM5418SSN4	72.12 x 54.50 x 18.12	1832 x 1384 x 460	A72PM54	A72PM54G	60.00 x 48.00	1524 x 1219
A72XM6618SSN4	72.12 x 66.50 x 18.12	1832 x 1689 x 460	A72PM66	A72PM66G	60.00 x 60.00	1524 x 1524
A72XM7818SSN4	72.12 x 78.50 x 18.12	1832 x 1994 x 460	A72PM78	A72PM78G	60.00 x 72.00	1524 x 1829
A84XM7818SSN4	84.12 x 78.50 x 18.12	2137 x 1994 x 460	A84PM78	A84PM78G	72.00 x 72.00	1829 x 1829
A90XM7818SSN4	90.12 x 78.50 x 18.12	2289 x 1994 x 460	A90PM78	A90PM78G	78.00 x 72.00	1981 x 1829
A90XM7820SSN4	90.12 x 78.50 x 20.12	2289 x 1994 x 511	A90PM78	A90PM78G	78.00 x 72.00	1981 x 1829
A72XM7824SSN4	72.12 x 78.50 x 24.12	1832 x 1994 x 613	A72PM78	A72PM78G	60.00 x 72.00	1524 x 1829
A84XM7824SSN4	84.12 x 78.50 x 24.12	2137 x 1994 x 613	A84PM78	A84PM78G	72.00 x 72.00	1829 x 1829
A90XM7824SSN4	90.12 x 78.50 x 24.12	2289 x 1994 x 613	A90PM78	A90PM78G	78.00 x 72.00	1981 x 1829

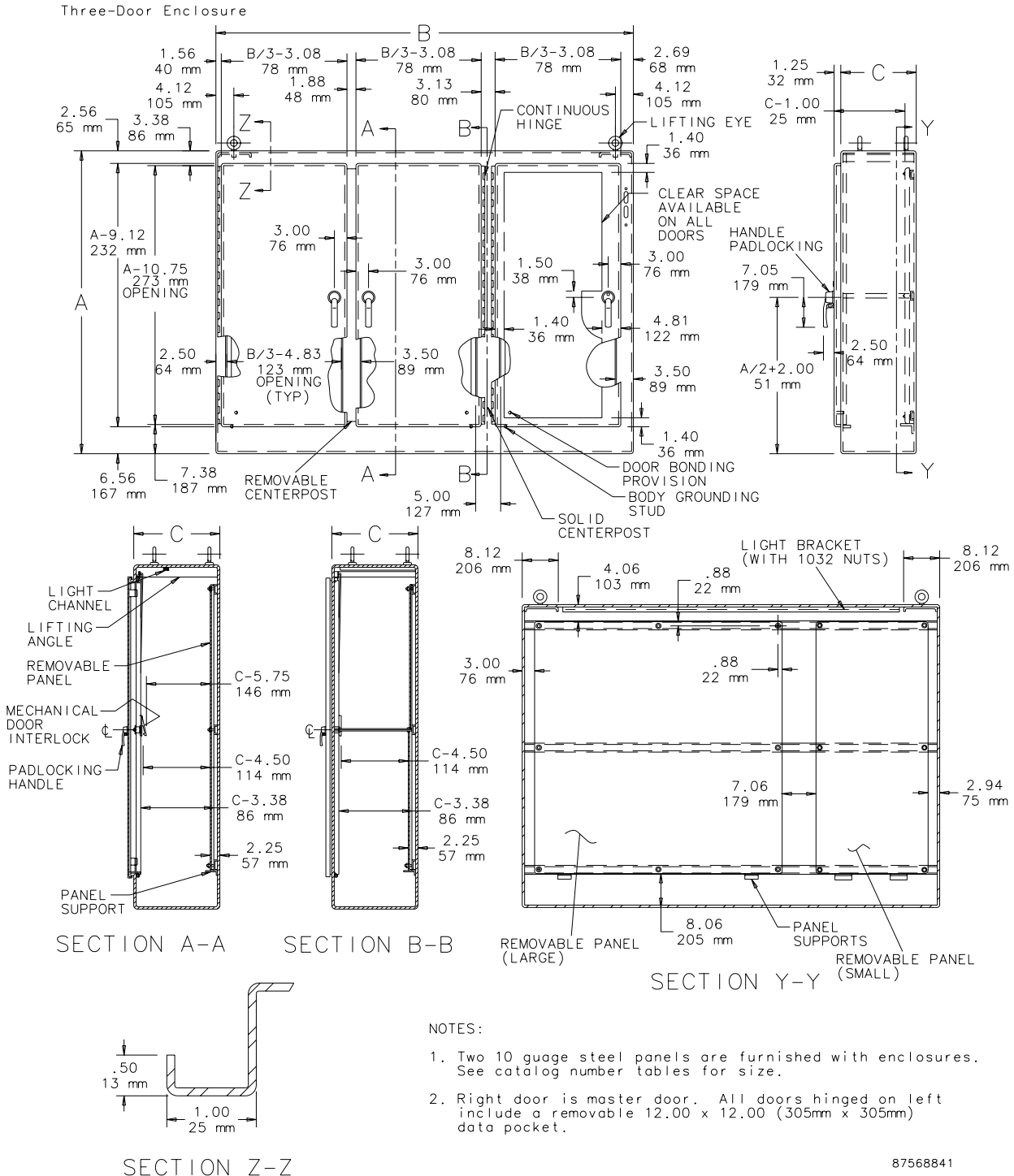
White mild steel panels are furnished with enclosure. Purchase conductive panels separately.



Standard Product **Three-Door Enclosures**

Catalog Number	AxBxC in.	AxBxC mm	Large Panel	Conductive Large Panel	Number of Large Panels	Size of Large Panels (in.)	Size of Large Panels (mm)	Small Panel	Small Conductive Panel	Number of Small Panels	Size of Small Panels (in.)	Size of Small Panels (mm)
A72XM3EQ18SSN4	72.12 x 100.75 x 18.12	1832 x 2559 x 460	A72PM66	A72PM66G	1	60.00 x 60.00	1524 x 1524	A72PM34	A72PM34G	1	60.00 x 27.75	1524 x 705
A72XM3EW18SSN4	72.12 x 118.75 x 18.12	1832 x 3016 x 460	A72PM78	A72PM78G	1	60.00 x 72.00	1524 x 1829	A72PM40	A72PM40G	1	60.00 x 33.75	1524 x 857
A84XM3EW18SSN4	84.12 x 118.75 x 18.12	2137 x 3016 x 460	A84PM78	A84PM78G	1	72.00 x 72.00	1829 x 1829	A84PM40	A84PM40G	1	72.00 x 33.75	1829 x 857
A84XM3EW24SSN4	84.12 x 118.75 x 24.12	2137 x 3016 x 613	A84PM78	A84PM78G	1	72.00 x 72.00	1829 x 1829	A84PM40	A84PM40G	1	72.00 x 33.75	1829 x 857
A90XM3EW24SSN4	90.12 x 118.75 x 24.12	2289 x 3016 x 613	A90PM78	A90PM78G	1	78.00 x 72.00	1981 x 1829	A90PM40	A90PM40G	1	78.00 x 33.75	1981 x 857

White mild steel panels are furnished with enclosure. Purchase conductive panels separately.



87568841

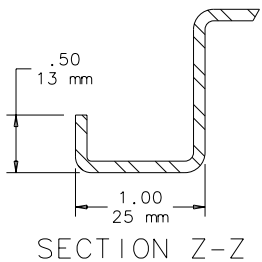
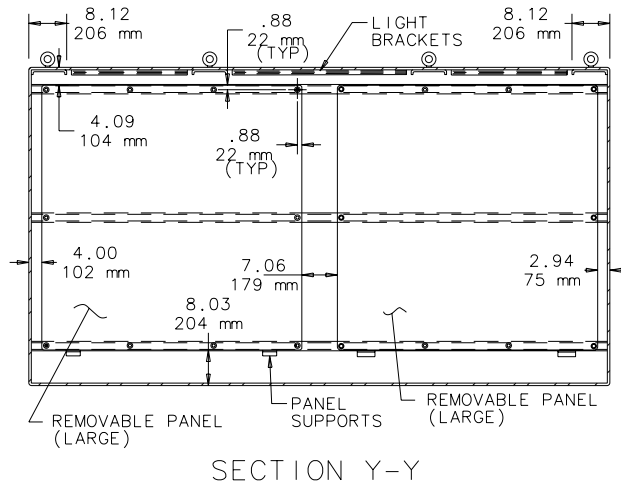
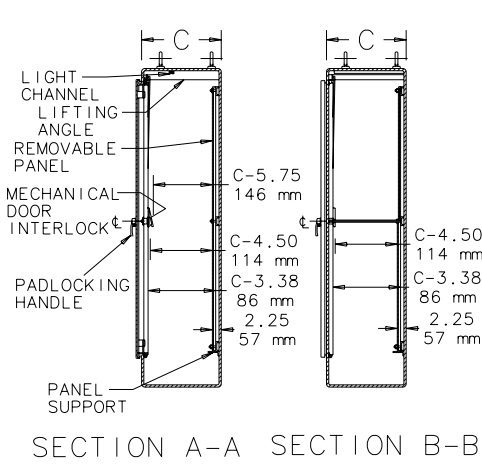
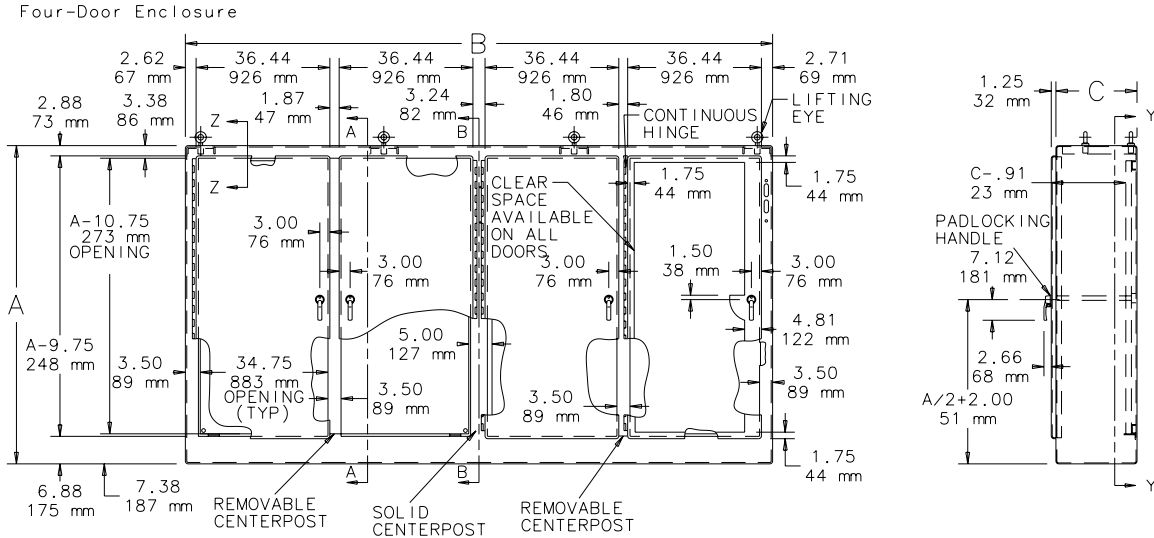
Standard Product **Four- and Five-Door Enclosures**

Catalog Number	AxBxC in.	AxBxC mm	Number of Doors	Panel	Number of Panels	Size of Panels (in.)	Sizes of Panels (mm)
A72XM4EW18SSN4	72.12 x 158.00 x 18.12	1832 x 4013 x 460	4	A72PM78	2	60.00 x 72.00	1524 x 1829
A84XM4EW18SSN4	84.12 x 158.00 x 18.12	2137 x 4013 x 460	4	A84PM78	2	72.00 x 72.00	1829 x 1829
A84XM5EW24SSN4	84.12 x 197.75 x 24.12	2137 x 5023 x 613	5	A84PM78 and A84PM40	2 and 1	72.00 x 72.00 and 72.00 x 33.75	1829 x 1829 and 1329 x 857

White mild steel panels are furnished with enclosure. Optional conductive panels are available.

All 24.12-in. (613-mm) and deeper enclosures using short connecting rods in the following models require a Hoffman platform assembly, catalog number ADSCPA, purchased separately. • ABB Controls flange-operated devices • Eaton Cutler-Hammer C361 devices • Eaton Cutler-Hammer C371 mechanisms which use C371E, F, G, K operating mechanism • General Electric Type TDA devices (see next paragraph for option) • Schneider Square D Class 94Z2 devices (see next paragraph for option)

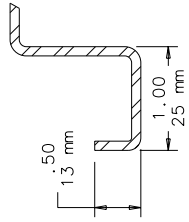
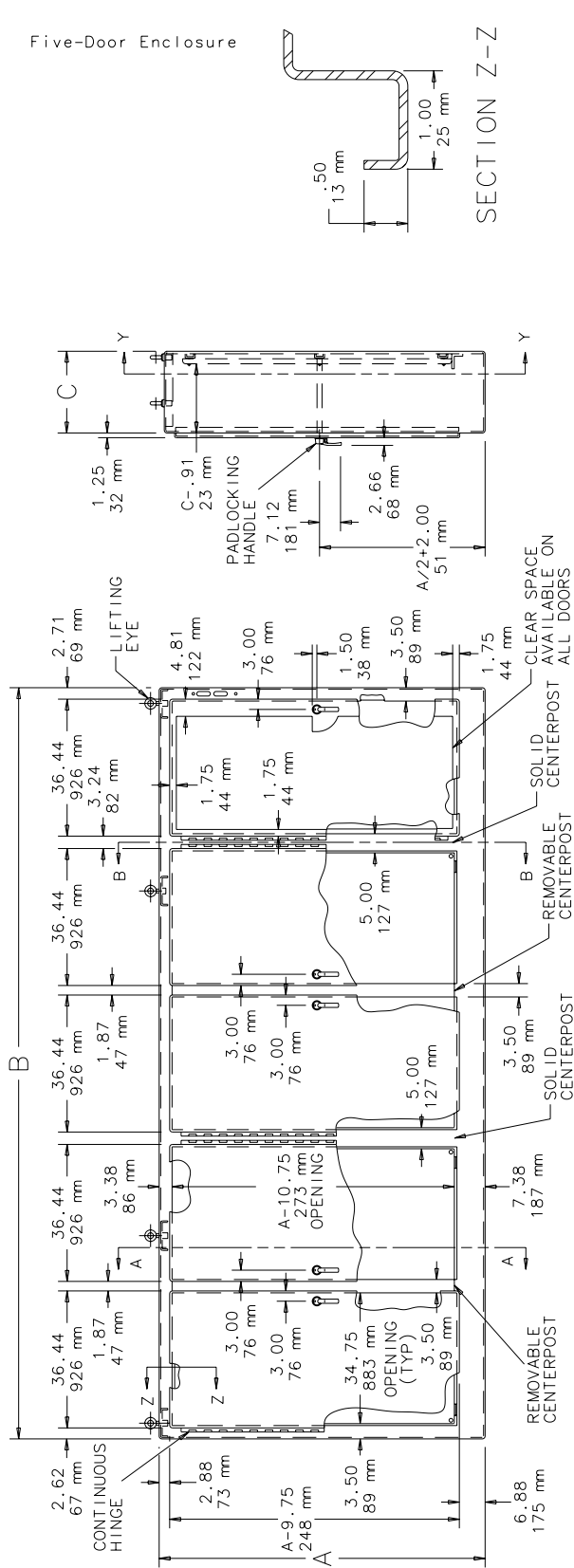
The platform assembly can be omitted if long connecting rods are ordered in place of short connecting rods. • For Eaton Cutler-Hammer operating mechanisms C371E and C371F order catalog number C371CS1 connecting rod. For C371G and C371K order catalog number C371CS2 connecting rod. • For General Electric devices, order catalog number TDSR extended length drive rod • For Schneider Square D devices, order catalog number 9422-R2 extra long operating rod(s). Some devices require two rods. Consult factory for space occupied on panel when platform is used.



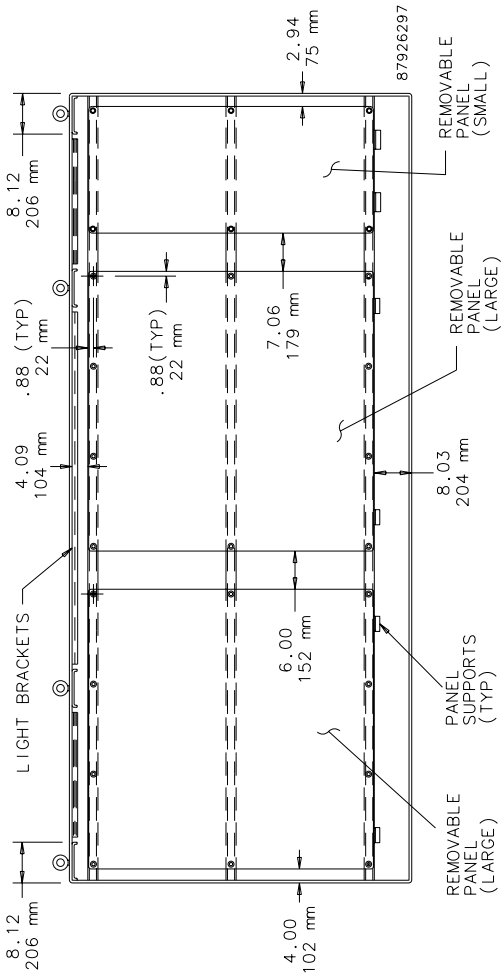
87926296



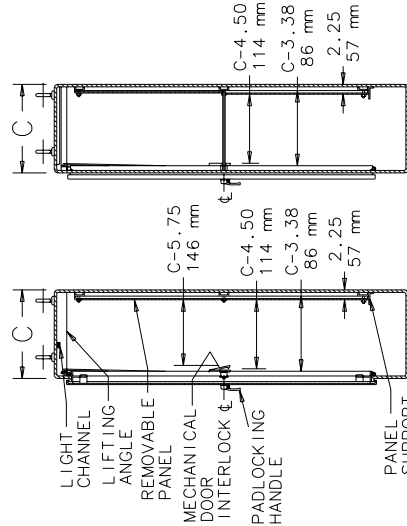
Five-Door Enclosure



SECTION Z-Z



SECTION Y-Y



SECTION B-B

SECTION A-A

DISCONNECT MOUNTING SPACE

Disconnects will occupy space on panel shown by dimensions E1, F1 and G1 in the diagram. Wiring space W1 is available when disconnect is installed in the enclosure.

See the *Technical Information* section for E1 Spacing by Enclosure Height for various disconnect switch manufacturers.

Refer to *National Electrical Code*®, 2005 article 430-10(b) for wiring space required for line side conductors to be connected to disconnect.

Verify your application to determine if wiring space is adequate.

All 24.12-in. (613-mm) and deeper enclosures using short connecting rods by the following manufacturers require a Hoffman platform assembly, catalog number ADSCPA, purchased separately.

- ABB Controls flange-operated devices
- Eaton Cutler-Hammer C361 devices
- Eaton Cutler-Hammer C371 mechanisms which use C371E, F, G, K operating mechanism (see Disconnect Enclosure Accessories)
- General Electric Type TDA devices (see Disconnect Enclosure Accessories)
- Schneider Square D® Class 9422 devices (see Disconnect Enclosure Accessories)

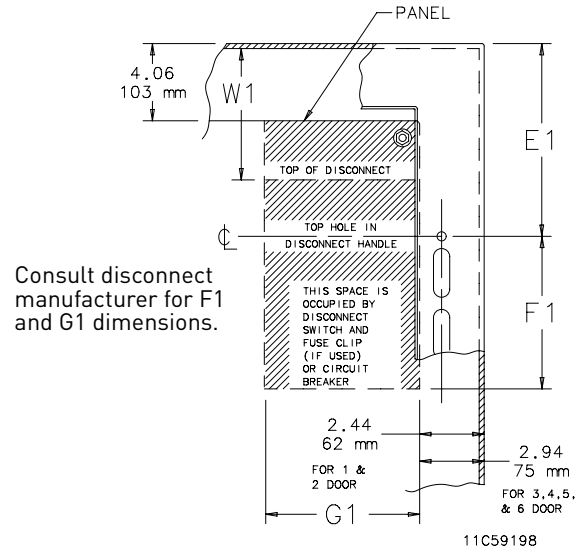
The platform assembly can be omitted if long connecting rods are ordered in place of short connecting rods.

- For Eaton Cutler-Hammer operating mechanisms C371E and C371F order catalog number C371CS1 connecting rod. For C371G and C371K order catalog number C371CS2 connecting rod.
- For General Electric devices, order catalog number TDSR extended length drive rod
- For Schneider Square D devices, order catalog number 9422-R2 extra long operating rod(s). Some devices require two rods.

Consult factory for space occupied on panel when platform is used.

A Complete Assembly Consists of:

1. An enclosure
2. A panel
3. An operator adapter (see Disconnect Enclosure Accessories in this publication to select the proper operator adapter for the brand and type of disconnect being used). *Door hardware is furnished with enclosure.*
4. A disconnect device.



WATERSHED FREE-STANDING STAINLESS STEEL DISCONNECT



SPECIFICATIONS

- Manufactured from 12 gauge Type 304 stainless steel; back is 10 gauge
- Seams continuously welded and ground smooth
- Smooth Type 304 stainless steel lift-off bullet-style hinges
- Hinges are shielded by door edges
- Hinged side of door has provisions to allow direct flushing of hinge area
- 20-degree sloped top facilitates runoff of water and cleaning solutions and prohibits placement of objects on top of enclosure
- 170-degree door opening
- Door edges are sloped 20 degrees at top and bottom edges to facilitate runoff
- Slanted flange trough collar prohibits pooling of fluids along the top edge of the enclosure opening
- Heavy-duty three-point latching mechanism operated by a Type 316 stainless steel POWERGLIDE padlocking handle on all doors
- Master door has POWERGLIDE handle with integral screwdriver defeater
- Mechanical interlock activated by master door prevents slave doors from being opened first. Doors can be closed in any order.
- Master door is far right-hand door on all enclosures
- Seamless foam-in-place one-piece gasket provides an oil-tight, water-tight and dust-tight seal against contaminants
- Bonding provision on doors; grounding stud on body
- Accessory mounting channel provided in enclosure top
- Heavy-duty lifting eyes are Type 316 stainless steel
- Removable centerpost permits easy panel installation
- Panel studs accept optional NEMA-size panels
- Preferred cutout on right flange provides mounting for most disconnect operators
- Mounting holes in bottom of enclosure for direct mounting or for optional sanitary legs or stainless steel floor stands
- Furnished hardware kit consists of panel mounting nuts, grounding hardware and hole seals for bottom mounting holes
- Ends of latch rods have rollers for easier door closing

INDUSTRY STANDARDS

UL 508A Listed; Type 3, 3R, 4, 4X, 12; File Number E61997
 cUL Listed per CSA C22.2 No. 94; Type 3, 3R, 4, 4X, 12; File No. E61997

NSF 169
 NEMA/EEMAC: Type 3R, 4, 4X, 12
 IEC 60529, IP66
 Meets NEMA Type 3RX requirements

APPLICATION

The Hoffman WATERSHED stainless steel free-stand disconnect enclosure, with its unique design and type 4X rating, is a perfect fit for mounting electrical or high-tech electronic equipment in settings such as sanitary washdown production environments, petrochemical plants, pulp and paper facilities, and water treatment plants.

FINISH

Stainless steel enclosures are unpainted. External surfaces have a #4 brushed finish. Optional mild steel panels are painted white. Optional conductive panels are available.

ACCESSORIES

- See also Accessories.*
- Industrial Corrosion Inhibitors
 - Floor Stand Kit
 - Panels for Type 3R, 4, 4X, 12 and 13 Enclosures
 - Operator Adapters for Preferred Cutouts
 - Sanitary Leg Kits
 - An operator adapter for a preferred cutout must be ordered separately.*

BULLETIN: WS2D



Standard Product

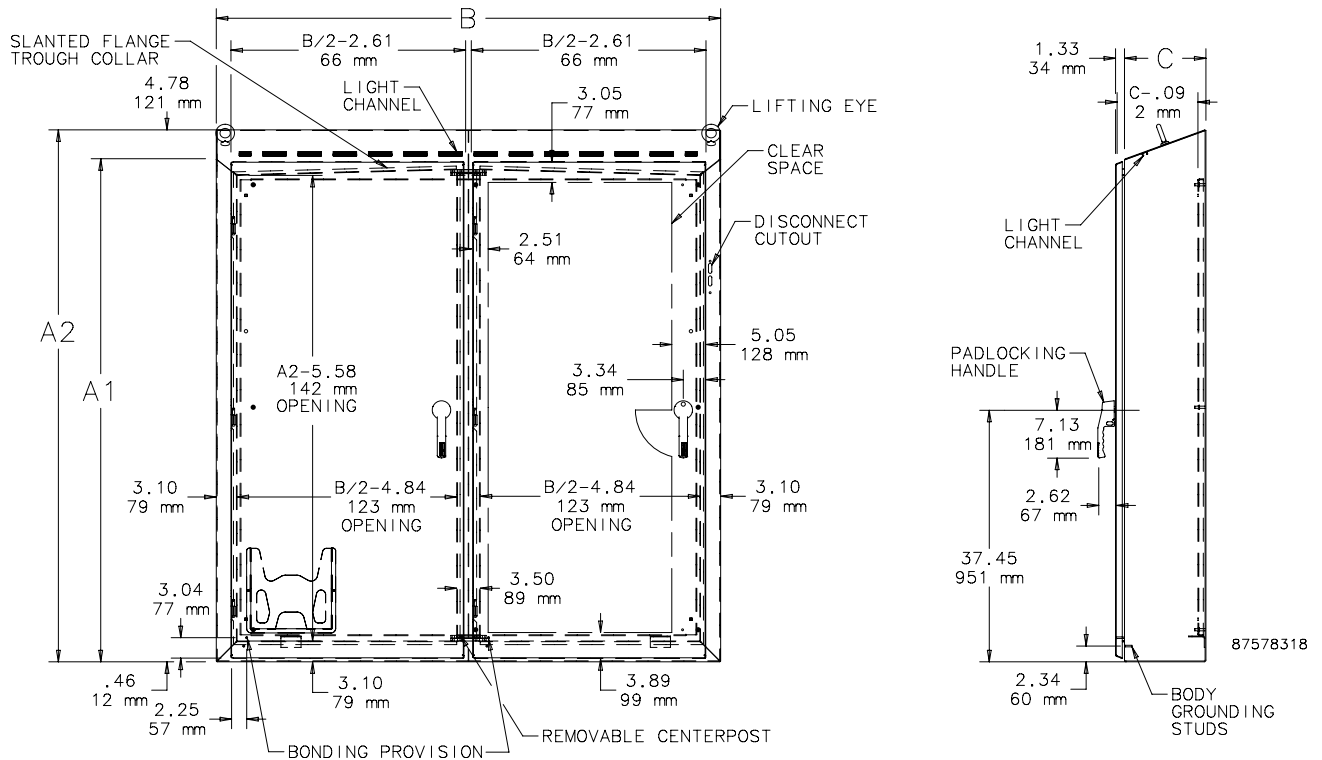
Catalog Number	AxBxC in./mm	A1 in./mm	A2 in./mm	B in./mm	C in./mm	Panel	Conductive Panel
WS62XM5112SS	62.00 x 51.00 x 12.00	62.81	67.20	51.09	12.12	A60P48	A60P48G
	1575 x 1295 x 305	1595	1707	1298	308		
WS62XM5118SS	62.00 x 51.00 x 18.00	62.81	67.20	51.09	18.12	A60P48	A60P48G
	1575 x 1295 x 457	1595	1707	1298	460		
WS62XM6312SS	62.00 x 63.00 x 12.00	62.81	67.20	63.09	12.12	A60P60	A60P60G
	1575 x 1600 x 305	1595	1707	1602	305		
WS62XM6318SS	62.00 x 63.00 x 18.00	62.81	67.20	63.09	18.12	A60P60	A60P60G
	1575 x 1600 x 457	1595	1707	1602	460		
WS74XM6312SS	74.00 x 63.00 x 12.00	74.81	79.20	63.09	12.12	A72P60	A72P60G
	1880 x 1600 x 305	1900	2012	1602	305		
WS74XM6318SS	74.00 x 63.00 x 18.00	74.81	81.38	63.09	18.12	A72P60	A72P60G
	1880 x 1600 x 457	1900	2067	1602	460		
WS74XM7512SS	74.00 x 75.00 x 12.00	74.81	79.20	75.09	12.12	A72P72	A72P72G
	1880 x 1905 x 305	1900	2012	1907	305		
WS74XM7518SS	74.00 x 75.00 x 18.00	74.81	81.38	75.09	18.12	A72P72	A72P72G
	1880 x 1905 x 457	1900	2067	1907	460		
WS74XM7524SS	74.00 x 75.00 x 24.00	74.81	83.57	75.09	24.12	A72P72	A72P72G
	1880 x 1905 x 610	1900	2123	1907	613		

A x B x C are nominal dimensions.

Purchase panels separately.

All 24.12-in. (613-mm) and deeper enclosures using short connecting rods by the following manufacturers require a Hoffman platform assembly, catalog number ADSCPA, purchased separately. • ABB Controls flange-operated devices • Cutler-Hammer C361 devices • Eaton Cutler-Hammer C371 mechanisms which use C371E, F, G, K operating mechanism (see next paragraph for option) • General Electric Type TDA devices (see next paragraph for option) • Schneider Square D Class 9422 devices (see next paragraph for option)

The platform assembly can be omitted if long connecting rods are ordered in place of short connecting rods. • For Eaton Cutler-Hammer operating mechanisms C371E and C371F order catalog number C371CS1 connecting rod. For C371G and C371K order catalog number C371CS2 connecting rod. • For General Electric devices, order catalog number TDSR extended length drive rod • For Schneider Square D devices, order catalog number 9422-R2 extra long operating rod(s). Some devices require two rods. Consult factory for space occupied on panel when platform is used.



DISCONNECT MOUNTING SPACE

Disconnects are located by dimension E1. Wiring space W1 is available when disconnect is installed in the enclosure.

E1 = 8.62 in. (219 mm) when C = 8.00 in. (203 mm)

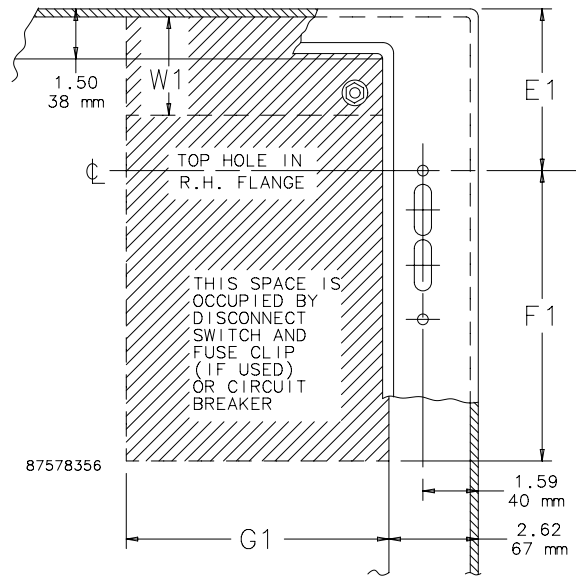
E1 = 11.62 in. (295 mm) when C = 12.00 in. (305 mm)

W1 = Wiring Space.

See *Technical Information* for wire bend space.

Refer to *National Electrical Code*® 2005 article 430.10(B) for wiring space required for line side conductors to be connected to disconnect. Verify your application to determine if wiring space is adequate.

Verify your application to determine if wiring space is adequate.



Consult disconnect manufacturer for F1 and G1 dimensions.

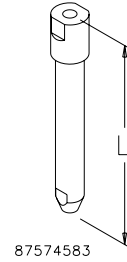
SANITARY LEG KITS



Sanitary Leg Kits provide space between the enclosure and the floor for better washdown accessibility. Available with fixed or independently adjustable legs. Adjustable leg shown. Four legs per kit. Maintains NEMA Type 4X rating when properly installed on a Hoffman Type 4X enclosure.

BULLETIN: WSY

Catalog Number	Description	Size L (in.)	Size L (mm)
WSASLKSS	Adjustable Sanitary Leg Kit	11.50 -12.50	292 -318
WSFSLKSS	Fixed Sanitary Leg Kit	12.00	305



UNIVERSAL CUTOUT OVERVIEW



APPLICATION

The universal cutout is used in large freestand and floorstand enclosures, i.e., Bulletins A21(S), A28(S), A34 and A4L3D. Operator Adapter Kits are required in order to install the various manufacturers' hardware. Note that 400A (or greater) disconnect switches and 600A (or greater) circuit breakers require the "Large" or "High Amp" cutout and large handle. A 200A (or less) disconnect switch and 400A (or less) circuit breaker require a small handle, which is provided in the ABL kit for Allen-Bradley variable-depth disconnect switches or the SITEL kit for Siemens (and select other manufacturers) flex-cable devices. The "Large" or "High Amp" cutout accepts the larger operating handle whose mounting hole centers are 6.500-in. apart. Universal cutouts are designed to house the following:

Allen-Bradley

- Bulletin 1494F flange-mount disconnect switches and Bulletin 1494D flange-mount operators for circuit breakers
- Bulletin 1494V disconnect switches with flange-mount variable-depth operating mechanisms and Bulletin 1494V flange-mount variable-depth operating mechanisms for circuit breakers
- Bulletin 140U flexible cable operating mechanisms for 140U molded case circuit breakers
- Bulletin 140G flexible cable and variable depth flange-mount molded case circuit breakers
- Bulletin 1494C cable-operated disconnect switches with flange-mount handles
- Bulletin 194RC cable-operated flange-mount handles for use with the NFPA 79 compliant 194R IEC rotary disconnect switches

ABB Controls flange-mount variable-depth operating mechanisms for disconnect switches and circuit breakers. Also the cable version for circuit breakers.

Eaton Cutler-Hammer Type C361 disconnect switches and operator mechanisms, and Type C371 circuit breakers and circuit breaker operating mechanisms. Also Type SM safety handle mechanisms and FLEX SHAFT handle operators for circuit breakers.

General Electric Type STDA flange handles and variable-depth operating mechanisms for disconnect switches and circuit breakers. Also SPECTRAFLEX cable operators for circuit breakers.

Siemens ITE MAX FLEX® flange-mount variable-depth operating handles for disconnect switches and circuit breakers.

Schneider Square D® disconnect switches and circuit breakers used with Class 9422 flange-mount variable-depth operating mechanisms or cable mechanisms.

These enclosures will NOT receive Class 9422 bracket-mount disconnect devices, Class 9422TG1 or TG2 devices.

Disconnect Enclosures with Universal Cutout

Universal cutout requires an operator adapter for the brand and type of disconnect being used. See Disconnect Enclosure Accessories to select the operator adapter.

ORDERING

The disconnect switch, operating handle and operating mechanism must be ordered separately. See Technical Information in the Hoffman Specifier's Guide for wire bend space available when various manufacturers' disconnect switches are installed. Check the enclosure dimension drawings to verify the chosen disconnect switch will fit in the enclosure.

All 24.12-in. (613-mm) and deeper enclosures require long connecting rods to be ordered in place of short connecting rods.

TWO-DOOR WITH FLOOR STANDS DISCONNECT ENCLOSURE, TYPE 12**INDUSTRY STANDARDS**

UL 508A Listed; Type 12; File No. E61997 cUL Listed per CSA C22.2 No. 94; Type 12; File No. E61997

NEMA/EEMAC Type 12
 CSA File No. 42186: Type 12
 IEC 60529, IP55

APPLICATION

A disconnect can be installed on the centerpost or right side of this enclosure. Floor stands provide additional height and access for cleaning under the enclosure.

SPECIFICATIONS

- 11 gauge steel (.121 inch)
- Seams continuously welded and ground smooth
- Body stiffeners in larger enclosures for extra rigidity
- Body flange trough excludes liquids and contaminants
- Removable centerposts permit easy panel installation
- Concealed, easy-to-remove hinges
- Heavy-duty 3-point latching mechanism operated by padlocking handle on all doors
- Heavy-duty lifting eyes anchor into reinforced top
- Data pocket is high impact thermoplastic
- 15-in. floor stands are welded to enclosure
- Provisions for mounting lights
- Oil-resistant door gasket
- Panel supports
- Collar studs provided for mounting optional panels

- Master door is right-hand door on X enclosures and left-hand door on CPX enclosures
- Integral defeater on master door handle requires a screwdriver to open
- Mechanical interlock operated by master door prevents slave door from being opened first. Doors can be closed in any order.
- Includes door hardware

FINISH

Two finishes are available: ANSI 61 gray, polyester powder paint outside and inside; or ANSI 61 outside and white, polyester powder paint inside. Optional panels have white or conductive finish.

ACCESSORIES

See also Accessories.

Blank Adapter Plates, Mild Steel
 INTERSAFE Data Interface Ports, Type 4/4X/12
 Operator Adapters for Universal Cutouts
 Panels for Type 3R, 4, 4X, 12 and 13 Enclosures
 Steel and Stainless Steel Window Kits

MODIFICATION AND CUSTOMIZATION

Hoffman excels at modifying and customizing products to your specifications. Contact your local Hoffman sales office or distributor for complete information.

BULLETIN: A21

Standard Product Provision for Disconnect Operator on Right Flange

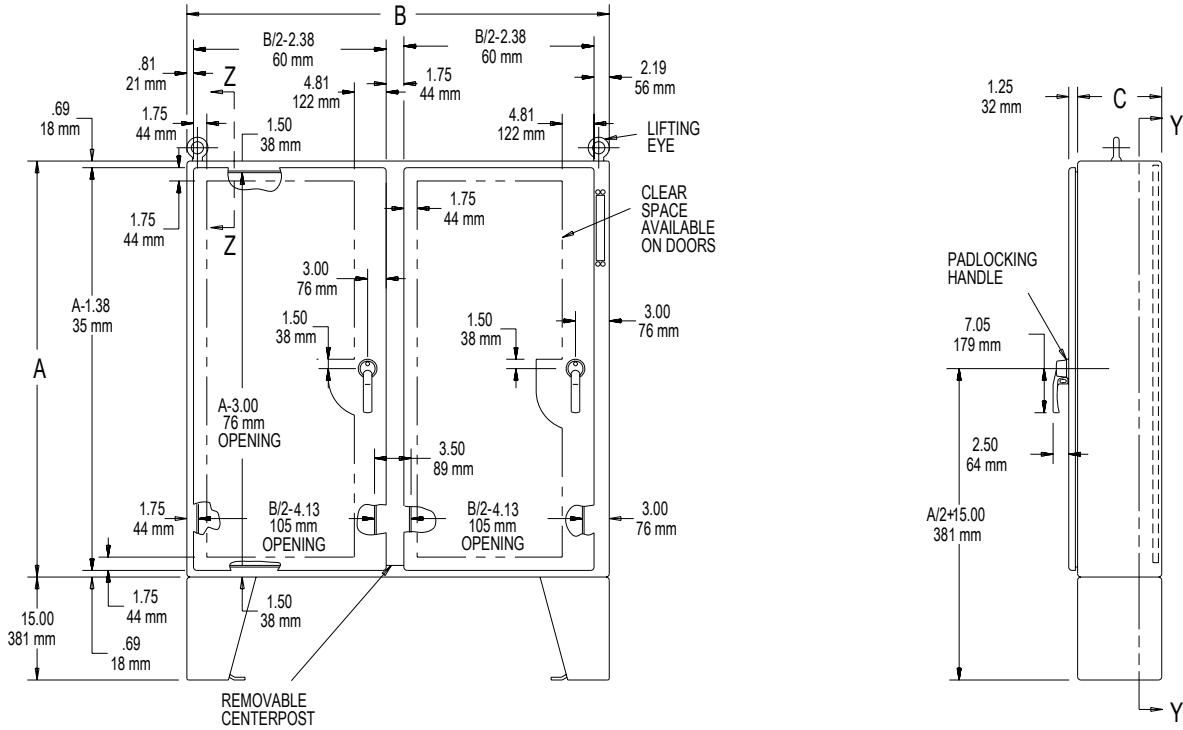
Catalog Number	AxBxC in./mm	Panel	Interior Finish	Conductive Panel	Panel Size D x E in./mm	Stiffener Position S in./mm
A60X4912LPFTCG	60.12 x 49.75 x 12.12 1527 x 1264 x 308	A60P48	Gray	A60P48G	56.00 x 44.00 1422 x 1118	None None
A60X4912LPFTC	60.13 x 49.75 x 12.12 1527 x 1264 x 308	A60P48	White	A60P48G	56.00 x 44.00 1422 x 1118	None None
A60X6112LPFTCG	60.12 x 61.75 x 12.12 1527 x 1568 x 308	A60P60	Gray	A60P60G	56.00 x 56.00 1422 x 1422	21.00 533
A60X6112LPFTC	60.13 x 61.75 x 12.12 1527 x 1568 x 308	A60P60	White	A60P60G	56.00 x 56.00 1422 x 1422	21.00 533
A72X6112LPFTCG	72.12 x 61.75 x 12.12 1832 x 1568 x 308	A72P60	Gray	A72P60G	68.00 x 56.00 1727 x 1422	21.00 533
A72X6112LPFTC	72.13 x 61.75 x 12.12 1832 x 1568 x 308	A72P60	White	A72P60G	68.00 x 56.00 1727 x 1422	21.00 533
A72X7312LPFTCG	72.12 x 73.75 x 12.12 1832 x 1873 x 308	A72P72	Gray	A72P72G	68.00 x 68.00 1727 x 1727	24.00 610
A72X7312LPFTC	72.13 x 73.75 x 12.12 1832 x 1873 x 308	A72P72	White	A72P72G	68.00 x 68.00 1727 x 1727	24.00 610
A60X4918LPFTCG	60.12 x 49.75 x 18.12 1527 x 1264 x 460	A60P48	Gray	A60P48G	56.00 x 44.00 1422 x 1118	None None
A60X4918LPFTC	60.13 x 49.75 x 18.12 1527 x 1264 x 460	A60P48	White	A60P48G	56.00 x 44.00 1422 x 1118	None None
A60X6118LPFTCG	60.12 x 61.75 x 18.12 1527 x 1568 x 460	A60P60	Gray	A60P60G	56.00 x 56.00 1422 x 1422	21.00 533
A60X6118LPFTC	60.13 x 61.75 x 18.12 1527 x 1568 x 460	A60P60	White	A60P60G	56.00 x 56.00 1422 x 1422	21.00 533
A72X6118LPFTCG	72.12 x 61.75 x 18.12 1832 x 1568 x 460	A72P60	Gray	A72P60G	68.00 x 56.00 1727 x 1422	21.00 533
A72X6118LPFTC	72.13 x 61.75 x 18.12 1832 x 1568 x 460	A72P60	White	A72P60G	68.00 x 56.00 1727 x 1422	21.00 533
A72X7318LPFTCG	72.12 x 73.75 x 18.12 1832 x 1873 x 460	A72P72	Gray	A72P72G	68.00 x 68.00 1727 x 1727	24.00 610
A72X7318LPFTC	72.13 x 73.75 x 18.12 1832 x 1873 x 460	A72P72	White	A72P72G	68.00 x 68.00 1727 x 1727	24.00 610
A60X4924LPFTCG	60.12 x 49.75 x 24.12 1527 x 1264 x 613	A60P48	Gray	A60P48G	56.00 x 44.00 1422 x 1118	None None
A60X4924LPFTC	60.13 x 49.75 x 24.12 1527 x 1264 x 613	A60P48	White	A60P48G	56.00 x 44.00 1422 x 1118	None None
A60X6124LPFTCG	60.12 x 61.75 x 24.12 1527 x 1568 x 613	A60P60	Gray	A60P60G	56.00 x 56.00 1422 x 1422	21.00 533
A60X6124LPFTC	60.13 x 61.75 x 24.12 1527 x 1568 x 613	A60P60	White	A60P60G	56.00 x 56.00 1422 x 1422	21.00 533
A72X7324LPFTCG	72.12 x 73.75 x 24.12 1832 x 1873 x 613	A72P72	Gray	A72P72G	68.00 x 68.00 1727 x 1727	24.00 610
A72X7324LPFTC	72.13 x 73.75 x 24.12 1832 x 1873 x 613	A72P72	White	A72P72G	68.00 x 68.00 1727 x 1727	24.00 610

Purchase panels separately.

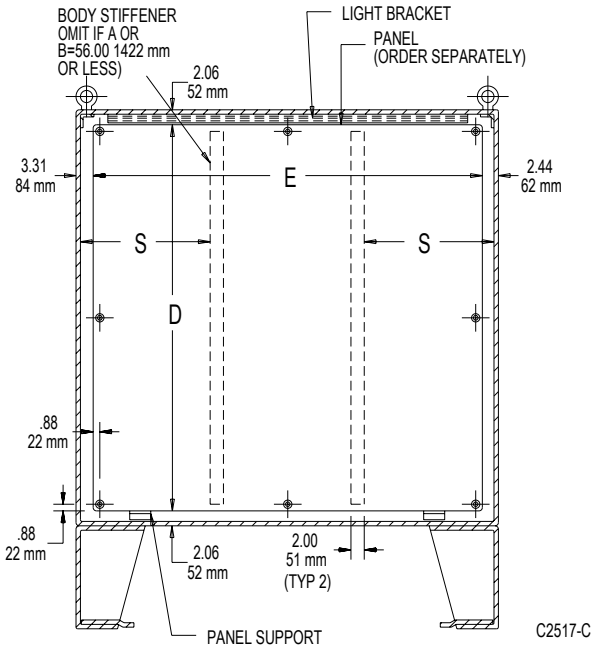
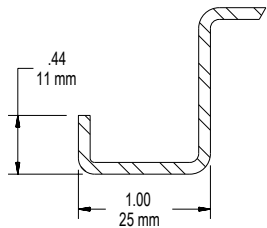
All 24.12-in. (613-mm) and deeper enclosures using short connecting rods in the following models require a Hoffman platform assembly, catalog number ADSCPLA, purchased separately. • ABB Controls flange-operated devices • Eaton Cutler-Hammer C361 devices • Eaton Cutler-Hammer C371 mechanisms which use C371E, F, G, K operating mechanism (see footnote below) • General Electric Type TDA devices (see footnote below) • Schneider Square D Class 9422 devices (see footnote below)

The platform assembly can be omitted if long connecting rods are ordered in place of short connecting rods. • For Eaton Cutler-Hammer operating mechanisms C371E and C371F order catalog number C371CS1 connecting rod. For C371G and C371K order catalog number C371CS2 connecting rod. • For General Electric devices, order catalog number TDSR extended length drive rod • For Schneider Square D devices, order catalog number 9422-R2 extra long operating rod(s). Some devices require two rods.

Disconnect Operator on Right Flange



- Notes: 1. Panels are .121-in. steel. Right door is master door.
- 2. Right door includes removable 12.00 x 12.00 data pocket.



C2517-C



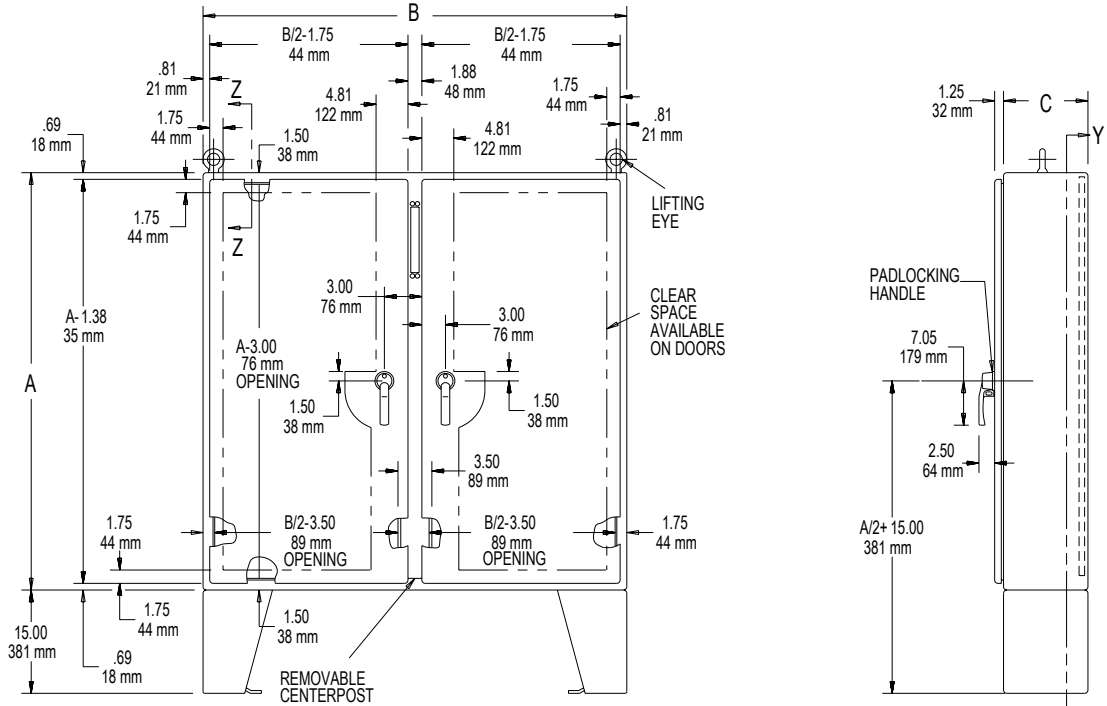
Standard Product Provision for Disconnect Operator on Centerpost

Catalog Number	AxBxC in./mm	Panel	Conductive Panel	Panel Size D x E in./mm	Stiffener Position S in./mm
A60CPX4812LPFTCG	60.12 x 48.50 x 12.12	A60P48	A60P48G	56.00 x 44.00	None
	1527 x 1232 x 308			1422 x 1118	None
A60CPX4812LPFTC	60.13 x 48.50 x 12.12	A60P48	A60P48G	56.00 x 44.00	None
	1527 x 1232 x 308			1422 x 1118	None
A60CPX6012LPFTCG	60.12 x 60.50 x 12.12	A60P60	A60P60G	56.00 x 56.00	21.00
	1527 x 1537 x 308			1422 x 1422	533
A60CPX6012LPFTC	60.13 x 60.50 x 12.12	A60P60	A60P60G	56.00 x 56.00	21.00
	1527 x 1537 x 308			1422 x 1422	533
A72CPX7212LPFTCG	72.12 x 72.50 x 12.12	A72P72	A72P72G	68.00 x 68.00	24.00
	1832 x 1842 x 308			1727 x 1727	610
A72CPX7212LPFTC	72.13 x 72.50 x 12.12	A72P72	A72P72G	68.00 x 68.00	24.00
	1832 x 1842 x 308			1727 x 1727	610
A72CPX7218LPFTCG	72.12 x 72.50 x 18.12	A72P72	A72P72G	68.00 x 68.00	24.00
	1832 x 1842 x 460			1727 x 1727	610
A72CPX7218LPFTC	72.13 x 72.50 x 18.12	A72P72	A72P72G	68.00 x 68.00	24.00
	1832 x 1842 x 460			1727 x 1727	610

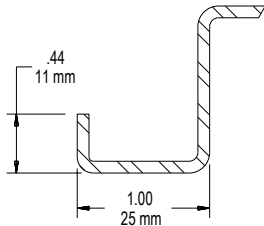
Purchase panels separately.

The platform assembly can be omitted if long connecting rods are ordered in place of short connecting rods. • For Cutler-Hammer operating mechanisms C371E and C371F order catalog number C371CS1 connecting rod. For C371G and C371K order catalog number C371CS2 connecting rod. • For General Electric devices, order catalog number TDSR extended length drive rod • For Square D devices, order catalog number 9422-R2 extra long operating rod(s). Some devices require two rods.

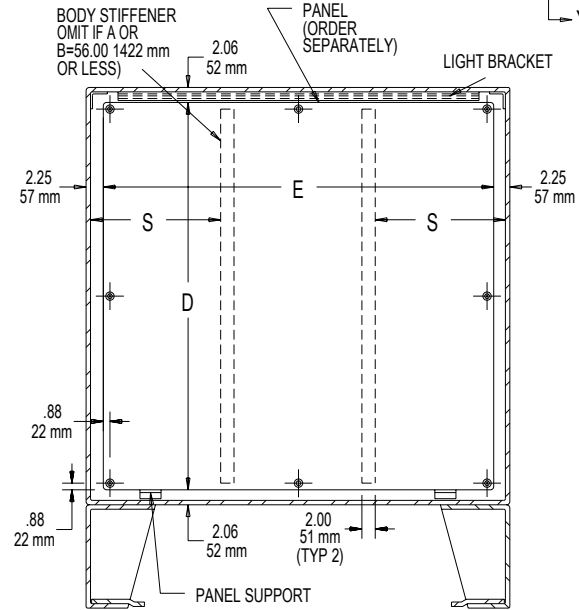
Disconnect Operator on Centerpost



- Note:
1. Panels are .121-in. steel. Left door is master door.
 2. Left door includes removable 12.00 x 12.00 data post.



SECTION Z-Z



SECTION Y-Y

C2518-C



DISCONNECT MOUNTING SPACE

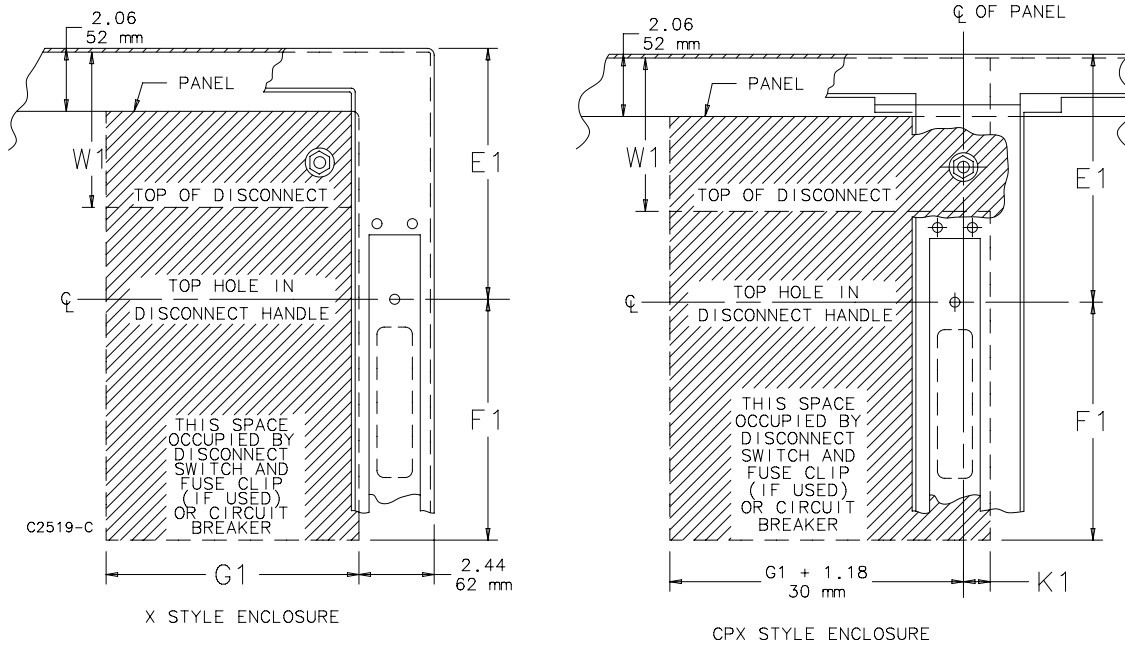
Disconnects are located by dimension E1. Wiring space W1 is available when disconnect is installed in the enclosure. See Technical Information chapter for E1 Spacing by Enclosure Height for various disconnect switch manufacturers.

W1 = Wiring Space

See *Technical Information* chapter for wire bend space.

Refer to **NATIONAL ELECTRICAL CODE, 2005** article 430-10(b) for wiring space required for line side conductors to be connected to disconnect. **Verify your application to determine whether wiring space is adequate.**

Consult *Space Occupied by Disconnect* drawing to determine whether the disconnect device you are using will fit the enclosure size you have selected.



Consult disconnect manufacturer for F1 and G1 dimensions.

HEAVY-DUTY FREE-STAND DISCONNECT ENCLOSURE, TYPE 12**INDUSTRY STANDARDS**

UL 508A Listed; Type 12; File No. E61997 cUL Listed per CSA C22.2 No. 94; Type 12; File No. E61997

NEMA/EEMAC Type 12
 CSA File No. 42186: Type 12
 IEC 60529, IP55

APPLICATION

Simple, heavy-duty and cost-effective, this disconnect enclosure can be ordered with one to six doors to fit a range of applications.

SPECIFICATIONS

- 11 gauge steel (.121 inch)
- Seams continuously welded and ground smooth
- Body stiffeners in larger enclosures for extra rigidity
- Body flange trough excludes liquids and contaminants
- Heavy-duty lifting eyes anchor into reinforced top
- Removable centerposts permit easy panel installation
- Concealed, easy-to-remove hinges
- Heavy-duty 3-point latching mechanism operated by padlocking handle on all doors
- Panel supports
- Data pocket is high-impact thermoplastic
- Oil-resistant gasket
- Master door is far right-hand door on all enclosures
- Defeater on primary door requires a screwdriver to open
- Mechanical interlock activated by master door prevents slave doors from being opened first; doors can be closed in any order
- Universal cutout on right flange provides mounting for most disconnect operators by using operator adapters
- Models available with panel included or panel sold separately
- FTC models include removable painted 10 gauge steel panels which mount on collar studs
- Includes door hardware

FINISH

Two finishes are available: ANSI 61 gray, polyester powder paint outside and inside; or ANSI 61 outside and white, polyester powder paint inside. Panels have white or conductive finish.

ACCESSORIES

See also Accessories.

Blank Adapter Plates, Mild Steel
 Blower Fan Package
 Floor Stand Kit
 Operator Adapters for Universal Cutouts
 Panels for Type 3R, 4, 4X, 12 and 13 Enclosures

MODIFICATION AND CUSTOMIZATION

Hoffman excels at modifying and customizing products to your specifications. Contact your local Hoffman sales office or distributor for complete information.

BULLETIN: A28M1, A28M2, A28MM

Standard Product One-Door Enclosures

Catalog Number	AxBxC in.	AxBxC mm	Interior Finish	With or Without Panel	Painted Panel	Conductive Panel	Panel Size (in.)	Panel Size (mm)
A72XM2818FTCG	72.12 x 28.25 x 18.12	1832 x 718 x 460	Gray	With	A72PM28	A72PM28G	60.00 x 21.75	1524 x 552
A72XM2818FTC	72.12 x 27.50 x 18.12	1832 x 699 x 460	White	With	A72PM28	A72PM28G	60.00 x 21.75	1524 x 552
A72XM2818FTCLPG	72.12 x 28.25 x 18.12	1832 x 718 x 460	Gray	Without	—	—	—	—
A72XM2818FTCLP	72.12 x 28.25 x 18.12	1832 x 718 x 460	White	Without	—	—	—	—
A72XM3418FTCG	72.12 x 34.25 x 18.12	1832 x 870 x 460	Gray	With	A72PM34	A72PM34G	60.00 x 27.75	1524 x 705
A72XM3418FTC	72.12 x 33.50 x 18.12	1832 x 851 x 460	White	With	A72PM34	A72PM34G	60.00 x 27.75	1524 x 705
A72XM3418FTCLPG	72.12 x 34.25 x 18.12	1832 x 870 x 460	Gray	Without	—	—	—	—
A72XM3418FTCLP	72.12 x 34.25 x 18.12	1832 x 870 x 460	White	Without	—	—	—	—
A72XM4018FTCG	72.12 x 40.25 x 18.12	1832 x 1022 x 460	Gray	With	A72PM40	A72PM40G	60.00 x 33.75	1524 x 857
A72XM4018FTC	72.12 x 39.50 x 18.12	1832 x 1003 x 460	White	With	A72PM40	A72PM40G	60.00 x 33.75	1524 x 857
A72XM4018FTCLPG	72.12 x 40.25 x 18.12	1832 x 1022 x 460	Gray	Without	—	—	—	—
A72XM4018FTCLP	72.12 x 40.25 x 18.12	1832 x 1022 x 460	White	Without	—	—	—	—
A84XM4018FTCG	84.12 x 40.25 x 18.12	2137 x 1022 x 460	Gray	With	A84PM40	A84PM40G	72.00 x 33.75	1829 x 857
A84XM4018FTC	84.12 x 39.50 x 18.12	2137 x 1003 x 460	White	With	A84PM40	A84PM40G	72.00 x 33.75	1829 x 857
A84XM4018FTCLPG	84.12 x 40.25 x 18.12	2137 x 1022 x 460	Gray	Without	—	—	—	—
A84XM4018FTCLP	84.12 x 40.25 x 18.12	2137 x 1022 x 460	White	Without	—	—	—	—
A90XM4018FTCG	90.12 x 40.25 x 18.12	2289 x 1022 x 460	Gray	With	A90PM40	A90PM40G	78.00 x 33.75	1981 x 857
A90XM4018FTC	90.12 x 39.50 x 18.12	2289 x 1003 x 460	White	With	A90PM40	A90PM40G	78.00 x 33.75	1981 x 857
A90XM4018FTCLPG	90.12 x 40.25 x 18.12	2289 x 1022 x 460	Gray	Without	—	—	—	—
A90XM4018FTCLP	90.12 x 40.25 x 18.12	2289 x 1022 x 460	White	Without	—	—	—	—
A90XM4020FTCG	90.12 x 40.25 x 20.12	2289 x 1022 x 511	Gray	With	A90PM40	A90PM40G	78.00 x 33.75	1981 x 857
A90XM4020FTC	90.12 x 39.50 x 20.12	2289 x 1003 x 511	White	With	A90PM40	A90PM40G	78.00 x 33.75	1981 x 857
A90XM4020FTCLPG	90.12 x 40.25 x 20.12	2289 x 1022 x 511	Gray	Without	—	—	—	—
A90XM4020FTCLP	90.12 x 40.25 x 20.12	2289 x 1022 x 511	White	Without	—	—	—	—
A84XM4024FTCG	84.12 x 40.25 x 24.12	2137 x 1022 x 613	Gray	With	A84PM40	A84PM40G	72.00 x 33.75	1829 x 857
A84XM4024FTC	84.12 x 39.50 x 24.12	2137 x 1003 x 613	White	With	A84PM40	A84PM40G	72.00 x 33.75	1829 x 857
A84XM4024FTCLPG	84.12 x 40.25 x 24.12	2137 x 1022 x 613	Gray	Without	—	—	—	—
A84XM4024FTCLP	84.12 x 40.25 x 24.12	2137 x 1022 x 613	White	Without	—	—	—	—
A90XM4024FTCG	90.12 x 40.25 x 24.12	2289 x 1022 x 613	Gray	With	A90PM40	A90PM40G	78.00 x 33.75	1981 x 857
A90XM4024FTC	90.12 x 39.50 x 24.12	2289 x 1003 x 613	White	With	A90PM40	A90PM40G	78.00 x 33.75	1981 x 857
A90XM4024FTCLPG	90.12 x 40.25 x 24.12	2289 x 1022 x 613	Gray	Without	—	—	—	—
A90XM4024FTCLP	90.12 x 40.25 x 24.12	2289 x 1022 x 613	White	Without	—	—	—	—

All 24.12-in. (613-mm) and deeper enclosures using short connecting rods in the following models require a Hoffman platform assembly, catalog number ADSCPA, purchased separately. • ABB Controls flange-operated devices • Cutler-Hammer C361 devices • Cutler-Hammer C371 mechanisms which use C371E, F, G, K operating mechanism • General Electric Type TDA devices (see next paragraph for option) • Square D Class 9422 devices (see next paragraph for option)

The platform assembly can be omitted if long connecting rods are ordered in place of short connecting rods. • For Cutler-Hammer operating mechanisms C371E and C371F order catalog number C371CS1 connecting rod. For C371G and C371K order catalog number C371CS2. • For General Electric devices, order catalog number TDSR extended length drive rod • For Square D devices, order catalog number 9422-R2 extra long operating rod(s). Some devices require two rods. Consult factory for space occupied on panel when platform is used.

Enclosures with panel include a painted panel. Order conductive panels separately.

Standard Product Two-Door Enclosures

Catalog Number	AxBxC in.	AxBxC mm	Interior Finish	With or Without Panel	Stiffener Locations (in.)	Stiffener Locations (mm)	Painted Panel	Conductive Panel	Panel Size (in.)	Panel Size (mm)
A72XM5418FTCG	72.12 x 54.50 x 18.12	1832 x 1384 x 460	Gray	With	None	None	A72PM54	A72PM54G	60.00 x 48.00	1524 x 1219
A72XM5418FTC	72.12 x 53.75 x 18.12	1832 x 1365 x 460	White	With	None	None	A72PM54	A72PM54G	60.00 x 48.00	1524 x 1219
A72XM5418FTCLPG	72.12 x 54.50 x 18.12	1832 x 1384 x 460	Gray	Without	None	None	—	—	—	—
A72XM5418FTCLP	72.12 x 54.50 x 18.12	1832 x 1384 x 460	White	Without	None	None	—	—	—	—
A72XM6618FTCG	72.12 x 66.50 x 18.12	1832 x 1689 x 460	Gray	With	21.00	533	A72PM66	A72PM66G	60.00 x 60.00	1524 x 1524
A72XM6618FTC	72.12 x 65.75 x 18.12	1832 x 1670 x 460	White	With	21.00	533	A72PM66	A72PM66G	60.00 x 60.00	1524 x 1524
A72XM6618FTCLPG	72.12 x 66.50 x 18.12	1832 x 1689 x 460	Gray	Without	21.00	533	—	—	—	—
A72XM6618FTCLP	72.12 x 66.50 x 18.12	1832 x 1689 x 460	White	Without	21.00	533	—	—	—	—
A72XM7818FTCG	72.12 x 78.50 x 18.12	1832 x 1994 x 460	Gray	With	24.00	610	A72PM78	A72PM78G	60.00 x 72.00	1524 x 1829
A72XM7818FTC	72.12 x 77.75 x 18.12	1832 x 1975 x 460	White	With	24.00	610	A72PM78	A72PM78G	60.00 x 72.00	1524 x 1829
A72XM7818FTCLPG	72.12 x 78.50 x 18.12	1832 x 1994 x 460	Gray	Without	24.00	610	—	—	—	—
A72XM7818FTCLP	72.12 x 78.50 x 18.12	1832 x 1994 x 460	White	Without	24.00	610	—	—	—	—
A84XM7818FTCG	84.12 x 78.50 x 18.12	2137 x 1994 x 460	Gray	With	24.00	610	A84PM78	A84PM78G	72.00 x 72.00	1829 x 1829
A84XM7818FTC	84.12 x 77.75 x 18.12	2137 x 1975 x 460	White	With	24.00	610	A84PM78	A84PM78G	72.00 x 72.00	1829 x 1829
A84XM7818FTCLPG	84.12 x 78.50 x 18.12	2137 x 1994 x 460	Gray	Without	24.00	610	—	—	—	—
A84XM7818FTCLP	84.12 x 78.50 x 18.12	2137 x 1994 x 460	White	Without	24.00	610	—	—	—	—
A90XM7818FTCG	90.12 x 78.50 x 18.12	2289 x 1994 x 460	Gray	With	24.00	610	A90PM78	A90PM78G	78.00 x 72.00	1981 x 1829
A90XM7818FTC	90.12 x 77.75 x 18.12	2289 x 1975 x 460	White	With	24.00	610	A90PM78	A90PM78G	78.00 x 72.00	1981 x 1829
A90XM7818FTCLPG	90.12 x 78.50 x 18.12	2289 x 1994 x 460	Gray	Without	24.00	610	—	—	—	—
A90XM7818FTCLP	90.12 x 78.50 x 18.12	2289 x 1994 x 460	White	Without	24.00	610	—	—	—	—
A90XM7820FTCG	90.12 x 78.50 x 20.12	2289 x 1994 x 511	Gray	With	24.00	610	A90PM78	A90PM78G	78.00 x 72.00	1981 x 1829
A90XM7820FTC	90.12 x 77.75 x 18.12	2289 x 1975 x 460	White	With	24.00	610	A90PM78	A90PM78G	78.00 x 72.00	1981 x 1829
A90XM7820FTCLPG	90.12 x 78.50 x 20.12	2289 x 1994 x 511	Gray	Without	24.00	610	—	—	—	—
A90XM7820FTCLP	90.12 x 78.50 x 20.12	2289 x 1994 x 511	White	Without	24.00	610	—	—	—	—
A72XM7824FTCG	72.12 x 78.50 x 24.12	1832 x 1994 x 613	Gray	With	24.00	610	A72PM78	A72PM78G	60.00 x 72.00	1524 x 1829
A72XM7824FTC	72.12 x 77.75 x 24.12	1832 x 1975 x 613	White	With	24.00	610	A72PM78	A72PM78G	60.00 x 72.00	1524 x 1829
A72XM7824FTCLPG	72.12 x 78.50 x 24.12	1832 x 1994 x 613	Gray	Without	24.00	610	—	—	—	—
A72XM7824FTCLP	72.12 x 78.50 x 24.12	1832 x 1994 x 613	White	Without	24.00	610	—	—	—	—
A84XM7824FTCG	84.12 x 78.50 x 24.12	2137 x 1994 x 613	Gray	With	24.00	610	A84PM78	A84PM78G	72.00 x 72.00	1829 x 1829
A84XM7824FTC	84.12 x 77.75 x 24.12	2137 x 1975 x 613	White	With	24.00	610	A84PM78	A84PM78G	72.00 x 72.00	1829 x 1829
A84XM7824FTCLPG	84.12 x 78.50 x 24.12	2137 x 1994 x 613	Gray	Without	24.00	610	—	—	—	—
A84XM7824FTCLP	84.12 x 78.50 x 24.12	2137 x 1994 x 613	White	Without	24.00	610	—	—	—	—

Catalog Number	AxBxC in.	AxBxC mm	Interior Finish	With or Without Panel	Stiffener Locations (in.)	Stiffener Locations (mm)	Painted Panel	Conductive Panel	Panel Size (in.)	Panel Size (mm)
A90XM7824FTCG	90.12 x 78.50 x 24.12	2289 x 1994 x 613	Gray	With	24.00	610	A90PM78	A90PM78G	78.00 x 72.00	1981 x 1829
A90XM7824FTC	90.12 x 77.75 x 24.12	2289 x 1975 x 613	White	With	24.00	610	A90PM78	A90PM78G	78.00 x 72.00	1981 x 1829
A90XM7824FTCLPG	90.12 x 78.50 x 24.12	2289 x 1994 x 613	Gray	Without	24.00	610	—	—	—	—
A90XM7824FTCLP	90.12 x 78.50 x 24.12	2289 x 1994 x 613	White	Without	24.00	610	—	—	—	—

Enclosures with panel include a painted panel. Order conductive panels separately.

Standard Product **Three-Door Enclosures**

Catalog Number	AxBxC in.	AxBxC mm	Interior Finish	With or Without Panel	Large Painted Panel	Large Conductive Panel	No. of Large Panels	Large Panel Size (in.)	Large Panel Size (mm)	Small Painted Panel	Small Conductive Panel	No. of Small Panels	Small Panel Size (in.)	Small Panel Size (mm)
A72XM3EQ18FTCG	72.12 x 100.75 x 18.12	1832 x 2559 x 460	Gray	With	A72PM66	A72PM66G	1	60.00 x 60.00	1524 x 1524	A72PM34	A72PM34G	1	60.00 x 27.75	1524 x 705
A72XM3EQ18FTC	72.12 x 99.50 x 18.12	1832 x 2527 x 460	White	With	A72PM66	A72PM66G	1	60.00 x 60.00	1524 x 1524	A72PM34	A72PM34G	1	60.00 x 27.75	1524 x 705
A72XM3EQ18FTCLPG	72.12 x 100.75 x 18.12	1832 x 2559 x 460	Gray	Without	—	—	—	—	—	—	—	—	—	—
A72XM3EQ18FTCLP	72.12 x 100.75 x 18.12	1832 x 2559 x 460	White	Without	—	—	—	—	—	—	—	—	—	—
A72XM3EW18FTCG	72.12 x 118.75 x 18.12	1832 x 3016 x 460	Gray	With	A72PM78	A72PM78G	1	60.00 x 72.00	1524 x 1829	A72PM40	A72PM40G	1	60.00 x 33.75	1524 x 857
A72XM3EW18FTC	72.12 x 117.50 x 18.12	1832 x 2985 x 460	White	With	A72PM78	A72PM78G	1	60.00 x 72.00	1524 x 1829	A72PM40	A72PM40G	1	60.00 x 33.75	1524 x 857
A72XM3EW18FTCLPG	72.12 x 118.75 x 18.12	1832 x 3016 x 460	Gray	Without	—	—	—	—	—	—	—	—	—	—
A72XM3EW18FTCLP	72.12 x 118.75 x 18.12	1832 x 3016 x 460	White	Without	—	—	—	—	—	—	—	—	—	—
A84XM3EW18FTCG	84.12 x 118.75 x 18.12	2137 x 3016 x 460	Gray	With	A84PM78	A84PM78G	1	72.00 x 72.00	1829 x 1829	A84PM40	A84PM40G	1	72.00 x 33.75	1829 x 857
A84XM3EW18FTC	84.12 x 117.50 x 18.12	2137 x 2985 x 460	White	With	A84PM78	A84PM78G	1	72.00 x 72.00	1829 x 1829	A84PM40	A84PM40G	1	72.00 x 33.75	1829 x 857
A84XM3EW18FTCLPG	84.12 x 118.75 x 18.12	2137 x 3016 x 460	Gray	Without	—	—	—	—	—	—	—	—	—	—
A84XM3EW18FTCLP	84.12 x 118.75 x 18.12	2137 x 3016 x 460	White	Without	—	—	—	—	—	—	—	—	—	—
A84XM3EW24FTCG	84.12 x 118.75 x 24.12	2137 x 3016 x 613	Gray	With	A84PM78	A84PM78G	1	72.00 x 72.00	1829 x 1829	A84PM40	A84PM40G	1	72.00 x 33.75	1829 x 857
A84XM3EW24FTC	84.12 x 117.50 x 24.12	2137 x 2985 x 613	White	With	A84PM78	A84PM78G	1	72.00 x 72.00	1829 x 1829	A84PM40	A84PM40G	1	72.00 x 33.75	1829 x 857
A84XM3EW24FTCLPG	84.12 x 118.75 x 24.12	2137 x 3016 x 613	Gray	Without	—	—	—	—	—	—	—	—	—	—
A84XM3EW24FTCLP	84.12 x 118.75 x 24.12	2137 x 3016 x 613	White	Without	—	—	—	—	—	—	—	—	—	—
A90XM3EW24FTCG	90.12 x 118.75 x 24.12	2289 x 3016 x 613	Gray	With	A90PM78	A90PM78G	1	78.00 x 72.00	1981 x 1829	A90PM40	A90PM40G	1	78.00 x 33.75	1981 x 857
A90XM3EW24FTC	90.12 x 117.50 x 24.12	2289 x 2985 x 613	White	With	A90PM78	A90PM78G	1	78.00 x 72.00	1981 x 1829	A90PM40	A90PM40G	1	78.00 x 33.75	1981 x 857
A90XM3EW24FTCLPG	90.12 x 118.75 x 24.12	2289 x 3016 x 613	Gray	Without	—	—	—	—	—	—	—	—	—	—
A90XM3EW24FTCLP	90.12 x 118.75 x 24.12	2289 x 3016 x 613	White	Without	—	—	—	—	—	—	—	—	—	—

Enclosures with panel include a painted panel. Order conductive panels separately.

Standard Product **Four-Door Enclosures**

Catalog Number	AxBxC in.	AxBxC mm	Interior Finish	With or Without Panel	Large Painted Panel	Conductive Large Panel	Number of Large Panels	Size of Large Panels (in.)	Size of Large Panels (mm)
A84XM4EW18FTCG	84.12 x 158.00 x 18.12	2137 x 4013 x 460	Gray	With	A84PM78	A84PM78G	2	72.00 x 72.00	1829 x 1829
A84XM4EW18FTC	84.12 x 157.50 x 18.12	2137 x 4001 x 460	White	With	A84PM78	A84PM78G	2	72.00 x 72.00	1829 x 1829
A84XM4EW18FTCLPG	84.12 x 158.00 x 18.12	2137 x 4013 x 460	Gray	Without	—	—	—	—	—
A84XM4EW18FTCLP	84.12 x 158.00 x 18.12	2137 x 4013 x 460	White	Without	—	—	—	—	—
A90XM4EW18FTCG	90.12 x 158.00 x 18.12	2289 x 4013 x 460	Gray	With	A90PM78	A90PM78G	2	78.00 x 72.00	1981 x 1829
A90XM4EW18FTC	90.12 x 157.50 x 18.12	2289 x 4001 x 460	White	With	A90PM78	A90PM78G	2	78.00 x 72.00	1981 x 1829
A90XM4EW18FTCLPG	90.12 x 158.00 x 18.12	2289 x 4013 x 460	Gray	Without	—	—	—	—	—
A90XM4EW18FTCLP	90.12 x 158.00 x 18.12	2289 x 4013 x 460	White	Without	—	—	—	—	—
A84XM4EW24FTCG	84.12 x 158.00 x 24.12	2137 x 4013 x 613	Gray	With	A84PM78	A84PM78G	2	72.00 x 72.00	1829 x 1829
A84XM4EW24FTC	84.12 x 157.50 x 24.12	2137 x 4001 x 613	White	With	A84PM78	A84PM78G	2	72.00 x 72.00	1829 x 1829
A84XM4EW24FTCLPG	84.12 x 158.00 x 24.12	2137 x 4013 x 613	Gray	Without	—	—	—	—	—
A84XM4EW24FTCLP	84.12 x 158.00 x 24.12	2137 x 4013 x 613	White	Without	—	—	—	—	—
A90XM4EW24FTCG	90.12 x 158.00 x 24.12	2289 x 4013 x 613	Gray	With	A90PM78	A90PM78G	2	78.00 x 72.00	1981 x 1829
A90XM4EW24FTC	90.12 x 157.50 x 24.12	2289 x 4001 x 613	White	With	A90PM78	A90PM78G	2	78.00 x 72.00	1981 x 1829
A90XM4EW24FTCLPG	90.12 x 158.00 x 24.12	2289 x 4013 x 613	Gray	Without	—	—	—	—	—
A90XM4EW24FTCLP	90.12 x 158.00 x 24.12	2289 x 4013 x 613	White	Without	—	—	—	—	—

Enclosures with panel include a painted panel. Order conductive panels separately.

Standard Product **Five-Door Enclosures**

Catalog Number	AxBxC in.	AxBxC mm	Interior Finish	With or Without Panel	Large Painted Panel	Conductive Large Panel	No. of Large Panels	Large Panel Size (in.)	Large Panel Size (mm)	Small Painted Panel	Conductive Small Panel	No. of Small Panels	Small Panel Size (in.)	Small Panel Size (mm)
A84XM5EW18FTCG	84.12 x 197.75 x 18.12	2137 x 5023 x 460	Gray	With	A84PM78	A84PM78G	2	72.00 x 72.00	1829 x 1829	A84PM40	A84PM40G	1	72.00 x 33.75	1829 x 857
A84XM5EW18FTC	84.12 x 196.75 x 18.12	2137 x 4997 x 460	White	With	A84PM78	A84PM78G	2	72.00 x 72.00	1829 x 1829	A84PM40	A84PM40G	1	72.00 x 33.75	1829 x 857
A84XM5EW18FTCLPG	84.12 x 197.75 x 18.12	2137 x 5023 x 460	Gray	Without	—	—	—	—	—	—	—	—	—	—
A84XM5EW18FTCLP	84.12 x 197.75 x 18.12	2137 x 5023 x 460	White	Without	—	—	—	—	—	—	—	—	—	—
A90XM5EW18FTCG	90.12 x 197.75 x 18.12	2289 x 5023 x 460	Gray	With	A90PM78	A90PM78G	2	78.00 x 72.00	1981 x 1829	A90PM40	A90PM40G	1	78.00 x 33.75	1981 x 857
A90XM5EW18FTC	90.12 x 196.75 x 18.12	2289 x 4997 x 460	White	With	A90PM78	A90PM78G	2	78.00 x 72.00	1981 x 1829	A90PM40	A90PM40G	1	78.00 x 33.75	1981 x 857
A90XM5EW18FTCLPG	90.12 x 197.75 x 18.12	2289 x 5023 x 460	Gray	Without	—	—	—	—	—	—	—	—	—	—
A90XM5EW18FTCLP	90.12 x 197.75 x 18.12	2289 x 5023 x 460	White	Without	—	—	—	—	—	—	—	—	—	—
A84XM5EW24FTCG	84.12 x 197.75 x 24.12	2137 x 5023 x 613	Gray	With	A84PM78	A84PM78G	2	72.00 x 72.00	1829 x 1829	A84PM40	A84PM40G	1	72.00 x 33.75	1829 x 857
A84XM5EW24FTC	84.12 x 196.75 x 24.12	2137 x 4997 x 613	White	With	A84PM78	A84PM78G	2	72.00 x 72.00	1829 x 1829	A84PM40	A84PM40G	1	72.00 x 33.75	1829 x 857
A84XM5EW24FTCLPG	84.12 x 197.75 x 24.12	2137 x 5023 x 613	Gray	Without	—	—	—	—	—	—	—	—	—	—
A84XM5EW24FTCLP	84.12 x 197.75 x 24.12	2137 x 5023 x 613	White	Without	—	—	—	—	—	—	—	—	—	—
A90XM5EW24FTCG	90.12 x 197.75 x 24.12	2289 x 5023 x 613	Gray	With	A90PM78	A90PM78G	2	78.00 x 72.00	1981 x 1829	A90PM40	A90PM40G	1	78.00 x 33.75	1981 x 857
A90XM5EW24FTC	90.12 x 196.75 x 24.12	2289 x 4997 x 613	White	With	A90PM78	A90PM78G	2	78.00 x 72.00	1981 x 1829	A90PM40	A90PM40G	1	78.00 x 33.75	1981 x 857
A90XM5EW24FTCLPG	90.12 x 197.75 x 24.12	2289 x 5023 x 613	Gray	Without	—	—	—	—	—	—	—	—	—	—
A90XM5EW24FTCLP	90.12 x 197.75 x 24.12	2289 x 5023 x 613	White	Without	—	—	—	—	—	—	—	—	—	—

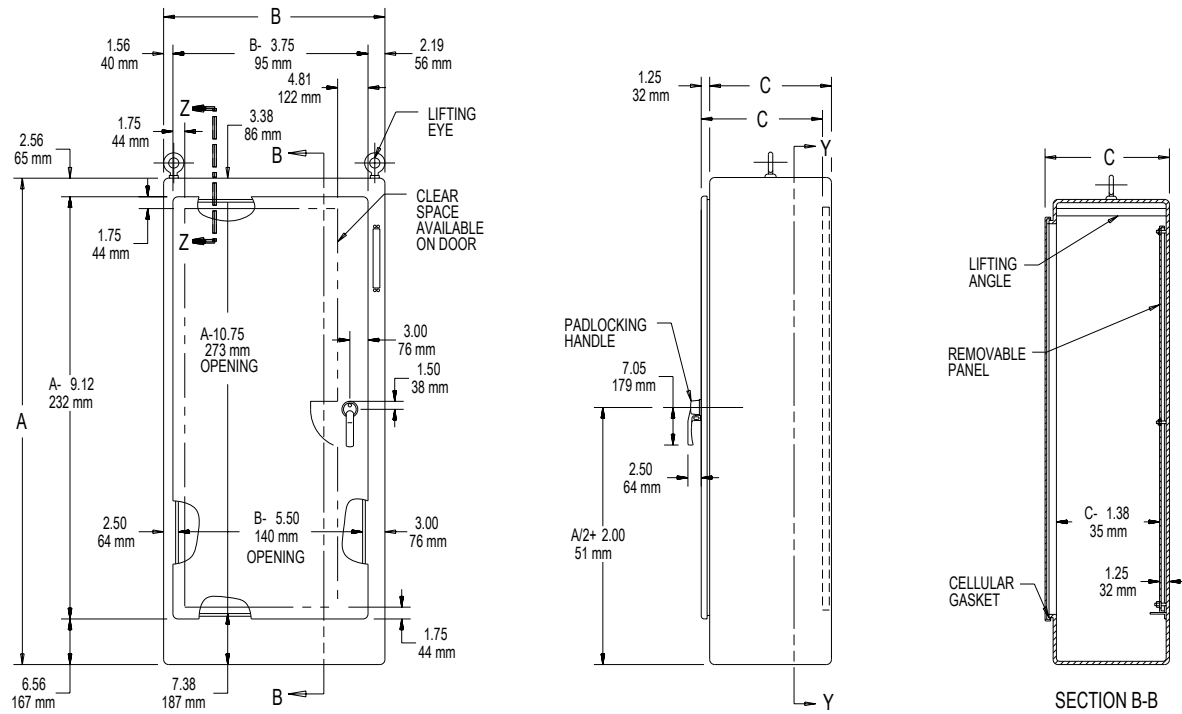
Enclosures with panel include a painted panel. Order conductive panels separately.



Standard Product **Six-Door Enclosures**

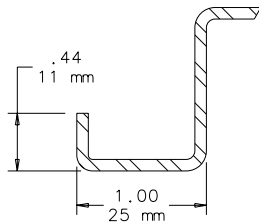
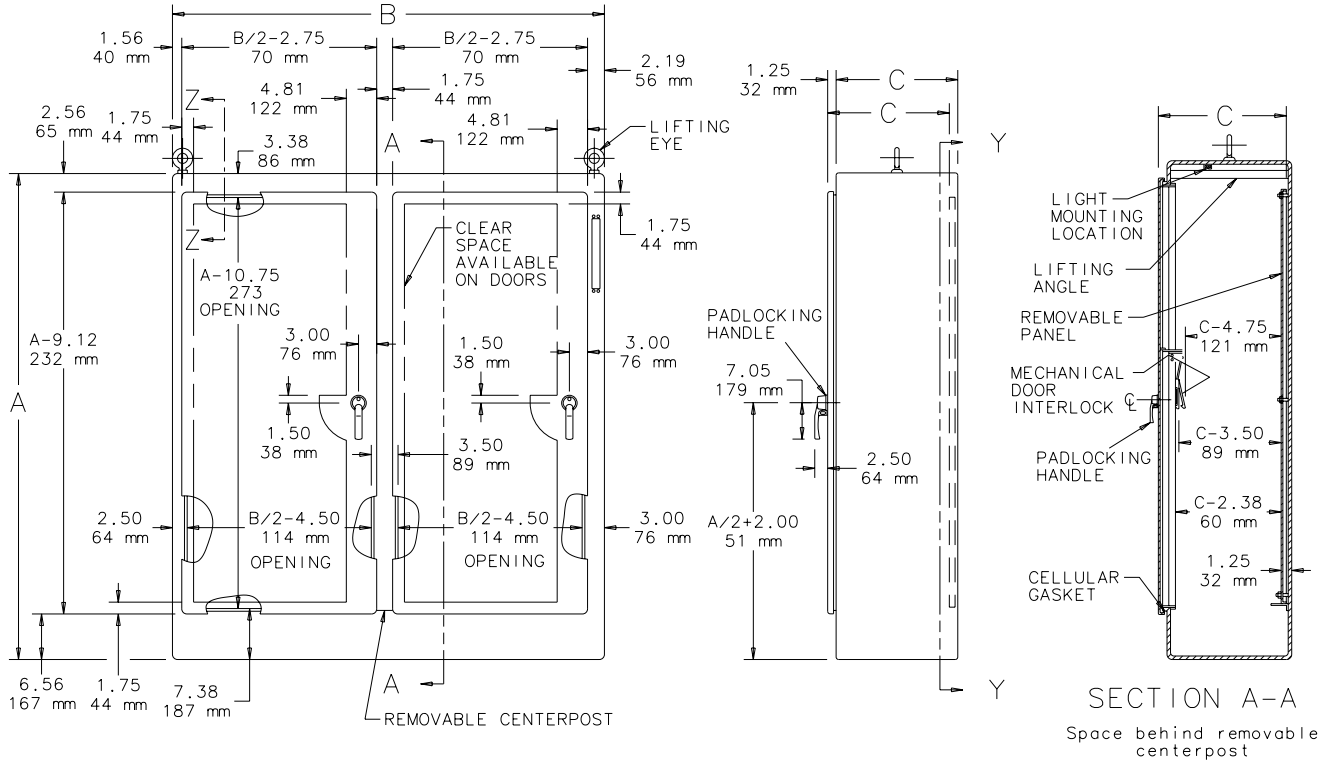
Catalog Number	AxBxC in.	AxBxC mm	Interior Finish	With or Without Panel	Large Painted Panel	Conductive Large Panel	Number of Large Panels	Size of Large Panels (in.)	Size of Large Panels (mm)
A84XM6EW24FTCG	84.12 x 236.00 x 24.12	2137 x 5994 x 613	Gray	With	A84PM78	A84PM78G	3	72.00 x 72.00	1829 x 1829
A84XM6EW24FTC	84.12 x 235.00 x 24.12	2137 x 5969 x 613	White	With	A84PM78	A84PM78G	3	72.00 x 72.00	1829 x 1829
A84XM6EW24FTCLPG	84.12 x 236.00 x 24.12	2137 x 5994 x 613	Gray	Without	—	—	—	—	—
A84XM6EW24FTCLP	84.12 x 236.00 x 24.12	2137 x 5994 x 613	White	Without	—	—	—	—	—
A90XM6EW24FTCG	90.12 x 236.00 x 24.12	2289 x 5994 x 613	Gray	With	A90PM78	A90PM78G	3	78.00 x 72.00	1981 x 1829
A90XM6EW24FTC	90.12 x 235.00 x 24.12	2289 x 5969 x 613	White	With	A90PM78	A90PM78G	3	78.00 x 72.00	1981 x 1829
A90XM6EW24FTCLPG	90.12 x 236.00 x 24.12	2289 x 5994 x 613	Gray	Without	—	—	—	—	—
A90XM6EW24FTCLP	90.12 x 197.75 x 24.12	2289 x 5023 x 613	White	Without	—	—	—	—	—

Enclosures with panel include a painted panel. Order conductive panels separately.

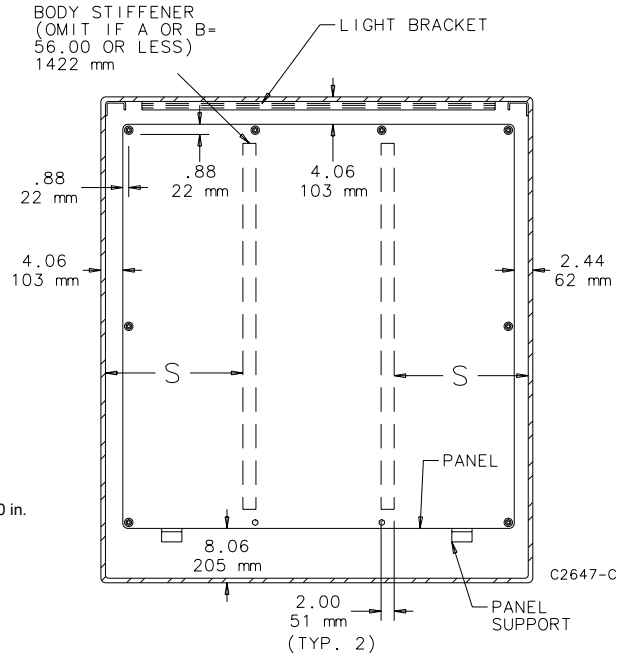
One-Door Enclosure


NOTE: 1. 121-in. steel panel is furnished with FTC enclosures. FTCLP models are less panel; panels can be purchased separately. See catalog number table for size.
2. Door has removable 12.00 x 12.00 data pocket.

Two-Door Enclosure



SECTION Z-Z



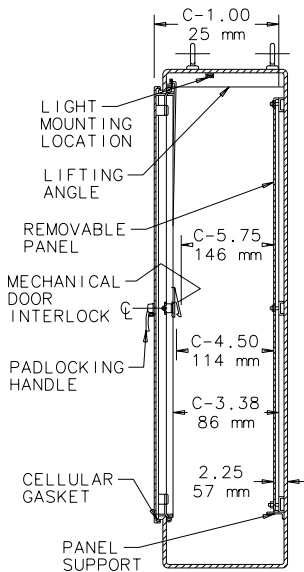
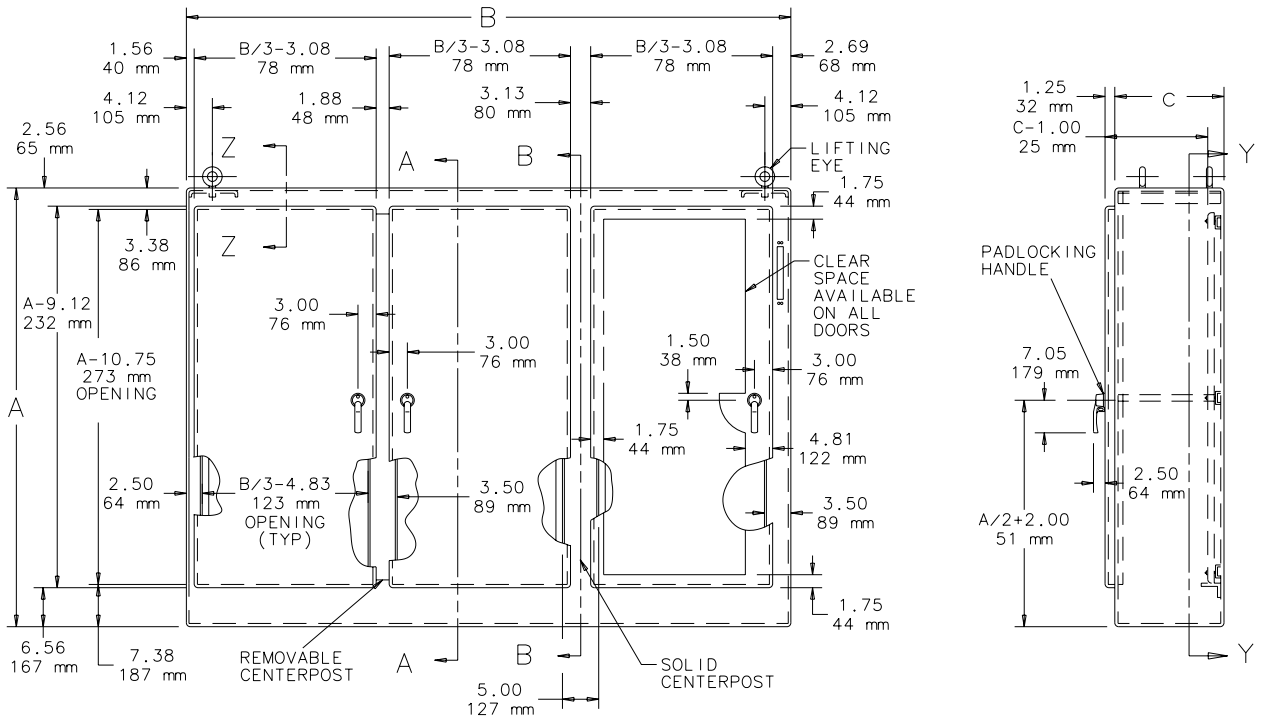
SECTION Y-Y

Note:

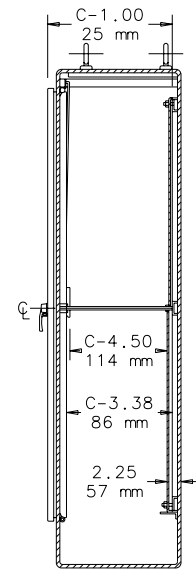
1. .121-in. steel panel is furnished with FTC enclosures. FTCLP models are less panel; panels can be purchased separately. See catalog number table for size.
2. Right door is master door. All doors hinged on left include a removable 12.00 x 12.00 in. (305 x 305 mm) data pocket.
3. Number of panel mounting studs varies with panel width.



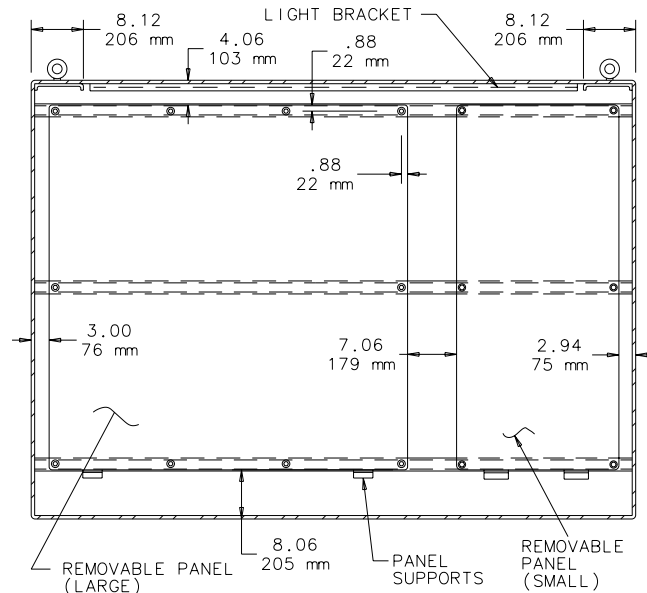
Three-Door Enclosure



SECTION A-A
Space behind removable centerpost



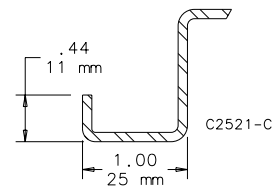
SECTION B-B
Space behind solid centerpost



SECTION Y-Y

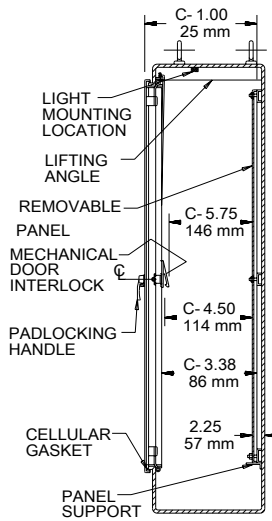
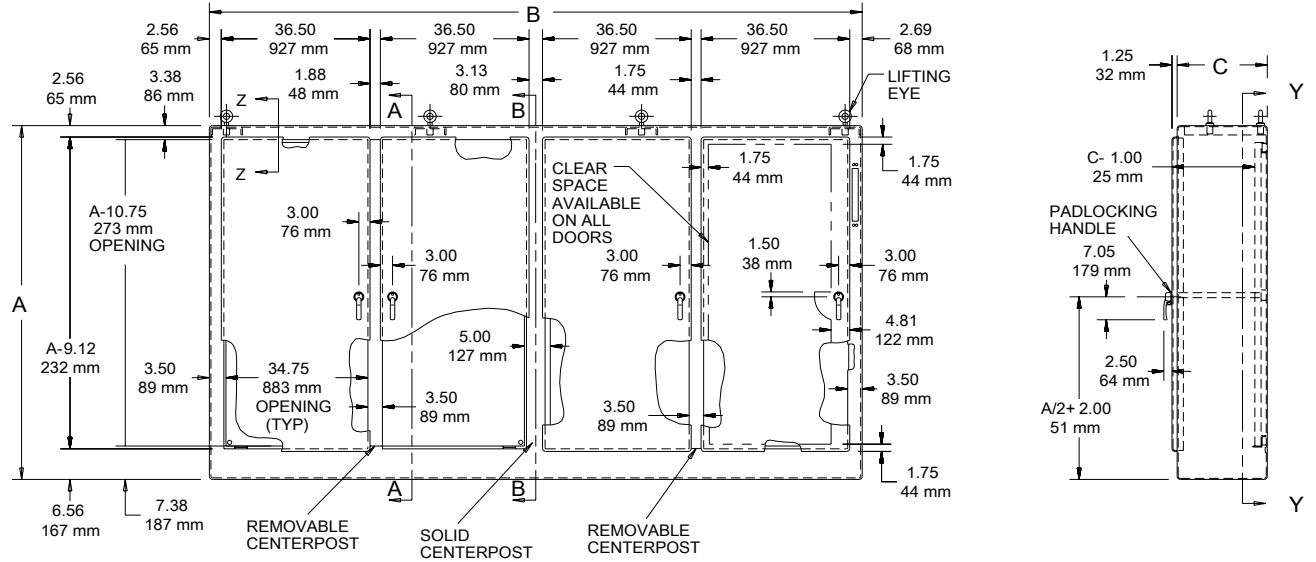
Note:

- .121-in. steel panel is furnished with FTC enclosures. FTCLP models are less panel; panels can be purchased separately. See catalog number table for size.
- Right door is master door. All doors hinged on left include a removable 12.00 x 12.00 in. (305 x 305 mm) data pocket.
- Number of panel mounting studs varies with panel width.

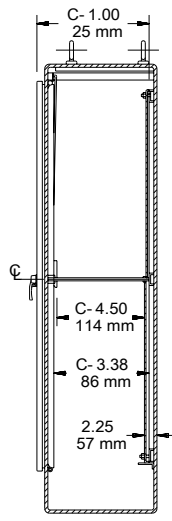


SECTION Z-Z

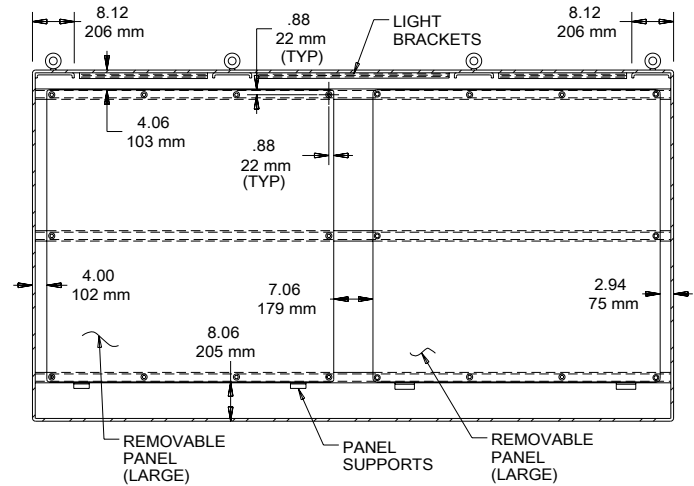
FOUR-DOOR ENCLOSURE



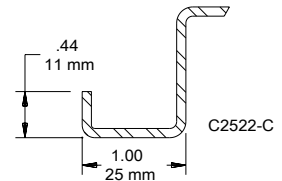
SECTION A-A
Space behind removable centerpost



SECTION B-B
Space behind solid centerpost



SECTION Y-Y



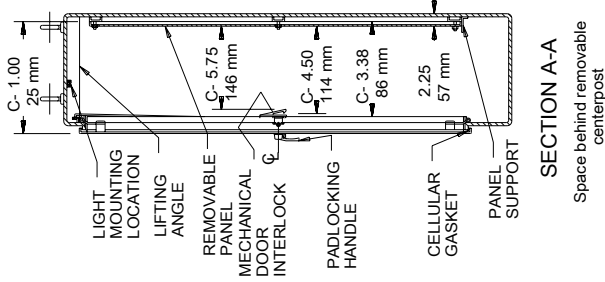
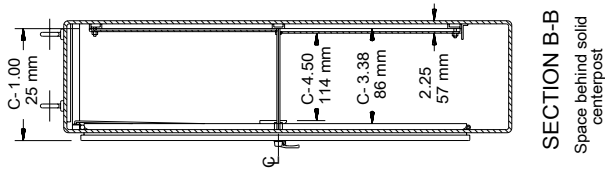
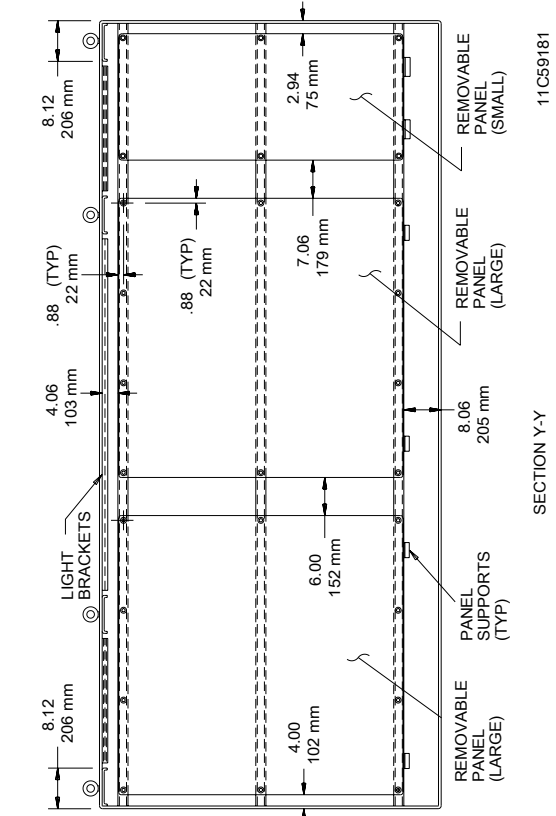
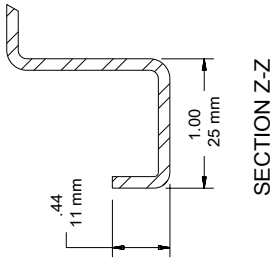
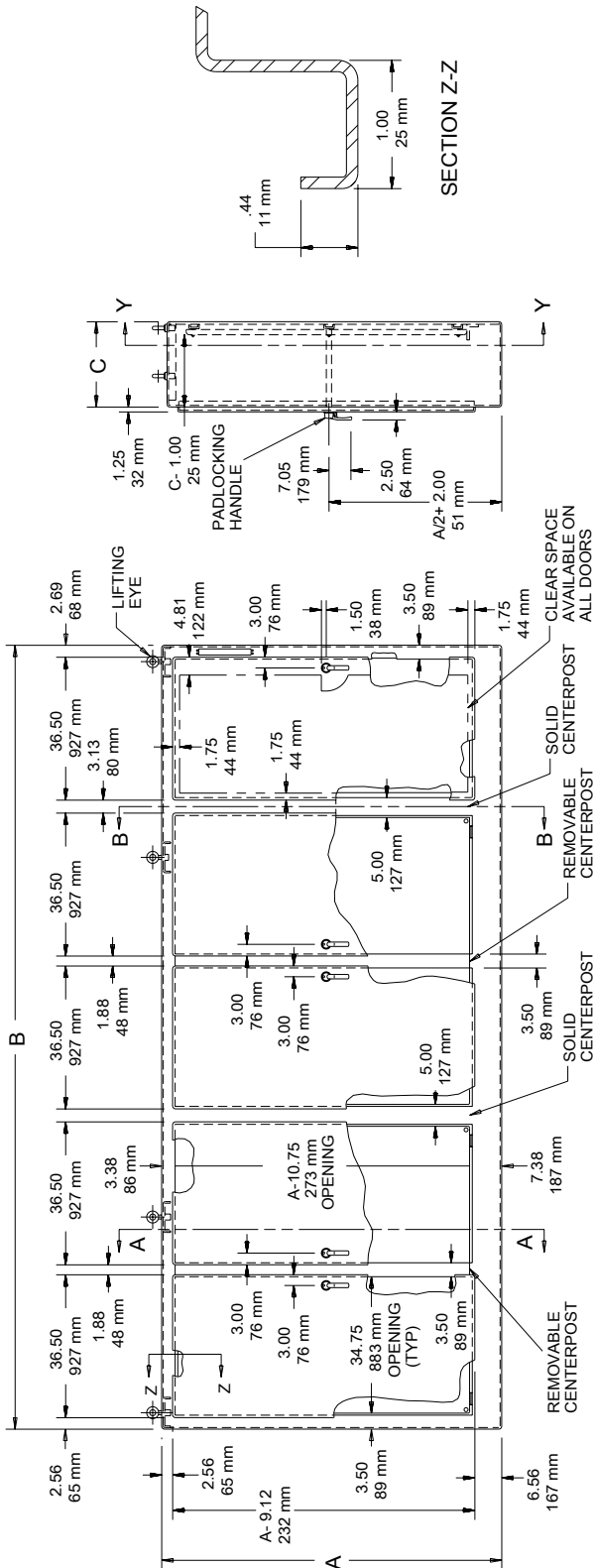
SECTION Z-Z

NOTE:

1. .121-in. steel panel is furnished with FTC enclosures. FTCLP models are less panel; panels can be purchased separately. See catalog number table for size.
2. Right door is master door. All doors hinged on left include a removable 12.00 x 12.00 in. (305 x 305mm) data pocket.



Five-Door Enclosure



- NOTE:**
1. 1/2-in. steel panel is furnished with FTC enclosures. FTCLP models are less panel; panels can be purchased separately. See catalog number table for size.
 2. Right door is master door. All doors hinged on left include a removable 12.00 x 12.00 in. (305 x 305mm) data pocket.
 3. Number of panel mounting studs varies with panel width.

FREE-STAND DISCONNECT WITH QUICK-RELEASE CONTINUOUS HINGE, TYPE 4



APPLICATION

Simple, heavy-duty with easy door removal and re-installation, this disconnect enclosure can be ordered with one to three doors to fit a range of applications.

SPECIFICATIONS

- Quick-release continuous hinge
- 11 gauge steel (.121 inch)
- Seams continuously welded and ground smooth
- Body stiffeners in larger enclosures for extra rigidity
- Body flange trough excludes liquids and contaminants
- Heavy-duty lifting eyes anchor into reinforced top
- Removable centerposts permit easy panel installation
- Heavy-duty 3-point latching mechanism operated by padlocking handle on all doors
- Panel supports
- Data pocket is high-impact thermoplastic
- Oil-resistant gasket
- Master door is far right-hand door on all enclosures
- Defeater on primary door requires a screwdriver to open
- Mechanical interlock activated by master door prevents slave doors from being opened first; doors can be closed in any order
- Universal cutout on right flange provides mounting for most disconnect operators by using operator adapters
- Includes door hardware
- Models do not include panels; painted or conductive panels sold separately

FINISH

ANSI 61 gray, polyester powder paint outside and inside.

ACCESSORIES

- Blank Adapter Plates, Mild Steel
- Blower Fan Package
- Floor Stand Kit
- Operator Adapters for Universal Cutouts

MODIFICATION AND CUSTOMIZATION

Hoffman excels at modifying and customizing products to your specifications. Contact your local Hoffman sales office or distributor for complete information.

BULLETIN: A4L3D

INDUSTRY STANDARDS

UL 508A Listed; Type 4, 12, 3R; File No. E61997
 cUL Listed per CSA C22.2 No. 94; Type 4, 12, 3R; File No. E61997

NEMA/EEMAC Type 4, 12, 3R
 IEC 60529, IP66



Standard Product **One-Door Enclosures**

Catalog Number	AxBxC in./mm	Interior Finish	Painted Panel	Conductive Panel	Panel Size in./mm
A72XM3418FTCLP4	72.12 x 33.50 x 18.12 1832 x 851 x 460	Gray	A72PM34	A72PM34G	60.00 x 27.75 1524 x 705
A72XM4018FTCLP4	72.12 x 40.25 x 18.12 1832 x 1022 x 460	Gray	A72PM40	A72PM40G	60.00 x 33.75 1524 x 857
A84XM4018FTCLP4	84.12 x 40.25 x 18.12 2137 x 1022 x 460	Gray	A84PM40	A84PM40G	72.00 x 33.75 1829 x 857
A90XM4018FTCLP4	90.12 x 40.25 x 18.12 2289 x 1022 x 460	Gray	A90PM40	A90PM40G	78.00 x 33.75 1981 x 857

Order painted or conductive panel separately.

Standard Product **Two-Door Enclosures**

Catalog Number	AxBxC in./mm	Interior Finish	Stiffener Locations in./mm	Painted Panel	Conductive Panel	Panel Size in./mm
A72XM5418FTCLP4	72.12 x 54.50 x 18.12 1832 x 1384 x 460	Gray	None None	A72PM54	A72PM54G	60.00 x 48.00 1524 x 1219
A72XM6618FTCLP4	72.12 x 66.50 x 18.12 1832 x 1689 x 460	Gray	21.00 533	A72PM66	A72PM66G	60.00 x 60.00 1524 x 1524
A72XM7818FTCLP4	72.12 x 78.50 x 18.12 1832 x 1994 x 460	Gray	24.00 610	A72PM78	A72PM78G	60.00 x 72.00 1524 x 1829
A84XM7818FTCLP4	84.12 x 78.50 x 18.12 2137 x 1994 x 460	Gray	24.00 610	A84PM78	A84PM78G	72.00 x 72.00 1829 x 857
A90XM7818FTCLP4	90.12 x 78.50 x 18.12 2289 x 1994 x 460	Gray	24.00 610	A90PM78	A90PM78G	78.00 x 72.00 1981 x 1829

Order painted or conductive panel separately.

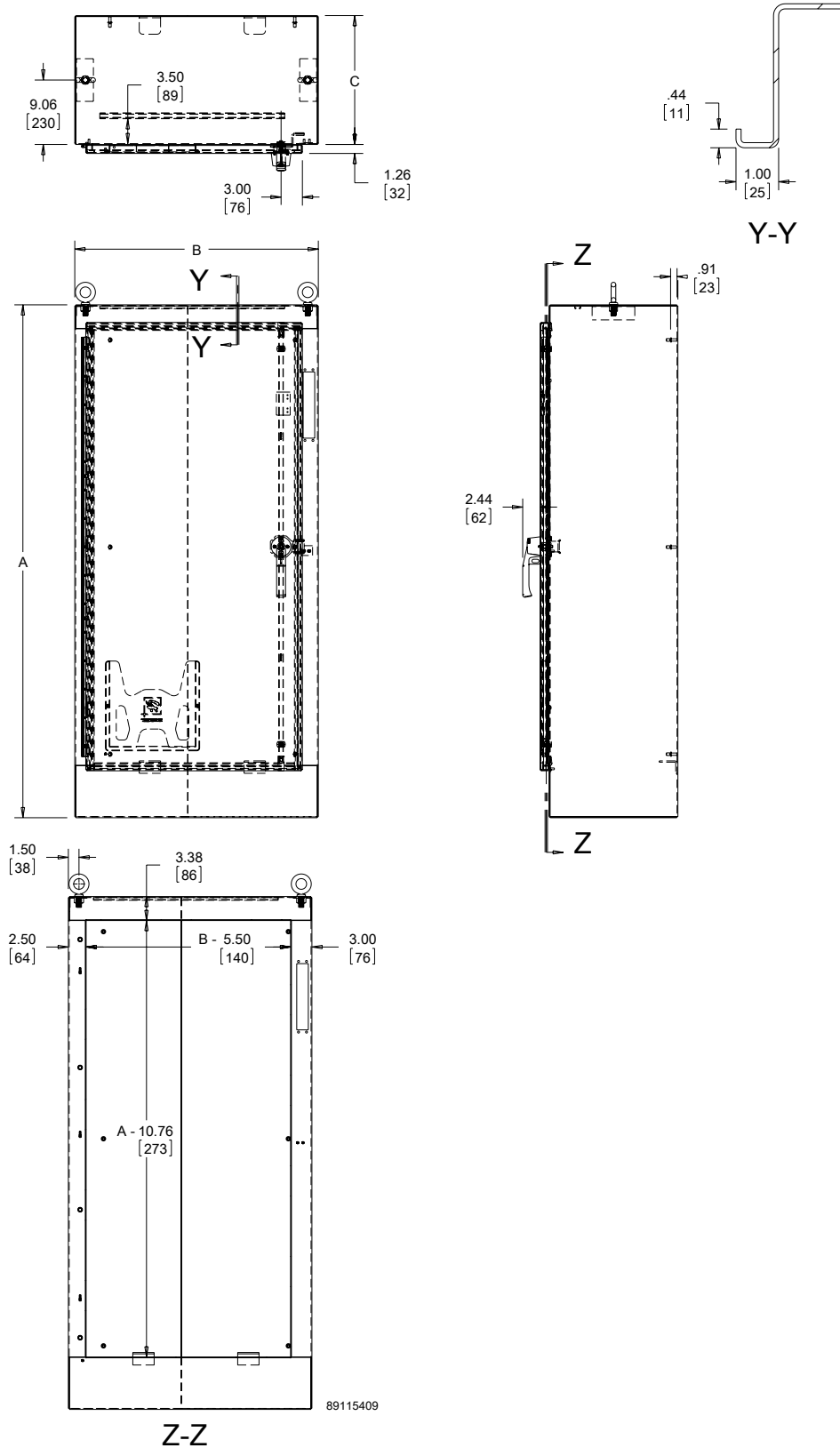
Standard Product **Three-Door Enclosures**

Catalog Number	AxBxC in./mm	Interior Finish	Large Painted Panel	Large Conductive Panel	No. of Large Panels	Large Panel Size in./mm	Small Painted Panel	Small Conductive Panel	No. of Small Panels	Small Panel Size in./mm
A84XM3EW18FTCLP4	84.12 x 118.75 x 18.12 2137 x 3016 x 460	Gray	A84PM78	A84PM78G	1	72.00 x 72.00 1829 x 1829	A84PM40	A84PM40G	1	72.0 x 33.75 1829 x 857

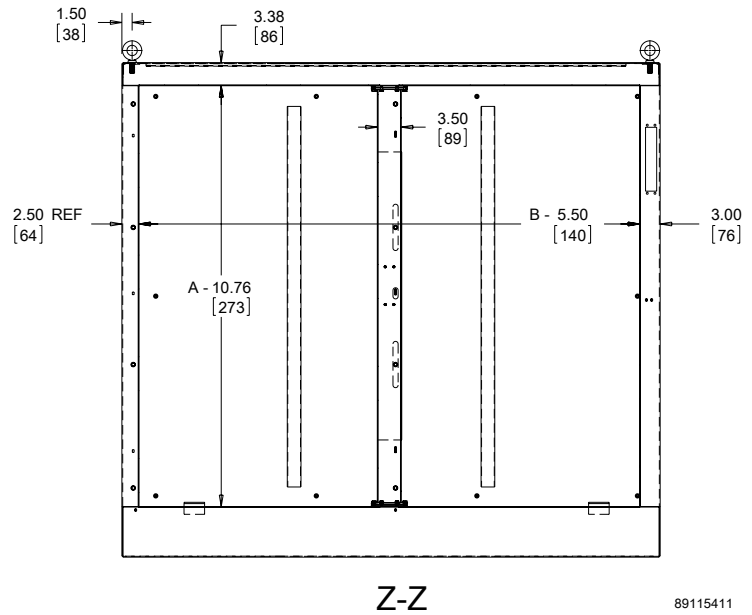
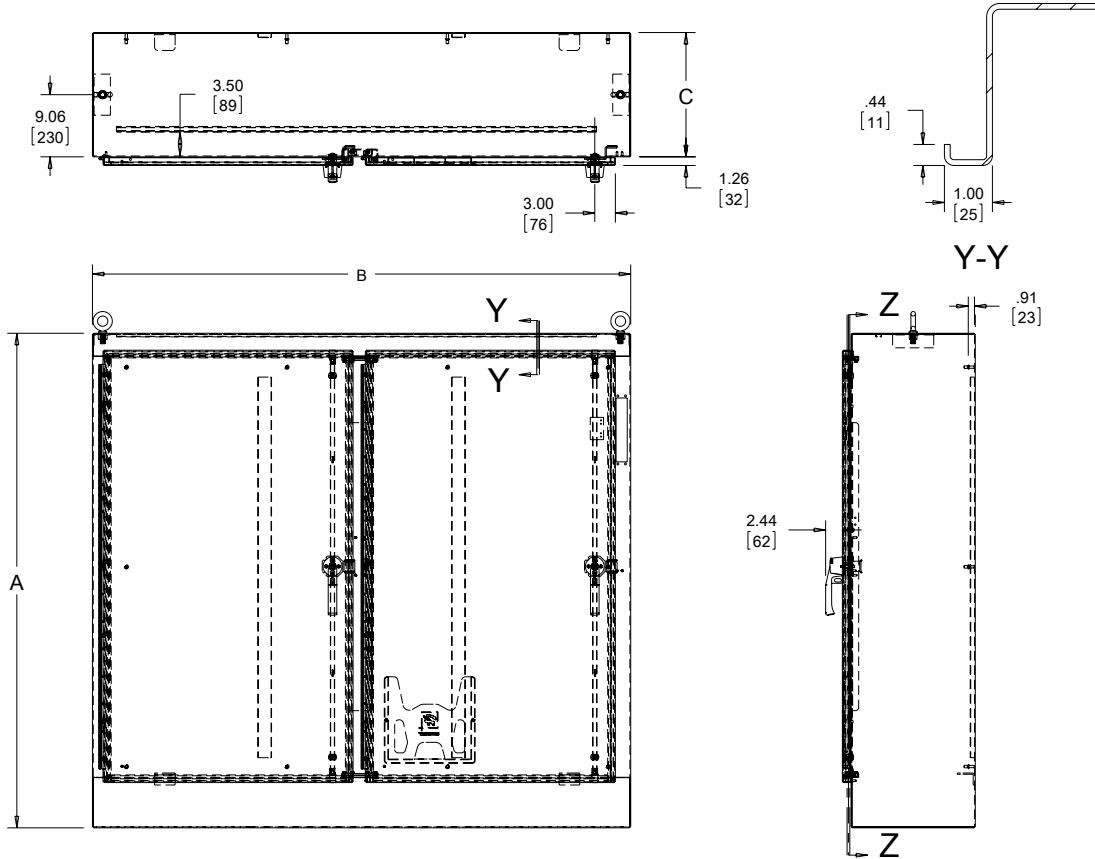
Order painted or conductive panel separately.



ONE-DOOR ENCLOSURE



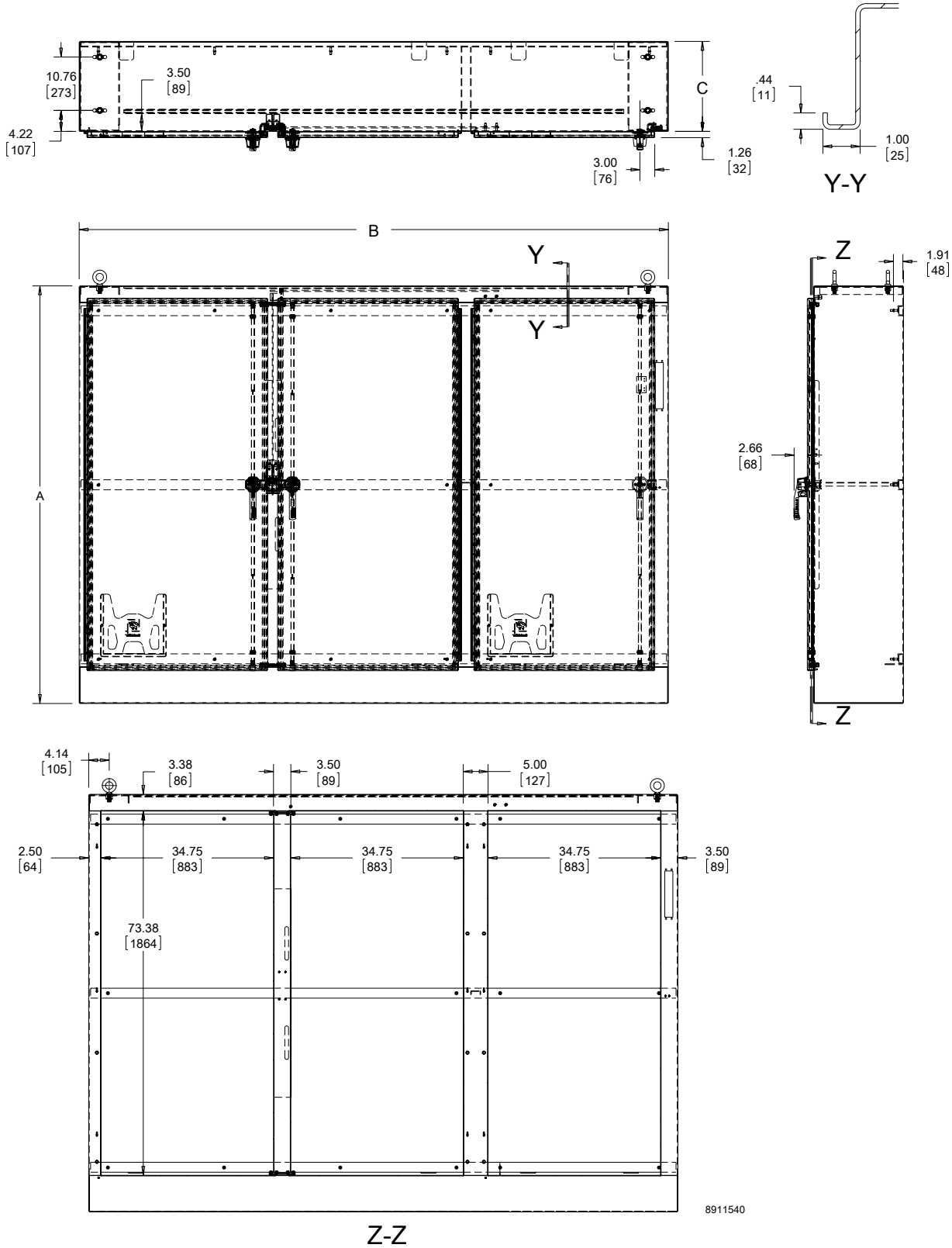
TWO-DOOR ENCLOSURE



89115411



THREE-DOOR ENCLOSURE



5

DISCONNECT MOUNTING SPACE

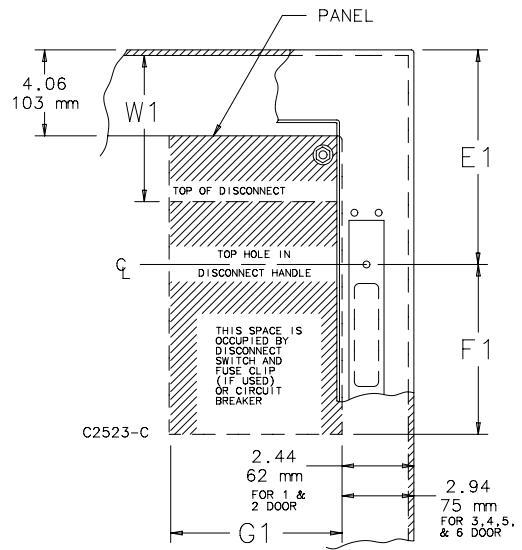
Disconnects are located by dimension E1. Wiring space W1 is available when disconnect is installed in the enclosure. See Technical Information chapter for E1 Spacing by Enclosure Height for various disconnect switch manufacturers.

W1 = Wiring Space

See Technical Information chapter for wire bend space.

Refer to **NATIONAL ELECTRICAL CODE, 2005** article 430-10(b) for wiring space required for line side conductors to be connected to disconnect. **Verify your application to determine whether wiring space is adequate.**

Consult Space Occupied by Disconnect drawing to determine whether the disconnect device you are using will fit the enclosure size you have selected.



Consult disconnect manufacturer for F1 and G1 dimensions.



MODULAR DISCONNECT ENCLOSURE, TYPE 12



INDUSTRY STANDARDS

UL 508A Listed; Type 12; File No. E61997
 cUL Listed per CSA C22.2 No. 94; Type 12; File No. E61997

NEMA Type 12
 CSA File No. 42186; Type 12
 IEC 60529, IP55

APPLICATION

Modular disconnect enclosures provide configuration flexibility and versatility. One- and two-door models can be bolted together in any configuration. Slave enclosures can be added or removed as required.

FEATURES

One-Door Disconnect Enclosure (left side open): Universal cutout on right flange provides mounting for most disconnect operators by using operator adapters. Right side is closed since disconnect operator cannot be obscured by a door. Master door is hinged on left. Defeater on master door requires a screwdriver to open. Master door activates mechanical interlock which prevents slave doors from being opened first. Doors may be closed in any order. Interlock is furnished.

Two-Door Disconnect Enclosure (left side open): Universal cutout on right flange provides mounting for most disconnect operators by using operator adapters. Right side is closed. Master door is right-hand door. Both doors hinged on left. Defeater on master door requires a screwdriver to open. Master door activates mechanical interlock which prevents slave doors from being opened first. Doors may be closed in any order. Removable centerpost permits easy panel installation. Interlock is furnished.

One-Door Slave Enclosure (both sides open): Door hinged on left. Interlock is furnished.

Two-Door Slave Enclosure (both sides open): Right-hand door hinged on right and left-hand door hinged on left. Removable centerpost permits easy panel installation. Interlock is furnished.

SPECIFICATIONS

- 11 gauge steel (.121 inch)
- Seams are continuously welded and ground smooth
- Body stiffeners in larger enclosures for extra rigidity
- Body flange trough excludes liquids and contaminants
- Heavy-duty lifting eyes anchor into reinforced top
- Concealed, easy-to-remove hinges
- Heavy-duty 3-point latching mechanism operated by padlocking handle on all doors
- Data pocket is high-impact thermoplastic
- Oil-resistant door gasket
- Panel supports
- Removable 11 gauge steel panels mount on collar studs
- Bonding provision on door
- Mechanical interlock standard on each enclosure; parts required to connect interlock system between adjacent enclosures are provided
- Interlock rods are furnished with enclosures; gasket kits and end plate purchased separately
- Models available with panel include painted panel; conductive panel sold separately

FINISH

ANSI 61 gray finish inside and outside over pretreated surfaces. Panels have white or conductive finish. Flat end plates are ANSI 61 gray inside and outside.

ACCESSORIES

See also Accessories.
 Blank Adapter Plates, Mild Steel
 End Plates
 PANELITE Enclosure Lights Overview
 Operator Adapters for Universal Cutouts
 Panels for Type 3R, 4, 4X, 12 and 13 Enclosures
 Center Panel Supports

MODIFICATION AND CUSTOMIZATION

Hoffman excels at modifying and customizing products to your specifications. Contact your local Hoffman sales office or distributor for complete information.

BULLETIN: A34

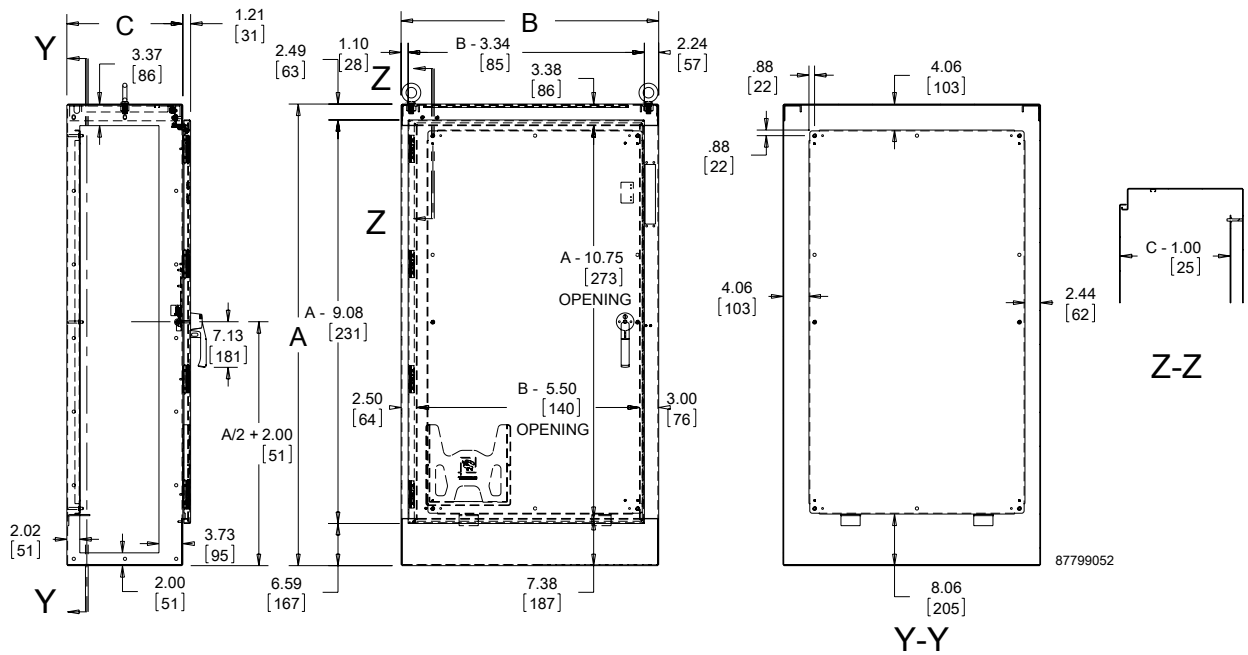
Standard Product **Master Modular Type 12 Enclosures for Flange-Mount Disconnects, One-Door (left side open)**

Catalog Number	AxBxC in./mm	With or Without Panel	Panel	Conductive Panel	Panel Size D x E in./mm
AMOD72X4018FTC	72.12 x 40.25 x 18.12 1832 x 1020 x 460	With	A72PM40	A72PM40G	60.00 x 33.75 1524 x 857
AMOD72X4018FTCLP	72.12 x 40.25 x 18.12 1832 x 1022 x 460	Without	—	—	—
AMOD84X4018FTC	84.12 x 40.25 x 18.12 2137 x 1020 x 460	With	A84PM40	A84PM40G	72.00 x 33.75 1829 x 857
AMOD84X4018FTCLP	84.12 x 40.25 x 18.12 2137 x 1022 x 460	Without	—	—	—
AMOD84X4024FTC	84.12 x 40.25 x 24.12 2137 x 1020 x 613	With	A84PM40	A84PM40G	72.00 x 33.75 1829 x 857
AMOD84X4024FTCLP	84.12 x 40.25 x 24.12 2137 x 1022 x 613	Without	—	—	—

All 24.12-in. (613-mm) and deeper enclosures using short connecting rods in the following models require a Hoffman platform assembly, catalog number ADSCPA, purchased separately. • ABB Controls flange-operated devices • Cutler-Hammer C361 devices • Cutler-Hammer C371 mechanisms which use C371E, F, G, K operating mechanism • General Electric Type TDA devices (see next paragraph for option) • Square D Class 9422 devices (see next paragraph for option)

The platform assembly can be omitted if long connecting rods are ordered in place of short connecting rods. • For Cutler-Hammer operating mechanisms C371E and C371F order catalog number C371CS1 connecting rod. For C371G and C371K order catalog number C371CS2. • For General Electric devices, order catalog number TDSR extended length drive rod • For Square D devices, order catalog number 9422-R2 extra long operating rod(s). Some devices require two rods. Consult factory for space occupied on panel when platform is used.

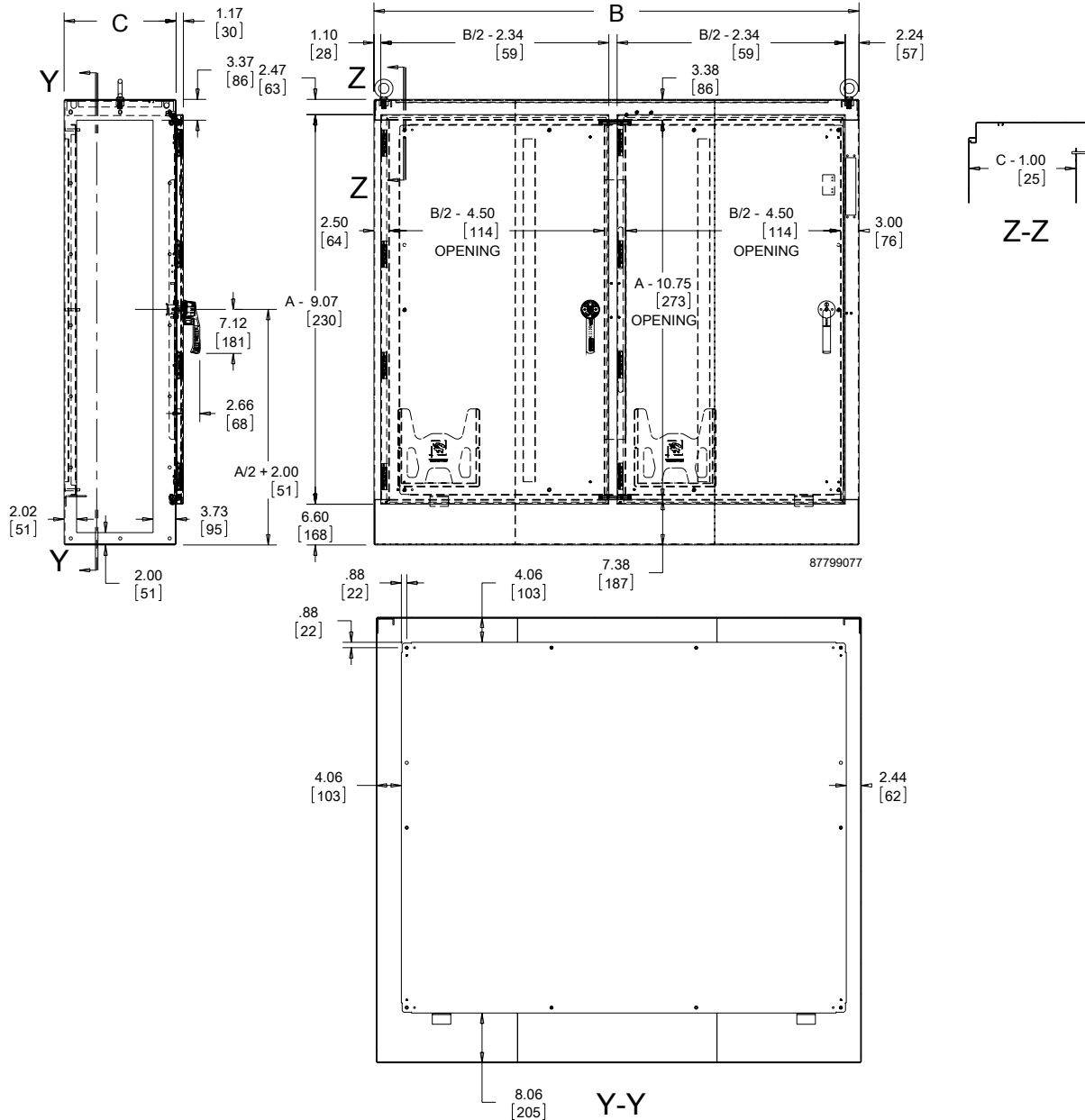
Enclosures with panel include a painted panel. Order conductive panels separately.



Standard Product **Master Modular Type 12 Enclosures for Flange-Mount Disconnects, Two-Door (left side open)**

Catalog Number	AxBxC in./mm	With or Without Panel	Panel	Conductive Panel	Panel Size D x E in./mm
AMOD72X7818FTC	72.12 x 78.50 x 18.12 1832 x 1994 x 460	With	A72PM78	A72PM78G	60.00 x 72.00 1524 x 1829
AMOD72X7818FTCLP	72.12 x 78.50 x 18.12 1832 x 1994 x 460	Without	—	—	—
AMOD84X7818FTC	84.12 x 78.50 x 18.12 2137 x 1994 x 460	With	A84PM78	A84PM78G	72.00 x 72.00 1829 x 1829
AMOD84X7818FTCLP	84.12 x 78.50 x 18.12 2137 x 1994 x 460	Without	—	—	—
AMOD84X7824FTC	84.12 x 78.50 x 24.12 2137 x 1994 x 613	With	A84PM78	A84PM78G	72.00 x 72.00 1829 x 1829
AMOD84X7824FTCLP	84.12 x 78.50 x 24.12 2137 x 1994 x 613	Without	—	—	—

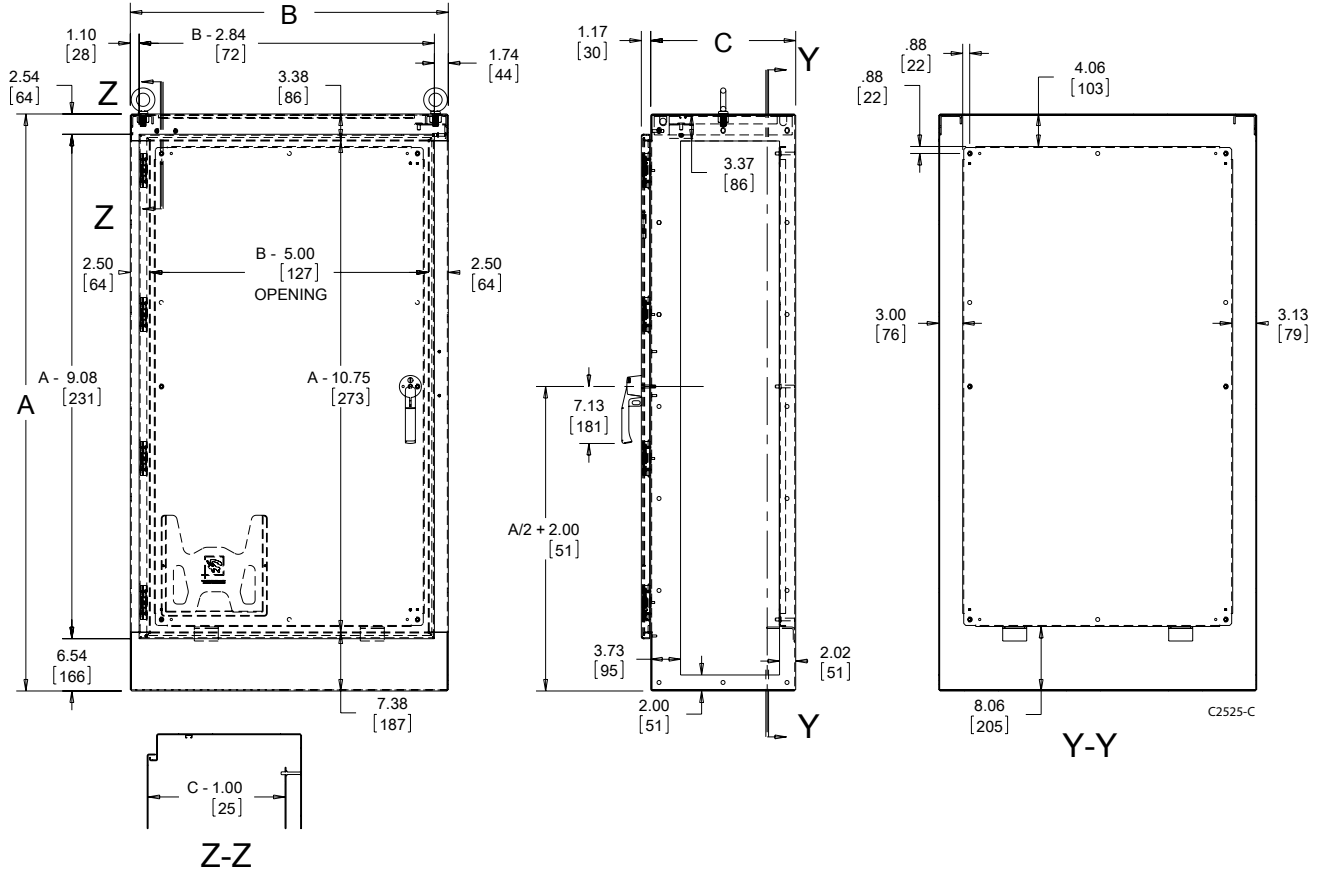
Enclosures with panel include a painted panel. Order conductive panels separately.



Standard Product **Slave Modular Type 12 Enclosures for Flange-Mount Disconnects, One-Door (both sides open)**

Catalog Number	AxBxC in./mm	With or Without Panel	Panel	Conductive Panel	Panel Size D x E in./mm
AMOD723918FTC	72.12 x 39.75 x 18.12 1832 x 1010 x 460	With	A72PM40	A72PM40G	60.00 x 33.75 1524 x 857
AMOD723918FTCLP	72.12 x 39.75 x 18.12 1832 x 1010 x 460	Without	—	—	—
AMOD843918FTC	84.12 x 39.75 x 18.12 2137 x 1010 x 460	With	A84PM40	A84PM40G	72.00 x 33.75 1829 x 857
AMOD843918FTCLP	84.12 x 39.75 x 18.12 2137 x 1010 x 460	Without	—	—	—
AMOD843924FTC	84.12 x 39.75 x 24.12 2137 x 1010 x 613	With	A84PM40	A84PM40G	72.00 x 33.75 1829 x 857
AMOD843924FTCLP	84.12 x 39.75 x 24.12 2137 x 1010 x 613	Without	—	—	—

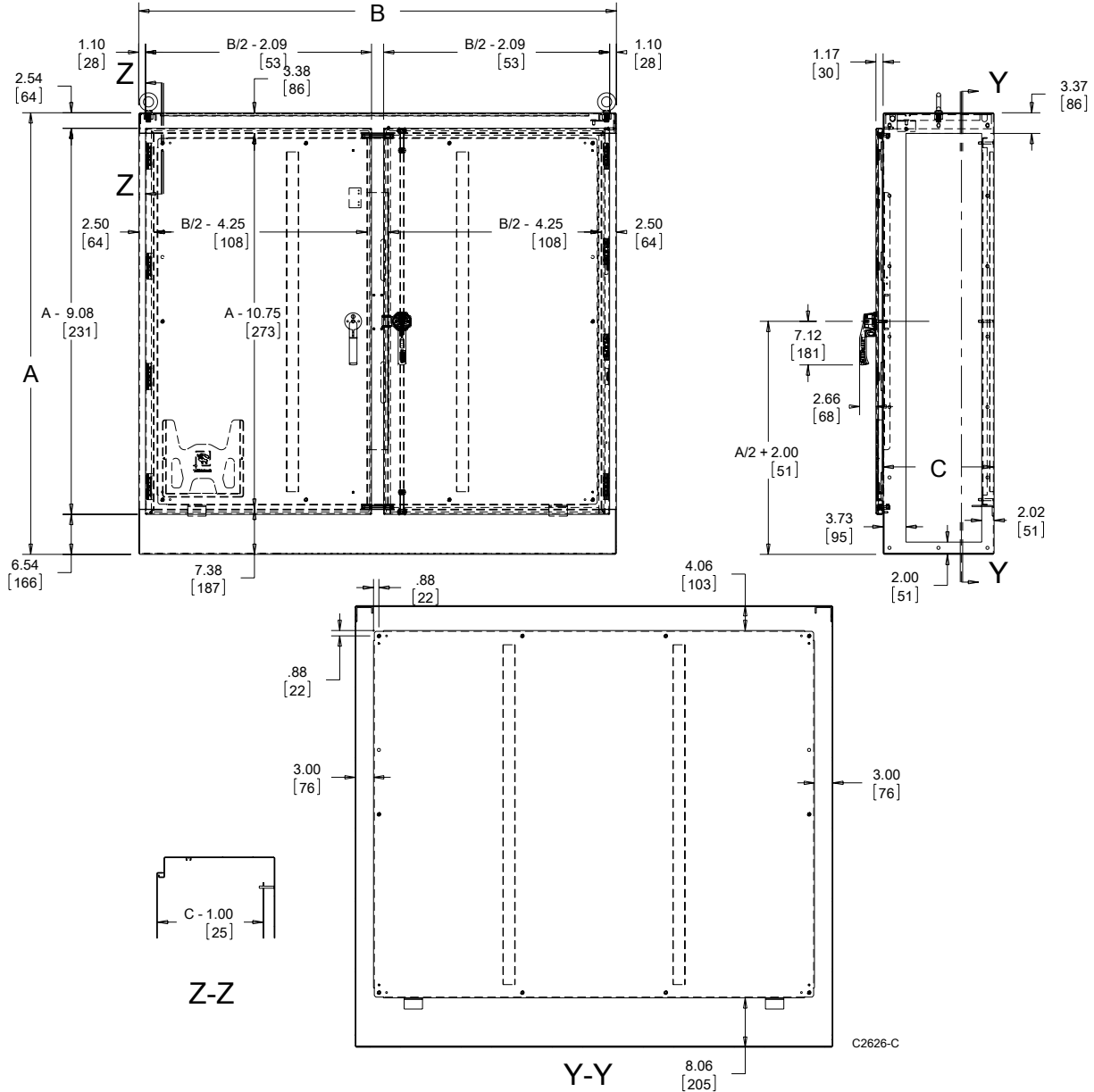
Enclosures with panel include a painted panel. Order conductive panels separately.



Standard Product **Slave Modular Type 12 Enclosures for Flange-Mount Disconnects, Two-Door (both sides open)**

Catalog Number	AxBxC in./mm	With or Without Panel	Panel	Conductive Panel	Panel Size D x E in./mm
AMOD727718FTC	72.12 x 78.00 x 18.12 1832 x 1981 x 460	With	A72PM78	A72PM78G	60.00 x 72.00 1524 x 1829
AMOD727718FTCLP	72.12 x 78.00 x 18.12 1832 x 1981 x 460	Without	—	—	—
AMOD847718FTC	84.12 x 78.00 x 18.12 2137 x 1981 x 460	With	A84PM78	A84PM78G	72.00 x 72.00 1829 x 1829
AMOD847718FTCLP	84.12 x 78.00 x 18.12 2137 x 1981 x 460	Without	—	—	—
AMOD847724FTC	84.12 x 78.00 x 24.12 2137 x 1981 x 613	With	A84PM78	A84PM78G	72.00 x 72.00 1829 x 1829
AMOD847724FTCLP	84.12 x 78.00 x 24.12 2137 x 1981 x 613	Without	—	—	—

Enclosures with panel include a painted panel. Order conductive panels separately.



DISCONNECT MOUNTING SPACE

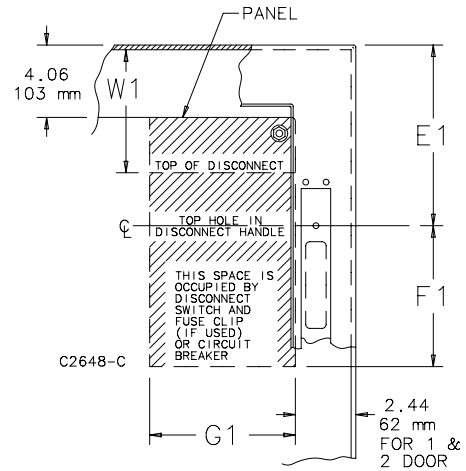
Disconnects are located by dimension E1. Wiring space W1 is available when disconnect is installed in the enclosure. See Technical Information section for E1 Spacing by Enclosure Height for various disconnect switch manufacturers.

W1 = Wiring Space.

See Technical Information section for wire bend space.

Refer to **NATIONAL ELECTRICAL CODE®, 2005** article 430-10(b) for wiring space required for line side conductors to be connected to disconnect. **Verify your application to determine whether wiring space is adequate.**

Consult Space Occupied by Disconnect drawing to determine whether the disconnect device you are using will fit the enclosure size you have selected.



Consult disconnect manufacturer for F1 and G1 dimensions.

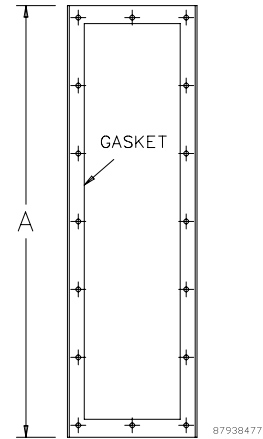
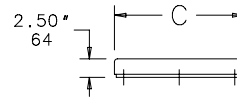


END PLATES

Used to seal open end(s) of an assembly of modular enclosures. The 2.50-in. deep End Plates allow extra wiring space. Gasket and mounting bolts are included.

BULLETIN: A34Y

Catalog Number	AxC in./mm
AMOD72EPT	72.12 x 18.12 1832 x 460
AMOD84EPT	84.12 x 18.12 2137 x 460
AMOD8424EPT	84.12 x 24.12 2137 x 613



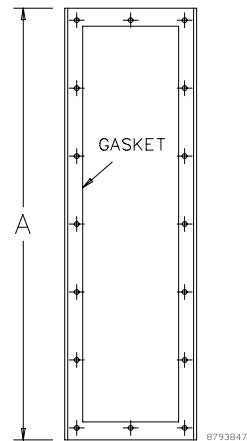
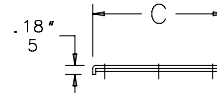
End Plate

FLAT END PLATES

Used to seal open end(s) of an assembly of modular enclosures. The Flat End Plate provides a low profile cover for the open end of a modular enclosure. Studs welded to the end plate eliminate bolt holes. Gasket and mounting hardware are furnished.

BULLETIN: A34Y

Catalog Number	AxC in./mm
AMOD7218FEP	72.12 x 18.12 1832 x 460
AMOD8418FEP	84.12 x 18.12 2137 x 460
AMOD8424FEP	84.12 x 24.12 2137 x 613



Flat End Plate

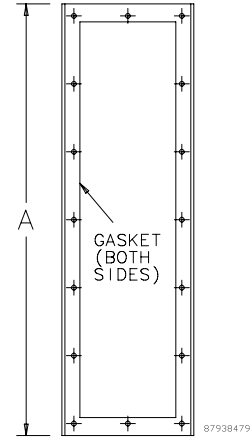
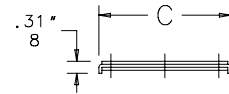


BARRIERS

Used to provide a barrier between individual enclosures in an assembly of modular enclosures. The flat plate is gasketed on both sides and inserted between two modular enclosures. Bolts and instructions are included.

BULLETIN: A34Y

Catalog Number	AxC in./mm
AMOD7218BAP	72.12 x 18.12 1832 x 460
AMOD8418BAP	84.12 x 18.12 2137 x 460
AMOD8424BAP	84.12 x 24.12 2137 x 613



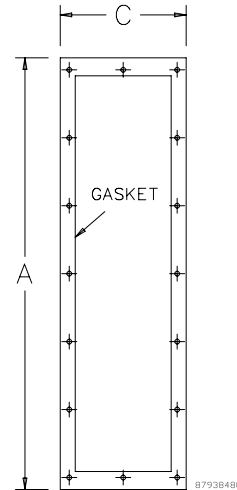
Barrier

GASKET KIT

Used to maintain enclosure rating when modular enclosures are joined together; includes a one-piece gasket, bolts and instructions.

BULLETIN: A34Y

Catalog Number	AxC in./mm
AMOD7218FGK	72.12 x 18.12 1832 x 460
AMOD8418FGK	84.12 x 18.12 2137 x 460
AMOD8424FGK	84.12 x 24.12 2137 x 613



Gasket Kit



MILD STEEL SEQUESTR PREFERRED-CUTOUT OVERVIEW



APPLICATION

The SEQUESTR enclosures have the standard preferred cutout on the left-hand flange. They accept left-hand 1494V Allen-Bradley variable-depth devices, up to 200A, and left-hand Class 9422 Schneider Square D variable-depth devices, up to 200A.

SEQUESTR cutouts are designed to house the following:
Allen-Bradley Bulletin 1494V DSX left-hand disconnect switches with flange-mount variable depth operating mechanisms and Bulletin 1494V flange-mount variable-depth operating mechanisms for circuit breakers.

These enclosures will NOT accept Allen-Bradley Bulletin 1494F disconnect devices or Bulletin 1494D circuit breaker operators.

Schneider Square D® Class 9422 disconnect switches with flange-mount left-hand variable-depth operating mechanisms and Class 9422 flange-mount left-hand variable-depth operating mechanisms for circuit breakers.

These enclosures will NOT accept Square D Class 9422 bracket-mounted disconnect devices, Class 9422TGI or TG2 devices.

ORDERING

Disconnect switch (or circuit breakers), operating handle and operating mechanism are not furnished with enclosure. Consult the Hoffman Specifier's Guide Technical Information chapter for wire bend information. Consult drawings to match the disconnect device you are using with the correct enclosure size.

A complete assembly consists of:

1. An enclosure
2. Door interlock brackets
3. Door latching system (2-point on SEQUESTR Enclosure, 3-point on main control cabinet doors)
4. Instructions to locate and install disconnect
5. Grounding hardware kit
6. Conductive panel in SEQUESTR External Disconnect Enclosure

MILD STEEL SEQUESTR EXTERNAL DISCONNECT, TYPE 12



APPLICATION

Retrofit disconnect enclosures to isolate incoming power and help mitigate arc flash occurrences by moving the disconnect switch to the SEQUESTR Enclosure. Power is passed-through to the main enclosure. Designed to fit the A28 free-stand enclosures, the SEQUESTR is sized for use with up to 200A disconnect switches.

SPECIFICATIONS

- 16 gauge steel
- Seams continuously welded and ground smooth
- Hinged on right side
- 16 gauge steel
- Seams continuously welded and ground smooth
- Hinged on right side
- Interlocks with doors of main control enclosure when the disconnect switch is powered ON
- Maintains UL Type 12 rating
- Provision for pass-through power into the main enclosure—blank plate for customer modification
- Preferred disconnect cutout
- Quarter-turn slotted latches
- Removable door with hidden hinges
- Bonding provision on door
- Conductive back panel included
- Installation hardware and templates included

INDUSTRY STANDARDS

UL 508A Listed; Type 12; File No. E61997
 cUL Listed per CSA C22.2 No. 94; Type 12; File No. E61997

NEMA/EEMAC Type 12
 CSA File No. 42186: Type 12
 IEC 60529, IP55

FINISH

- ANSI 61 gray polyester powder paint inside and out
- Included panel has conductive finish

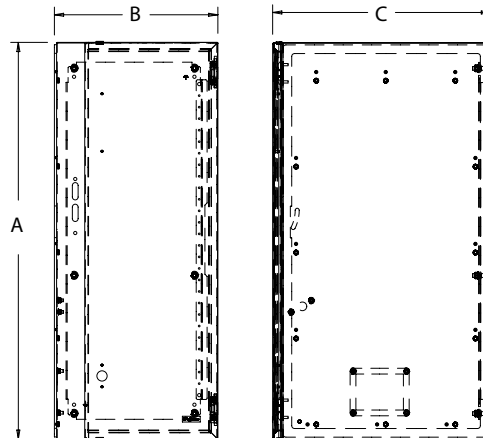
ACCESSORIES

Industrial Corrosion Inhibitors
 Touch-Up Paint

BULLETIN: A70D

Standard Product External Disconnect Enclosure including back panel

Catalog Number	A (in.)	A (mm)	B (in.)	B (mm)	C (in.)	C (mm)
AXD18	34.45	875	14.00	356	18.12	460
AXD20	34.45	875	14.00	356	20.12	511
AXD24	34.45	875	14.00	356	24.12	613



87923295

Optional Terminal Plates

Catalog Number	For
ATBP3060	30 and 60 amp switches
ATPB100	100 amp switches
ATPB200	200 amp switches

Optional Replacement Conductive Panel

Catalog Number	Panel Size (in.)	Panel Size (mm)	Description
A31P12G	31.00 x 12.16	787 x 309	16 gauge



MILD STEEL SEQUESTR EXTERNAL DISCONNECT PACKAGE, TYPE 12



SPECIFICATIONS

- A28 base enclosure, .121-in. steel (11 gauge)
- A70D SEQUESTR external disconnect enclosure, .060-in. steel
- Seams continuously welded and ground smooth
- External formed body flange channels away liquids
- Heavy duty lifting eyes anchored into reinforced top
- Removable centerposts for easy back panel installation
- No disconnect cutout on main control cabinet
- Interlocks doors of main control enclosure when disconnect switch is powered ON
- Mechanical interlock on main control enclosure activated by master door prevents slave door from being opened first
- Provision for pass-through power into the main enclosure
- Preferred disconnect cutout
- Quarter-turn, slotted latches on SEQUESTR Enclosure
- Rugged POWERGLIDE Handle with three-point latch on main control enclosure
- Concealed, easy-to-remove hinges
- Grounding studs on body
- Bonding provision on door
- Conductive back panel included in SEQUESTR External Disconnect Enclosure
- Optional back panel for main control cabinet for maximum ordering flexibility
- SEQUESTR External Disconnect Enclosure is shipped unattached for easy disconnect installation
- Oil-resistant gasket

INDUSTRY STANDARDS

UL 508A Listed; Type 12; File No. E61997
cUL Listed per CSA C22.2 No. 94; Type 12; File No. E61997

NEMA/EEMAC Type 12
CSA File No. 42186: Type 12
IEC 60529, IP55

APPLICATION

The SEQUESTR External Disconnect Enclosure Package helps mitigate arc flash occurrences when working on interior components by isolating incoming power from the main enclosure. Shipped as one unit for new installations, the disconnect switch and fuse block/circuit breaker are mounted in the external enclosure, with terminal connections to bring power to the main enclosure. A package includes a main enclosure and a SEQUESTR box. SEQUESTR boxes can be ordered separately to retrofit existing A28 free-stand enclosures.

FINISH

- SEQUESTR External Disconnect Enclosure ANSI 61 gray polyester powder paint inside and out
- Two finishes are available for A28 main control cabinet: ANSI 61 gray polyester powder paint outside and inside, or ANSI 61 gray polyester powder paint outside and white inside
- SEQUESTR External Disconnect Enclosure panel has conductive finish

ACCESSORIES

See also Accessories.
Industrial Corrosion Inhibitors
Floor Stand Kit
PANELITE Enclosure Lights Overview

BULLETIN: A28X1, A28X2 , A28XM

Standard Product One-Door Enclosure

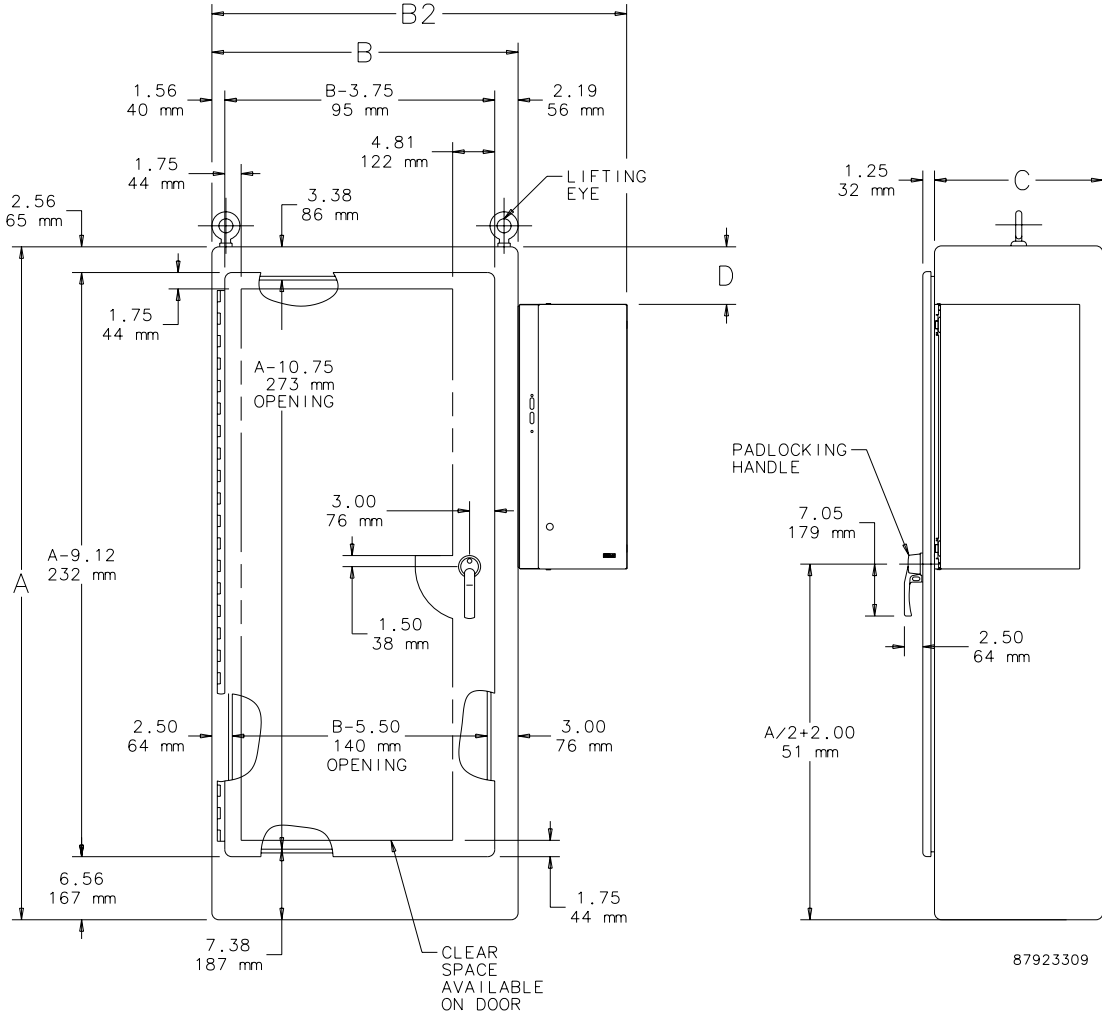
Catalog Number	AxBxC in./mm	Interior Finish	B2 in./mm	D in./mm	Panel	Panel Size in./mm
A72XD2818FTCLPG	72.12 x 28.25 x 18.12 1832 x 718 x 460	Gray	42.25 1073	0 0	A72PM28	60.00 x 21.75 1524 x 552
A72XD2818FTCLP	72.12 x 28.25 x 18.12 1832 x 718 x 460	White	42.25 1073	0 0	A72PM28	60.00 x 21.75 1524 x 552
A72XD3418FTCLPG	72.12 x 34.25 x 18.12 1832 x 870 x 460	Gray	48.25 1226	0 0	A72PM34	60.00 x 27.75 1524 x 705
A72XD3418FTCLP	72.12 x 34.25 x 18.12 1832 x 870 x 460	White	48.25 1226	0 0	A72PM34	60.00 x 27.75 1524 x 705
A72XD4018FTCLPG	72.12 x 40.25 x 18.12 1832 x 1022 x 460	Gray	54.25 1378	0 0	A72PM40	60.00 x 33.75 1524 x 857
A72XD4018FTCLP	72.12 x 40.25 x 18.12 1832 x 1022 x 460	White	54.25 1378	0 0	A72PM40	60.00 x 33.75 1524 x 857
A84XD4018FTCLPG	84.12 x 40.25 x 18.12 2137 x 1022 x 460	Gray	54.25 1378	6.00 152	A84PM40	72.00 x 33.75 1829 x 857
A84XD4018FTCLP	84.12 x 40.25 x 18.12 2137 x 1022 x 460	White	54.25 1378	6.00 152	A84PM40	72.00 x 33.75 1829 x 857
A90XD4018FTCLPG	90.12 x 40.25 x 18.12 2289 x 1022 x 460	Gray	54.25 1378	9.00 229	A90PM40	72.00 x 33.75 1981 x 857
A90XD4018FTCLP	90.12 x 40.25 x 18.12 2289 x 1022 x 460	White	54.25 1378	9.00 229	A90PM40	78.00 x 33.75 1981 x 857
A90XD4020FTCLPG	90.12 x 40.25 x 20.12 2289 x 1022 x 511	Gray	54.25 1378	9.00 229	A90PM40	72.00 x 33.75 1981 x 857

Catalog Number	AxBxC in./mm	Interior Finish	B2 in./mm	D in./mm	Panel	Panel Size in./mm
A90XD4020FTCLP	90.12 x 40.25 x 20.12 2289 x 1022 x 511	White	54.25 1378	9.00 229	A90PM40	78.00 x 33.75 1981 x 857
A84XD4024FTCLPG	84.12 x 40.25 x 24.12 2137 x 1022 x 613	Gray	54.25 1378	6.00 152	A84PM40	72.00 x 33.75 1981 x 857
A84XD4024FTCLP	84.12 x 40.25 x 24.12 2137 x 1022 x 613	White	54.25 1378	6.00 152	A84PM40	72.00 x 33.75 1829 x 857
A90XD4024FTCLPG	90.12 x 40.25 x 24.12 2289 x 1022 x 613	Gray	54.25 1378	9.00 229	A90PM40	72.00 x 33.75 1981 x 857
A90XD4024FTCLP	90.12 x 40.25 x 24.12 2289 x 1022 x 613	White	54.25 1378	9.00 229	A90PM40	78.00 x 33.75 1981 x 857

B dimension is large enclosure without External Disconnect Enclosure.

B2 dimension is overall size including External Disconnect Enclosure.

Purchase panels separately.



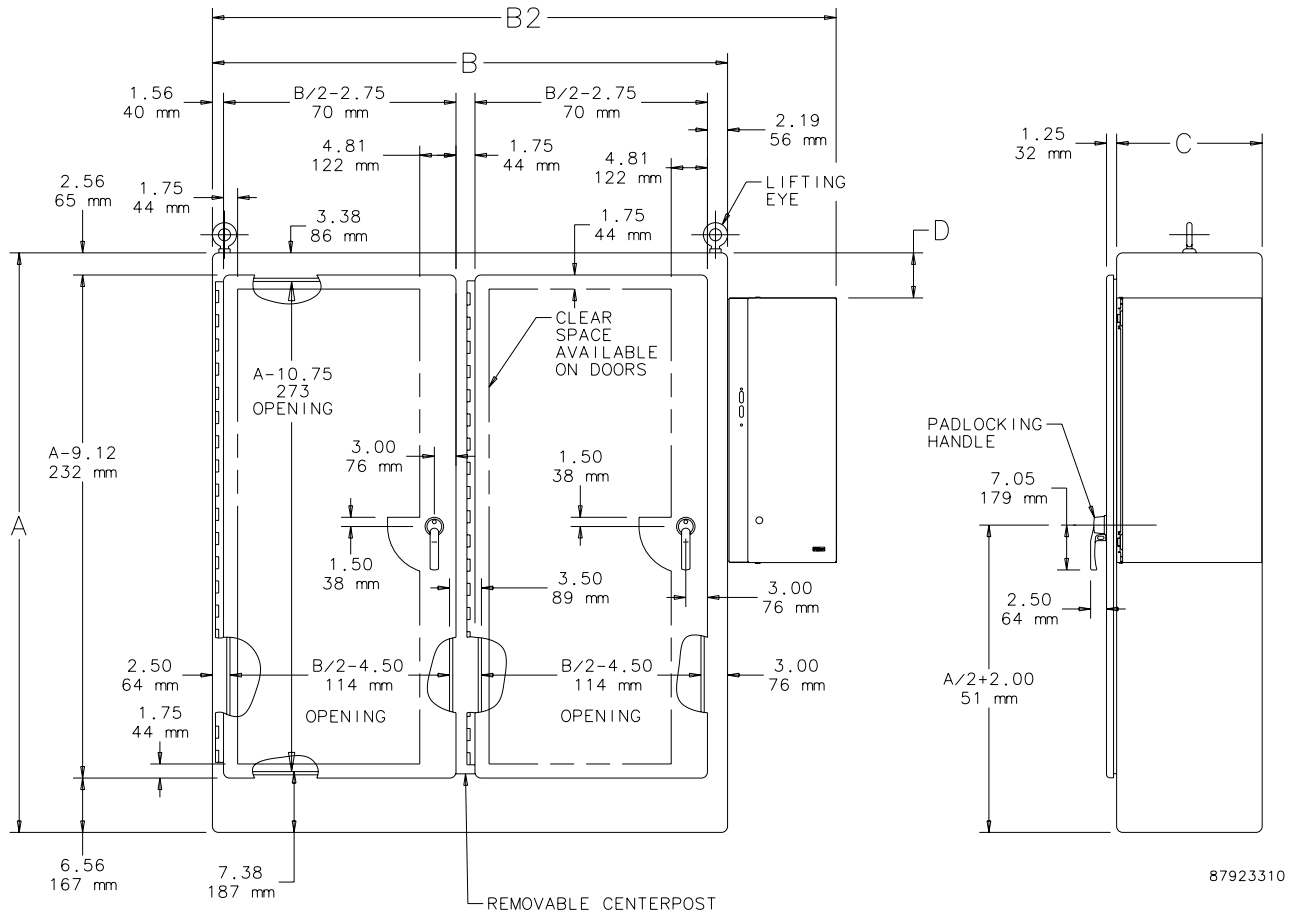
Standard Product **Two-Door Enclosures**

Catalog Number	AxBxC in./mm	Interior Finish	B2 in./mm	D in./mm	Stiffener Locations in./mm	Panel	Panel Size in./mm
A72XD5418FTCLPG	72.12 x 54.50 x 18.12 1832 x 1384 x 460	Gray	68.50 1740	0 0	None None	A72PM54	60.00 x 48.00 1524 x 1219
A72XD5418FTCLP	72.12 x 54.50 x 18.12 1832 x 1384 x 460	White	68.50 1740	0 0	None None	A72PM54	60.00 x 48.00 1524 x 1219
A72XD6618FTCLPG	72.12 x 66.50 x 18.12 1832 x 1689 x 460	Gray	80.50 2045	0 0	21.00 533	A72PM66	60.00 x 60.00 1524 x 1524
A72XD6618FTCLP	72.12 x 66.50 x 18.12 1832 x 1689 x 460	White	80.50 2045	0 0	21.00 533	A72PM66	60.00 x 60.00 1524 x 1524
A72XD7818FTCLPG	72.12 x 78.50 x 18.12 1832 x 1994 x 460	Gray	92.50 2350	0 0	24.00 610	A72PM78	60.00 x 72.00 1524 x 1829
A72XD7818FTCLP	72.12 x 78.50 x 18.12 1832 x 1994 x 460	White	92.50 2350	0 0	24.00 610	A72PM78	60.00 x 72.00 1524 x 1829
A84XD7818FTCLPG	84.12 x 78.50 x 18.12 2137 x 1994 x 460	Gray	92.50 2350	6.00 152	24.00 910	A84PM78	72.00 x 72.00 1829 x 1829
A84XD7818FTCLP	84.12 x 78.50 x 18.12 2137 x 1994 x 460	White	92.50 2350	6.00 152	24.00 910	A84PM78	72.00 x 72.00 1829 x 1829
A90XD7818FTCLPG	90.12 x 78.50 x 18.12 2289 x 1994 x 460	Gray	92.50 2350	9.00 229	24.00 610	A90PM78	78.00 x 72.00 1981 x 1829
A90XD7818FTCLP	90.12 x 78.50 x 18.12 2289 x 1994 x 460	White	92.50 2350	9.00 229	24.00 610	A90PM78	78.00 x 72.00 1981 x 1829
A90XD7820FTCLPG	90.12 x 78.50 x 20.12 2289 x 1994 x 511	Gray	92.50 2350	9.00 229	24.00 610	A90PM78	78.00 x 72.00 1981 x 1829
A90XD7820FTCLP	90.12 x 78.50 x 20.12 2289 x 1994 x 511	White	92.50 2350	9.00 229	24.00 610	A90PM78	78.00 x 72.00 1981 x 1829
A72XD7824FTCLPG	72.12 x 78.50 x 24.12 1832 x 1994 x 613	Gray	92.50 2350	0 0	24.00 610	A72PM78	60.00 x 72.00 1524 x 1829
A72XD7824FTCLP	72.12 x 78.50 x 24.12 1832 x 1994 x 613	White	92.50 2350	0 0	24.00 610	A72PM78	60.00 x 72.00 1524 x 1829
A84XD7824FTCLPG	84.12 x 78.50 x 24.12 2137 x 1994 x 613	Gray	92.50 2350	6.00 152	24.00 610	A84PM78	72.00 x 72.00 1829 x 1829
A84XD7824FTCLP	84.12 x 78.50 x 24.12 2137 x 1994 x 613	White	92.50 2350	6.00 152	24.00 610	A84PM78	72.00 x 72.00 1829 x 1829
A90XD7824FTCLPG	90.12 x 78.50 x 24.12 2289 x 1994 x 613	Gray	92.50 2350	9.00 229	24.00 610	A90PM78	78.00 x 72.00 1981 x 1829
A90XD7824FTCLP	90.12 x 78.50 x 24.12 2289 x 1994 x 613	White	92.50 2350	9.00 229	24.00 610	A90PM78	78.00 x 72.00 1981 x 1829

B dimension is large enclosure without External Disconnect Enclosure.

B2 dimension is overall size including External Disconnect Enclosure.

Purchase panels separately.



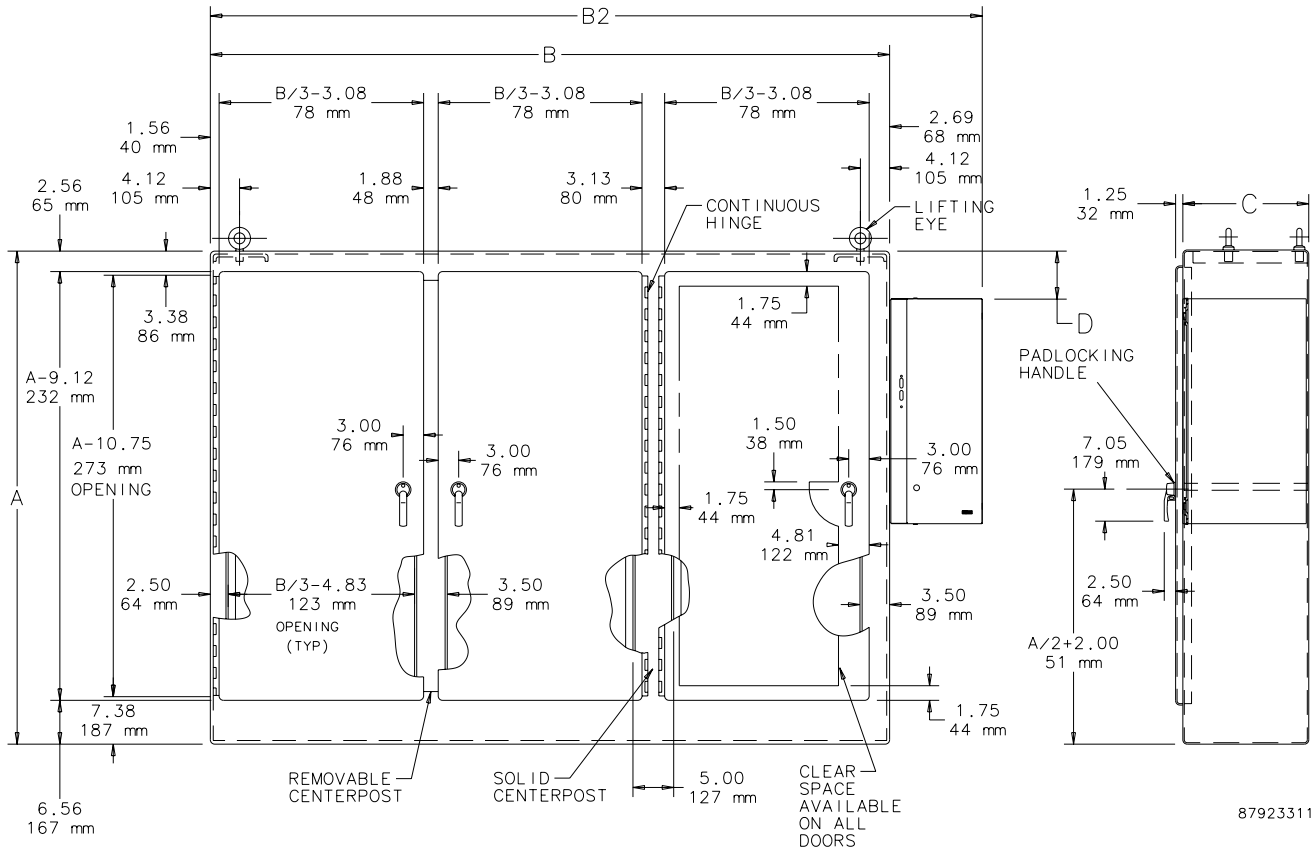
Standard Product **Three-Door Enclosures**

Catalog Number	AxBxC in./mm	Interior Finish	B2 in./mm	D in./mm	Large Panel	Number of Large Panels	Size of Large Panels in./mm	Small Panel	Number of Small Panels	Size of Small Panels in./mm
A72XD3EQ18FTCLPG	72.12 x 100.75 x 18.12 1832 x 2559 x 460	Gray	114.75 2915	0	A72PM66	1	60.00 x 60.00 1524 x 1524	A72PM34	1	60.00 x 33.75 1524 x 705
A72XD3EQ18FTCLP	72.12 x 100.75 x 18.12 1832 x 2559 x 460	White	114.75 2915	0	A72PM66	1	60.00 x 60.00 1524 x 1524	A72PM34	1	60.00 x 27.75 1524 x 705
A72XD3EW18FTCLPG	72.12 x 118.75 x 18.12 1832 x 3016 x 460	Gray	132.75 3372	0	A72PM78	1	60.00 x 72.00 1524 x 1829	A72PM40	1	60.00 x 33.75 1524 x 857
A72XD3EW18FTCLP	72.12 x 118.75 x 18.12 1832 x 3016 x 460	White	132.75 3372	0	A72PM78	1	60.00 x 72.00 1524 x 1829	A72PM40	1	60.00 x 33.75 1524 x 857
A84XD3EW18FTCLPG	84.12 x 118.75 x 18.12 2137 x 3016 x 460	Gray	132.75 3372	6.00 152	A84PM78	1	72.00 x 72.00 1829 x 1829	A84PM40	1	72.00 x 33.75 1829 x 857
A84XD3EW18FTCLP	84.12 x 118.75 x 18.12 2137 x 3016 x 460	White	132.75 3372	6.00 152	A84PM78	1	72.00 x 72.00 1829 x 1829	A84PM40	1	72.00 x 33.75 1829 x 857
A84XD3EW24FTCLPG	84.12 x 118.75 x 24.12 2137 x 3016 x 613	Gray	132.75 3372	6.00 152	A84PM78	1	72.00 x 72.00 1829 x 1829	A84PM40	1	72.00 x 33.75 1829 x 857
A84XD3EW24FTCLP	84.12 x 118.75 x 24.12 2137 x 3016 x 613	White	132.75 3372	6.00 152	A84PM78	1	72.00 x 72.00 1829 x 1829	A84PM40	1	72.00 x 33.75 1829 x 857
A90XD3EW24FTCLPG	90.12 x 118.75 x 24.12 2289 x 3016 x 613	Gray	132.75 3372	9.00 229	A90PM78	1	78.00 x 72.00 1981 x 1829	A90PM40	1	78.00 x 33.75 1981 x 857
A90XD3EW24FTCLP	90.12 x 118.75 x 24.12 2289 x 3016 x 613	White	132.75 3372	9.00 229	A90PM78	1	78.00 x 72.00 1981 x 1829	A90PM40	1	78.00 x 33.75 1981 x 857

B dimension is large enclosure without External Disconnect Enclosure.

B2 dimension is overall size including External Disconnect Enclosure.

Purchase panels separately.



87923311

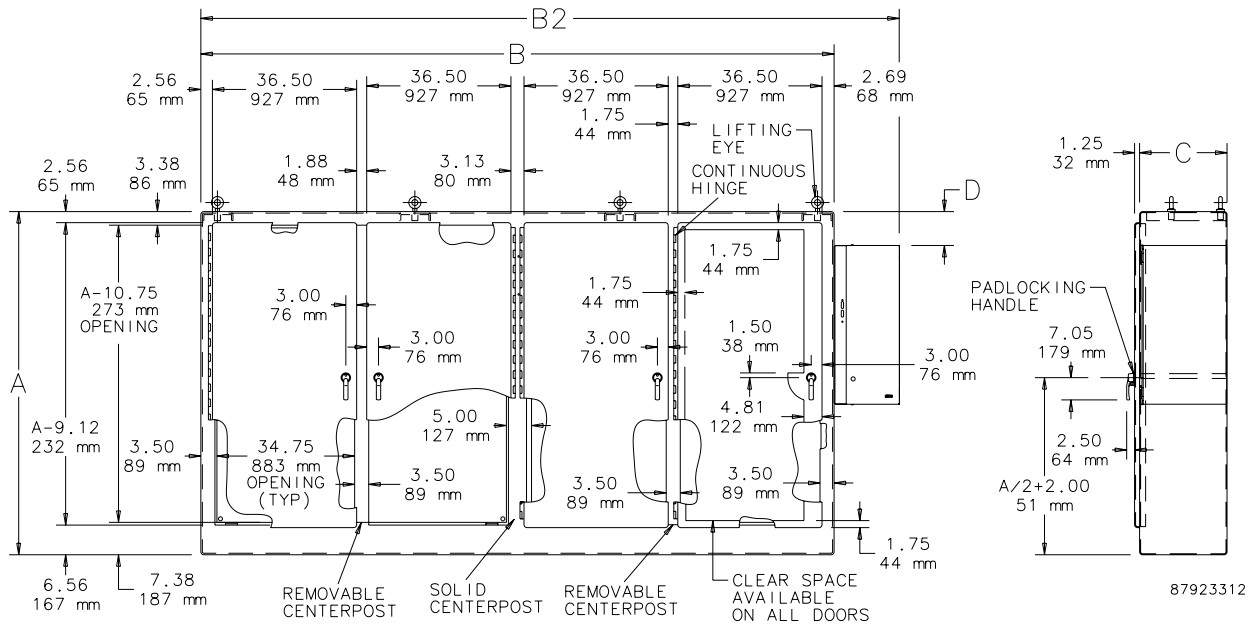
Standard Product **Four-Door Enclosures**

Catalog Number	AxBxC in./mm	Interior Finish	B2 in./mm	D in./mm	Large Panel	Number of Panels	Size of Panels in./mm
A84XD4EW18FTCLPG	84.12 x 158.00 x 18.12 2137 x 4013 x 460	Gray	172.00 4369	6.00 152	A84PM78	2	72.00 x 72.00 1829 x 1829
A84XD4EW18FTCLP	84.12 x 158.00 x 18.12 2137 x 4013 x 460	White	172.00 4369	6.00 152	A84PM78	2	72.00 x 72.00 1829 x 1829
A90XD4EW18FTCLPG	90.12 x 158.00 x 18.12 2289 x 4013 x 460	Gray	172.00 4369	9.00 229	A90PM78	2	78.00 x 72.00 1981 x 1829
A90XD4EW18FTCLP	90.12 x 158.00 x 18.12 2289 x 4013 x 460	White	172.00 4369	9.00 229	A90PM78	2	78.00 x 72.00 1981 x 1829
A84XD4EW24FTCLPG	84.12 x 158.00 x 24.12 2137 x 4013 x 613	Gray	172.00 4369	6.00 152	A84PM78	2	72.00 x 72.00 1829 x 1829
A84XD4EW24FTCLP	84.12 x 158.00 x 24.12 2137 x 4013 x 613	White	172.00 4369	6.00 152	A84PM78	2	72.00 x 72.00 1829 x 1829
A90XD4EW24FTCLPG	90.12 x 158.00 x 24.12 2289 x 4013 x 613	Gray	172.00 4369	9.00 229	A90PM78	2	78.00 x 72.00 1981 x 1829
A90XD4EW24FTCLP	90.12 x 158.00 x 24.12 2289 x 4013 x 613	White	172.00 4369	9.00 229	A90PM78	2	78.00 x 72.00 1981 x 1829

B dimension is large enclosure without External Disconnect Enclosure.

B2 dimension is overall size including External Disconnect Enclosure.

Purchase panels separately.



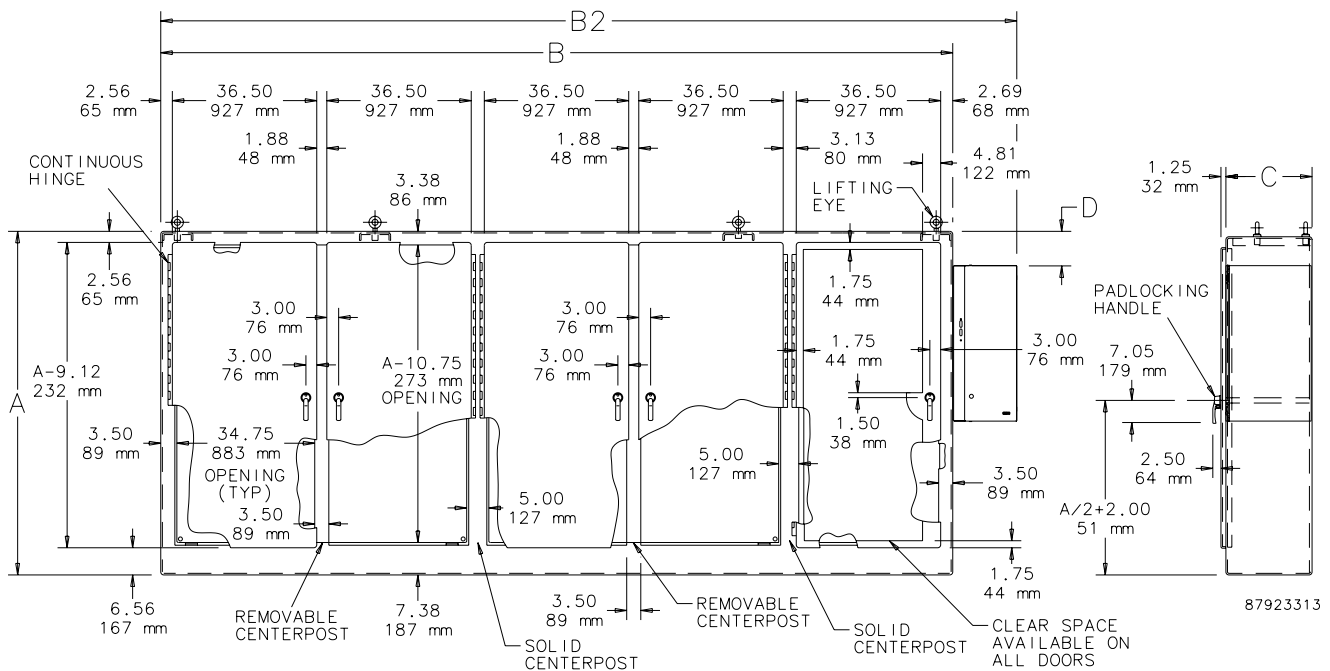
Standard Product **Five-Door Enclosures**

Catalog Number	AxBxC in./mm	Interior Finish	B2 in./mm	D in./mm	Large Panel	Number of Large Panels	Size of Large Panels in./mm	Small Panel	Number of Small Panels	Size of Small Panels in./mm
A84XD5EW18FTCLPG	84.12 x 197.75 x 18.12 2137 x 5023 x 460	Gray	211.00 5359	6.00 152	A84PM78	1	72.00 x 72.00 1829 x 1829	A84PM40	1	72.00 x 33.75 1829 x 857
A84XD5EW18FTCLP	84.12 x 197.75 x 18.12 2137 x 5023 x 460	White	211.00 5359	6.00 152	A84PM78	1	72.00 x 72.00 1829 x 1829	A84PM40	1	72.00 x 33.75 1829 x 857
A90XD5EW18FTCLPG	90.12 x 197.75 x 18.12 2289 x 5023 x 460	Gray	211.00 5359	9.00 229	A90PM78	1	78.00 x 72.00 1981 x 1829	A90PM40	1	78.00 x 33.75 1981 x 857
A90XD5EW18FTCLP	90.12 x 197.75 x 18.12 2289 x 5023 x 460	White	211.00 5359	9.00 229	A90PM78	1	78.00 x 72.00 1981 x 1829	A90PM40	1	78.00 x 33.75 1981 x 857
A84XD5EW24FTCLPG	84.12 x 197.75 x 24.12 2137 x 5023 x 613	Gray	211.00 5359	6.00 152	A84PM78	1	72.00 x 72.00 1829 x 1829	A84PM40	1	72.00 x 33.75 1829 x 857
A84XD5EW24FTCLP	84.12 x 197.75 x 24.12 2137 x 5023 x 613	White	211.00 5359	6.00 152	A84PM78	1	72.00 x 72.00 1829 x 1829	A84PM40	1	72.00 x 33.75 1829 x 857
A90XD5EW24FTCLPG	90.12 x 197.75 x 24.12 2289 x 5023 x 613	Gray	211.00 5359	9.00 229	A90PM78	1	78.00 x 72.00 1981 x 1829	A90PM40	1	78.00 x 33.75 1981 x 857
A90XD5EW24FTCLP	90.12 x 197.75 x 24.12 2289 x 5023 x 613	White	211.00 5359	9.00 229	A90PM78	1	78.00 x 72.00 1981 x 1829	A90PM40	1	78.00 x 33.75 1981 x 857

B dimension is large enclosure without External Disconnect Enclosure.

B2 dimension is overall size including External Disconnect Enclosure.

Purchase panels separately.



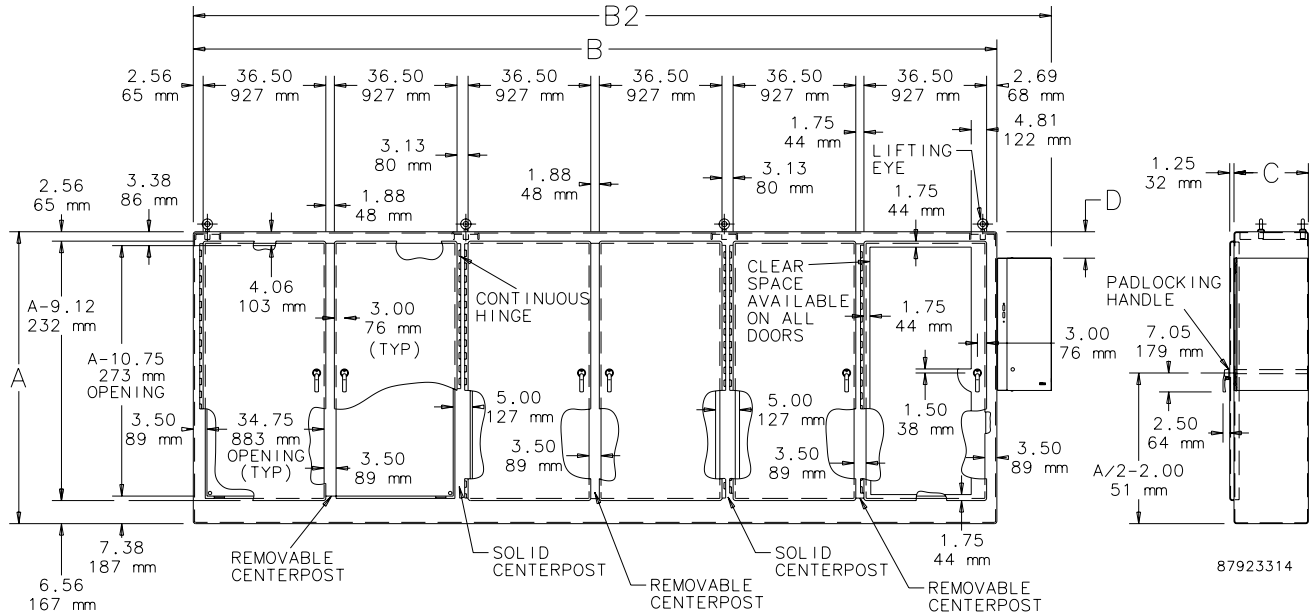
Standard Product **Six-Door Enclosure**

Catalog Number	AxBxC in./mm	Interior Finish	B2 in./mm	D in./mm	Large Panel	Number of Large Panels	Size of Panels in./mm
A84XD6EW24FTCLPG	84.12 x 236.00 x 24.12 2137 x 5994 x 613	Gray	250.00 6350	6.00 152	A84PM78	3	72.00 x 72.00 1829 x 1829
A84XD6EW24FTCLP	84.12 x 236.00 x 24.12 2137 x 5994 x 613	White	250.00 6350	6.00 152	A84PM78	3	72.00 x 72.00 1829 x 1829
A90XD6EW24FTCLPG	90.12 x 236.00 x 24.12 2289 x 5994 x 613	Gray	250.00 6350	9.00 229	A90PM78	3	78.00 x 72.00 1981 x 1829
A90XD6EW24FTCLP	90.12 x 197.75 x 24.12 2289 x 5023 x 613	White	250.00 6350	9.00 229	A90PM78	3	78.00 x 72.00 1981 x 1829

B dimension is large enclosure without External Disconnect Enclosure.

B2 dimension is overall size including External Disconnect Enclosure.

Purchase panels separately.



Optional Terminal Plates

Catalog Number	For
ATBP3060	30 and 60 amp switches
ATBP100	100 amp switches
ATBP200	200 amp switches

Terminal Plates are IP20 rated.



STAINLESS STEEL SEQUESTR PREFERRED-CUTOUT OVERVIEW



APPLICATION

The SEQUESTR enclosures have the standard preferred cutout on the left-hand flange. They accept left-hand 1494V Allen-Bradley variable-depth devices, up to 200A, and left-hand Class 9422 Schneider Square D variable-depth devices, up to 200A.

SEQUESTR cutouts are designed to house the following:
Allen-Bradley Bulletin 1494V DSX left-hand disconnect switches with flange-mount variable depth operating mechanisms and Bulletin 1494V flange-mount variable-depth operating mechanisms for circuit breakers.

These enclosures will NOT accept Allen-Bradley Bulletin 1494F disconnect devices or Bulletin 1494D circuit breaker operators.

Schneider Square D® Class 9422 disconnect switches with flange-mount left-hand variable-depth operating mechanisms and Class 9422 flange-mount left-hand variable-depth operating mechanisms for circuit breakers.

These enclosures will NOT accept Square D Class 9422 bracket-mounted disconnect devices, Class 9422TGI or TG2 devices.

ORDERING

Disconnect switch (or circuit breakers), operating handle and operating mechanism are not furnished with enclosure. Consult the Hoffman Specifier's Guide Technical Information chapter for wire bend information. Consult drawings to match the disconnect device you are using with the correct enclosure size.

A complete assembly consists of:

1. An enclosure
2. Door interlock brackets
3. 3-point door latching system
4. Instructions to locate and install disconnect
5. Grounding hardware kit
6. Conductive panel in SEQUESTR External Disconnect Enclosure

STAINLESS STEEL SEQUESTER EXTERNAL DISCONNECT ENCLOSURE, TYPE 4X



- Maintains UL Type 4X rating
- Provision for pass-through power into the main enclosure—blank plate for customer modification
- Preferred disconnect cutout
- Quarter-turn slotted latches and 3-point latch
- Removable door with hidden hinges
- Bonding provision on door
- Conductive back panel included
- Installation hardware and templates included

FINISH

- Smooth #4 brushed finish
- Included panel has conductive finish

ACCESSORIES

See also *Accessories*.
Industrial Corrosion Inhibitors
Touch-Up Paint

BULLETIN: A70DS

INDUSTRY STANDARDS

UL 508A Listed; Type 3R, 4, 4X, 12; File No. E61997
cUL Listed per CSA C22.2 No. 94; Type 4, 4X, 12; File No. E61997

NEMA/EEMAC Type 3R, 4, 4X, 12
CSA File No. 42186: Type 3R, 4, 4X, 12
IEC 60529, IP66

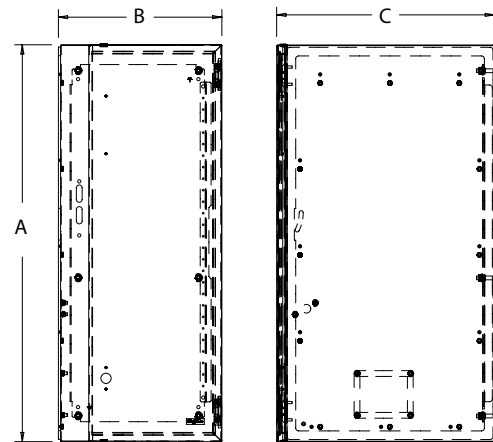
APPLICATION

Retrofit disconnect enclosures to isolate incoming power and help mitigate arc flash occurrences by moving the disconnect switch to the SEQUESTER Enclosure. Power is passed-through to the main enclosure.

Designed to fit the A28S4 free-stand enclosures, the SEQUESTER is sized for use with up to 200A disconnect switches.

SPECIFICATIONS

- 14 gauge 304 steel
- Seams continuously welded and ground smooth
- Hinged on right side
- Interlocks with doors of main control enclosure when the disconnect switch is powered ON



87923295

Standard Product

Catalog Number	AxBxC in.	AxBxC mm
AXD18SS	34.45 x 14.00 x 18.12	875 x 356 x 460
AXD20SS	34.45 x 14.00 x 20.12	875 x 356 x 511
AXD24SS	34.45 x 14.00 x 24.12	875 x 356 x 613

Optional Terminal Plates

Catalog Number	For
ATBP3060	30 and 60 amp switches
ATPB100	100 amp switches
ATPB200	200 amp switches

Optional Replacement Conductive Panel

Catalog	Panel Size (in.)	Panel Size (mm)	Description
A31P126	31.00 x 12.16	787 x 309	16 gauge



STAINLESS STEEL SEQUESTR EXTERNAL DISCONNECT PACKAGE, TYPE 4X



SECFICATIONS

- A28S4 base enclosure, 12 gauge Type 304 stainless steel
- A70DS SEQUESTR external disconnect enclosure, 14 gauge Type 304 stainless steel
- Seams continuously welded and ground smooth
- Interlocks doors of main control cabinet when disconnect switch is powered ON
- Mechanical interlock on main control enclosure activated by master door, preventing slave door from being opened first
- Provision for pass-through power into the main enclosure
- Preferred Disconnect cutout
- Quarter-turn, slotted latches on SEQUESTR Enclosure
- Heavy-duty 3-point latching mechanism operated by Type 316L stainless steel POWERGLIDE padlocking handle on all doors
- Heavy-duty continuous hinges
- Grounding studs on body
- Bonding provision on door
- Conductive back panel included in SEQUESTR External Disconnect Enclosure
- Optional back panel for main control cabinet for maximum ordering flexibility
- SEQUESTR External Disconnect Enclosure is shipped unattached for easy disconnect installation

FINISH

Stainless steel enclosures are unpainted. Sides and body have smooth #4 brushed finish. Optional white mild steel panels or conductive panels.

ACCESSORIES

Electric Heater
 Compact Cooling Fans
 Floor Stand Kit
 PANELITE Enclosure Lights

MODIFICATION AND CUSTOMIZATION

Hoffman excels at modifying and customizing products to your specifications. Contact your local Hoffman sales office or distributor for complete information.

BULLETIN: A28SX

INDUSTRY STANDARDS

UL 508A Listed 508; Type 3R, 4, 4X, 12; File No. E61997
 cUL Listed per CSA C22.2 No. 94; Type 3R, 4, 4X, 12; File No. E61997

NEMA/EEMAC Type 3R, Type 4, 4X, 12
 CSA File No. 42186: Type 4, 4X, 12
 IEC 60529, IP66
 Meets NEMA Type 3RX requirements

APPLICATION

The Stainless Steel SEQUESTR External Disconnect Enclosure package helps mitigate arc flash occurrences when working on interior components by isolating incoming power from the main enclosure. Manufactured from 304 stainless steel, it provides protection from non-corrosive or mildly corrosive elements in both indoor and outdoor environments. A package includes a main enclosure and a SEQUESTR box. SEQUESTR boxes can be ordered separately to retrofit existing enclosures. The disconnect switch and fuse block/circuit breaker are mounted in the external enclosures, with terminal connections to bring power to the main enclosure.

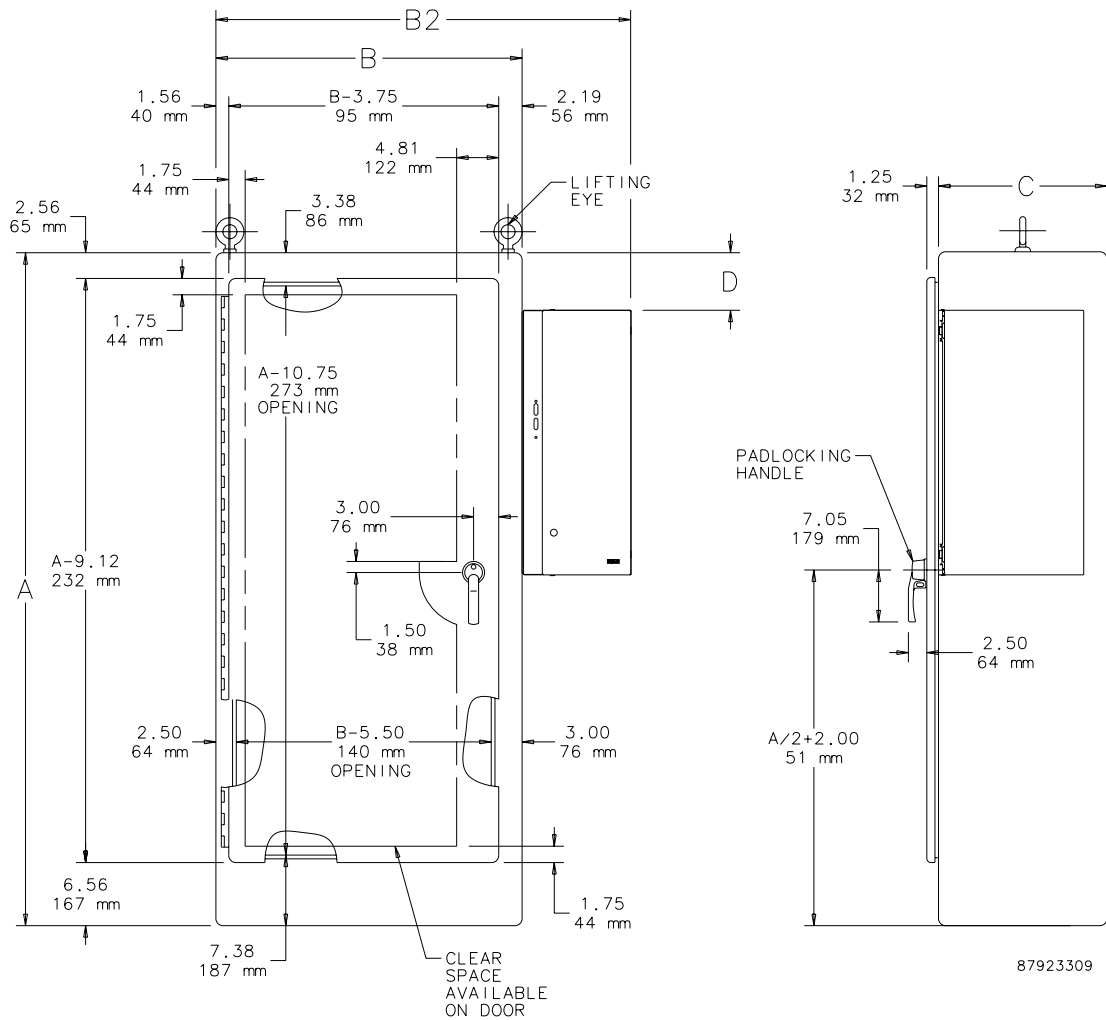
Standard Product **One-Door Enclosure**

Catalog Number	AxBxC in./mm	B2 in./mm	D in./mm	Panel	Conductive Panel	Panel size in./mm
A72XD2818SSFTCLP	72.12 x 28.25 x 18.12 1832 x 718 x 460	42.25 1073	0 0	A72PM28	A72PM28G	60.00 x 21.75 1524 x 552
A72XD3418SSFTCLP	72.12 x 34.25 x 18.12 1832 x 870 x 460	48.25 1226	0 0	A72PM34	A72PM34G	60.00 x 27.75 1524 x 705
A72XD4018SSFTCLP	72.12 x 40.25 x 18.12 1832 x 1022 x 460	54.25 1378	0 0	A72PM40	A72PM40G	60.00 x 33.75 1524 x 857
A84XD4018SSFTCLP	84.12 x 40.25 x 18.12 2137 x 1022 x 460	54.25 1378	6.00 152	A84PM40	A84PM40G	72.00 x 33.75 1829 x 857
A90XD4018SSFTCLP	90.12 x 40.25 x 18.12 2289 x 1022 x 460	54.25 1378	9.00 229	A90PM40	A90PM40G	78.00 x 33.75 1981 x 857
A90XD4020SSFTCLP	90.12 x 40.25 x 20.12 2289 x 1022 x 511	54.25 1378	9.00 229	A90PM40	A90PM40G	78.00 x 33.75 1981 x 857
A84XD4024SSFTCLP	84.12 x 40.25 x 24.12 2137 x 1022 x 613	54.25 1378	6.00 152	A84PM40	A84PM40G	72.00 x 33.75 1829 x 857
A90XD4024SSFTCLP	90.12 x 40.25 x 24.12 2289 x 1022 x 613	54.25 1378	9.00 229	A90PM40	A90PM40G	78.00 x 33.75 1981 x 857

B dimension is large enclosure without External Disconnect Enclosure.

B2 dimension is overall size including External Disconnect Enclosure.

Purchase panels separately.



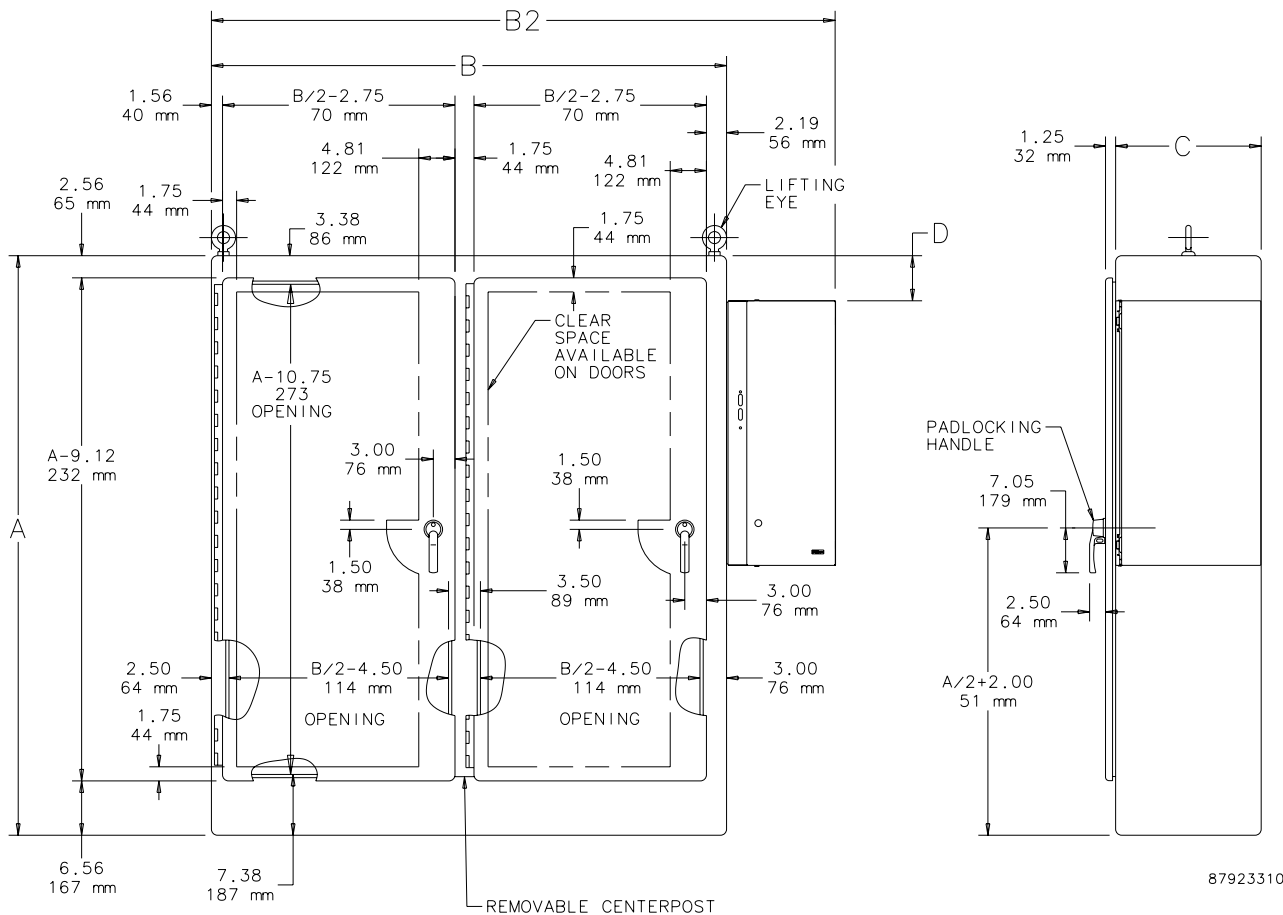
Standard Product **Two-Door Enclosure**

Catalog Number	AxBxC in./mm	B2 in./mm	D in./mm	Panel	Conductive Panel	Panel Size in./mm
A72XD5418SSFTCLP	72.12 x 54.50 x 18.12 1832 x 1384 x 460	68.50 1740	0 0	A72PM54	A72PM54G	60.00 x 48.00 1524 x 1219
A72XD6618SSFTCLP	72.12 x 66.50 x 18.12 1832 x 1689 x 460	80.50 2045	0 0	A72PM66	A72PM66G	60.00 x 60.00 1524 x 1524
A72XD7818SSFTCLP	72.12 x 78.50 x 18.12 1832 x 1994 x 460	92.50 2350	0 0	A72PM78	A72PM78G	60.00 x 72.00 1524 x 1829
A84XD7818SSFTCLP	84.12 x 78.50 x 18.12 2137 x 1994 x 460	92.50 2350	6.00 152	A84PM78	A84PM78G	72.00 x 72.00 1829 x 1829
A90XD7818SSFTCLP	90.12 x 78.50 x 18.12 2289 x 1994 x 460	92.50 2350	9.00 229	A90PM78	A90PM78G	78.00 x 72.00 1981 x 1829
A90XD7820SSFTCLP	90.12 x 78.50 x 20.12 2289 x 1994 x 511	92.50 2350	9.00 229	A90PM78	A90PM78G	78.00 x 72.00 1981 x 1829
A72XD7824SSFTCLP	72.12 x 78.50 x 24.12 1832 x 1994 x 613	92.50 2350	0 0	A72PM78	A72PM78G	60.00 x 72.00 1524 x 1829
A84XD7824SSFTCLP	84.12 x 78.50 x 24.12 2137 x 1994 x 613	92.50 2350	6.00 152	A84PM78	A84PM78G	72.00 x 72.00 1829 x 1829
A90XD7824SSFTCLP	90.12 x 78.50 x 24.12 2289 x 1994 x 613	92.50 2350	9.00 229	A90PM78	A90PM78G	78.00 x 72.00 1981 x 1829

B dimension is large enclosure without External Disconnect Enclosure.

B2 dimension is overall size including External Disconnect Enclosure.

Purchase panels separately.



87923310

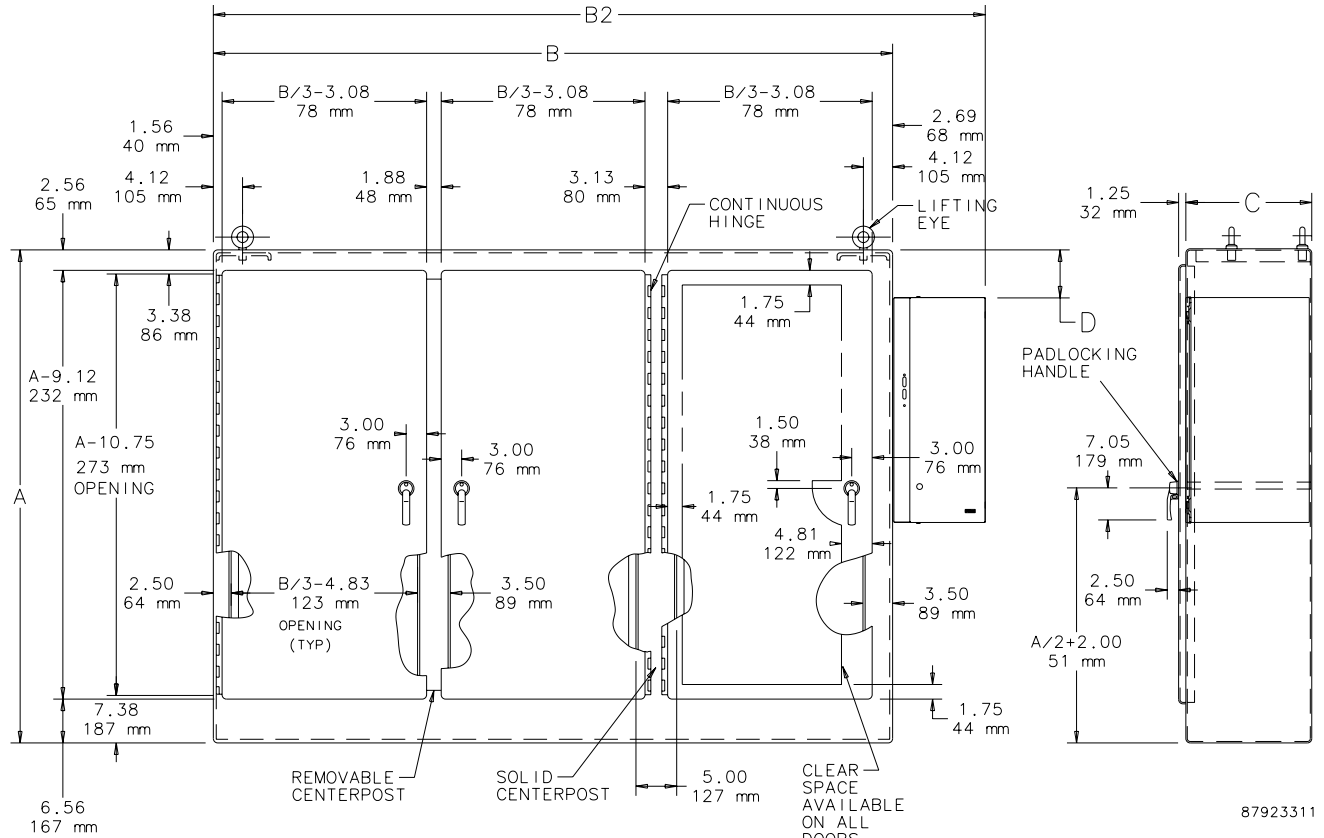
Standard Product **Three-Door Enclosure**

Catalog Number	AxBxC in./mm	B2 in./mm	D in./mm	Large Panel/Small Panel	Large Conductive Panel/Small Conductive Panel	Large Panel Size in./mm	Small Panel Size in./mm
A72XD3EQ18SSFCLCP	72.12 x 100.75 x 18.12 1832 x 2559 x 460	114.75 2915	0	A72PM66/A72PM34	A72PM66/A72PM34G	60.00 x 60.00 1524 x 1524	60.00 x 27.75 1524 x 705
A72XD3EW18SSFCLCP	72.12 x 118.75 x 18.12 1832 x 3016 x 460	132.75 3372	0	A72PM78/A72PM40	A72PM78/A72PM40G	60.00 x 72.00 1524 x 1829	60.00 x 33.75 1524 x 857
A84XD3EW18SSFCLCP	84.12 x 118.75 x 18.12 2137 x 3016 x 460	132.75 3372	6.00 152	A84PM78/A84PM40	A84PM78/A84PM40G	72.00 x 72.00 1829 x 1829	72.00 x 33.75 1829 x 857
A84XD3EW24SSFCLCP	84.12 x 118.75 x 24.12 2137 x 3016 x 613	132.75 3372	6.00 152	A84PM78/A84PM40	A84PM78/A84PM40G	72.00 x 72.00 1829 x 1829	72.00 x 33.75 1829 x 857
A90XD3EW24SSFCLCP	90.12 x 118.75 x 24.12 2289 x 3016 x 613	132.75 3372	9.00 229	A90PM78/A90PM40	A90PM78/A90PM40G	78.00 x 72.00 1981 x 1829	78.00 x 33.75 1981 x 857

B dimension is large enclosure without External Disconnect Enclosure.

B2 dimension is overall size including External Disconnect Enclosure.

Purchase panels separately.



Optional Terminal Plates

Catalog Numbers	For
STBP3060	30 and 60 amp switches
ATBP100	100 amp switches
ATBP200	200 amp switches

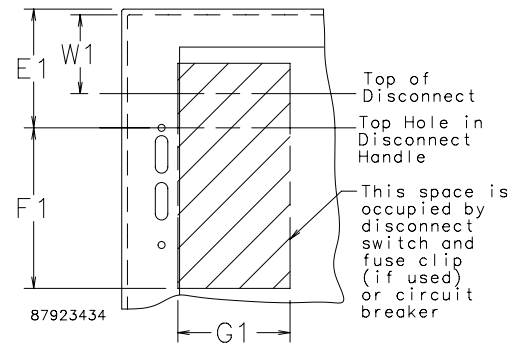


DISCONNECT MOUNTING SPACE

Disconnects are located by dimension E1. Wiring space W1 is available when disconnect is installed in the enclosure. See the Hoffman Specifier's Guide Technical Information chapter for E1 Spacing by Enclosure Height for various disconnect switch manufacturers.

Refer to **National Electrical Code® 2008** article 430.10(B) for wiring space required for line side conductors to be connected to disconnect. **Verify your application to determine if wiring space is adequate.**

Consult Space Occupied by Disconnect drawing to determine whether the disconnect device you are using will fit the enclosure size you have selected.

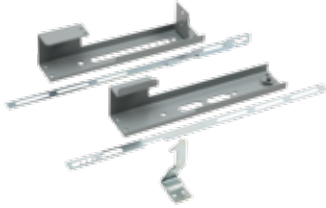


Consult disconnect manufacturer for F1 and G1 dimensions.

Notes



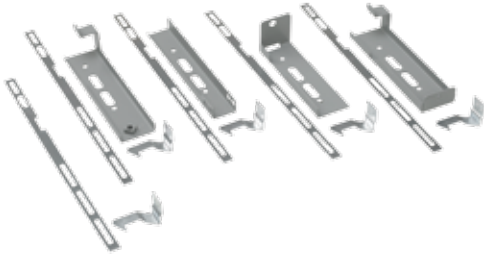
OPERATOR ADAPTERS FOR UNIVERSAL CUTOUTS



Used on all Hoffman Type 4 and 12 disconnect enclosures with a universal flange cutout. An operator adapter is required to install a disconnect in Bulletin A21, A28, A34 and A4L3D Hoffman enclosures that have a universal cutout. Operator adapters include an adapter plate and additional components needed to interlock the master door with the disconnect operating mechanism. Installation instructions are included with each operator adapter. Each brand and type of disconnect requires a different operator adapter. Be sure to select the correct operator adapter and enclosure for the disconnect device selected. A 400A (or greater) disconnect switch and 600A (or greater) circuit breaker require the large handle. A 200A (or less) disconnect switch and 400A (or less) circuit breaker require a small handle.

Old Catalog Number	New Catalog Number	Brand and Type of Operator
A21ABA	ABF	Allen-Bradley 1494F & 1494D Fixed-Depth Mechanisms
A21ABVA	ABS	Allen-Bradley 1494V Variable-Depth; Allen-Bradley 140U, 140G, 1494C & 194RC Cable-Operated; Small Handle
A21ABVA	ABL	Allen-Bradley 1494V Variable-Depth; Allen-Bradley 140U, 140G, 1494C & 194RC Cable-Operated; Large Handle
A21ITE	SITES	Siemens I-T-E Max-Flex ; Small Handle
A21ITE	SITEL	Siemens I-T-E Max-Flex ; Large Handle
A21ITE	ABBSC	ABB Controls Cable S3-S5
A21ITE	ABBLC	ABB Controls Cable S6 & S7
A21CHVA	ABBSV	ABB Variable-Depth, S1, S2, T5 Cable Size
A21CHVA	ECHV	Eaton Cutler-Hammer C361, C371 Variable Depth
A21CHVA	ECHC	Eaton Cutler-Hammer C371 Flex Shaft Cable-Operated
A21WHA	Discontinued	Eaton Cutler-Hammer/Westinghouse SM mechanisms
A21WHAMTA	WAMT	Eaton Cutler-Hammer/Westinghouse Below Handle AMT & Flex-Cable For F Frame Circuit Breakers
A21WHAMTA	WAMTF	Eaton Cutler-Hammer/Westinghouse Flex-Cable For Circuit Breakers Except For F Frame
A21GETDA	GEV	General Electric STDA Variable-Depth
A21GETDA	GEC	General Electric Flexible Cable-Operated
A21SDA	SQDV	Square D® Class 9422 Variable-Depth
A21SDA	SQDC	Square D® Class 9422 Flex-Cable Mechanisms

OPERATOR ADAPTERS FOR PREFERRED CUTOUTS



An operator adapter is required to install a disconnect in Bulletin A21S4, A28S4 and WS2D Hoffman enclosures that have a preferred cutout. Operator adapters include components needed to interlock the master door with the disconnect operating mechanism. Panel drilling and installation instructions are furnished with each operator adapter.

Each brand and type of disconnect requires a different operator adapter. Be sure to select the proper operator adapter and enclosure for the disconnect that you have selected.

BULLETIN: A28Y

Catalog Number	Brand and Type of Operator
APCABVA	Allen-Bradley 1494V variable-depth Allen-Bradley 140U, 140G and 1494C cable-operated mechanisms
APCCHVA	Eaton Cutler-Hammer C361, C371 and C371 Flex Shaft
APCGETDA	General Electric STDA
APCITE	Siemens I-T-E Max-Flex
APCSDA	Schneider Square D® Class 9422 variable-depth and cable mechanisms

BLANK ADAPTER PLATES, MILD STEEL



Used to cover flange cutouts in disconnect enclosures when disconnects are not installed. This greatly increases the versatility of disconnect enclosures, enabling them to also be used as regular Type 12 enclosures. If the UPB model is used, the disconnect enclosure can be used as a regular Type 4 enclosure. Hoffman adapter plates are made from heavy gauge steel and have an oil-resistant gasket to maintain a dust-tight and oil-tight seal. Mounting hardware and instructions are included. Door hardware is not furnished with blank adapter plate. Door hardware must be ordered separately from the disconnect manufacturer when using catalog numbers A22BAP on Bulletin A22 Enclosures and A3456BAP on Bulletin A25 Enclosures.

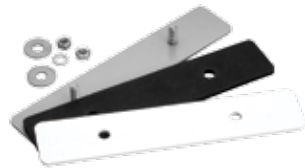
BULLETIN: A80

Catalog Number	Old Catalog Number	For Mild Steel Enclosure Bulletin Number
UBP	A21BAP	A21, A28, A4L3D, A34 (Universal Cutouts)
A22BAP	---	A22 only
A3456BAP	---	A19, CW1, A25, A 26 (Preferred Cutouts)

A22BAP will fit all Bulletin A22 enclosures except A48AB3812A2LP and A60AB3812A2LP.

A3456BAP will fit all Bulletin A25 enclosures except A60SA3812A24LP.

BLANK ADAPTER PLATES, STAINLESS STEEL



Used to cover flange cutouts in disconnect enclosures when disconnects are not installed. Hoffman adapter plates are made from heavy gauge Type 304 stainless steel and have an oil-resistant gasket to maintain the dust-tight and oil-tight qualities of the enclosure. The plates have a #4 brushed finish. All necessary mounting hardware and instructions are included.

BULLETIN: A80

Catalog Number	For Enclosure Bulletin Number
A2128BAPSS	A19S, CWS, A21S4, A28S4 and WS2D with preferred cutouts

ENCLOSURE STABILIZERS



Helps prevent injury to workers by stabilizing floor-mount enclosures which are not bolted down. To install, slip the stabilizer under the floor stand and tighten two thumb screws. Made from .19-in. (5-mm) steel plate. Bright orange finish.

BULLETIN: A80

Catalog Number	Description
AENST	Two stabilizers

